

[54] SURGEON'S CHAIR WITH BACKREST

[76] Inventor: Milton O. Carlin, 4115 S. Zunis, Tulsa, Okla. 74105

[\*\*] Term: 14 Years

[21] Appl. No.: 369,504

[22] Filed: Apr. 19, 1982

[52] U.S. Cl. .... D6/354; D6/365

[58] Field of Search ..... D6/20, 26, 27, 30, 31, D6/35, 47, 48, 78

[56] References Cited

U.S. PATENT DOCUMENTS

D. 127,807	6/1941	Lowther	.....	D6/26
D. 135,778	6/1943	Wood	.....	D6/26
D. 137,214	2/1944	Koenig	.....	D6/30
D. 140,478	2/1945	Jones	.....	D6/30

D. 142,239	8/1945	Jones	.....	D6/30
D. 156,357	12/1949	Marti	.....	D6/26 X
D. 229,880	1/1974	Keith	.....	D6/26
D. 261,450	10/1981	Jenkins	.....	D6/26

Primary Examiner—Bruce W. Dunkins  
Attorney, Agent, or Firm—Head, Johnson & Stevenson

[57] CLAIM

The ornamental design for a surgeon's chair with backrest, substantially as shown.

DESCRIPTION

FIG. 1 is a front elevational view of the surgeon's chair with backrest showing my design.

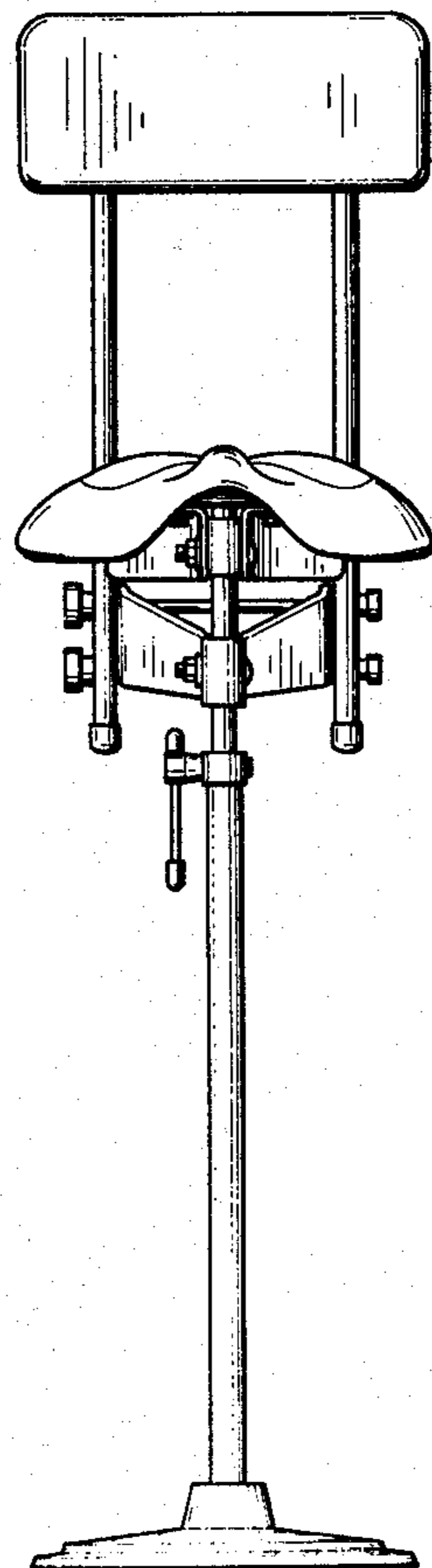
FIG. 2 is an elevational view of one side.

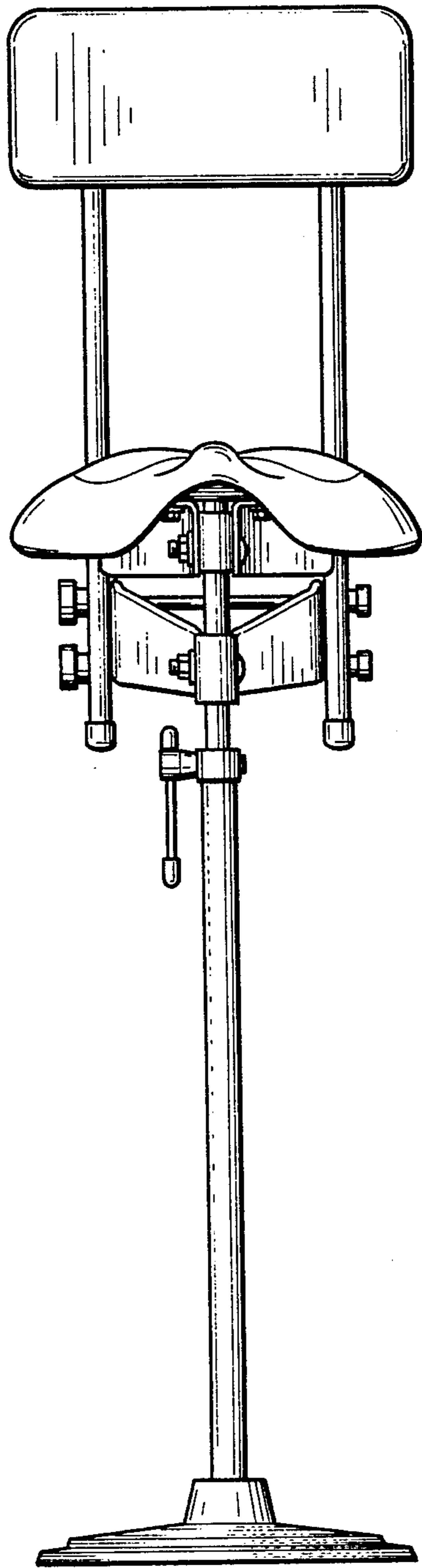
FIG. 3 is an elevational view of the other side.

FIG. 4 is a rear elevational view.

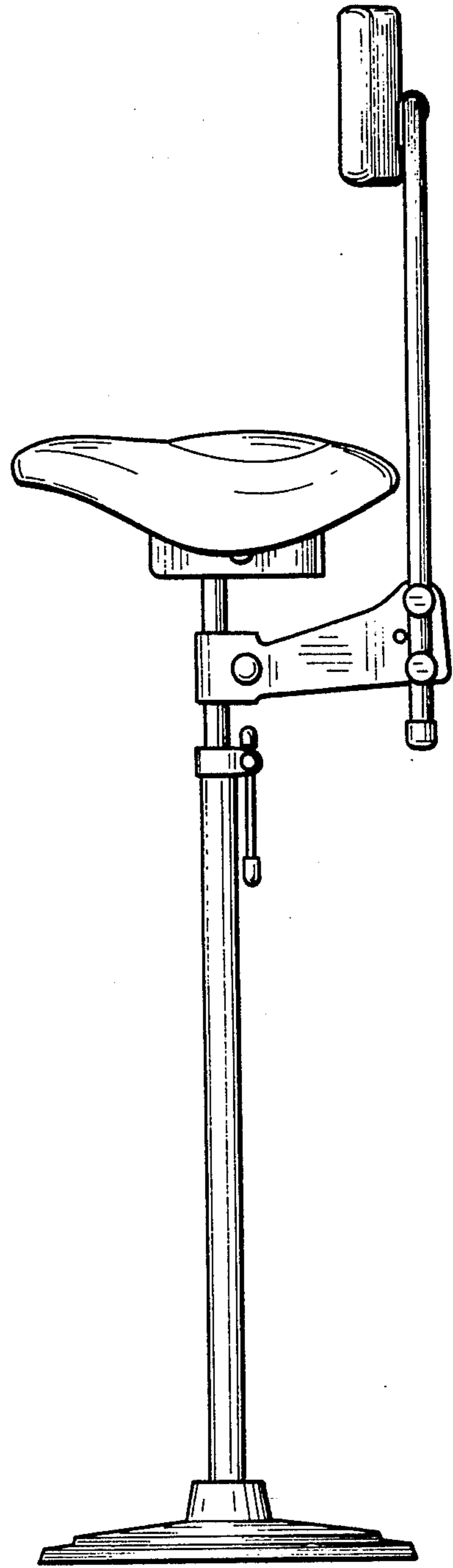
FIG. 5 is a top plan view.

FIG. 6 is a bottom plan view.

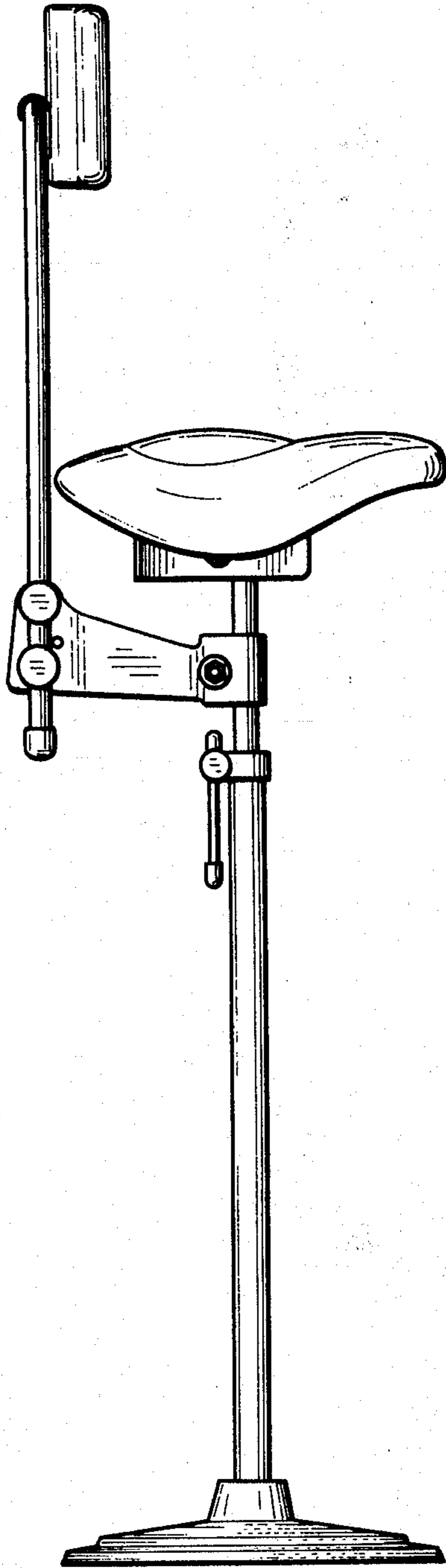




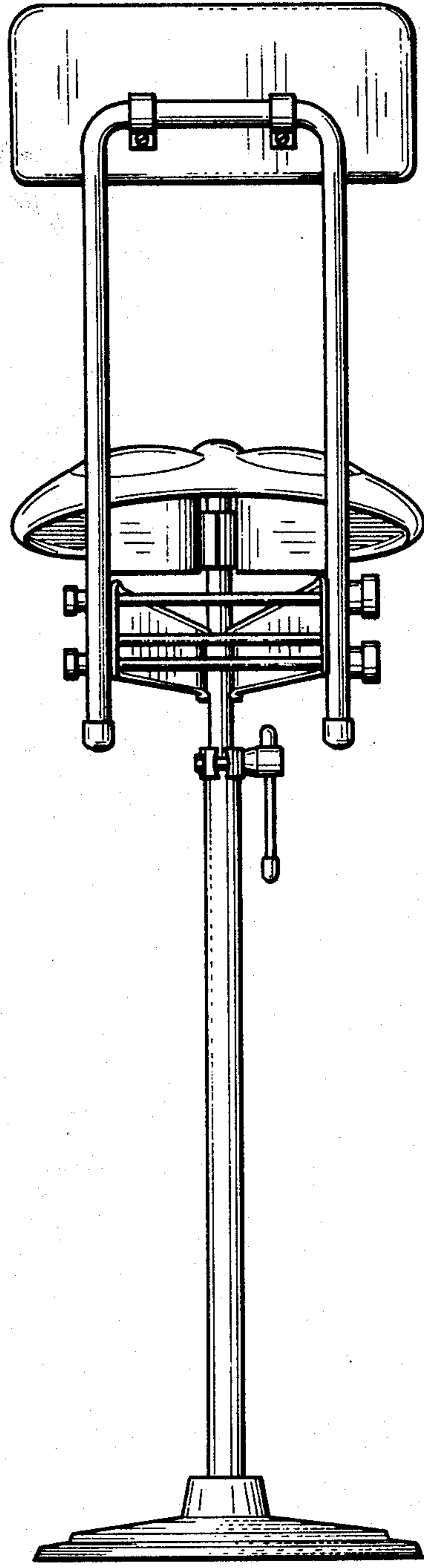
*Fig. 1*



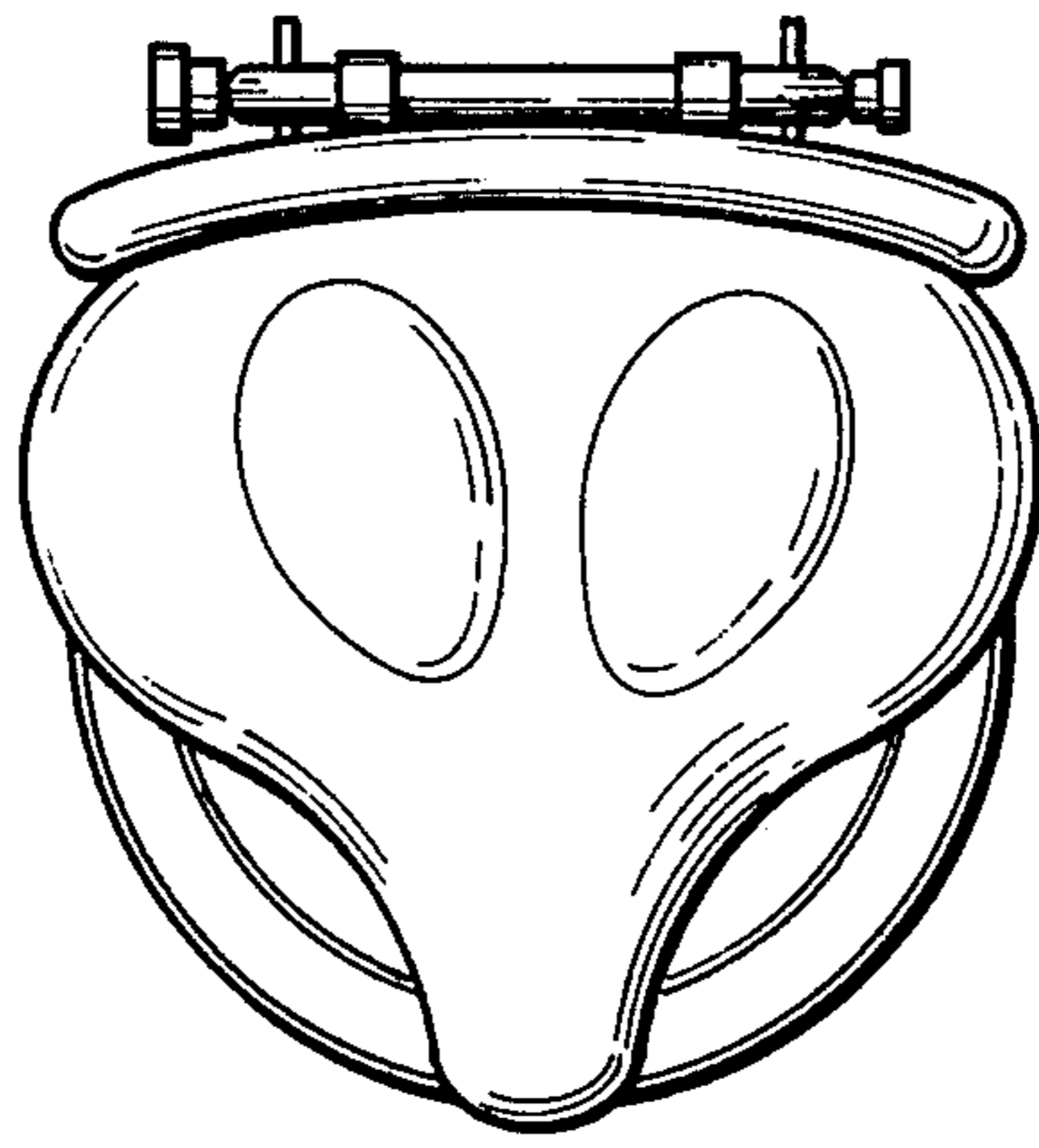
*Fig. 2*



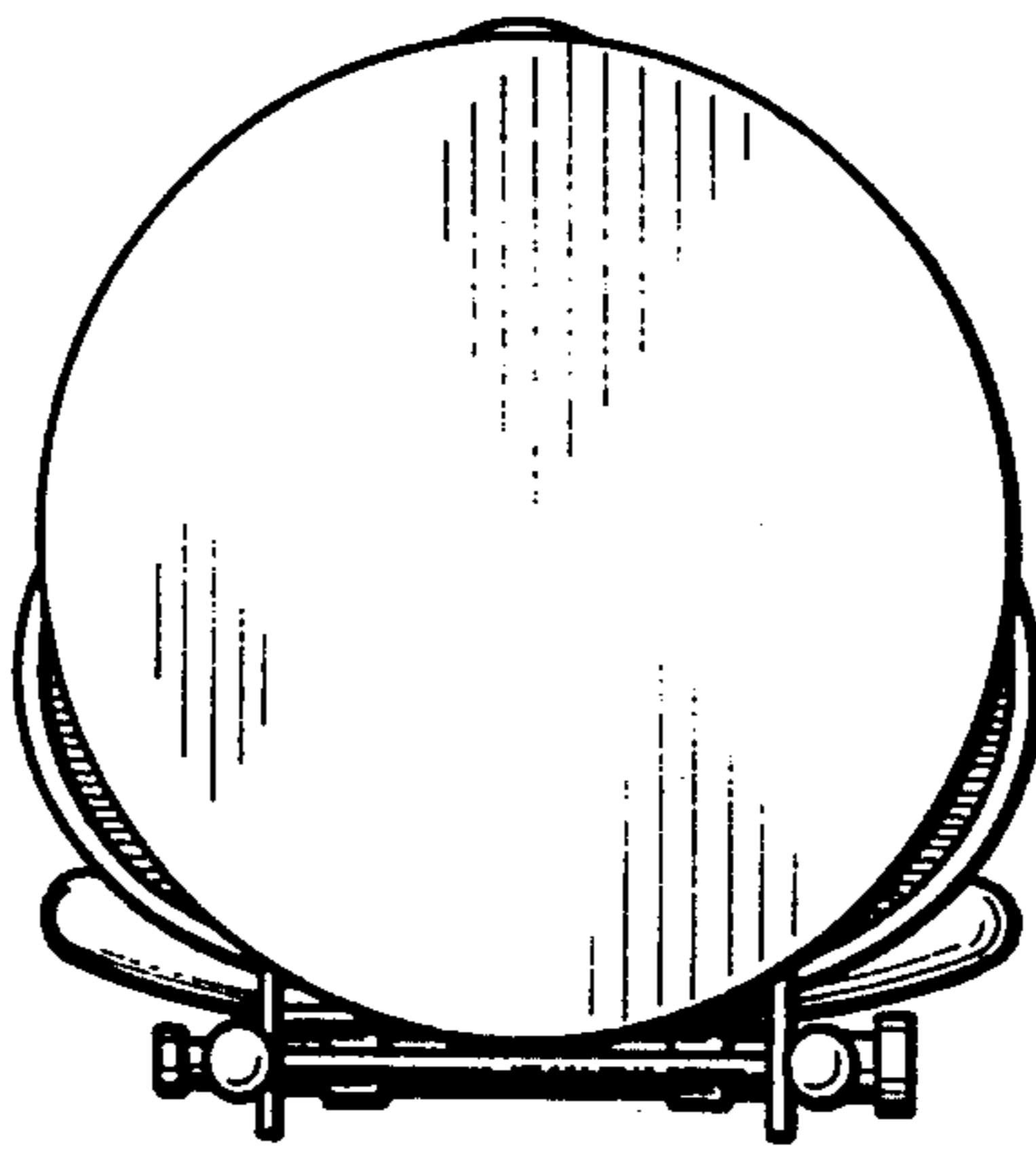
*Fig. 3*



*Fig. 4*



*Fig. 5*



*Fig. 6*