

[54] POMPON MAKER OR THE LIKE

[75] Inventor: Hidekazu Okada, Ashiya, Japan

[73] Assignee: Clover Mfg. Co., Ltd., Osaka, Japan

[**] Term: 14 Years

[21] Appl. No.: 335,463

[22] Filed: Dec. 29, 1981

[52] U.S. Cl. D3/26

[58] Field of Search D3/18, 26, 20; 28/147; 223/46; 428/4

[56] References Cited

U.S. PATENT DOCUMENTS

2,799,956 7/1957 Cirolì 223/46
3,223,299 12/1965 Kerrigan et al. 223/46

FOREIGN PATENT DOCUMENTS

338573 3/1936 Italy 28/147

268012 6/1964 Netherlands 223/46

Primary Examiner—Bruce W. Dunkins

Assistant Examiner—Carmen H. Vales

Attorney, Agent, or Firm—Birch, Stewart, Kolasch & Birch

[57] CLAIM

The ornamental design for pompon maker or the like, as shown.

DESCRIPTION

FIG. 1 is a front elevational view of a pompon maker or the like showing my new design; FIG. 2 is a right side elevational view thereof; FIG. 3 is a left side elevational view thereof; FIG. 4 is a top plan view thereof; FIG. 5 is a bottom plan view thereof; FIG. 6 is a rear elevational view thereof; FIG. 7 is a sectional view taken along line 7—7 of FIG. 2; and FIG. 8 is an exploded perspective view thereof.

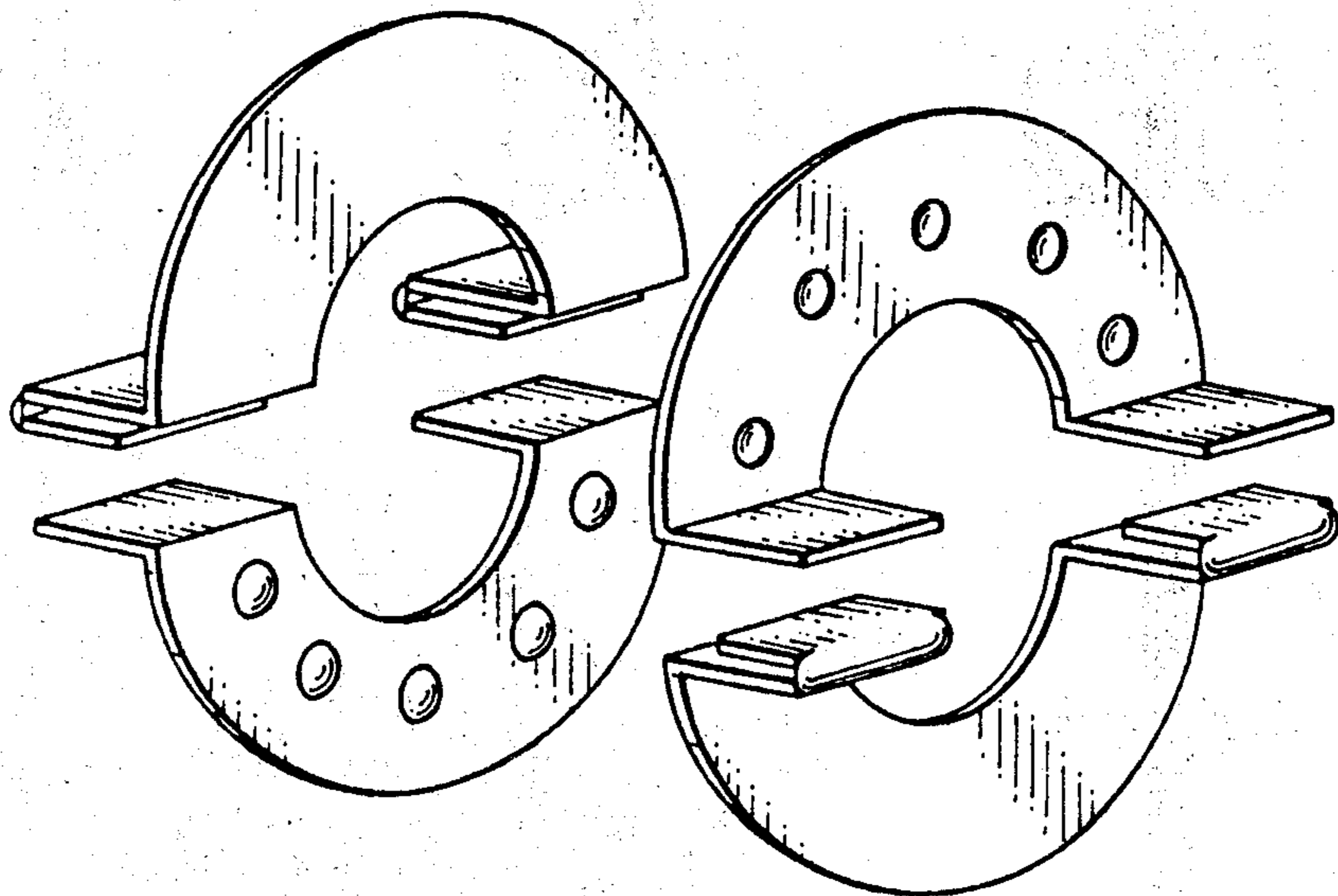


FIG. 3

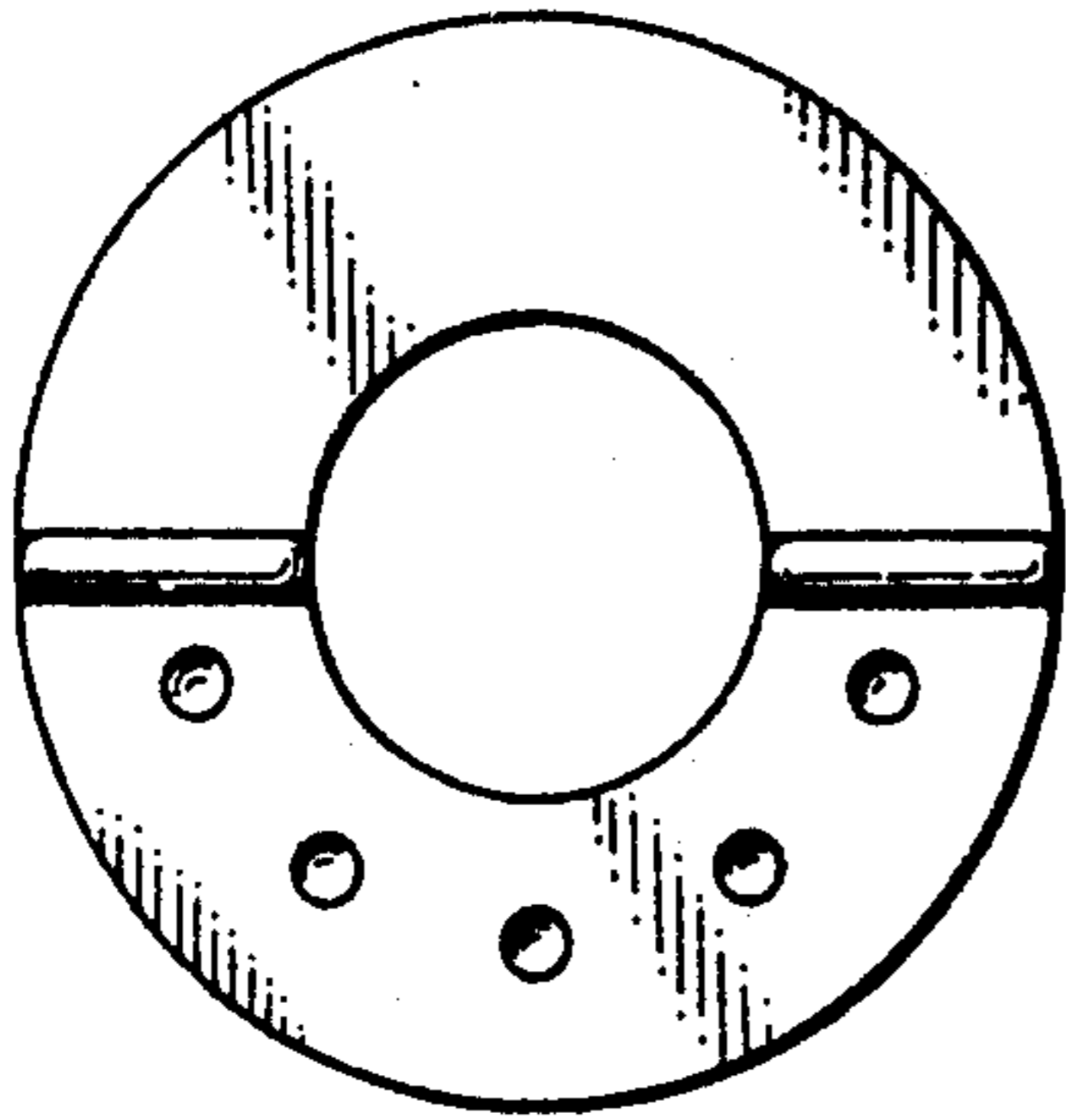


FIG. 1

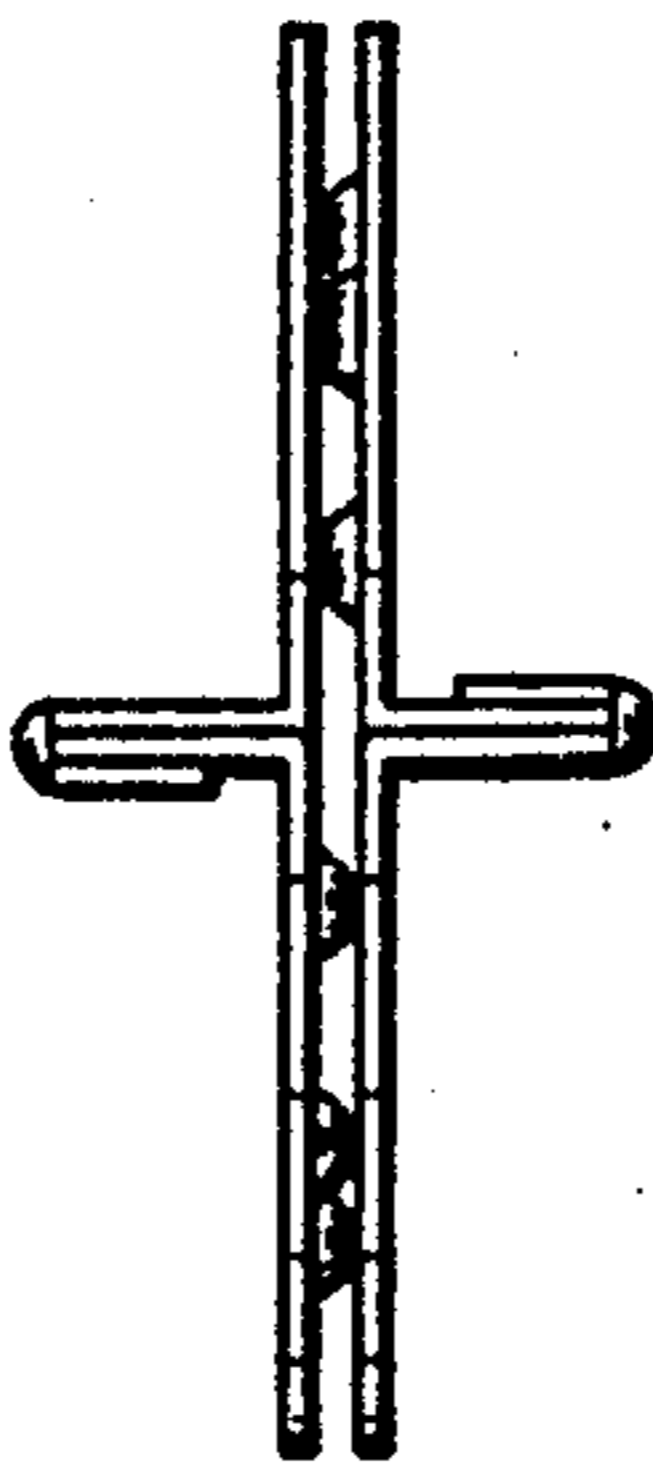
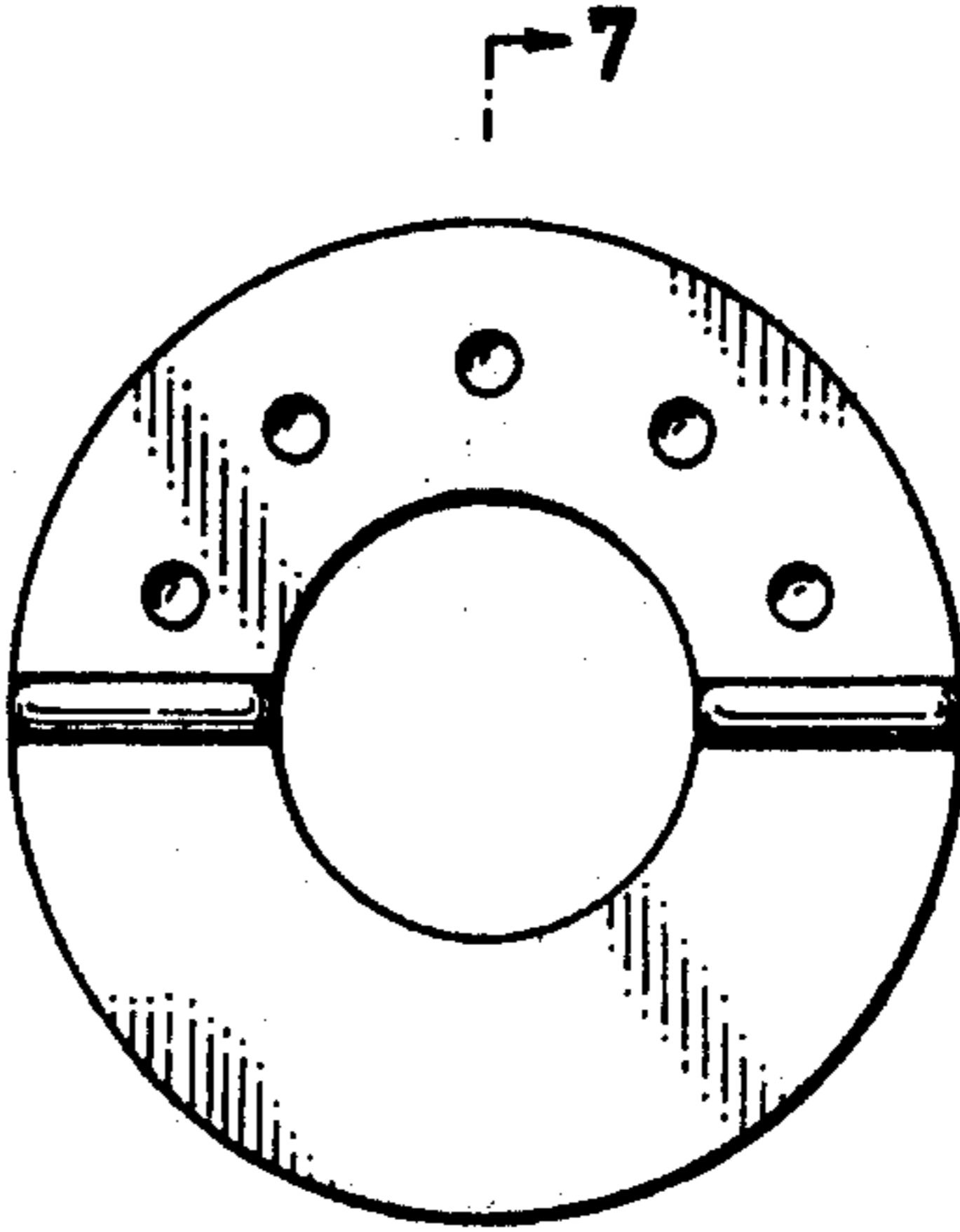


FIG. 2



7

7

FIG. 5

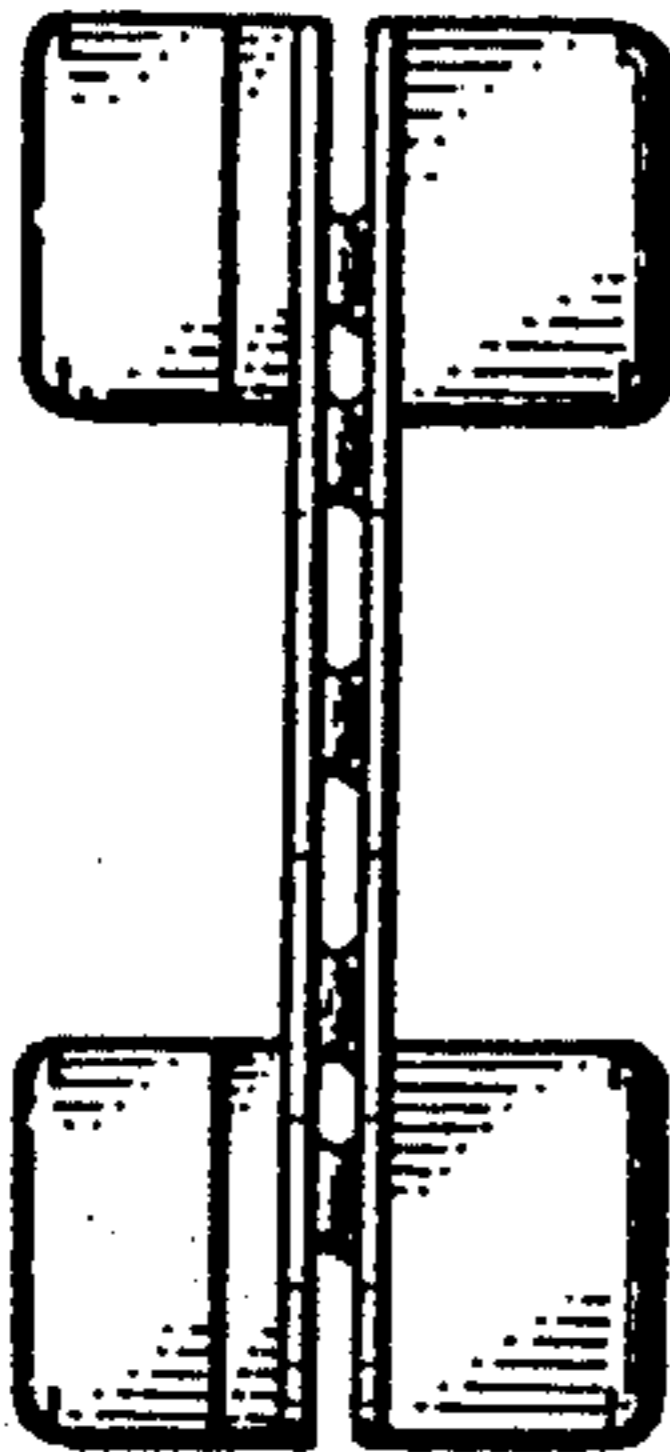


FIG. 4

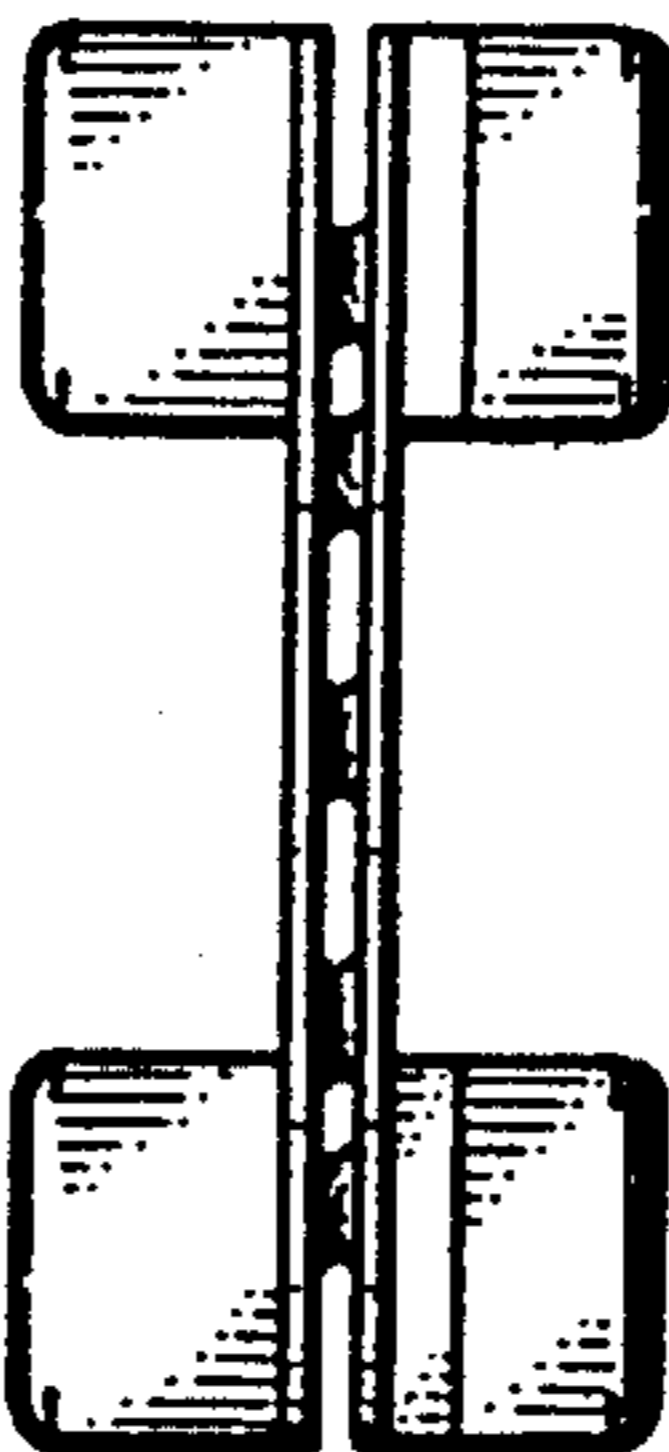


FIG. 6

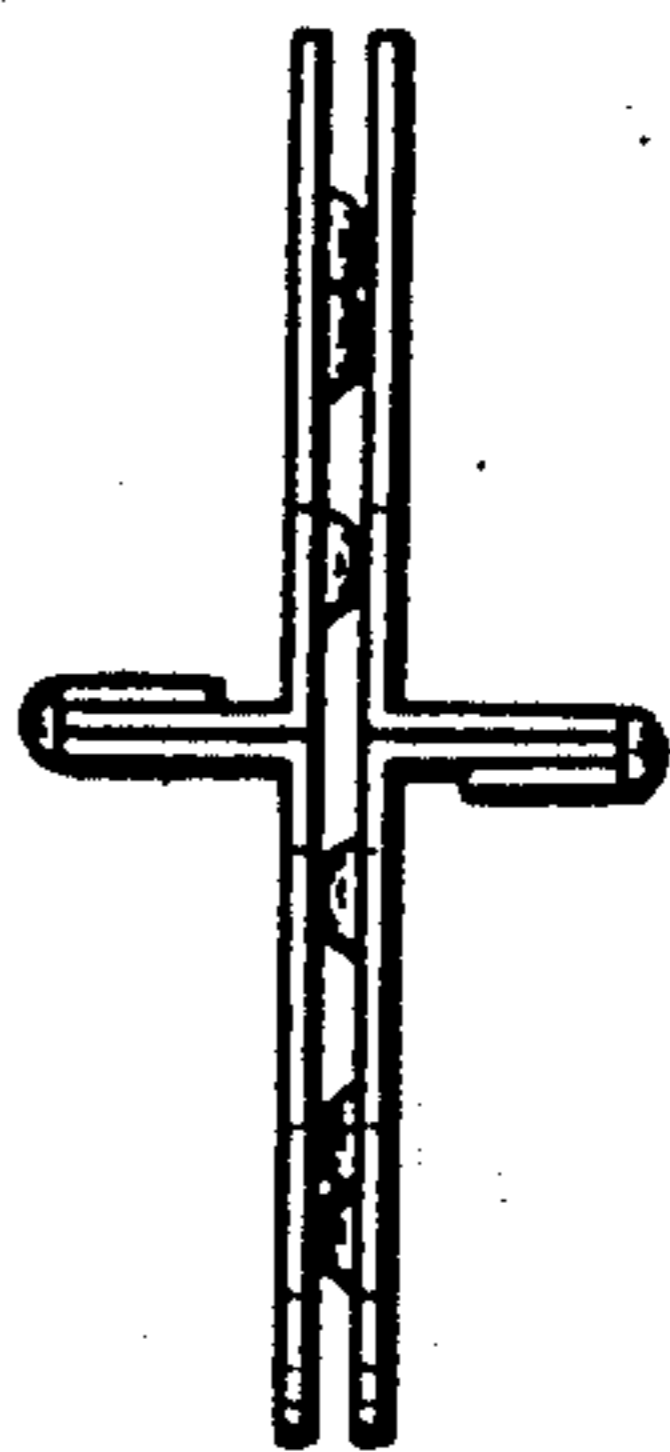


FIG. 8

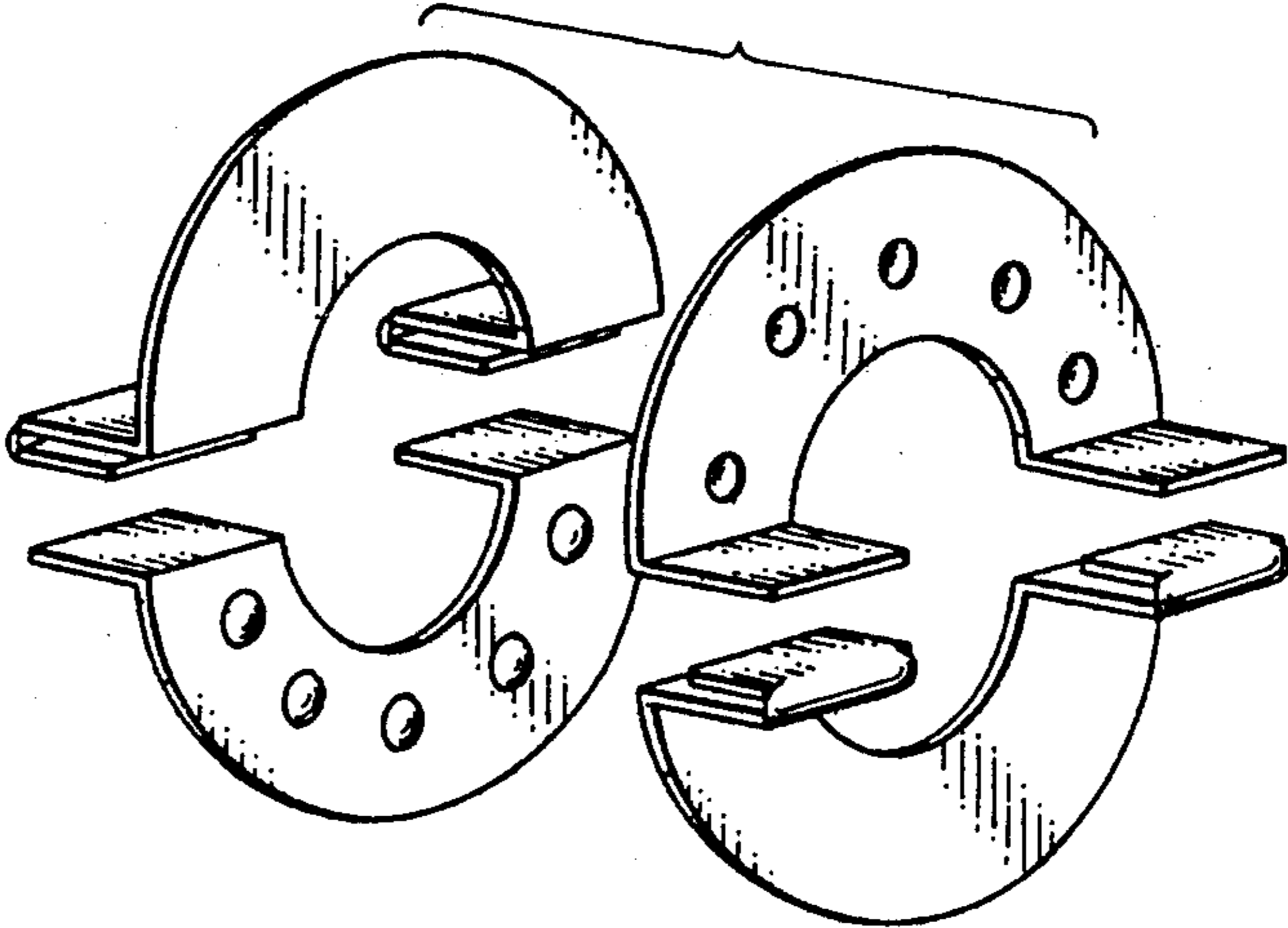


FIG. 7

