

[54] SHOE SOLE

[75] Inventor: Charles Bergmans, Sprang Capelle, Netherlands

[73] Assignee: Clarks of England, Inc., Norwalk, Conn.

[**] Term: 14 Years

[21] Appl. No.: 410,211

[22] Filed: Aug. 23, 1982

[52] U.S. Cl. D2/320

[58] Field of Search D2/264-324; 36/1, 1.5, 11.5, 25 R, 32 R, 33, 59 C, 102

[56] References Cited

U.S. PATENT DOCUMENTS

D. 135,347 3/1943 Pierson D2/320

FOREIGN PATENT DOCUMENTS

2800593 7/1979 Fed. Rep. of Germany 36/25 R

Primary Examiner—Louis S. Zarfus

Attorney, Agent, or Firm—St. Onge, Steward, Johnston & Reens

[57] CLAIM

The ornamental design for a shoe sole, substantially as shown.

DESCRIPTION

FIG. 1 is a left side elevational view of a shoe sole showing my new design; FIG. 2 is a right side elevational view; FIG. 3 is a bottom plan view; FIG. 4 is a front elevational view; and FIG. 5 is a rear elevational view.

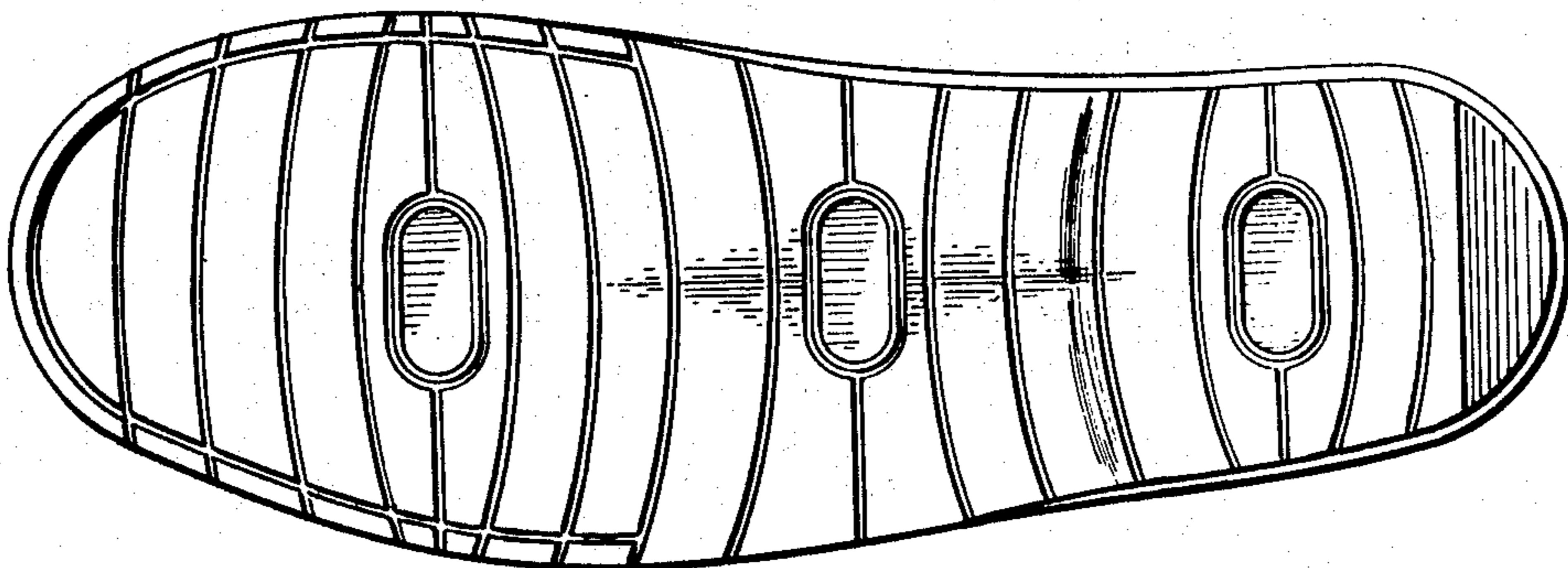
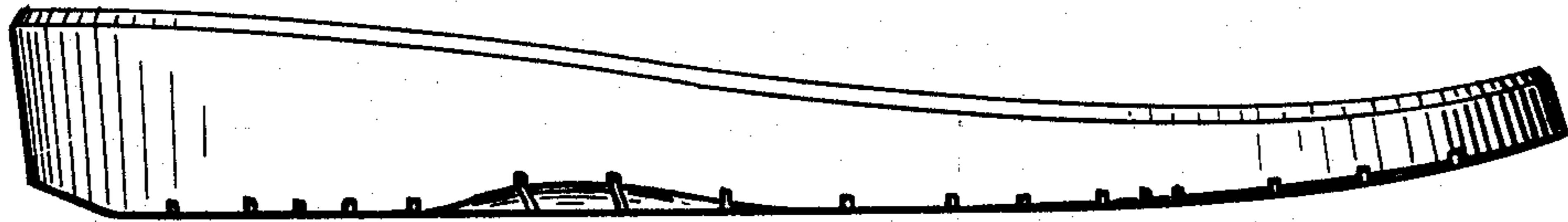


Fig. 1.

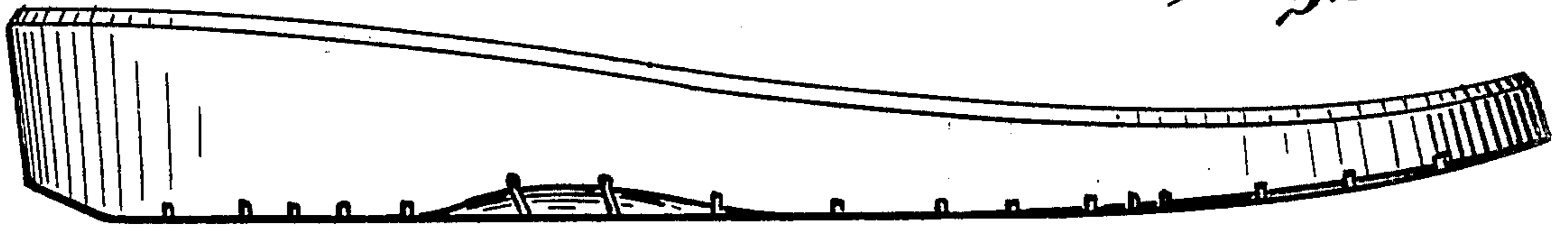


Fig. 2.

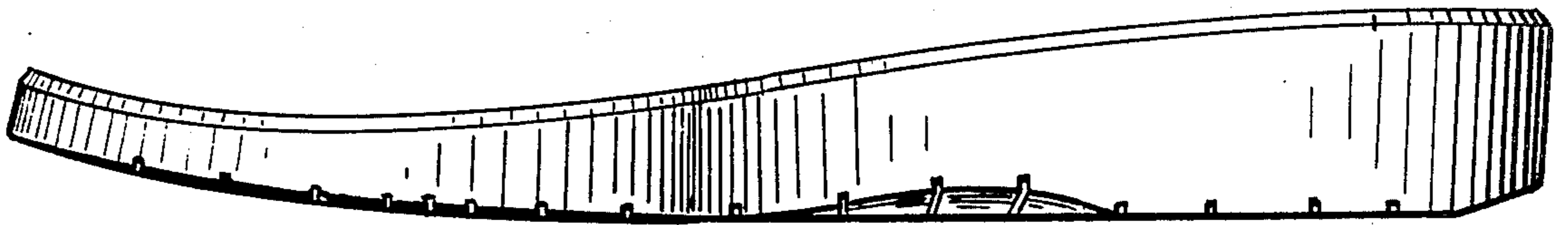


Fig. 3.

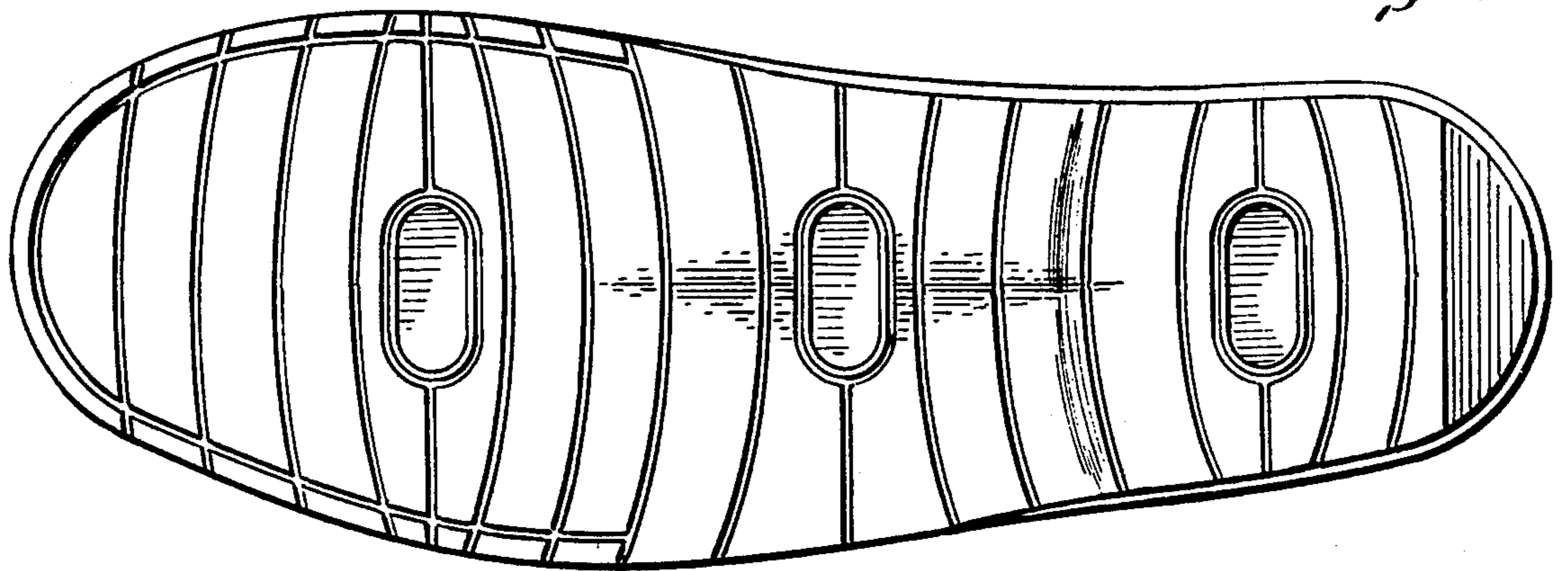


Fig. 4.

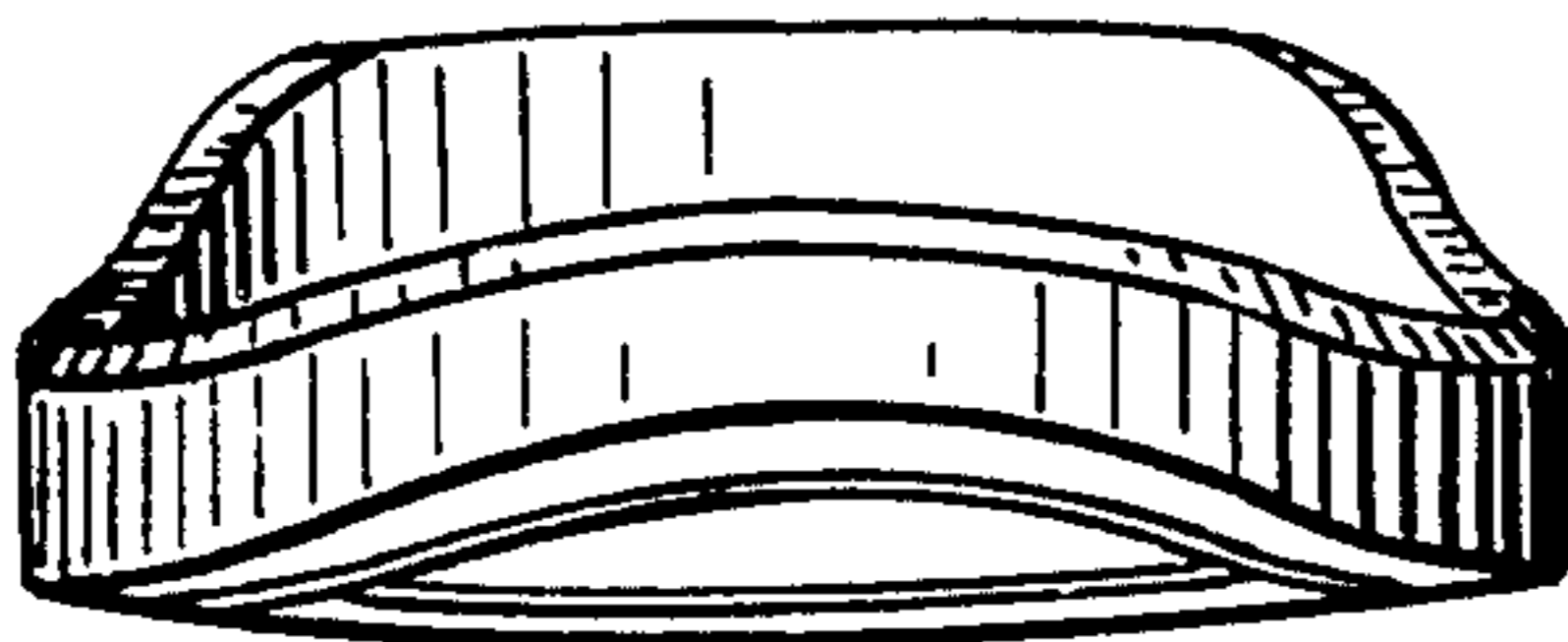


Fig. 5.

