

[54] CRATE

[76] Inventor: Kjell Andersson, Gyllenlackvägen 1, S-240 21 Löddeköpinge, Sweden

[**] Term: 14 Years

[21] Appl. No.: 333,420

[22] Filed: Dec. 22, 1981

[30] Foreign Application Priority Data

Jun. 23, 1981 [SE] Sweden 81-1436

[52] U.S. Cl. D34/40

[58] Field of Search D34/40-46, D34/38; 108/57.1, 901, 902; 206/386, 595, 599, 503, 505, 515, 509

[56] References Cited

U.S. PATENT DOCUMENTS

- D. 227,191 6/1973 Cape D34/43
- D. 264,513 5/1982 Miller D34/43
- 3,762,594 10/1973 Utz 220/DIG. 15

- 3,917,108 11/1975 Thurman 108/901
- 4,176,747 12/1979 Aho 220/DIG. 15

FOREIGN PATENT DOCUMENTS

- 2632754 2/1977 Fed. Rep. of Germany 2.6/386

Primary Examiner—George P. Word

[57] CLAIM

The ornamental design for a crate, as shown and described.

DESCRIPTION

FIG. 1 is a top perspective view of a crate showing my new design;
 FIG. 2 is an inverted bottom perspective view thereof;
 FIG. 3 is a top perspective view of an alternate form of the crate;
 FIG. 4 is an inverted bottom perspective view thereof;
 FIG. 5 is a front elevational view of FIG. 1;
 FIG. 6 is a side elevational view of FIG. 1;
 FIG. 7 is a front elevational view of FIG. 3; and
 FIG. 8 is a side elevational view of FIG. 3.

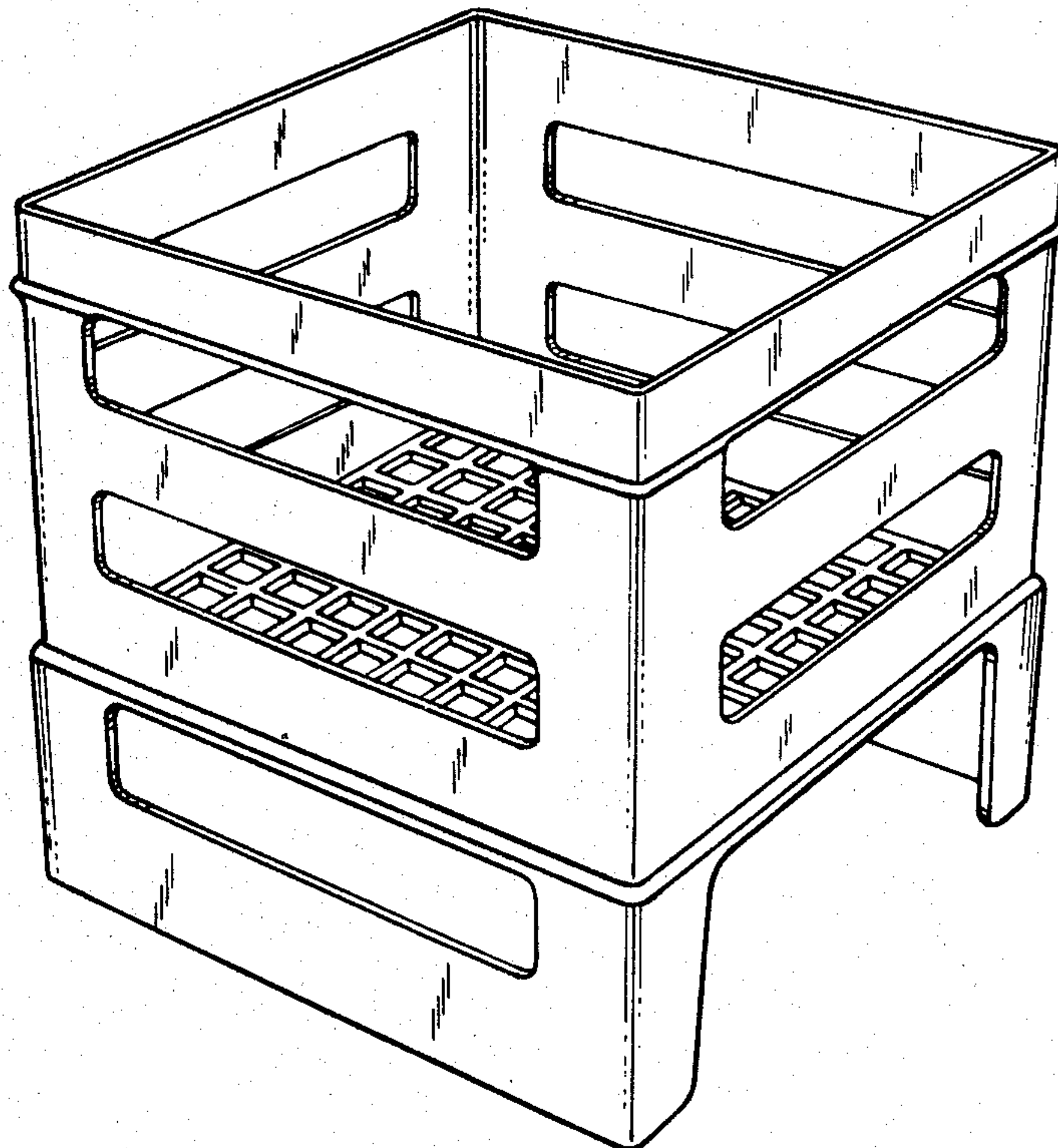


Fig. 1

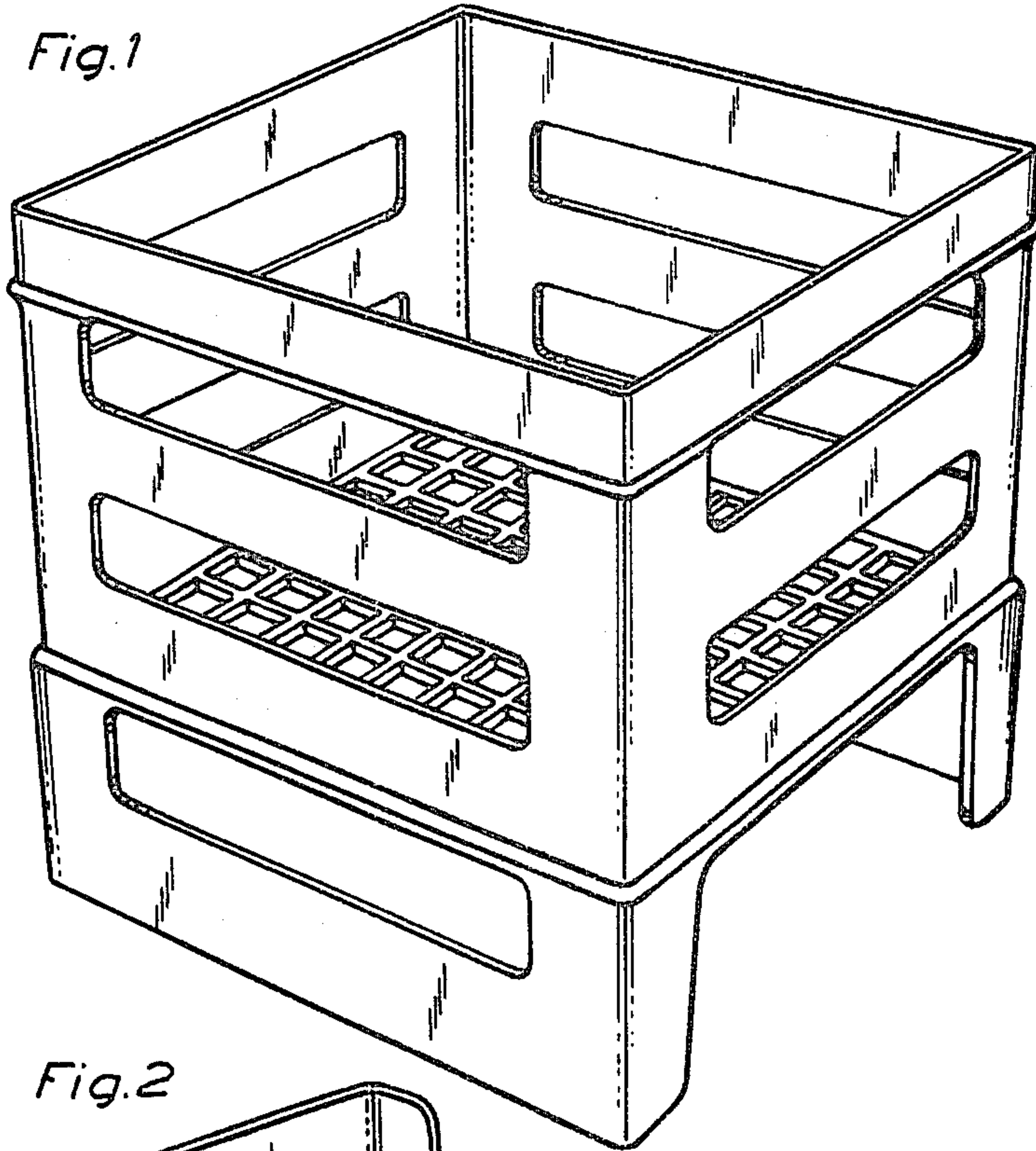


Fig. 2

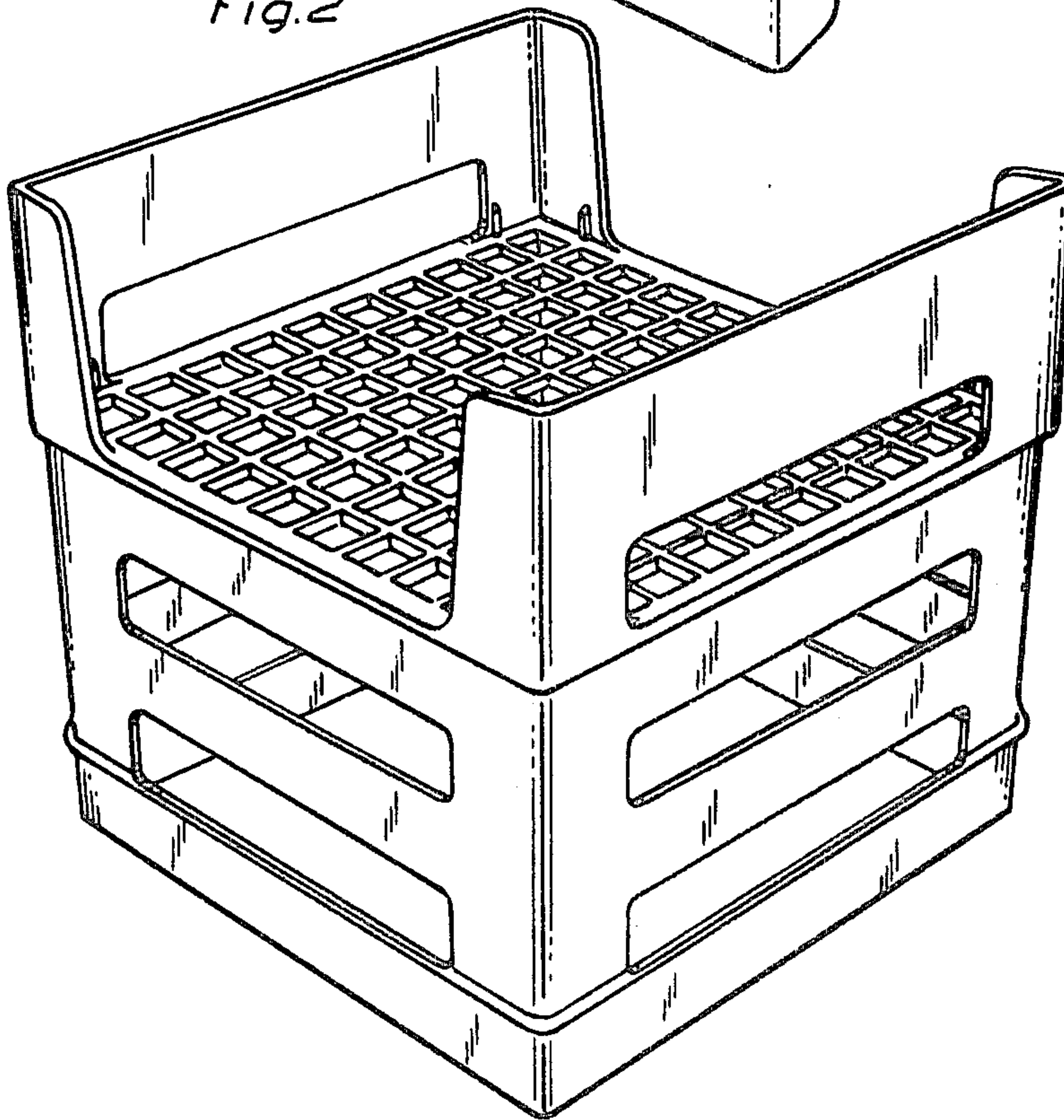


Fig. 3

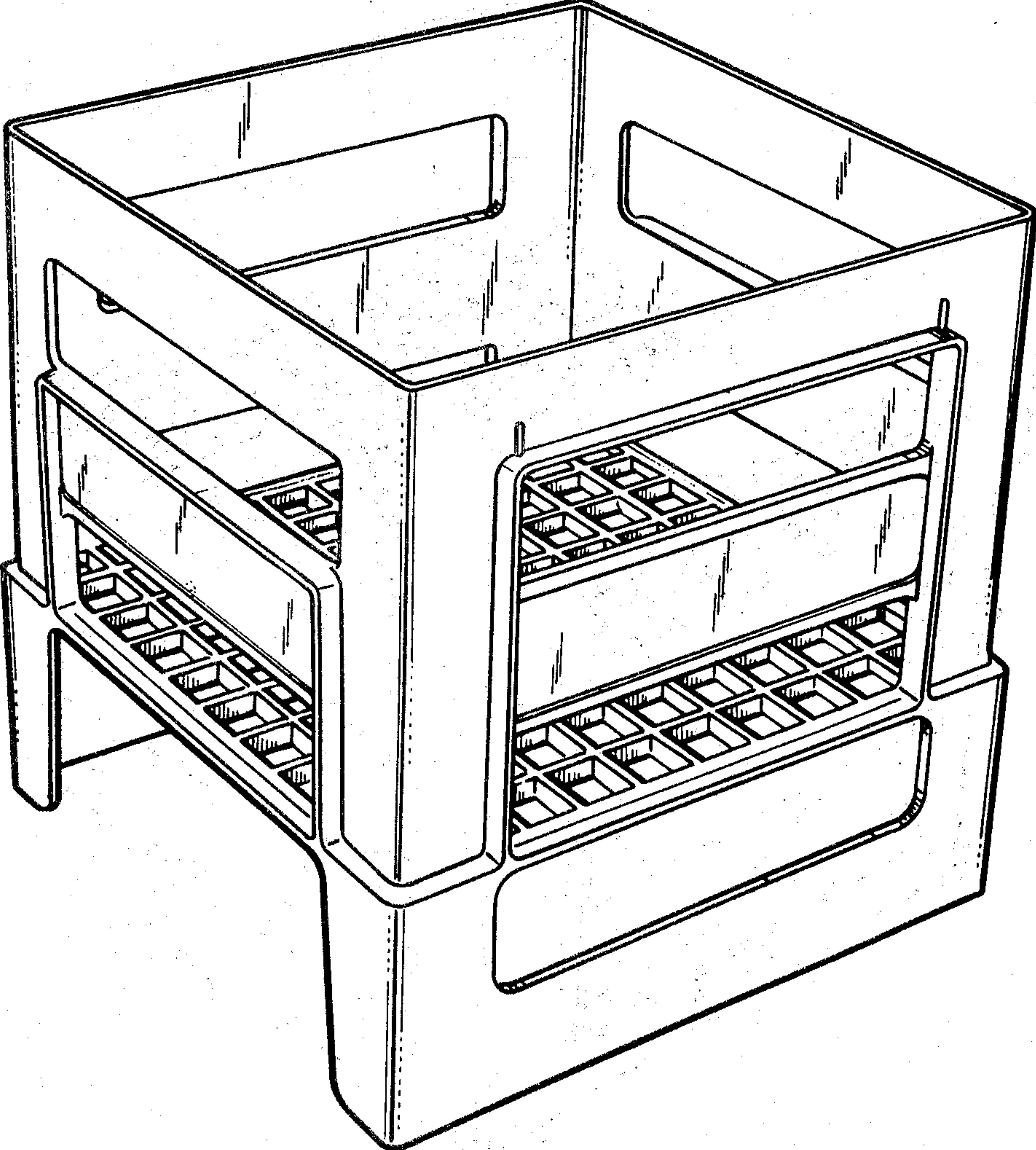


Fig. 4

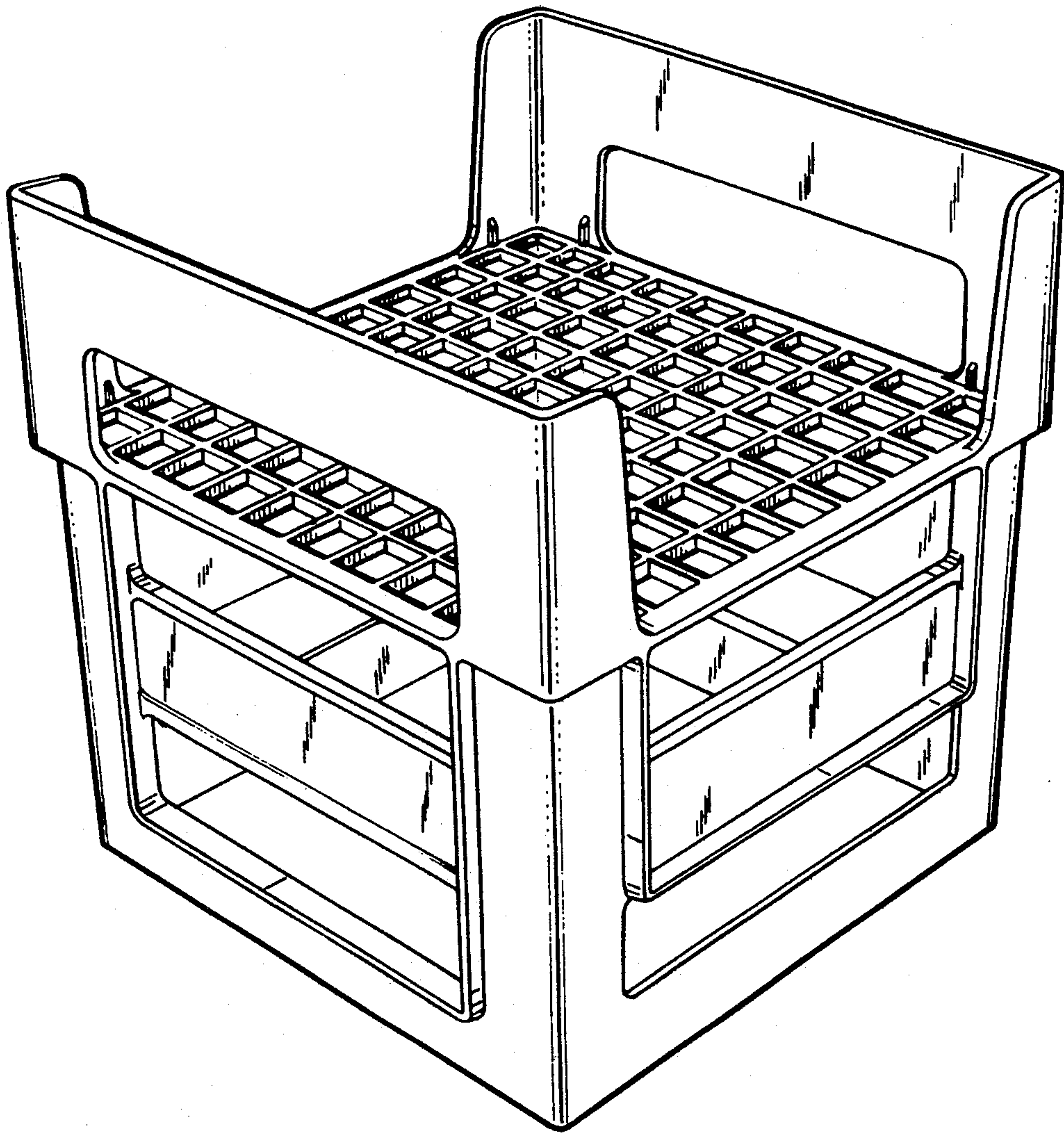


Fig.5

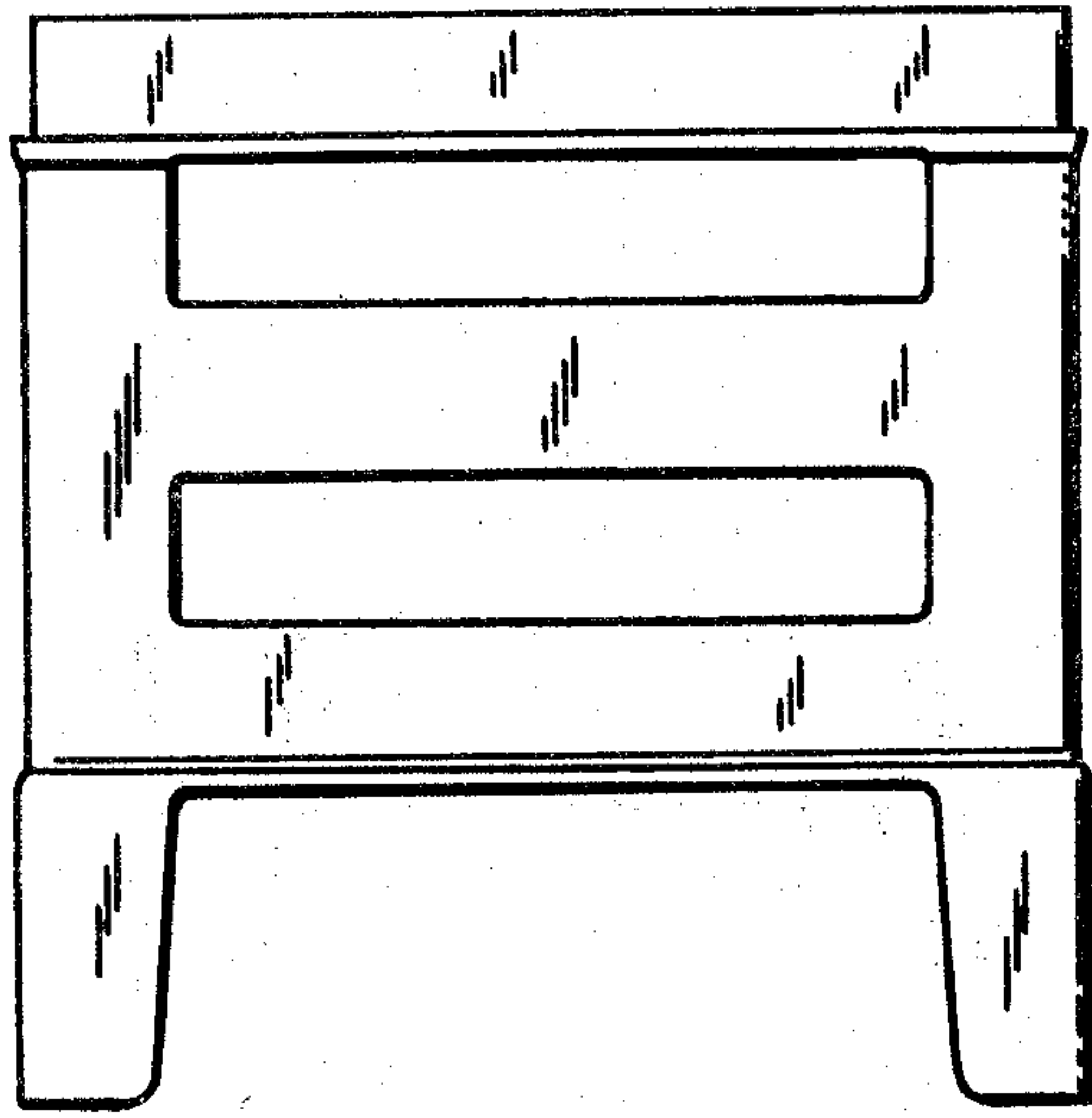


Fig.6

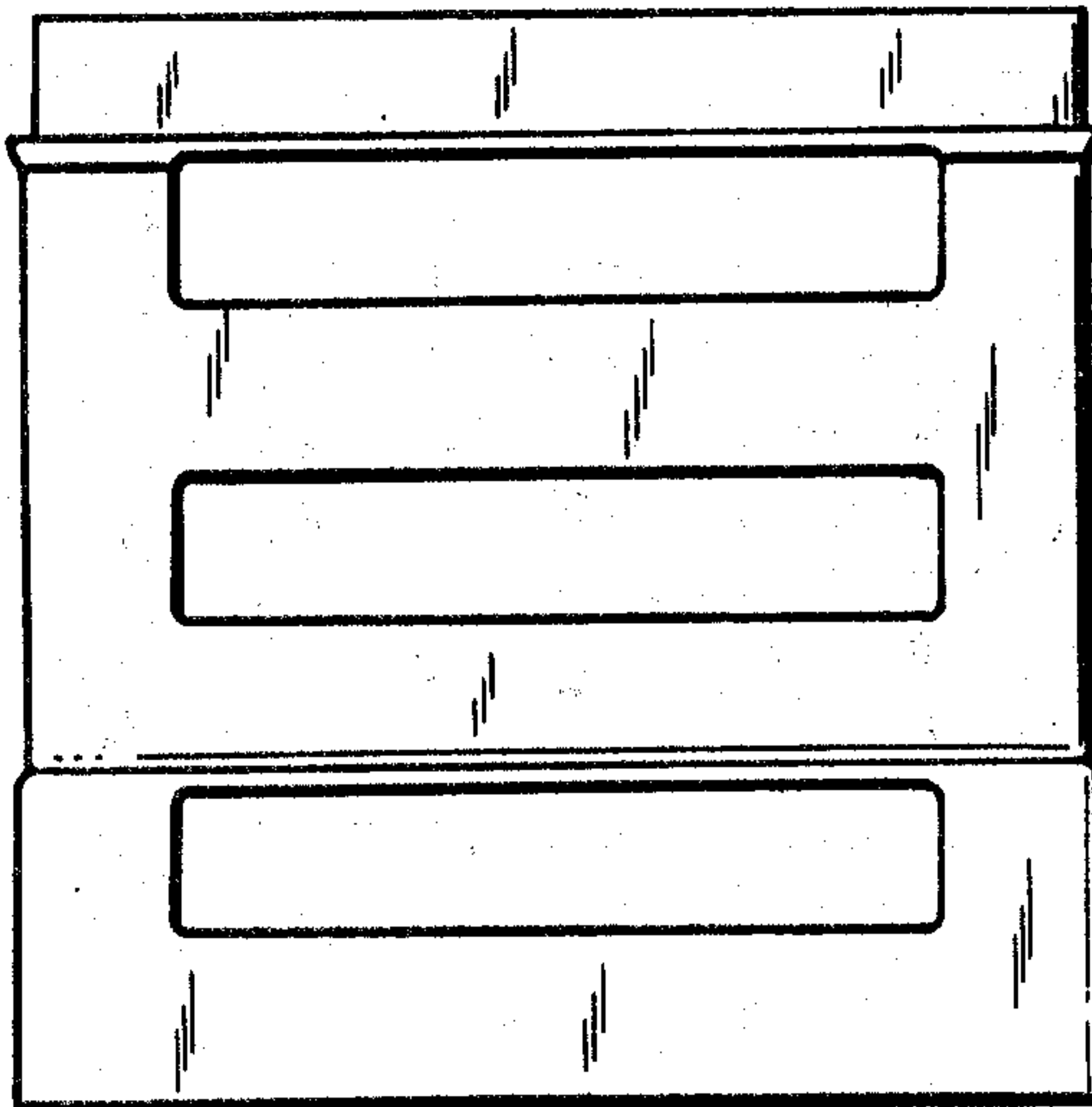


Fig.7

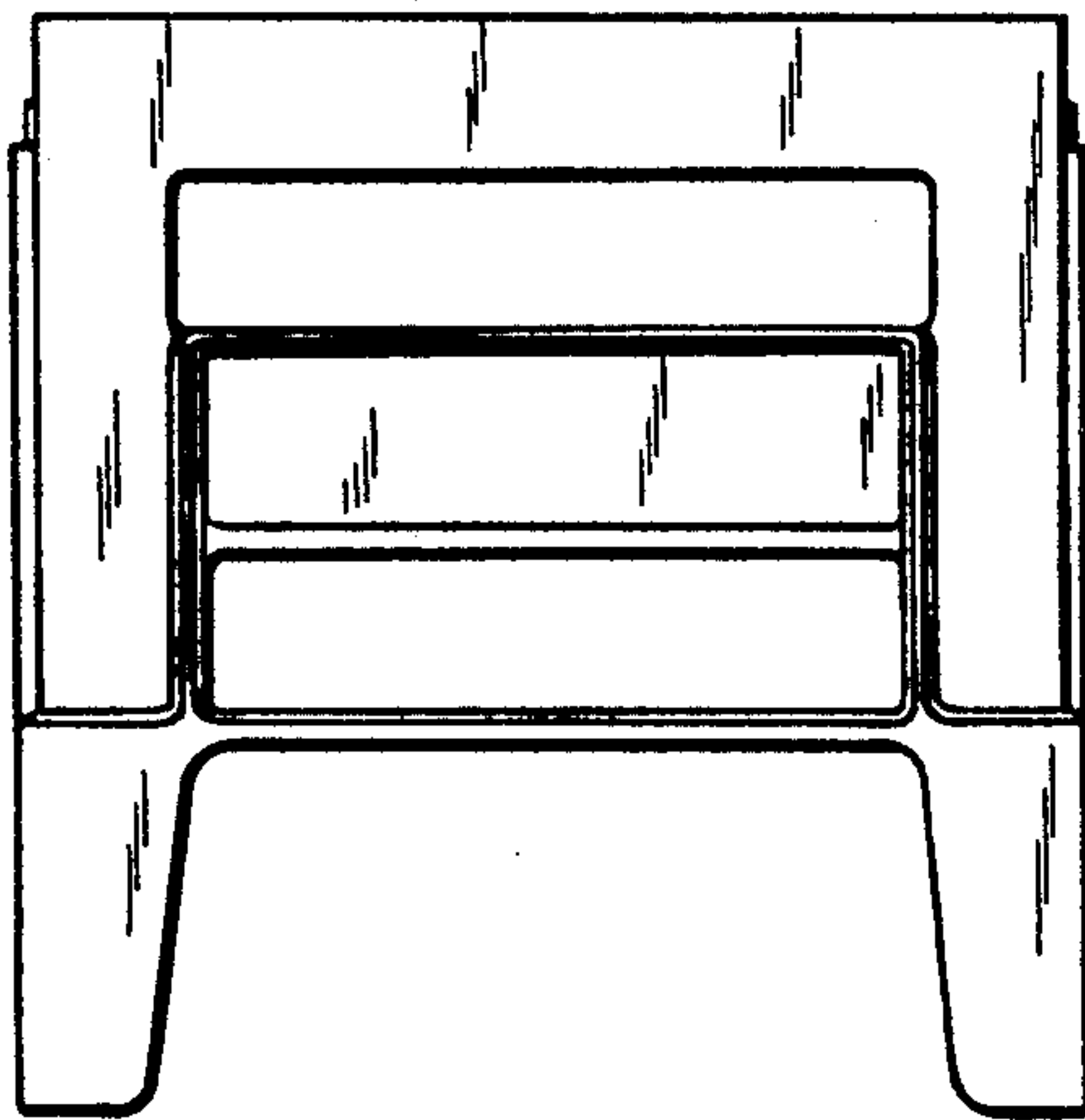
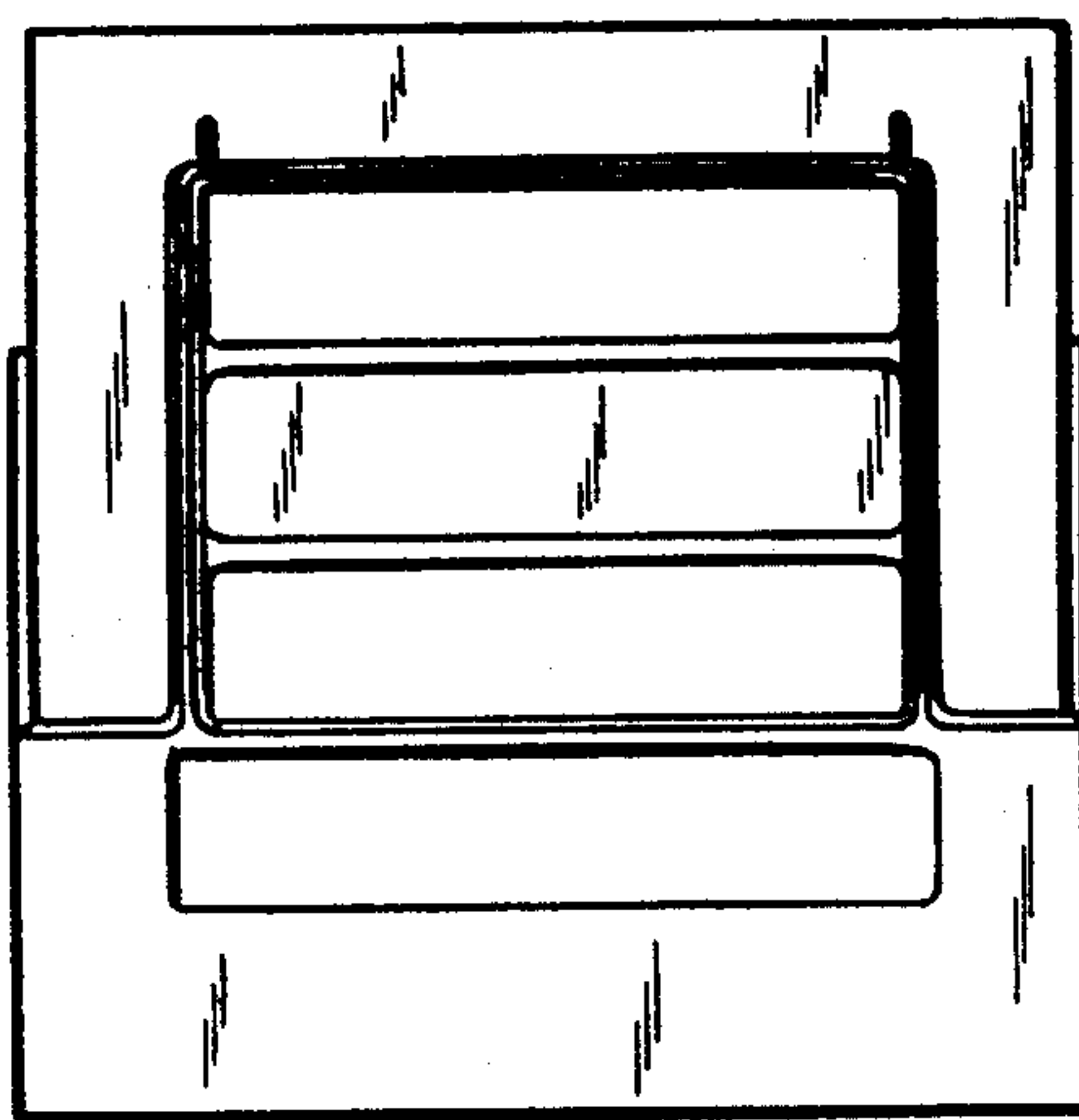


Fig.8



UNITED STATES PATENT AND TRADEMARK OFFICE
CERTIFICATE OF CORRECTION

PATENT NO. : Des. 275,141
DATED : Aug. 14, 1984
INVENTOR(S) : Kjell Andersson

It is certified that error appears in the above--identified patent and that said Letters Patent is hereby corrected as shown below:

Title page,
above "[**] Term: 14 Years" the following should
be inserted-- [73] Assignee: Alfa-Laval AB, Tumba,
Sweden--.

Signed and Sealed this

Twenty-ninth Day of July 1986

[SEAL]

Attest:

DONALD J. QUIGG

Attesting Officer

Commissioner of Patents and Trademarks