

[54] APPARATUS FOR TURNING A PERSON  
CONFINED TO A BED

3,611,452 10/1971 Turko et al. .... 5/62  
3,711,876 1/1973 Kirkland et al. .... 5/62  
4,357,722 11/1982 Thompson ..... 5/62

[76] Inventor: Torsten Persson, Havstensund 7583,  
Grebbe stad, Sweden, S-450 81

FOREIGN PATENT DOCUMENTS

1512074 12/1967 France ..... 5/81 R

[\*\*] Term: 14 Years

Primary Examiner—Bernard Ansher  
Attorney, Agent, or Firm—Browdy and Neimark

[21] Appl. No.: 340,247

[22] Filed: Jan. 18, 1982

[57] CLAIM

The ornamental design for an apparatus for turning a person confined to a bed, as shown.

[30] Foreign Application Priority Data

Jul. 27, 1981 [DE] Fed. Rep. of Germany ..... 12 592

DESCRIPTION

[52] U.S. Cl. .... D34/33; D24/1.1

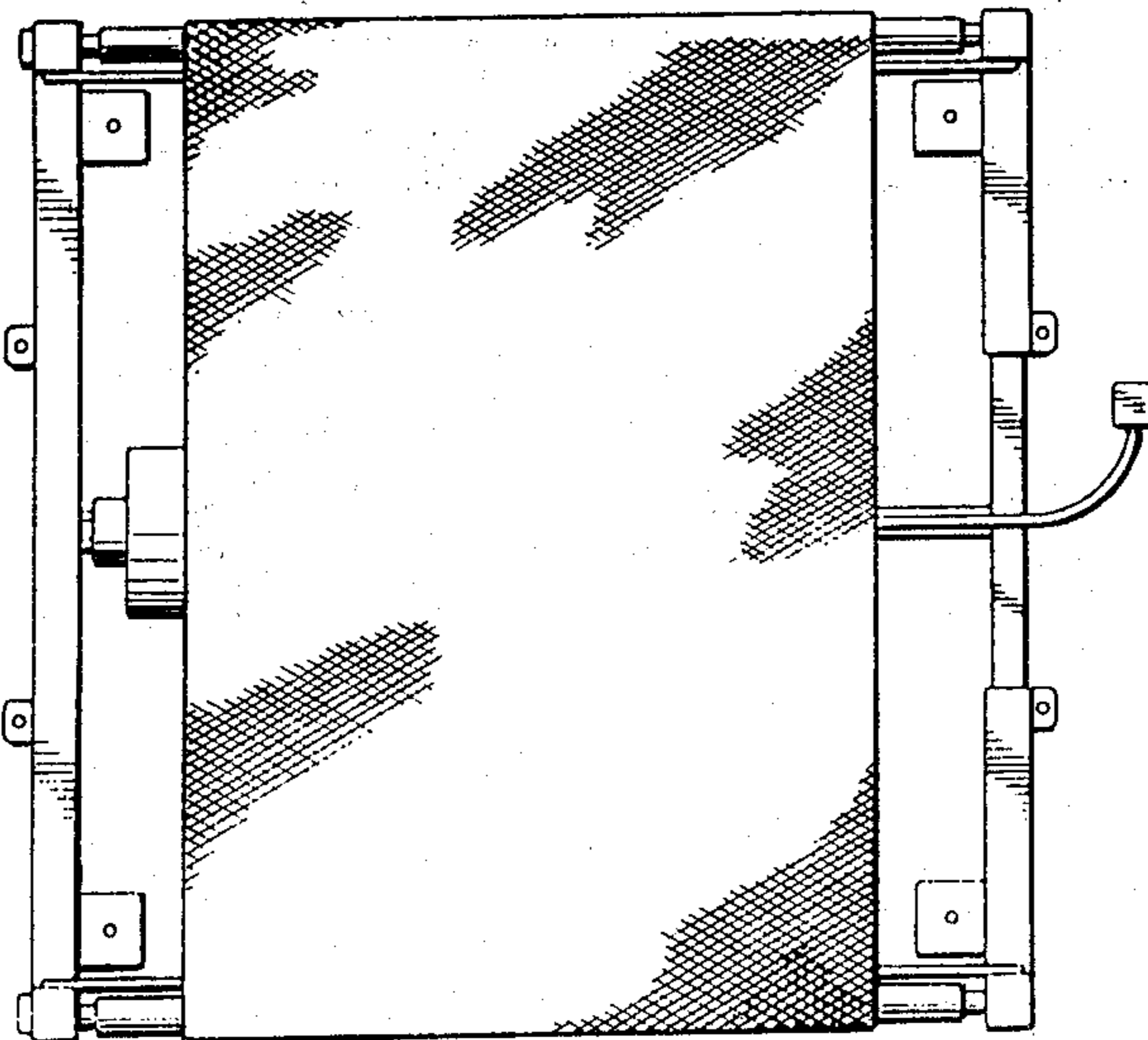
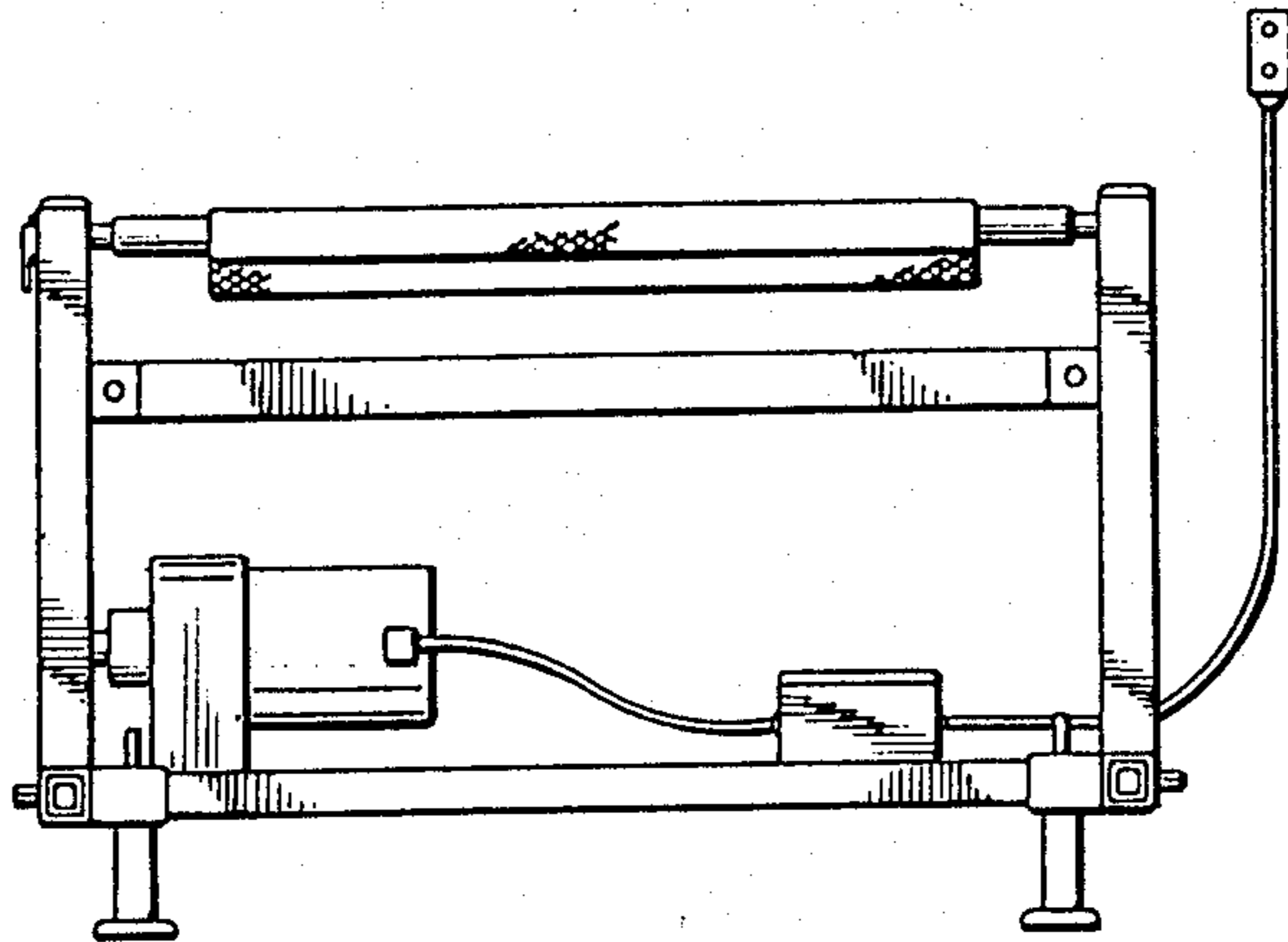
[58] Field of Search ..... D15/34, 33, 28;  
D24/1.1; 5/62, 81 R, 61, 66

FIG. 1 is a view from one side of an apparatus for turning a person confined to a bed showing my new design; FIG. 2 is a view from the other side thereof; FIG. 3 is a front view thereof; FIG. 4 is a rear view thereof; FIG. 5 is a bottom plan view thereof, and FIG. 6 is a top plan view thereof.

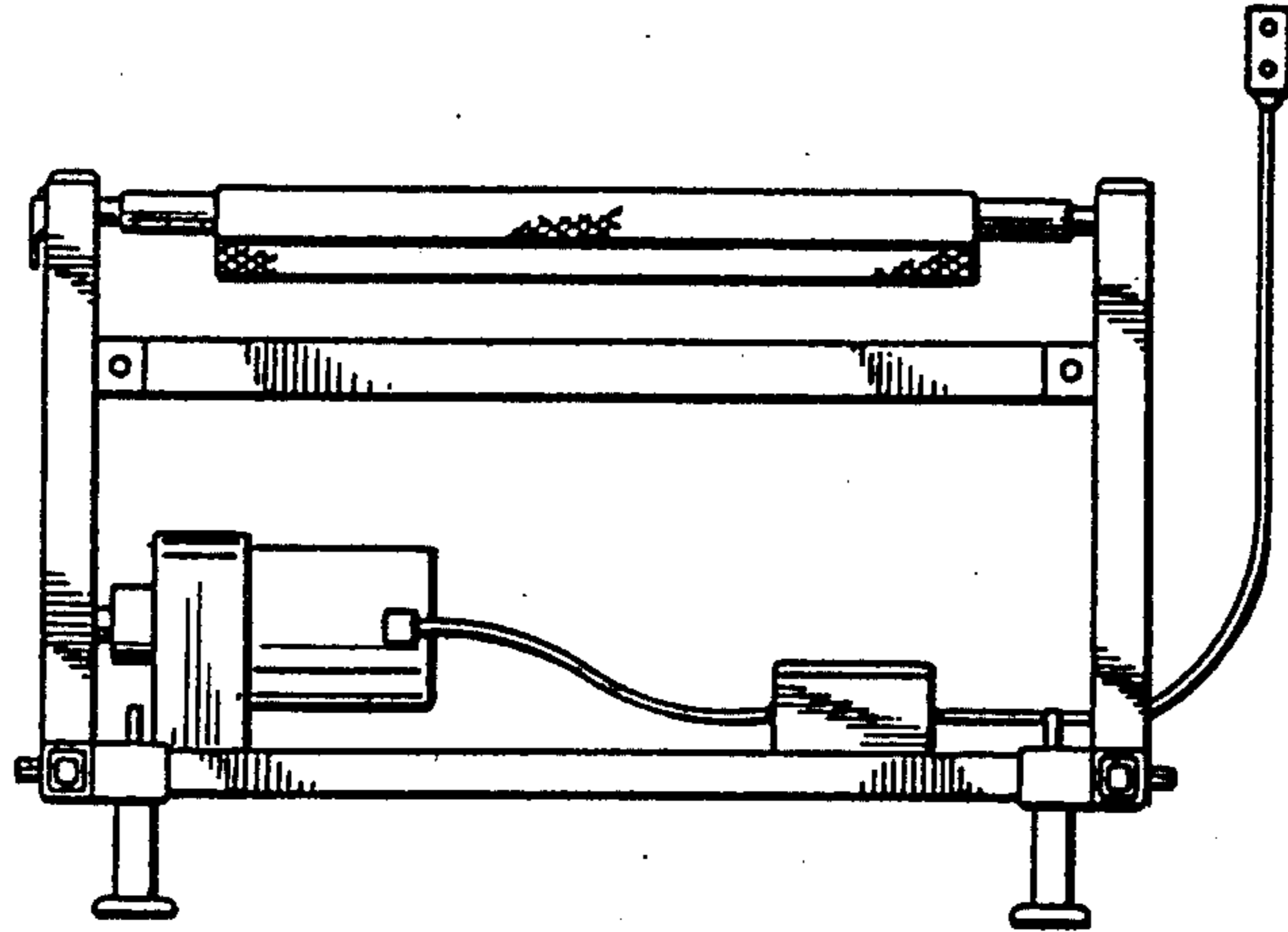
[56] References Cited

U.S. PATENT DOCUMENTS

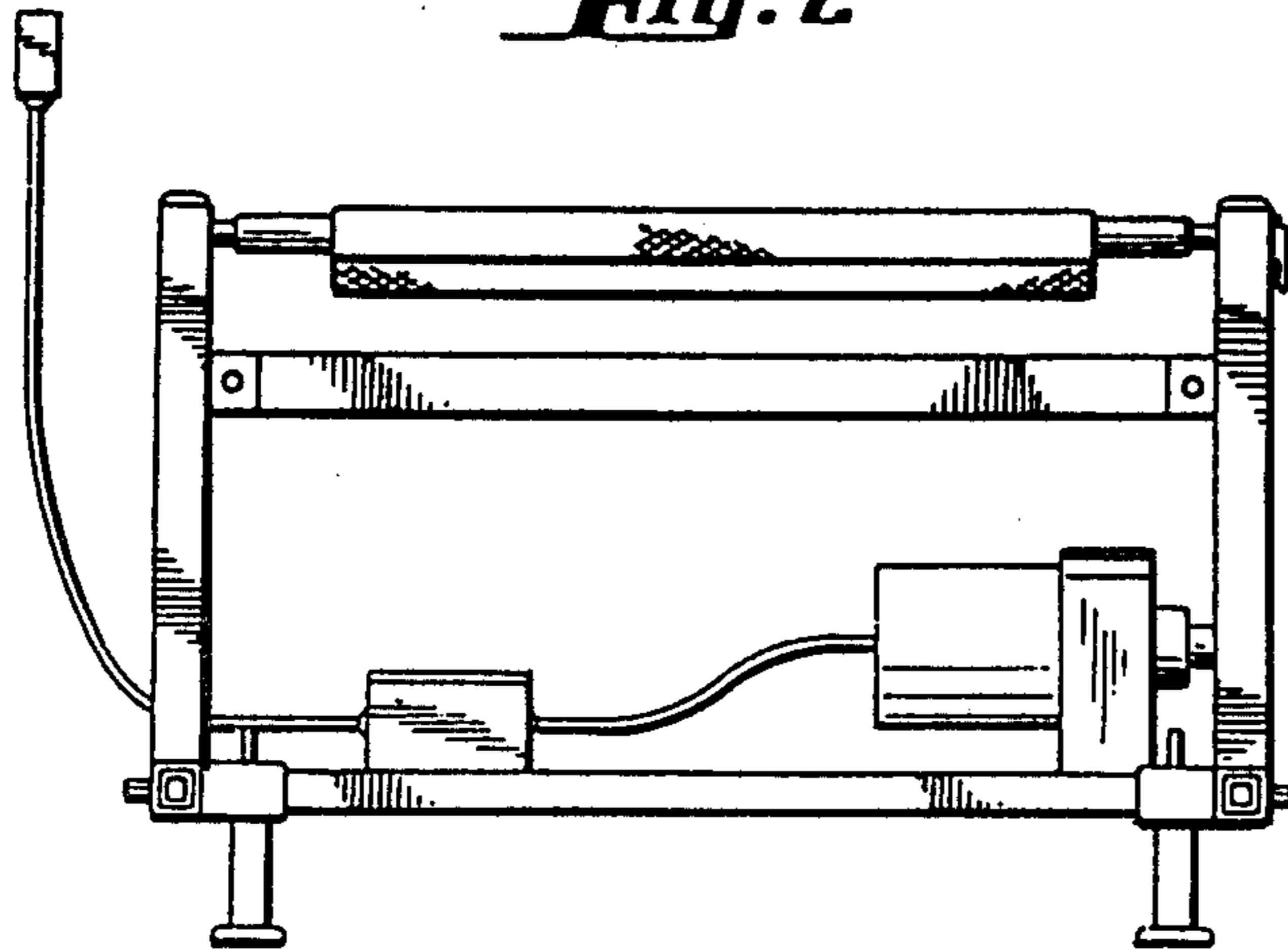
D. 186,506 11/1959 Rosenberg ..... D34/33  
D. 229,381 11/1973 Benoit et al. .... D24/1.1 X



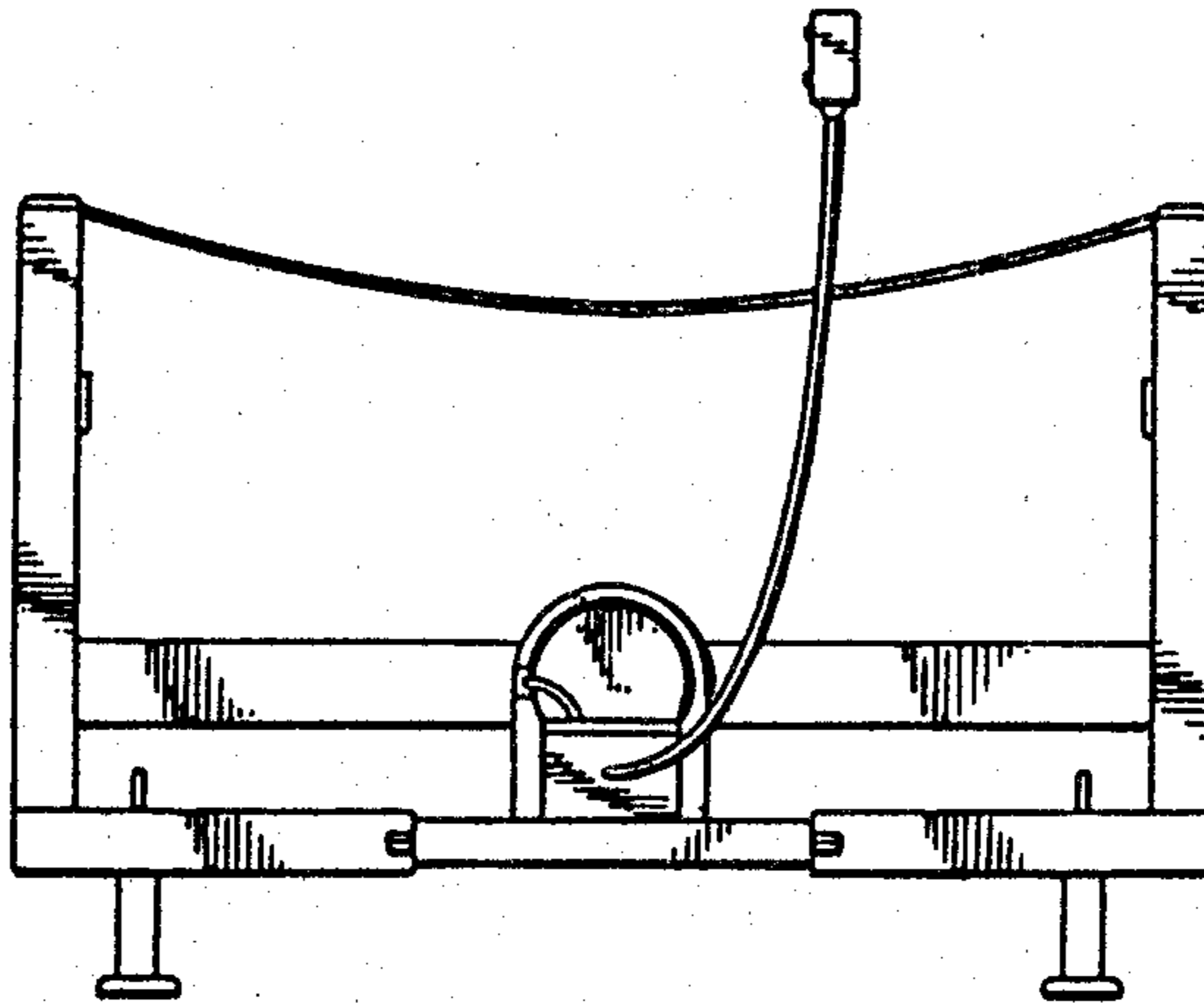
*Fig. 1*



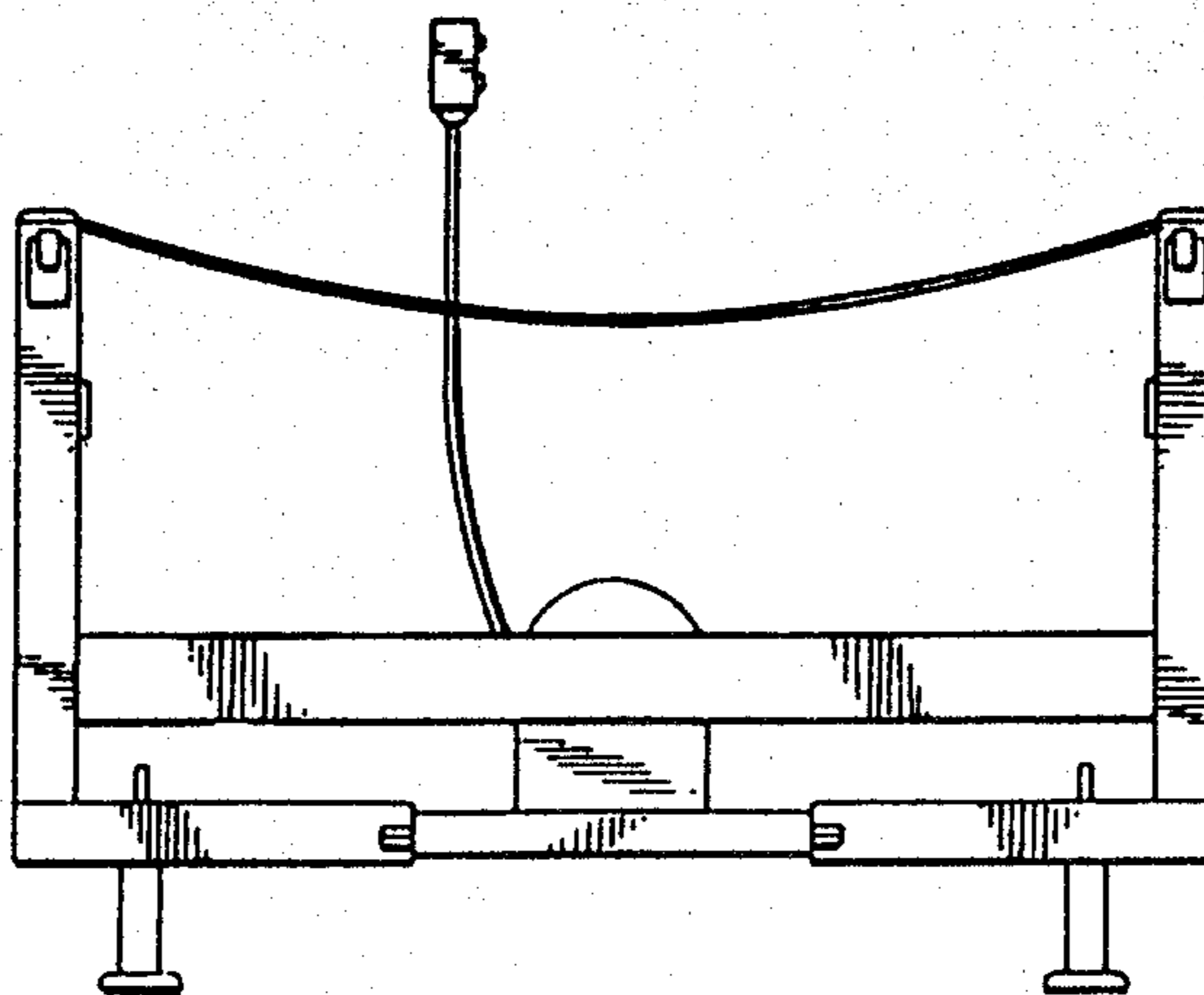
*Fig. 2*



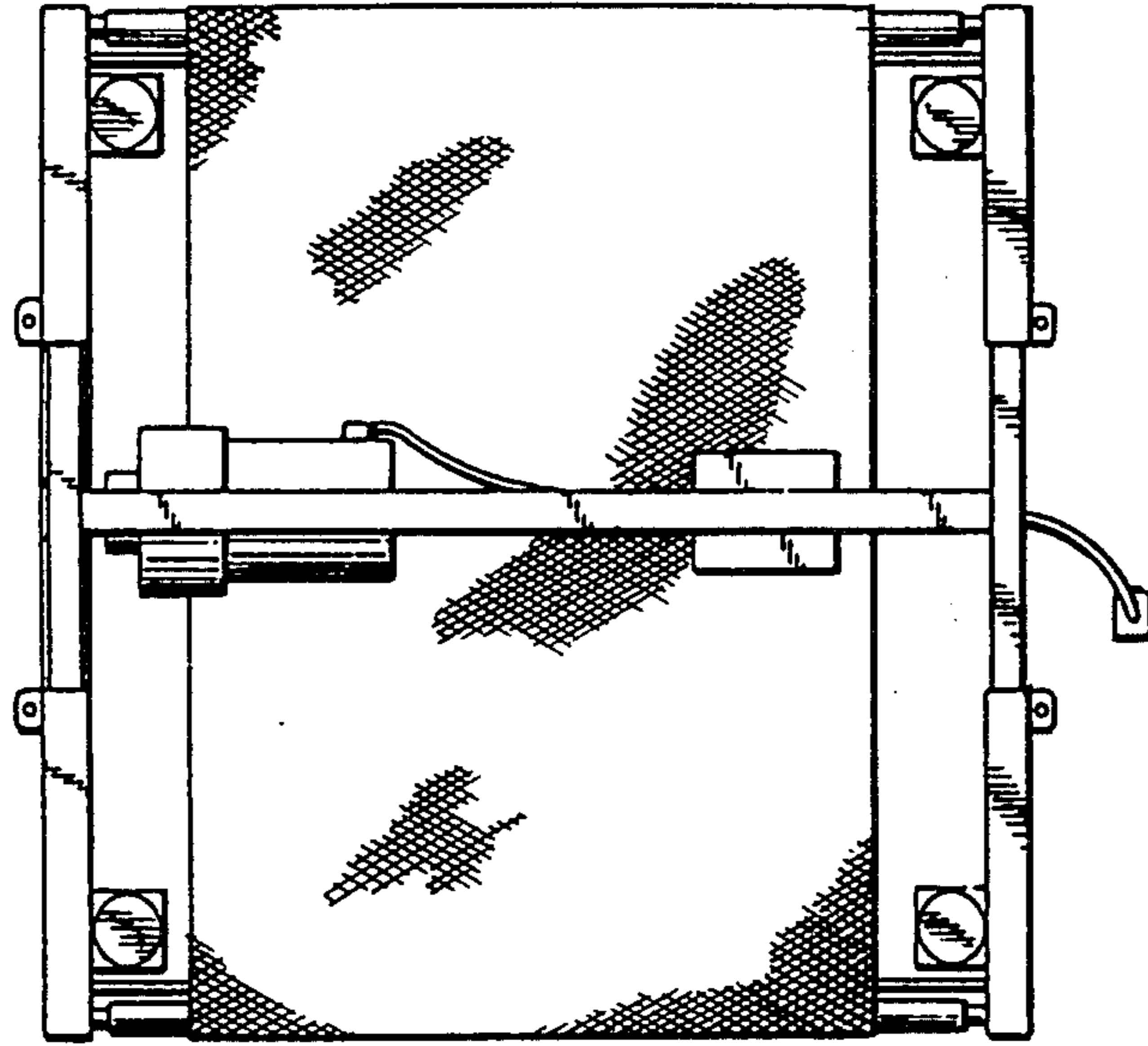
*Fig. 3*



*Fig. 4*



*Fig. 5*



*Fig. 6*

