

[54] ASH RECEPTACLE  
 [75] Inventor: Tommy D. Scoggins, Graham, N.C.  
 [73] Assignee: Scoggins Mfg, Inc., Graham, N.C.  
 [\*\*] Term: 14 Years  
 [21] Appl. No.: 369,267  
 [22] Filed: Apr. 16, 1982  
 [52] U.S. Cl. .... D34/7; D23/138.5  
 [58] Field of Search ..... D34/1; D23/138.5;  
 D34/1, 7; 220/1 T, 2; 126/242, 243, 245, 244,  
 283; 232/43.1, 43.2, 43.3, 43.4, 43.5

[56] **References Cited**  
**U.S. PATENT DOCUMENTS**  
 232,361 9/1880 Neville .  
 260,364 7/1882 Brown .  
 454,887 6/1891 Stainton ..... 232/43.2 X  
 879,622 2/1908 Galvin ..... 126/242  
 918,295 4/1909 Doane .  
 1,044,306 11/1912 Vertner .  
 1,161,089 11/1915 Waldo, Jr. .  
 1,470,205 10/1923 Vogt .

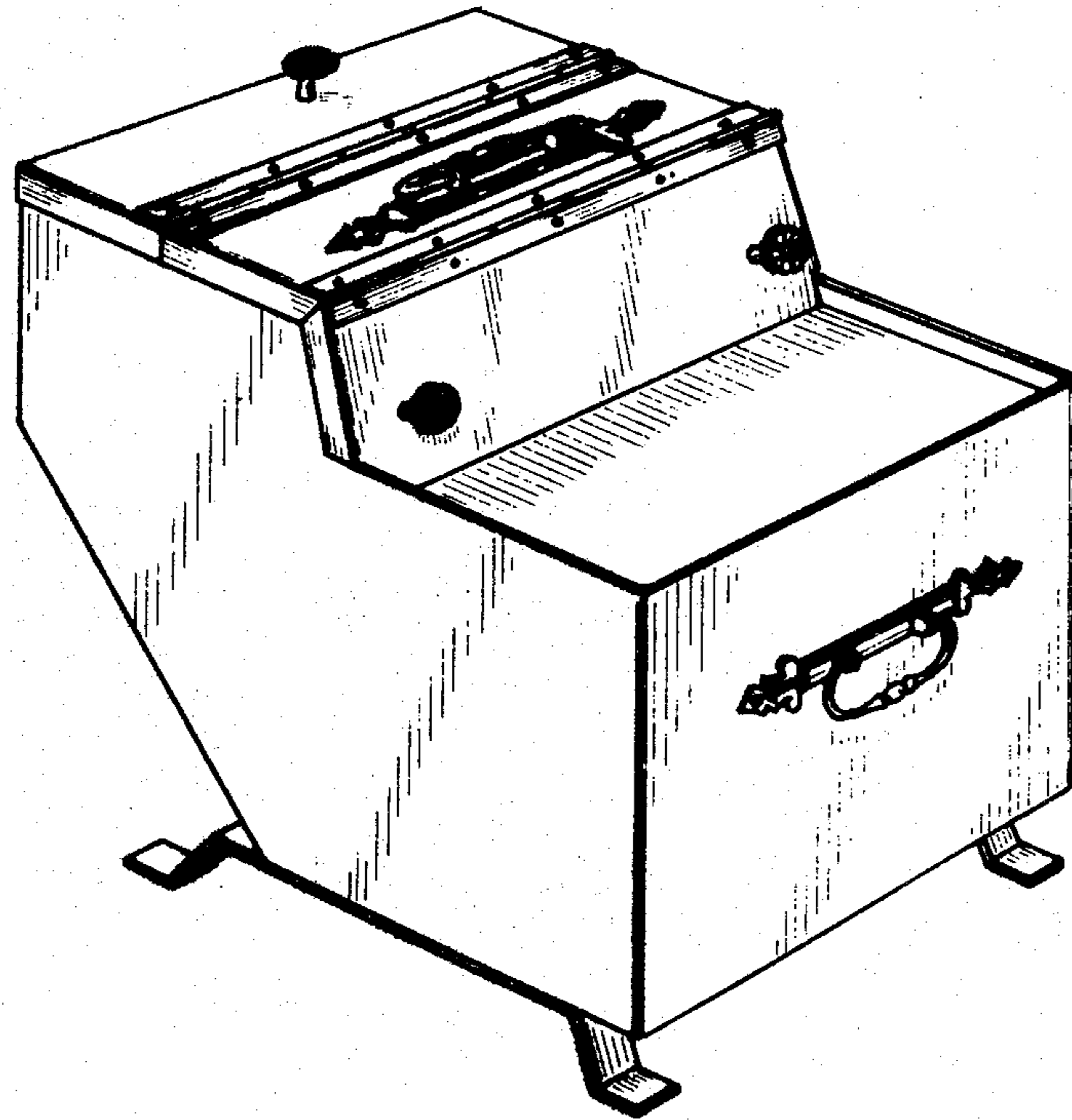
2,319,725 5/1943 Drinkwater ..... 232/43.1 X  
 4,307,704 12/1981 Wagg ..... 126/243 X  
 4,363,417 12/1982 Rhoades et al. .... 220/1 T

**FOREIGN PATENT DOCUMENTS**  
 25820 4/1920 Denmark ..... 126/283  
 115370 12/1900 Fed. Rep. of Germany ..... 126/243  
 526280 10/1921 France ..... 126/242  
 800463 7/1936 France ..... 126/243  
 115 of 1892 United Kingdom ..... 126/283  
 580830 9/1946 United Kingdom ..... 232/43.2

Primary Examiner—Catherine E. Kemper

[57] **CLAIM**  
 The ornamental design for an ash receptacle, as shown and described.

**DESCRIPTION**  
 FIG. 1 is a perspective view of an ash receptacle showing my new design;  
 FIG. 2 is a right side elevational view thereof, the left side being substantially a mirror image thereof;  
 FIG. 3 is a top plan view thereof; and  
 FIG. 4 is a rear elevational view thereof.



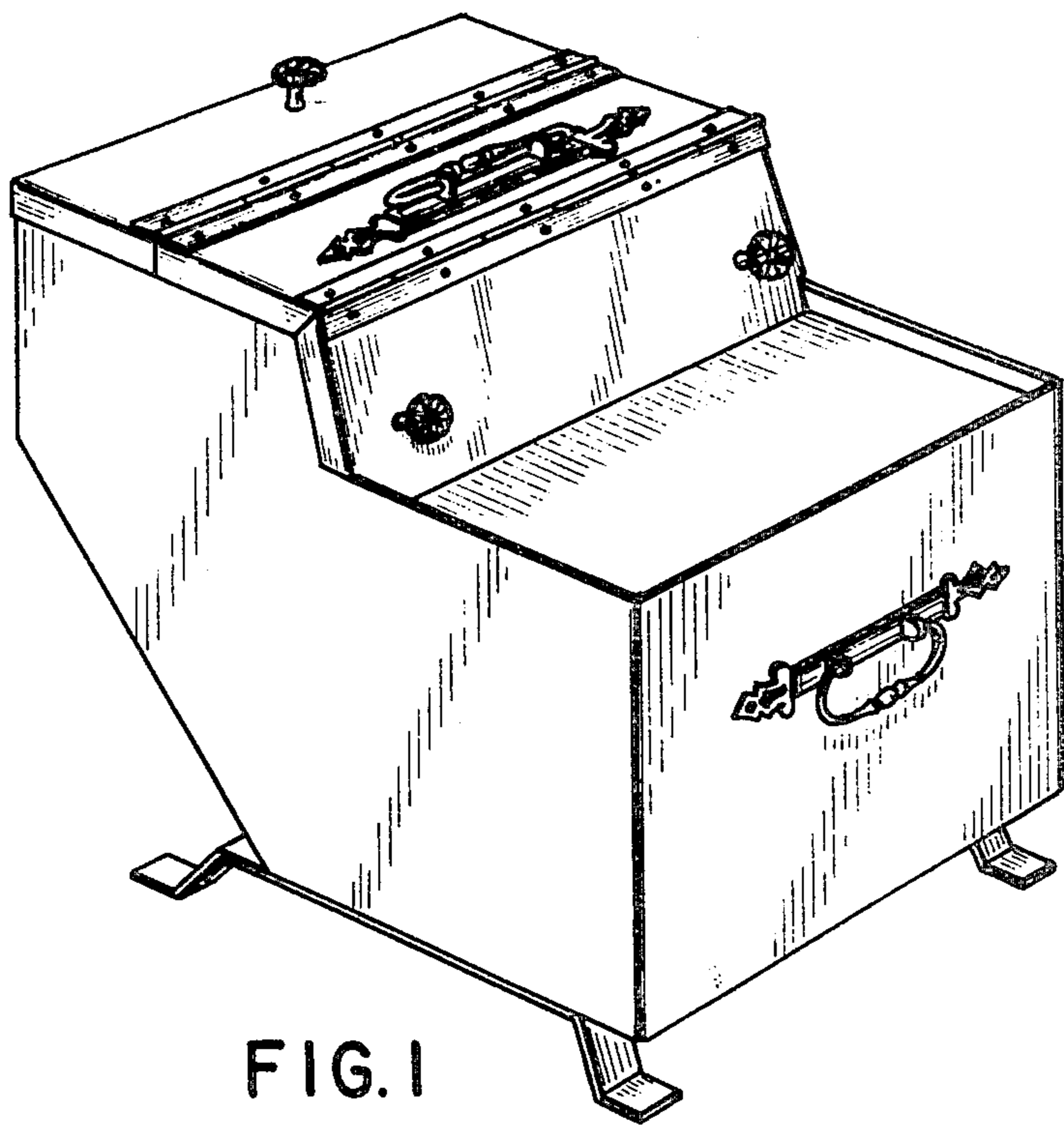


FIG. 1

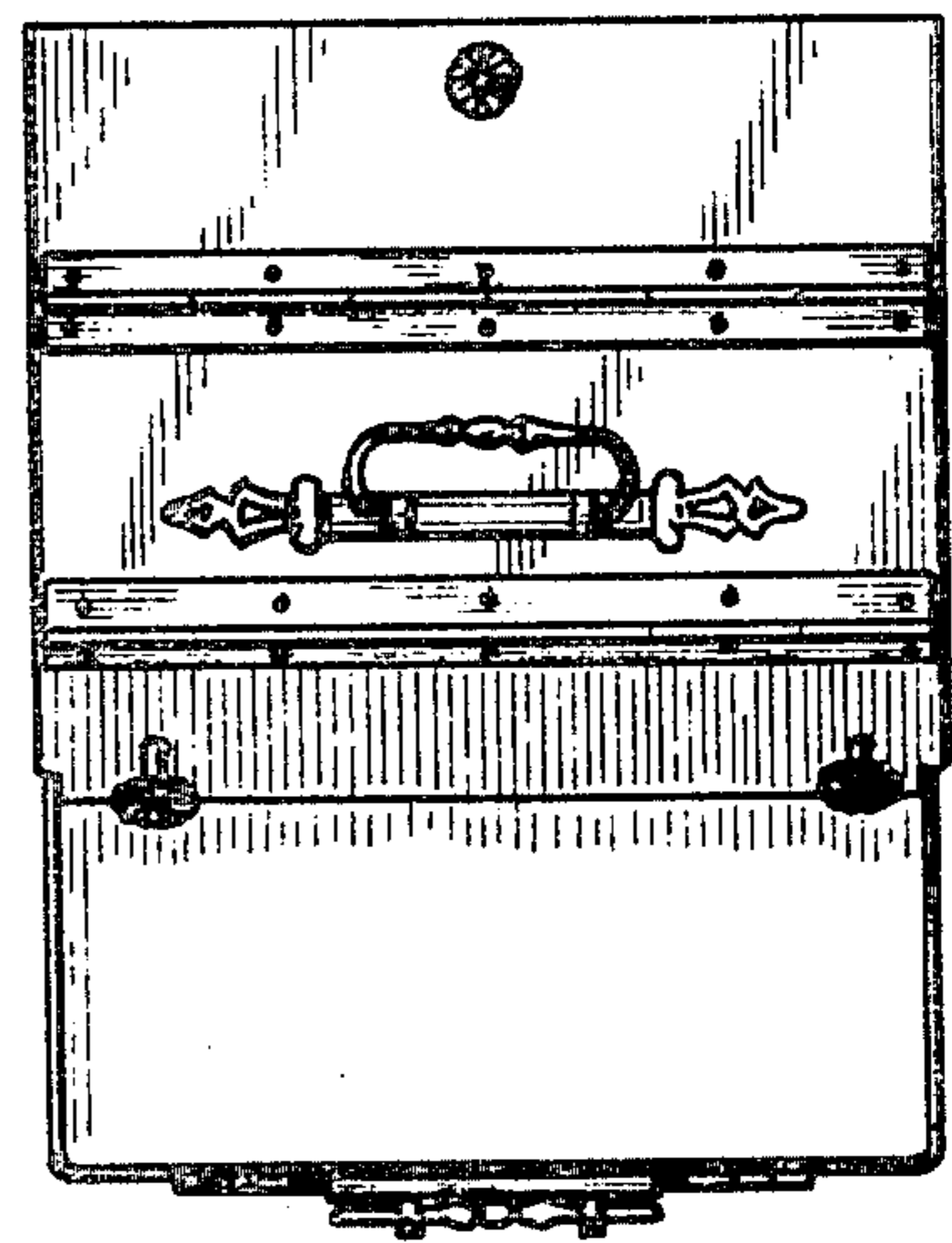


FIG. 3

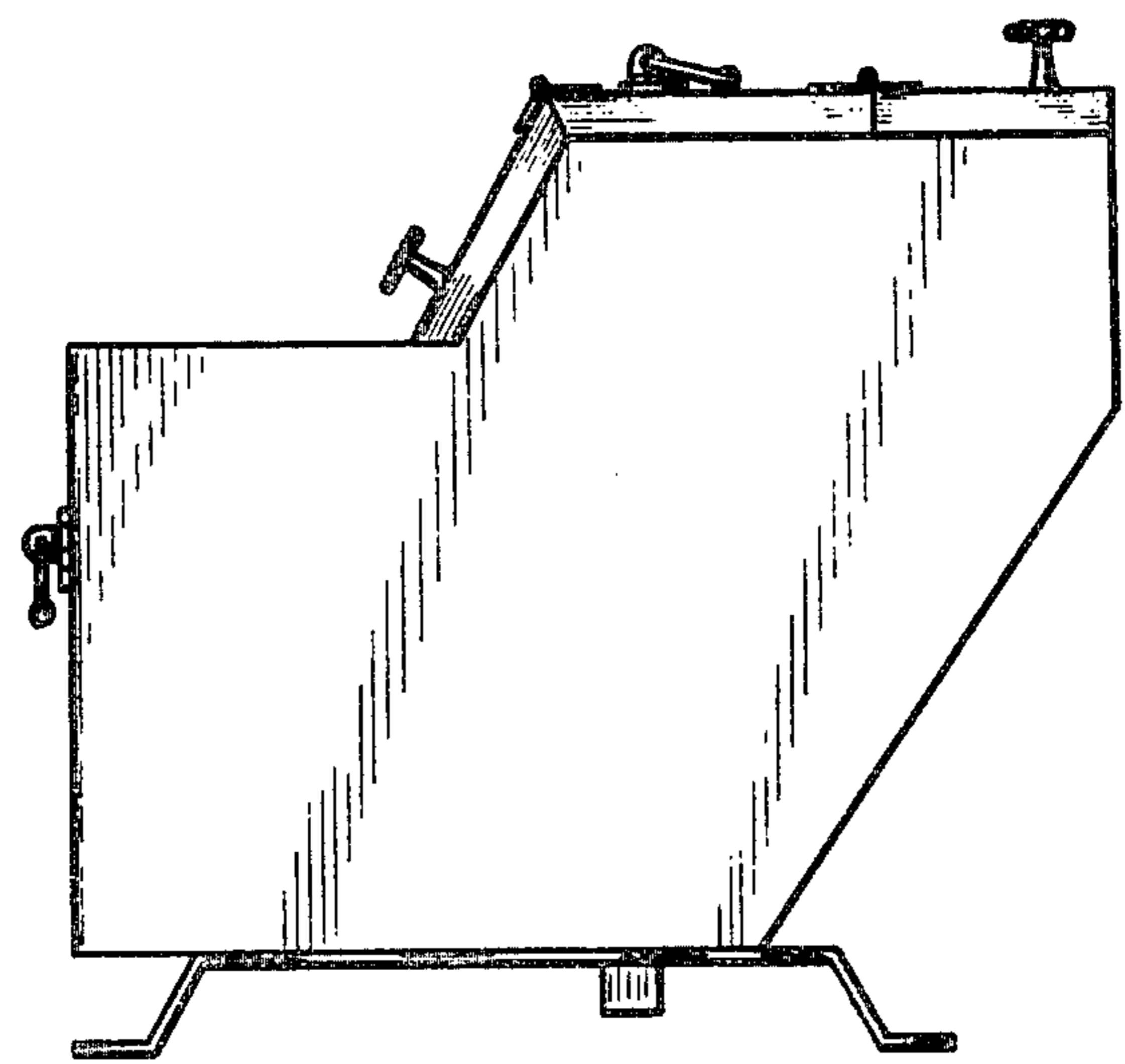


FIG. 2

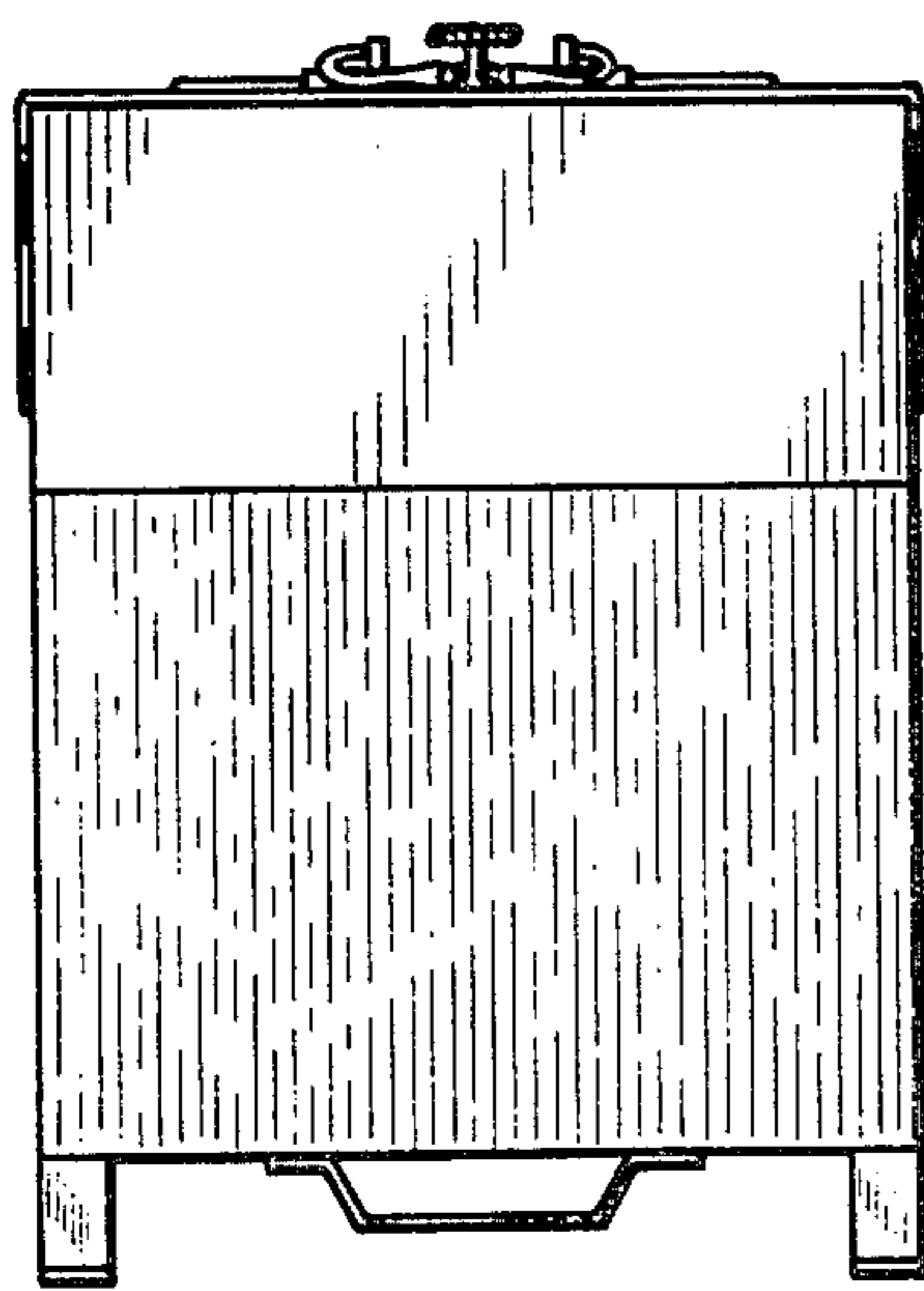


FIG. 4