

[54] **COSMETIC COMPACT**

[75] **Inventor: Brian Davey, North Shields, England**

[73] **Assignee: Lion Brush Works Limited,
Newcastle-upon-Tyne, England**

[**] **Term: 14 Years**

[21] **Appl. No.: 389,804**

[22] **Filed: Jun. 18, 1982**

[30] **Foreign Application Priority Data**

Dec. 21, 1981 [GB] United Kingdom 1004323

Jan. 13, 1982 [GB] United Kingdom 1004593

[52] **U.S. Cl. D28/77; D28/88**

[58] **Field of Search D28/4, 7, 9, 73, 76-82,
D28/99, 84-89; D9/341, 345, 347, 349, 352,
355, 403, 337, 338; 206/235, 385, 581, 823;
220/DIG. 26; 132/1 R, 79 R-79 D, 79 F, 79 G,
88.5, 88.7, DIG. 3, 82 R, 82 A, 82 C, 82 D, 82
F**

[56] **References Cited**

U.S. PATENT DOCUMENTS

D. 194,716	2/1963	Edell	D28/77 X
D. 228,419	9/1973	Bettonica	D28/78
2,476,686	7/1949	Smith et al.	D28/73 X
2,964,045	12/1960	Otto et al.	D28/77 X

Primary Examiner—Louis S. Zarfes

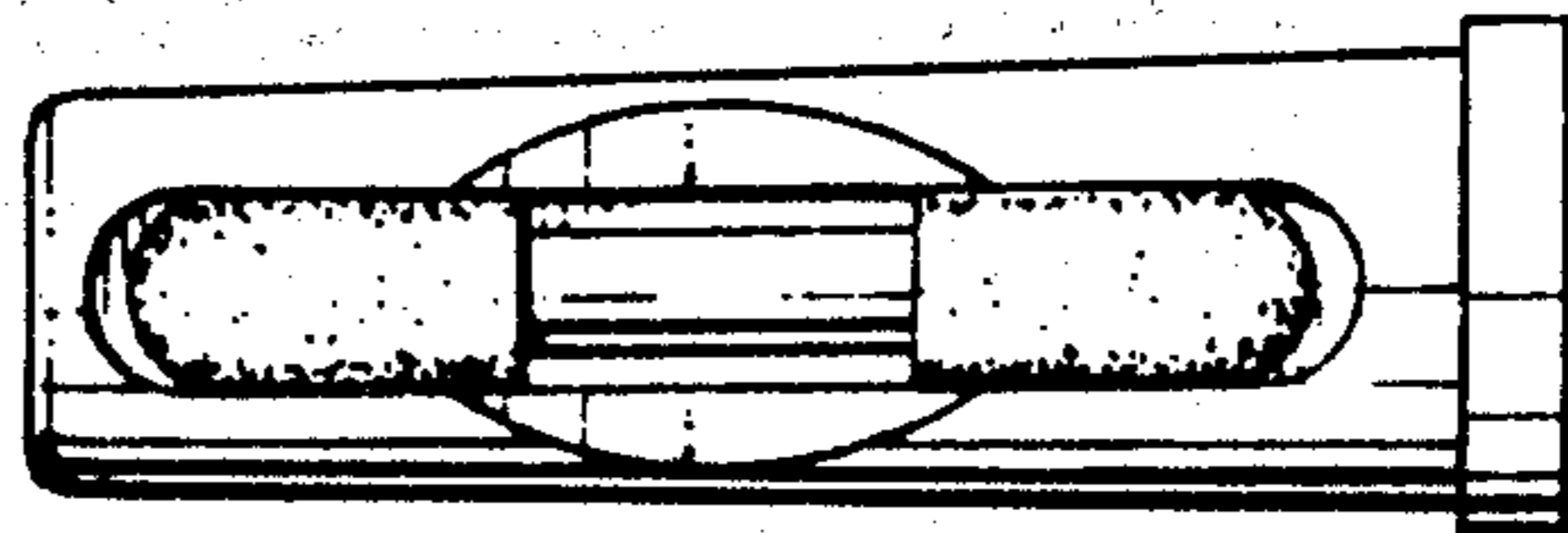
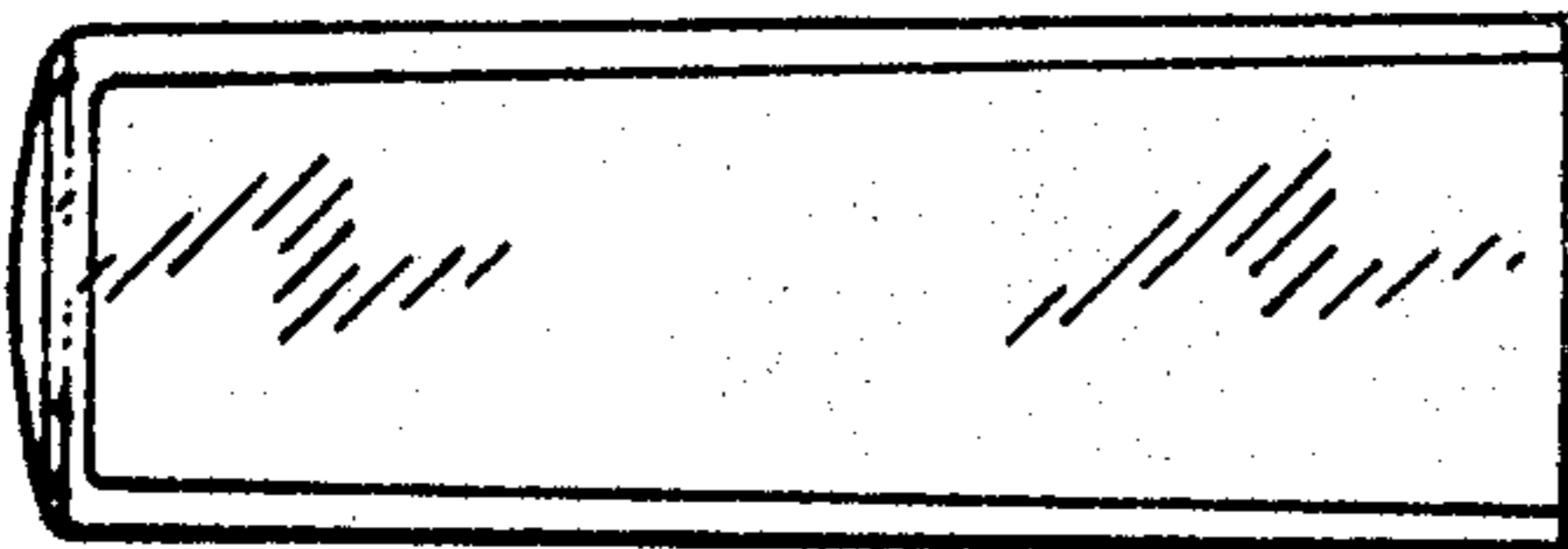
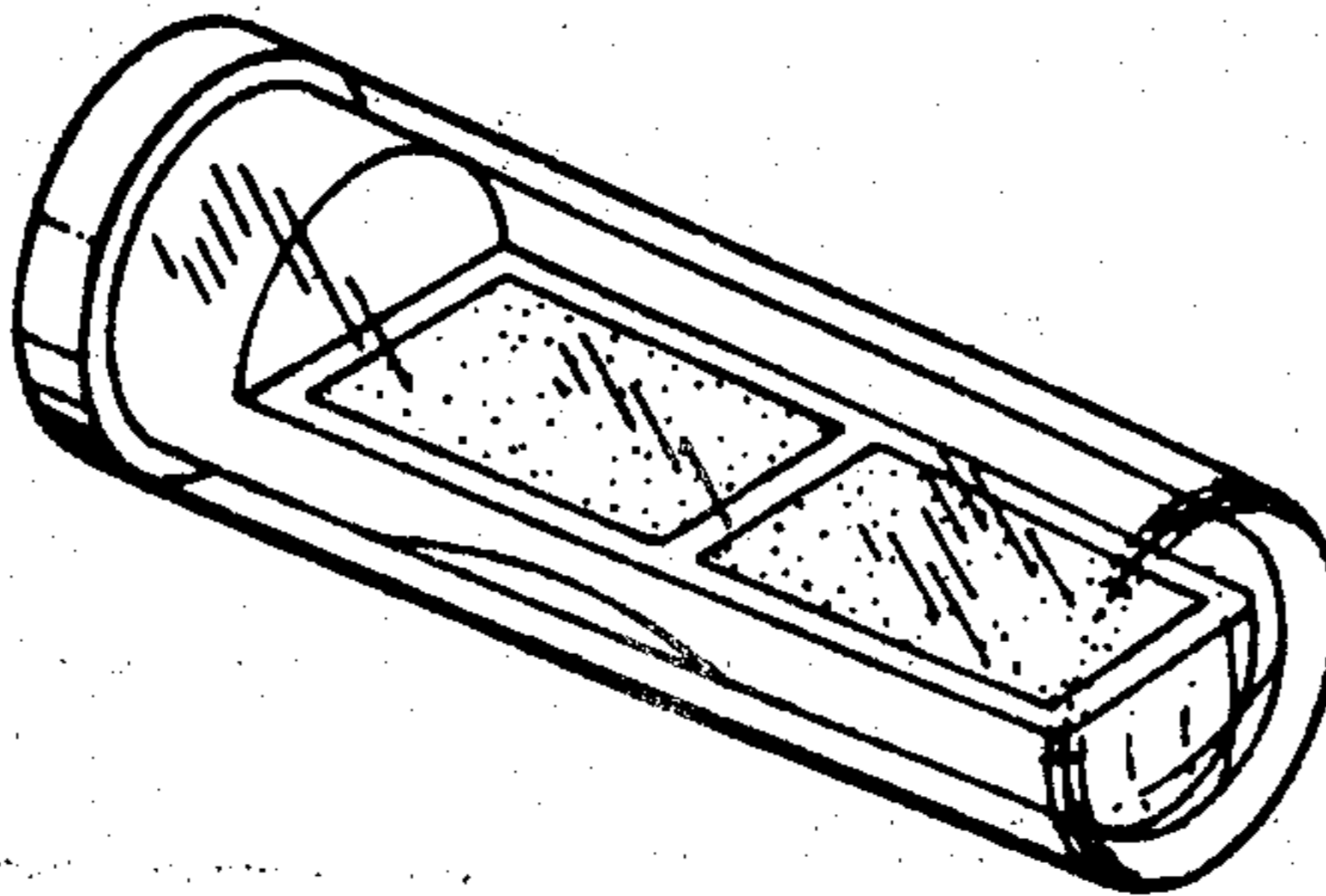
Attorney, Agent, or Firm—Flynn, Thiel, Boutell & Tanis

[57] **CLAIM**

The ornamental design for a cosmetic compact, as shown and described.

DESCRIPTION

FIG. 1 is a top front perspective view of a cosmetic compact showing my new design; FIG. 2 is an exploded right side elevational view thereof; FIG. 3 is an exploded top plan view thereof; and FIG. 4 is a rear elevational view thereof.



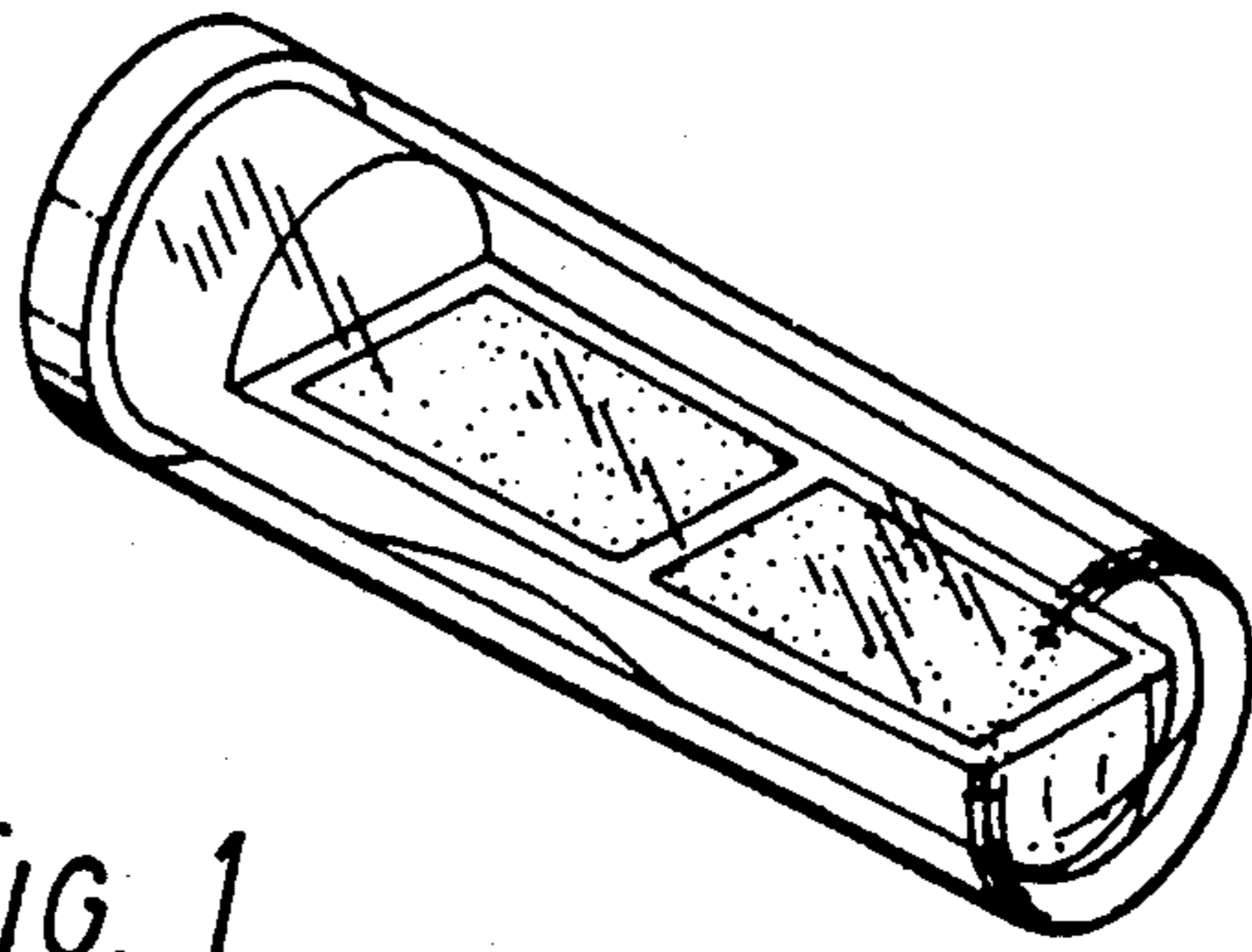


FIG. 1

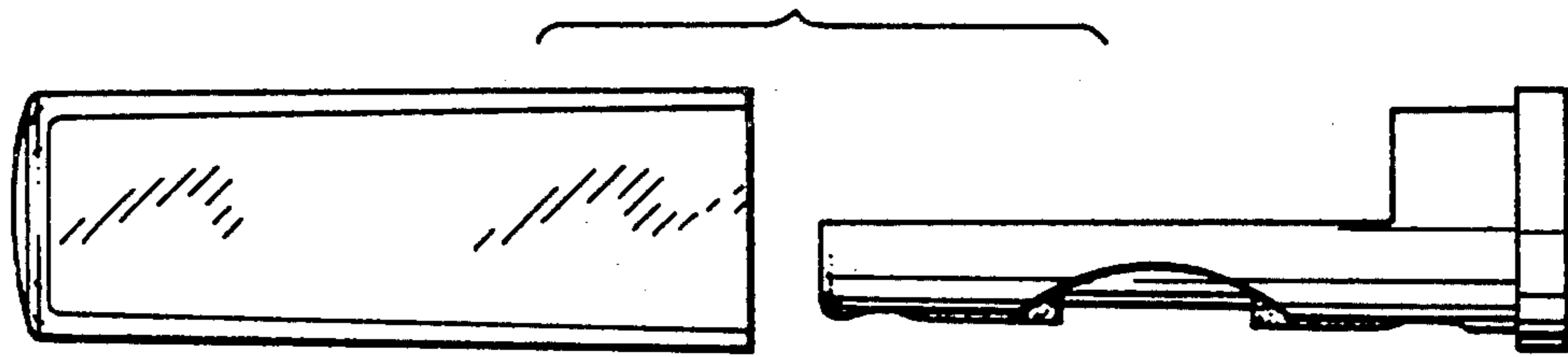


FIG. 2



FIG. 3

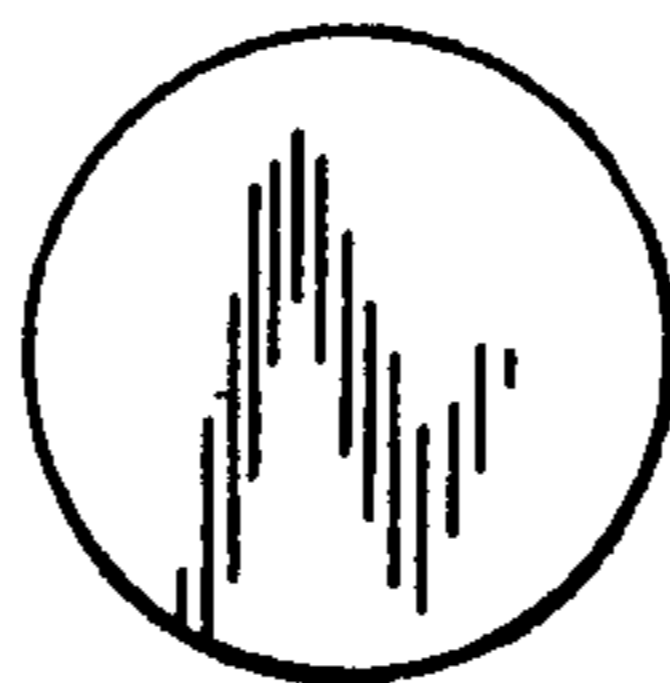


FIG. 4