

[54] AIR CLEANER

[75] Inventor: Tak T. Tse, Kowloon, Hong Kong

[73] Assignee: Motor Electric Manufacturing Co., Ltd., Kowloon, Hong Kong

[**] Term: 14 Years

[21] Appl. No.: 447,644

[22] Filed: Dec. 7, 1982

[30] Foreign Application Priority Data

Jun. 7, 1982 [GB] United Kingdom 1007133

[52] U.S. Cl. D23/149

[58] Field of Search D23/145-149; 55/279, 316, 467-473

[56] References Cited

U.S. PATENT DOCUMENTS

- D. 221,763 9/1971 Gilbertson D23/149
- D. 266,585 10/1982 Rakoev D23/149
- D. 267,114 11/1982 Lynch, Jr. et al. D23/149
- 3,745,750 7/1973 Arff 55/316 X

- 3,861,894 1/1975 Marsh 55/316
- 3,966,442 6/1976 Waters 55/316
- 4,148,618 4/1979 Christenson et al. 55/467 X
- 4,272,261 6/1981 Lynch, Jr. et al. 55/279
- 4,344,776 8/1982 Yavnieli 55/279
- 4,361,427 11/1982 Barradas 55/316 X
- 4,377,399 3/1983 Bryson 55/472 X

Primary Examiner—James R. Largen
Attorney, Agent, or Firm—Bacon & Thomas

[57] CLAIM

The ornamental design for an air cleaner, substantially as shown and described.

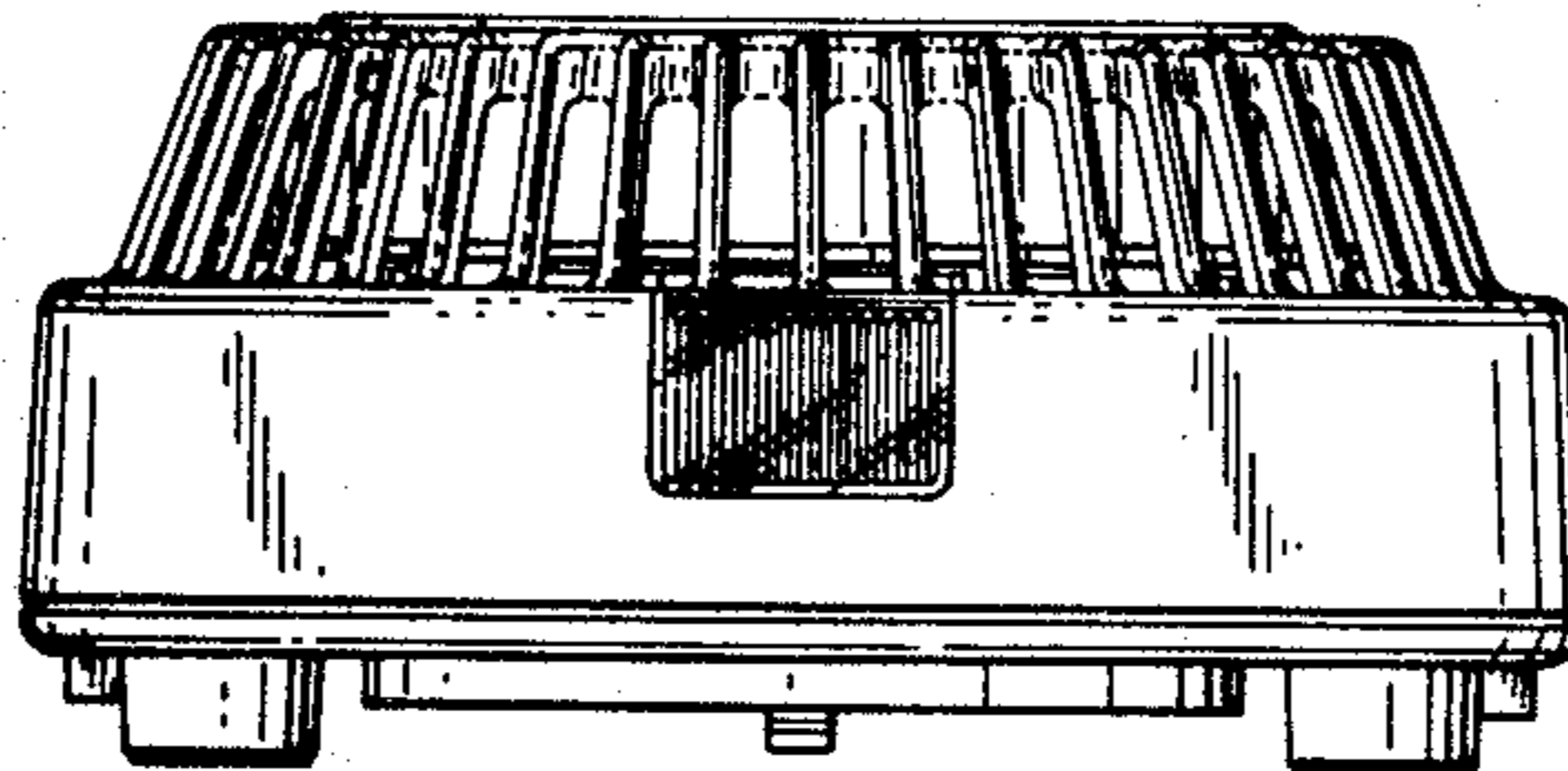
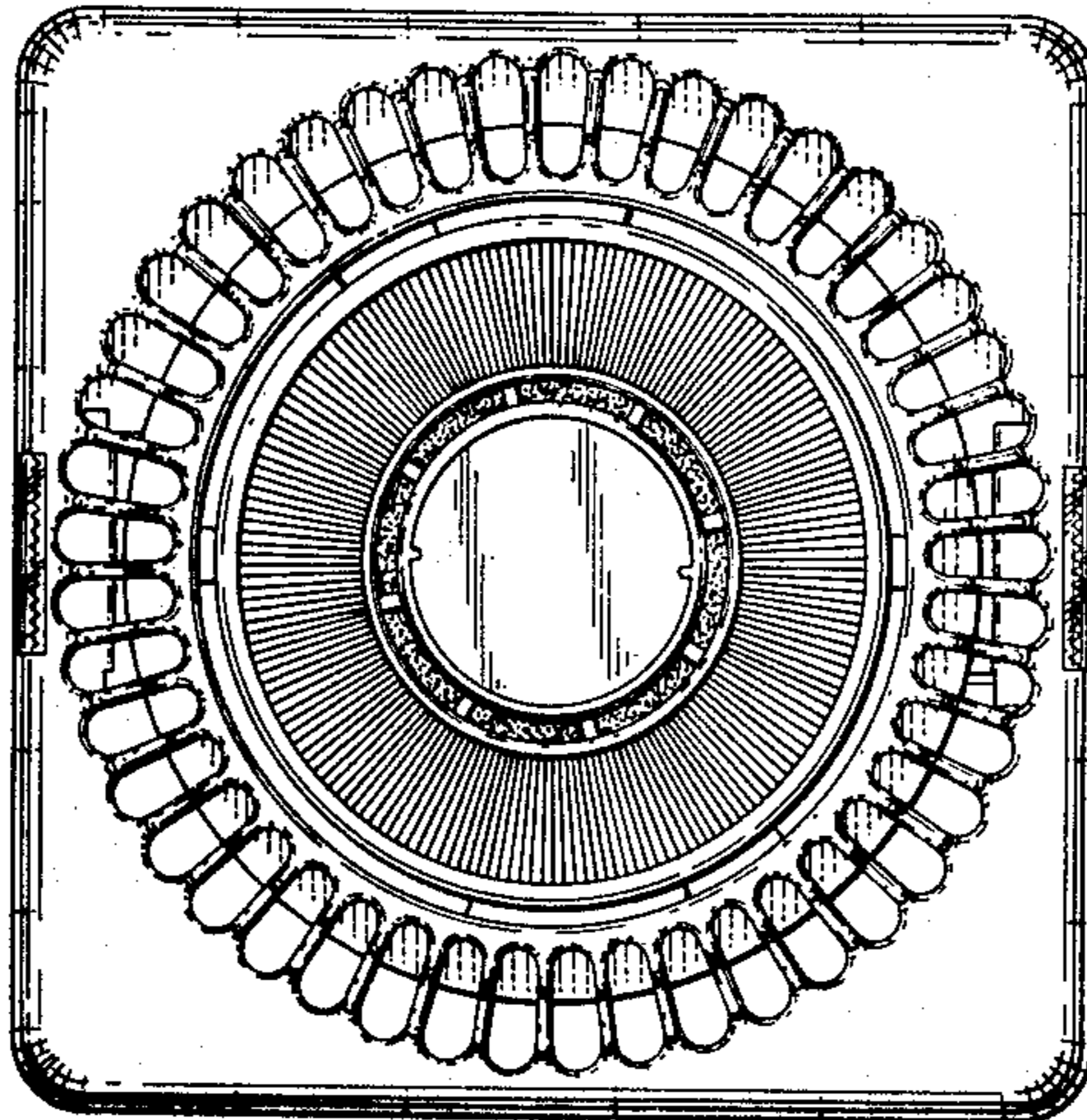
DESCRIPTION

FIG. 1 is a top plan view of an air cleaner showing my new design;

FIG. 2 is an elevational view taken from one side thereof, the opposite side being the same as the side shown;

FIG. 3 is a front elevational view thereof, the rear being the same as the front shown; and

FIG. 4 is a bottom perspective view thereof.



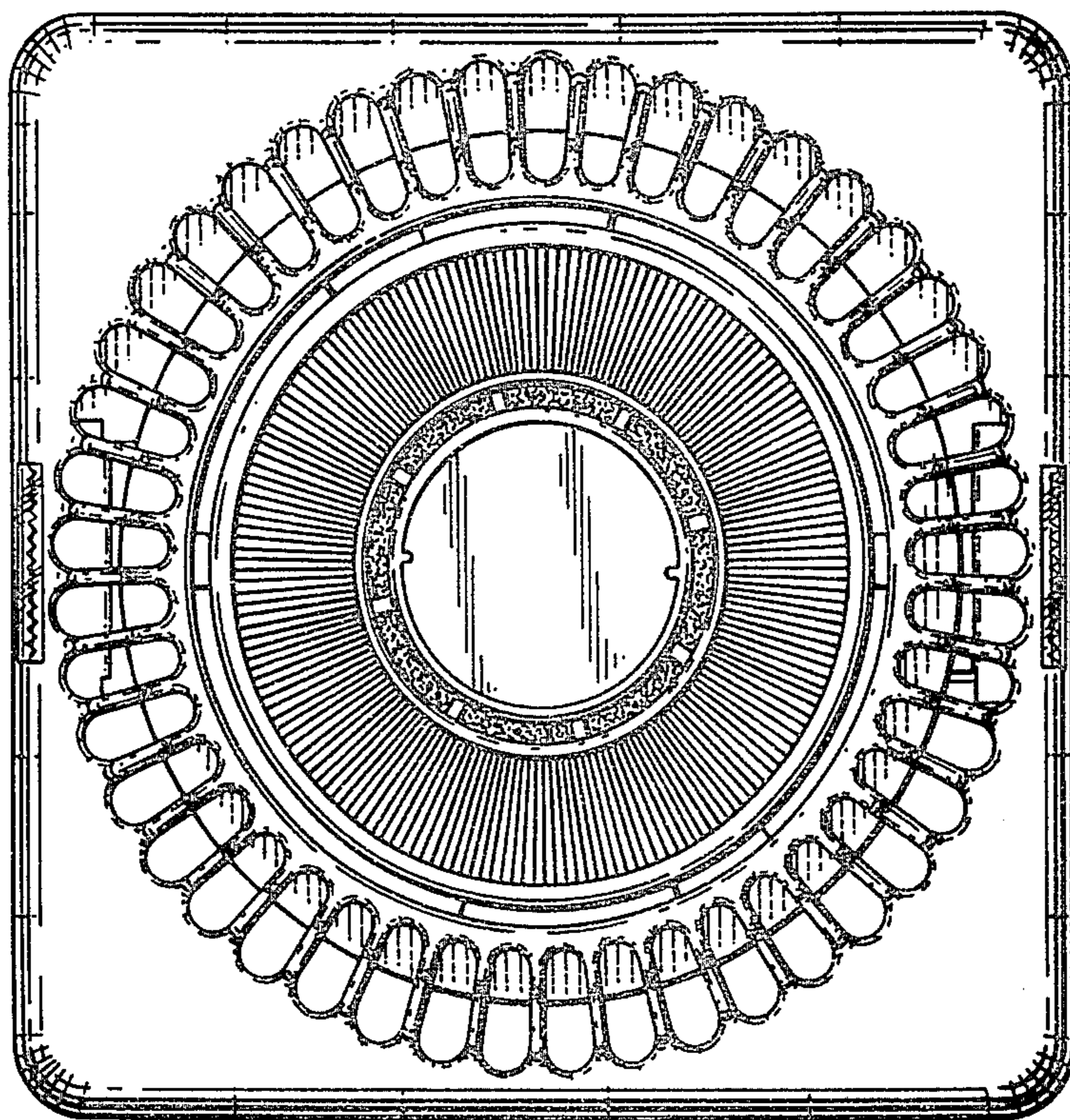


FIG. 1.

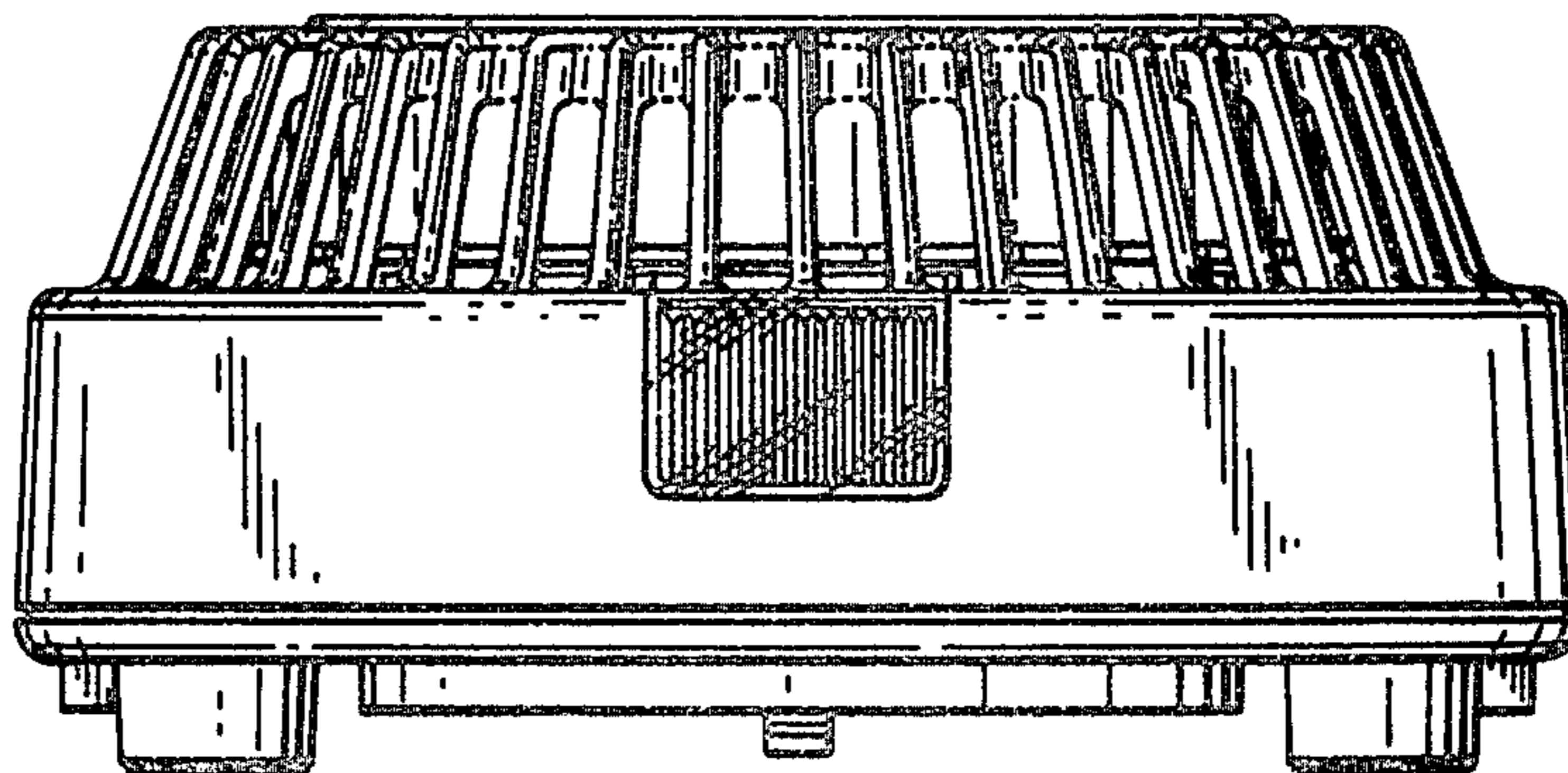


FIG. 2.

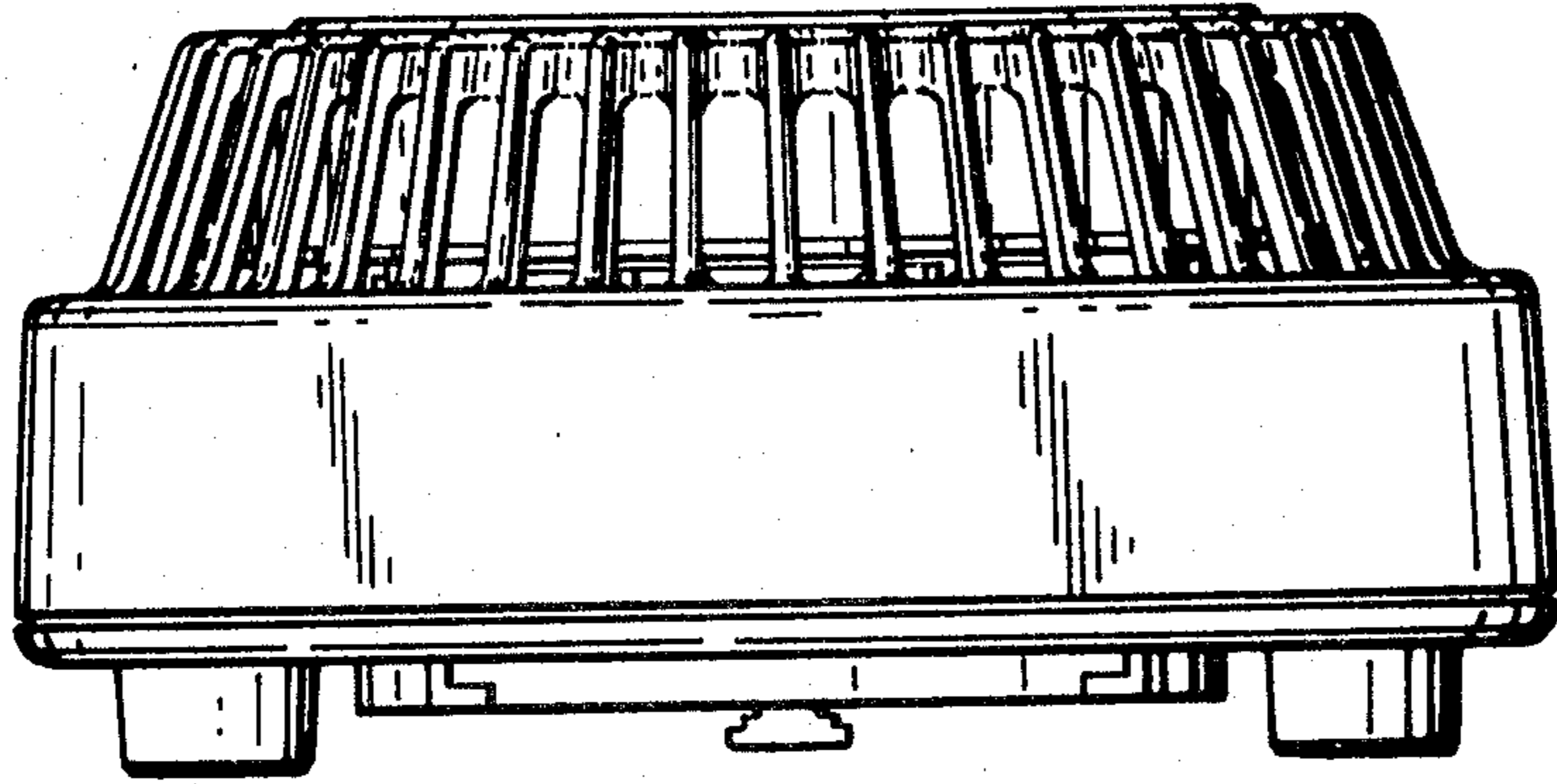


FIG. 3.

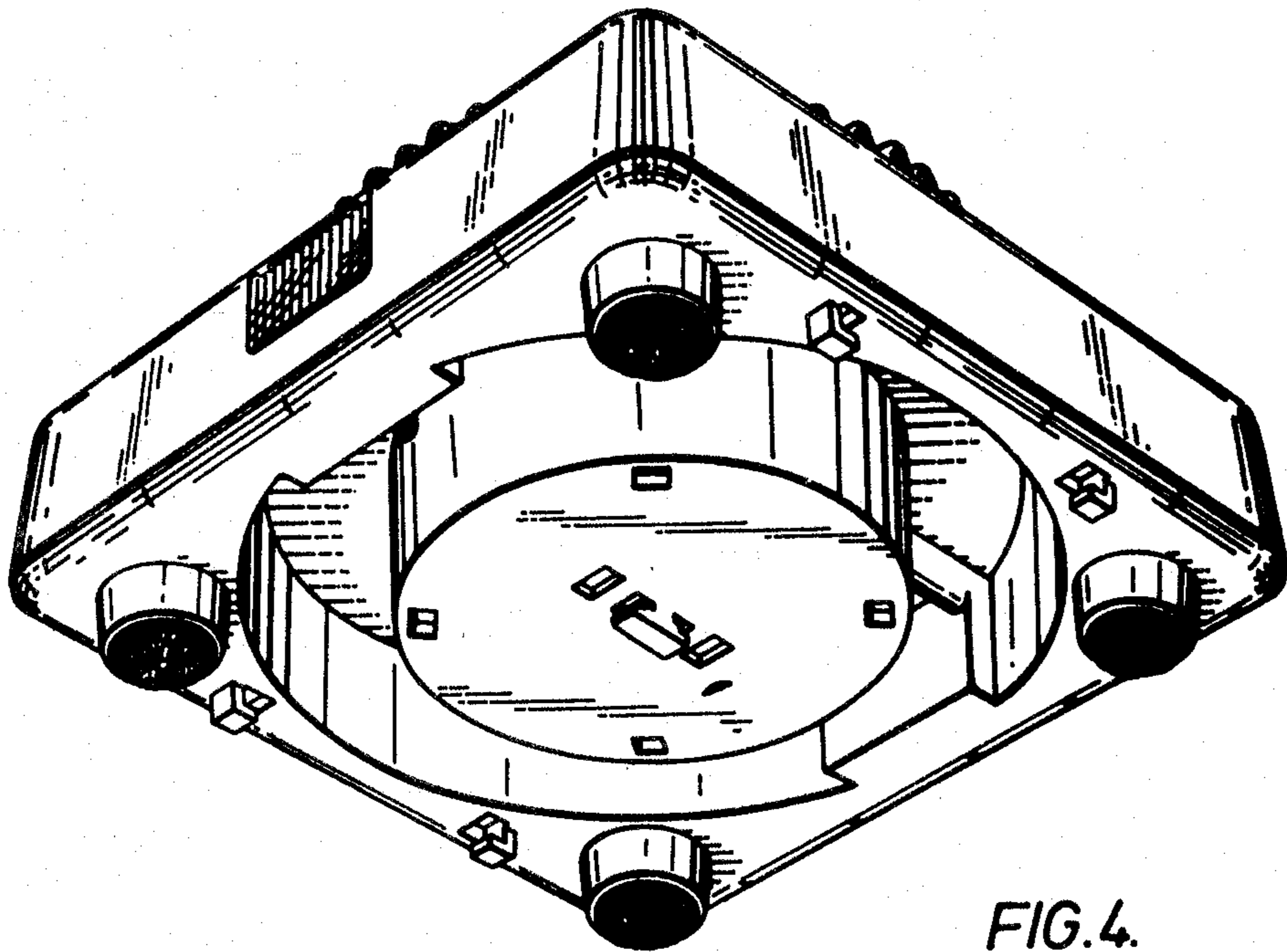


FIG. 4.