

[54] COMBINED WASHER AND ASPIRATOR
DEVICE FOR A SOLID BODY MEMBER

3,949,771 4/1976 Dodge et al. 134/174 X
4,150,673 4/1979 Watt 604/408

[75] Inventors: Frank Bing, Jr., Buffalo Grove; Paul
L. Eck, Deerfield, both of Ill.;
Tommy B. Haas, Riverton, Utah

Primary Examiner—Bernard Ansher
Attorney, Agent, or Firm—Martin L. Katz; James L.
Wilcox

[73] Assignee: Abbott Laboratories, North Chicago,
Ill.

[57] CLAIM

The ornamental design for a combined washer and
aspirator device for a solid body member, substantially
as shown and described.

[**] Term: 14 Years

[21] Appl. No.: 315,689

DESCRIPTION

[22] Filed: Oct. 28, 1981

FIG. 1 is a perspective view of our new design for a
combined washer and aspirator device for a solid body
member;

[52] U.S. Cl. D23/40; D24/99

FIG. 2 is a front view in side elevation of FIG. 1;

[58] Field of Search D23/40; 134/94, 182,
134/174, 195, 198; D24/34, 99; 604/408

FIG. 3 is an end view as seen from the left side of FIG.
1;

[56] References Cited

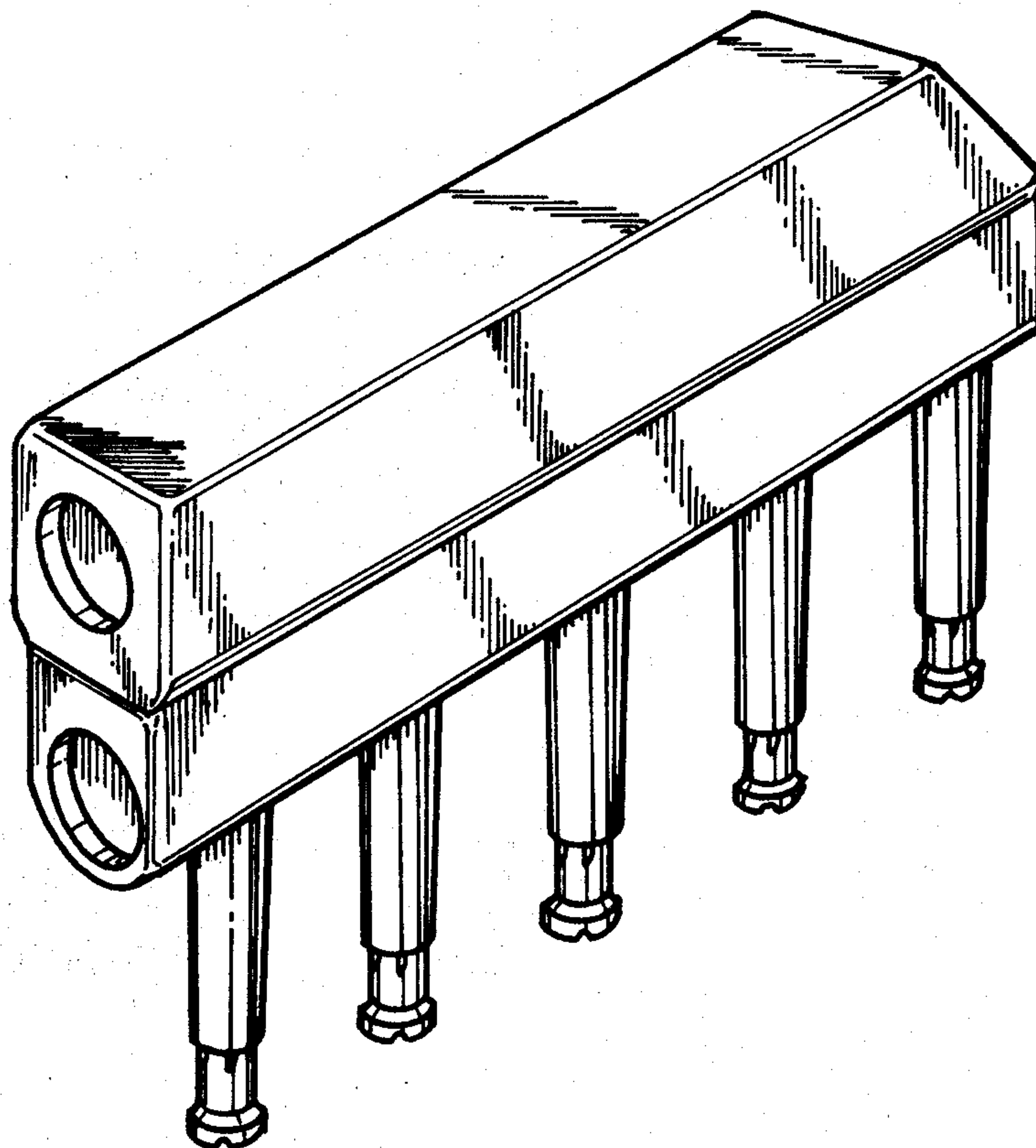
U.S. PATENT DOCUMENTS

D. 213,317 2/1969 Nelson D23/40
D. 241,756 10/1976 Gray D23/40

FIG. 4 is a bottom plan view of FIG. 1;

FIG. 5 is a top plan view of FIG. 1;

FIG. 6 is an end view as seen from the right side of FIG.
1.



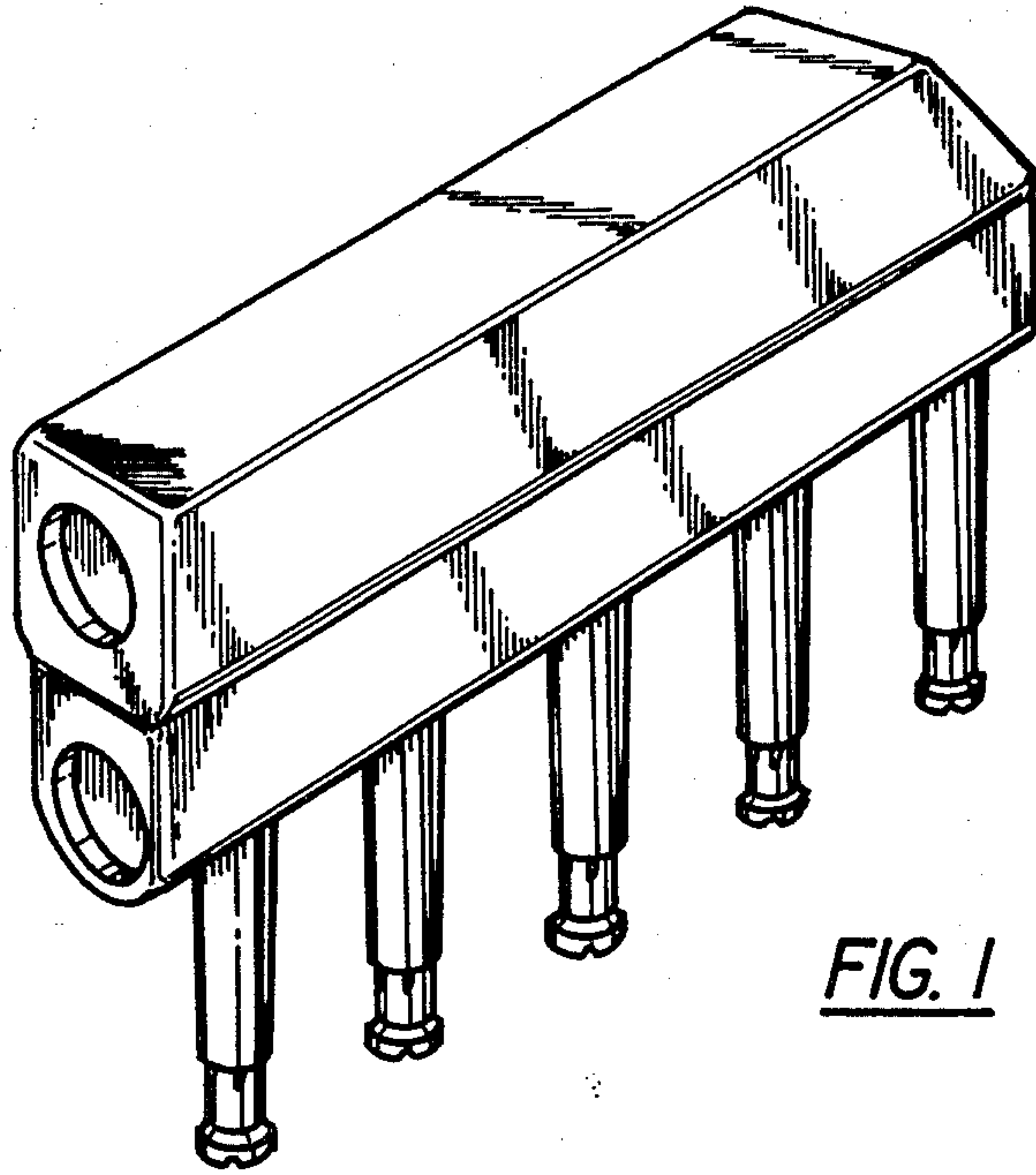


FIG. 1



FIG. 3

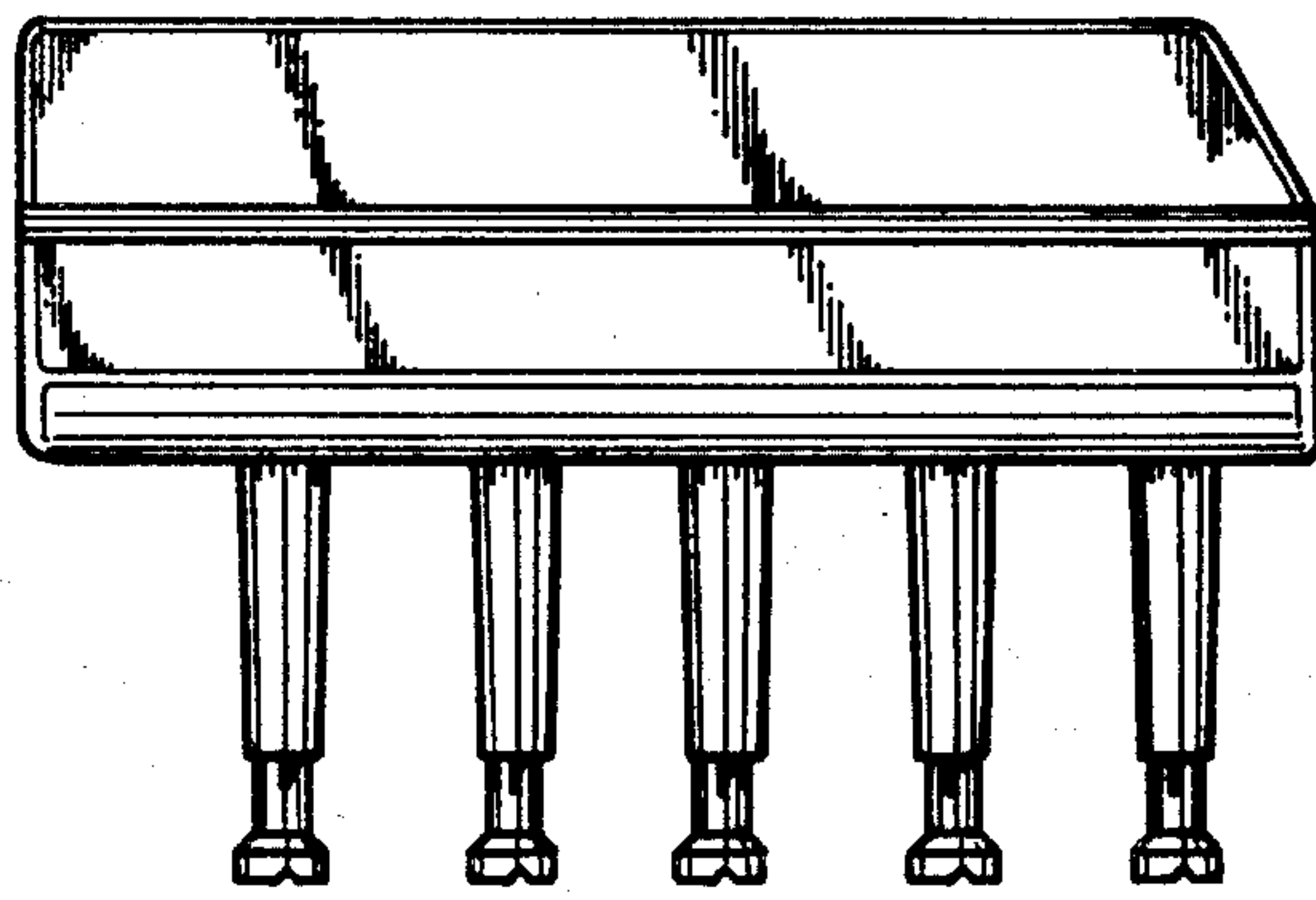


FIG. 2

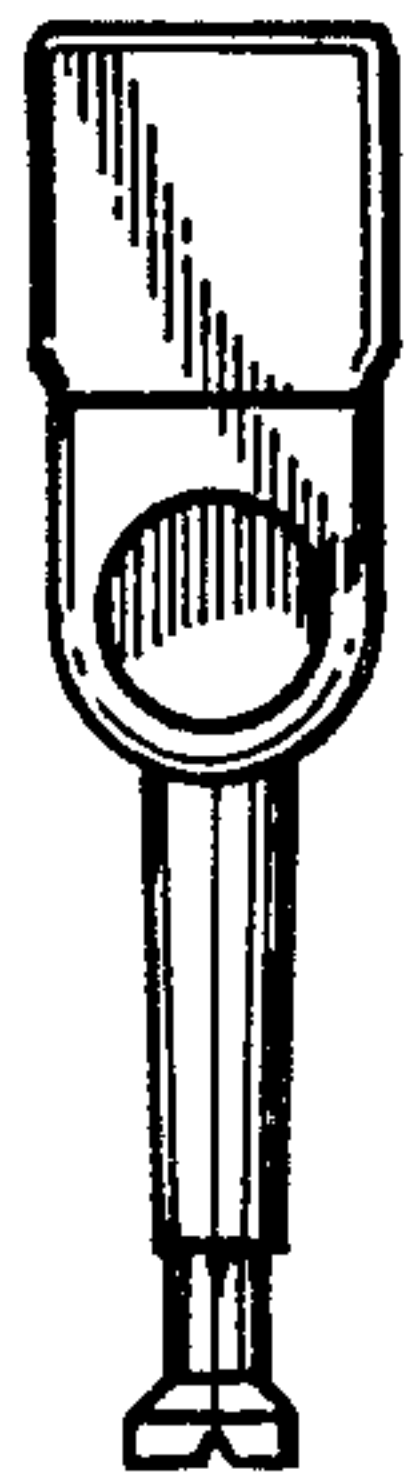


FIG. 6

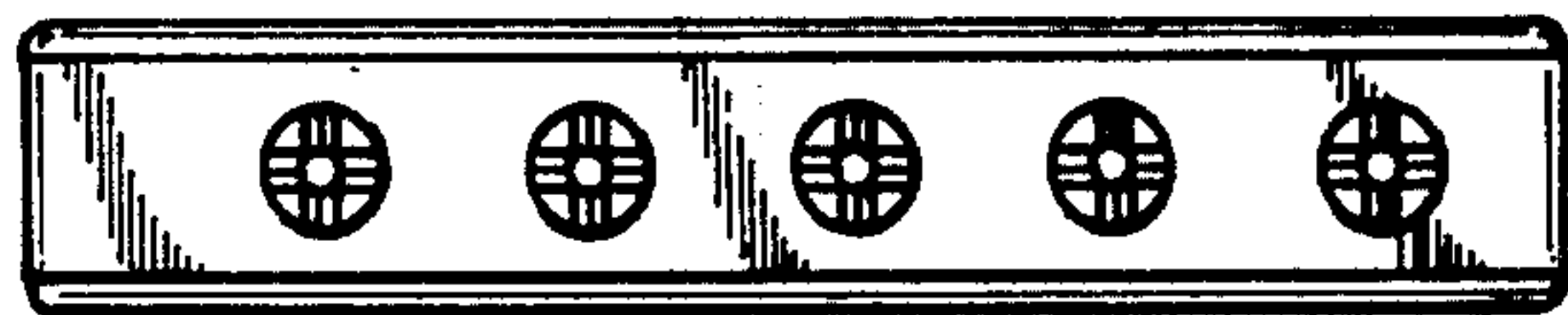


FIG. 4

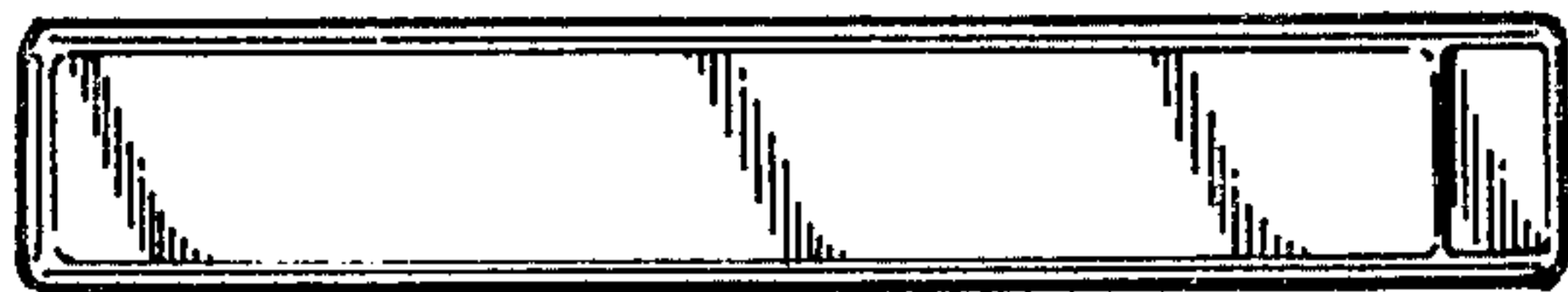


FIG. 5