

[54] **DOUBLE ROULETTE WHEEL**
 [75] Inventor: **Clinton Mickens**, Los Angeles, Calif.
 [73] Assignee: **Vance J. Baham**, Inglewood, Calif.
 [**] Term: **14 Years**
 [21] Appl. No.: **399,547**
 [22] Filed: **Jul. 19, 1982**
 [52] U.S. Cl. **D21/40; D21/22; D21/39**
 [58] Field of Search **D21/40, 39, 37, 41, D21/32, 22; 273/142 JA, 142 JC, 142 R**

353,114 11/1886 Baxter 273/142 JA
 696,735 4/1902 Heidinger 273/142 JA
 1,573,384 2/1926 Lieske 273/142 JC

Primary Examiner—Melvin B. Feifer
Attorney, Agent, or Firm—Dominick Nardelli

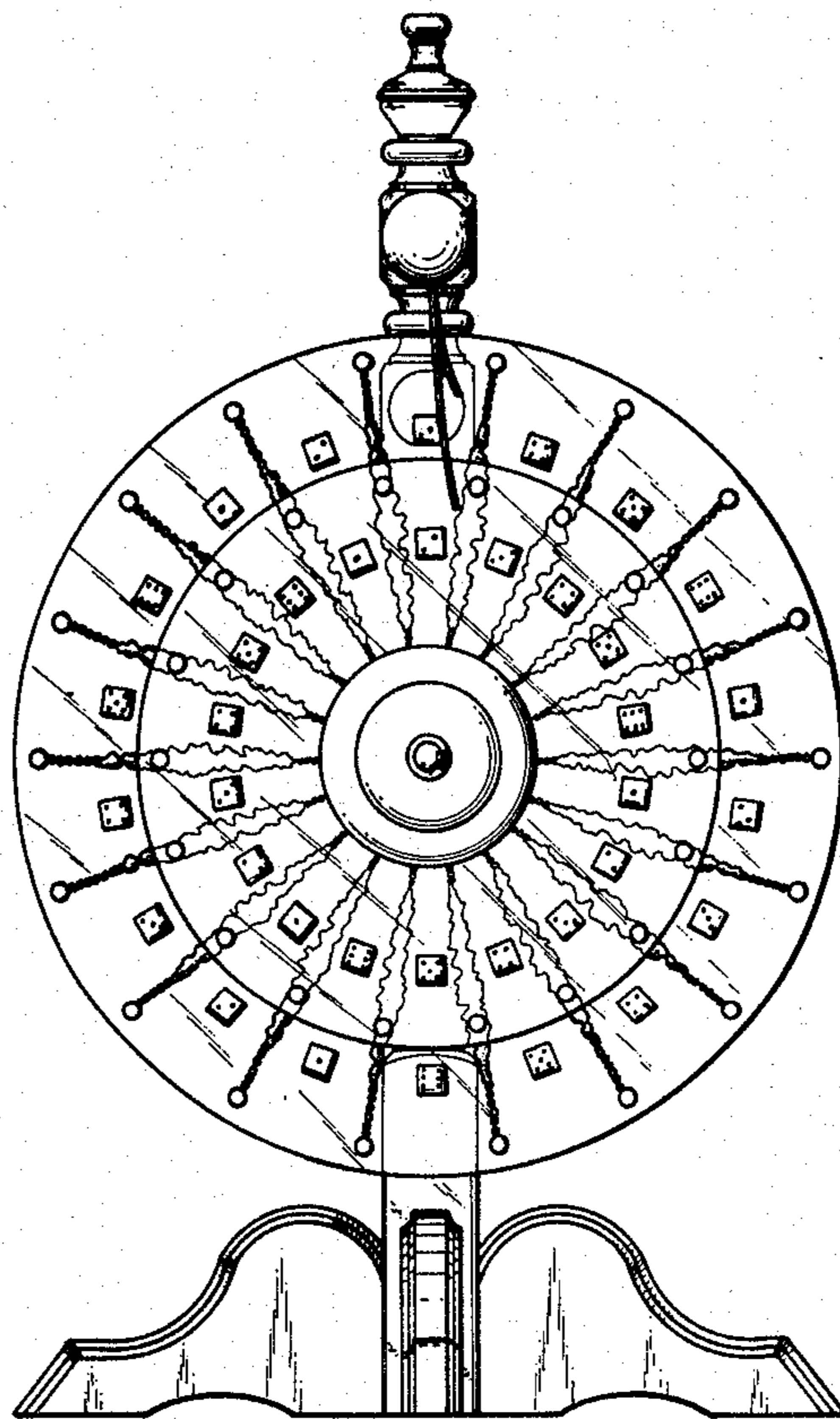
[57] **CLAIM**

The ornamental design for a double roulette wheel, as shown and described.

DESCRIPTION

FIG. 1 is a front elevation of the double roulette wheel showing my new design.
 FIG. 2 is a top view thereof.
 FIG. 3 is a right side elevation thereof, the left side elevation is identical mirror image.
 FIG. 4 is a bottom view thereof.
 FIG. 5 is a back view thereof.

[56] **References Cited**
U.S. PATENT DOCUMENTS
 D. 89,035 1/1933 Chalk D21/22
 D. 92,835 7/1934 Brown et al. D21/39



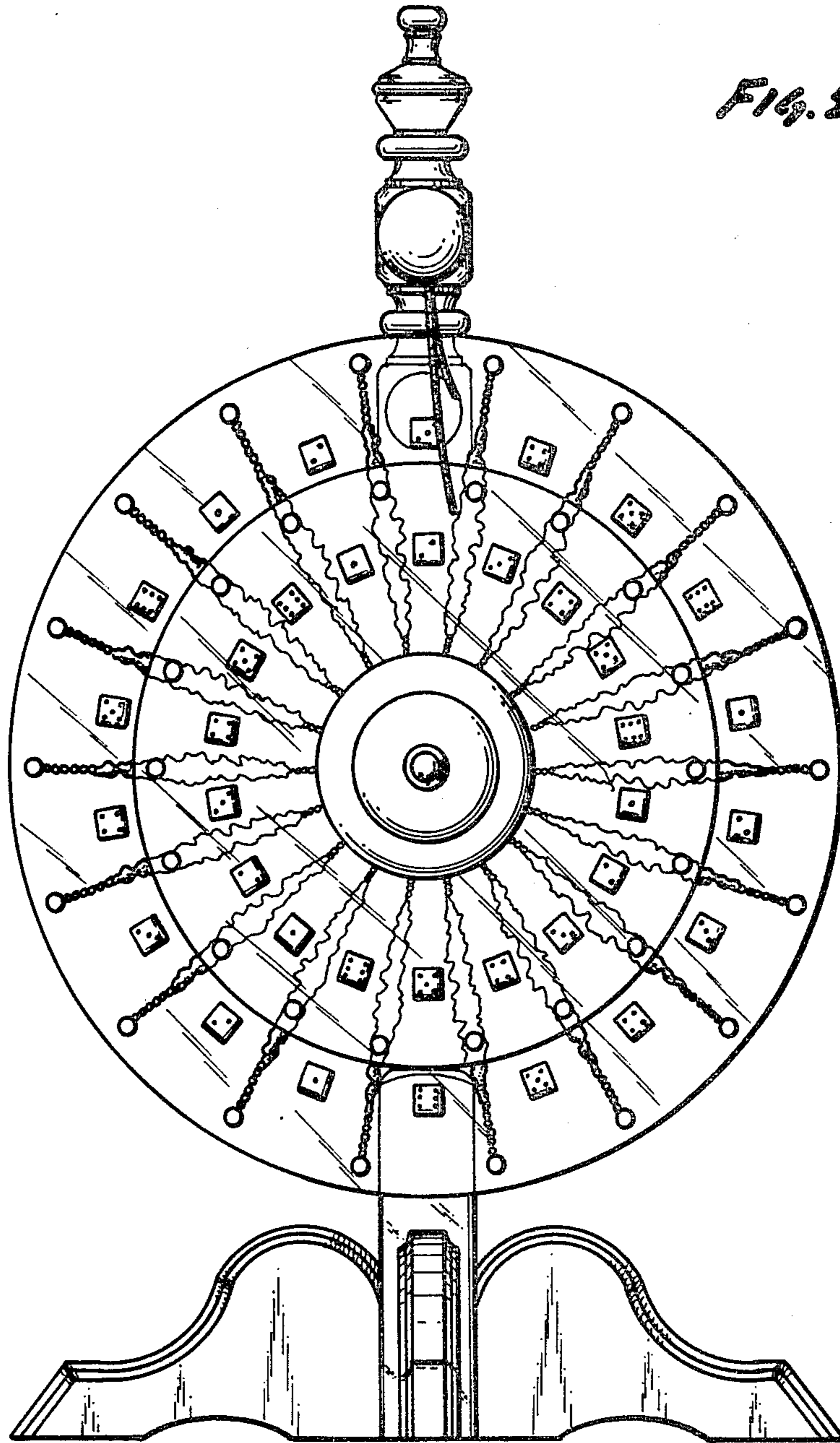


Fig. 1

Fig. 2

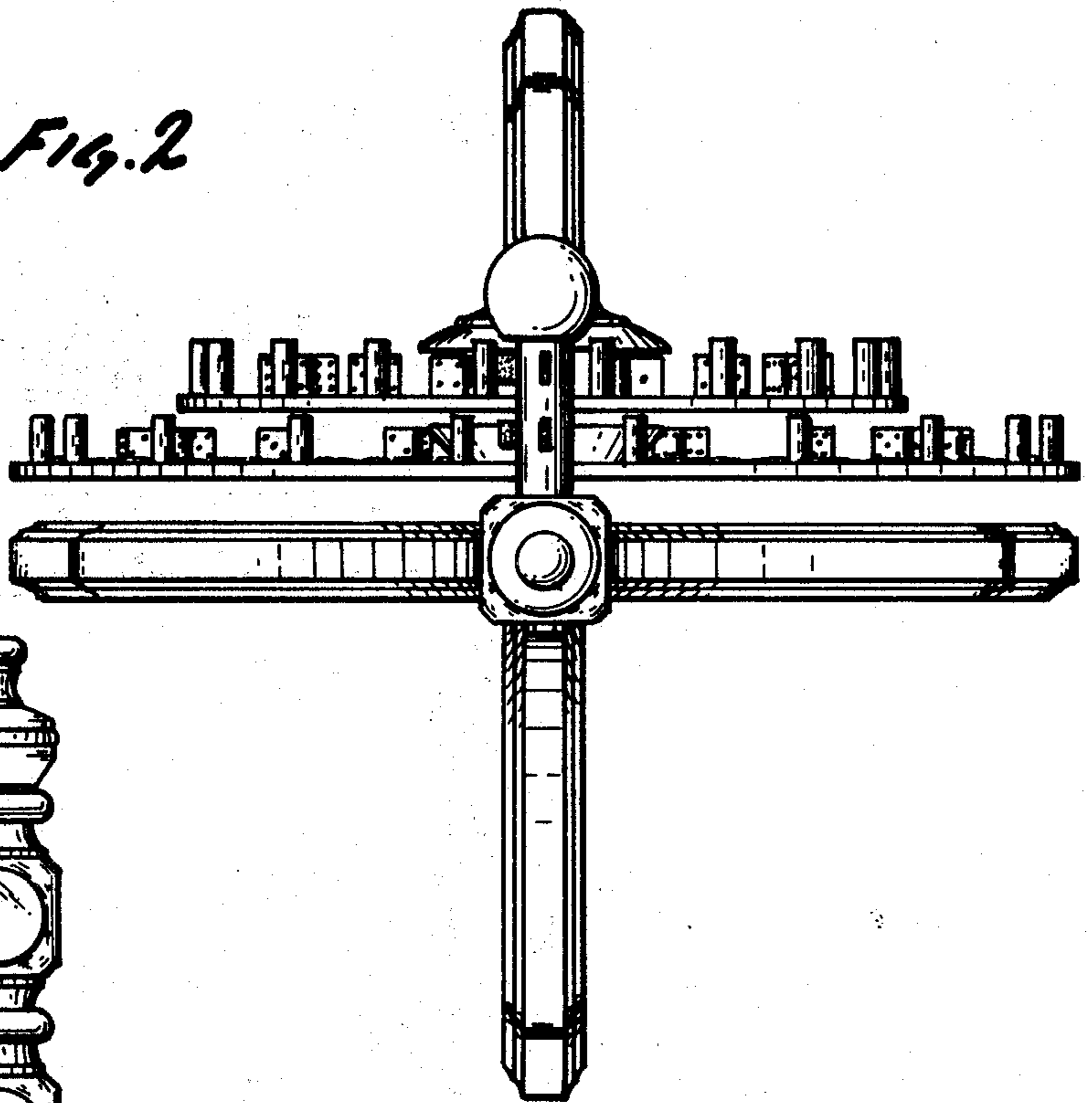


Fig. 3

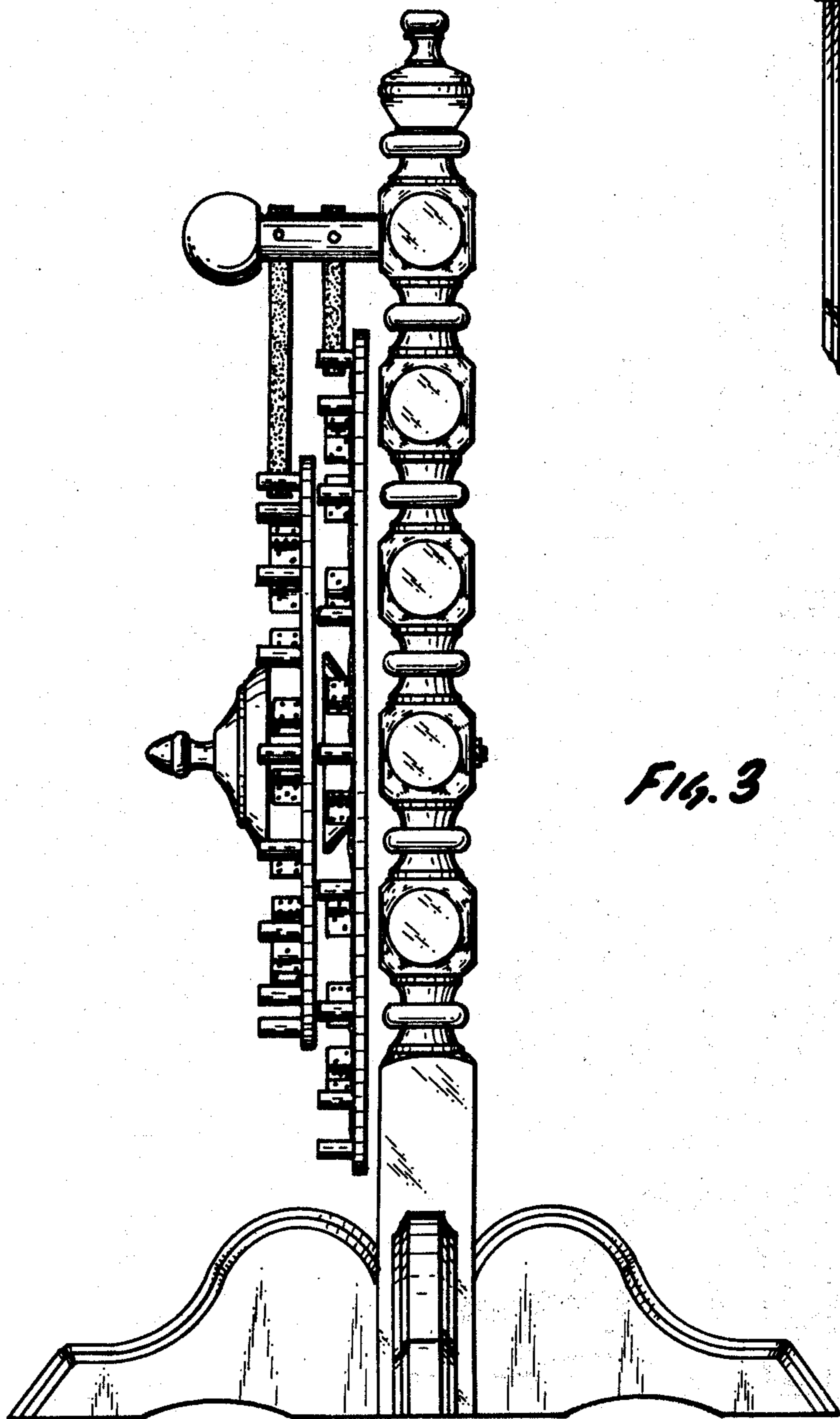


Fig. 4

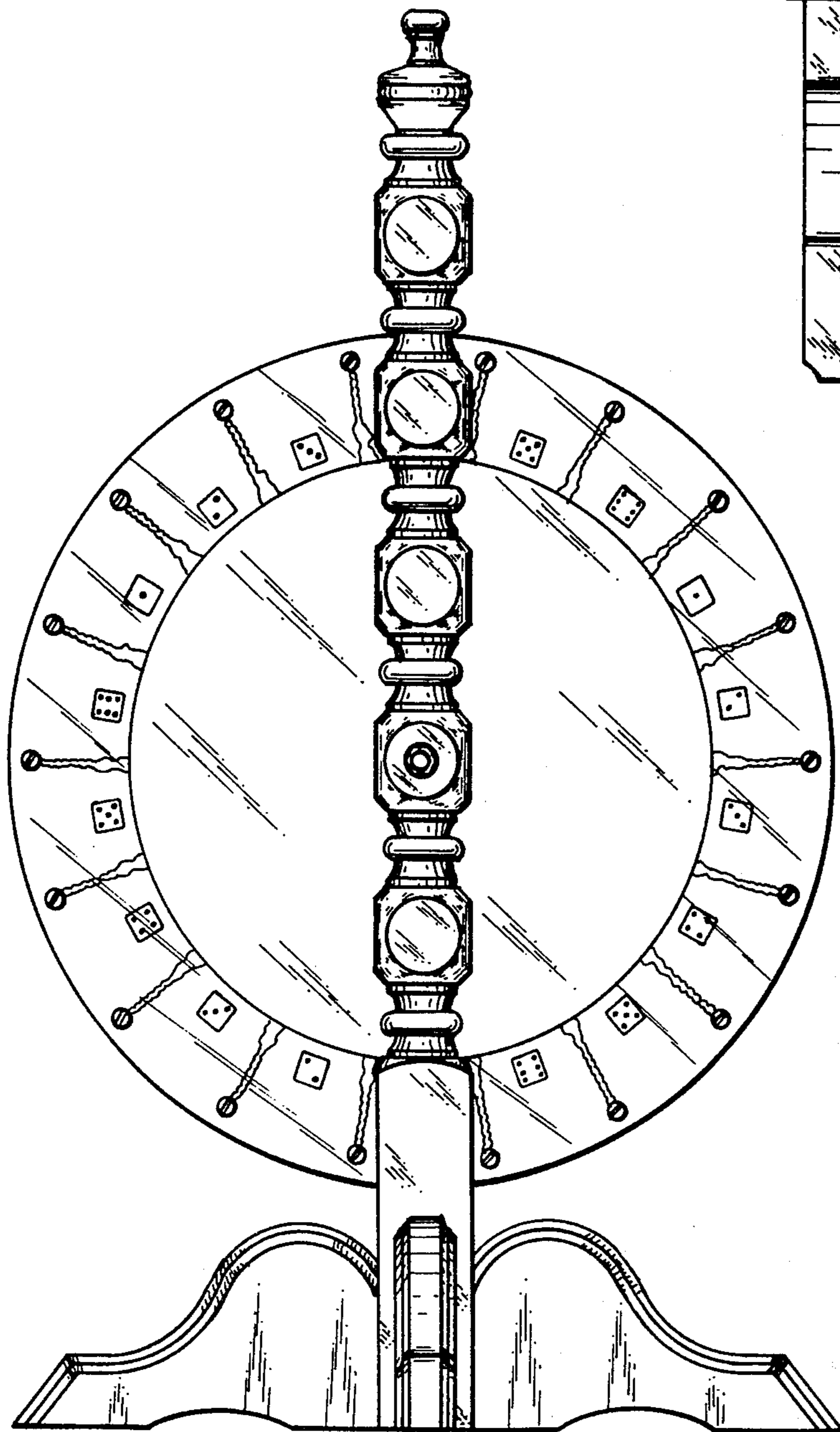
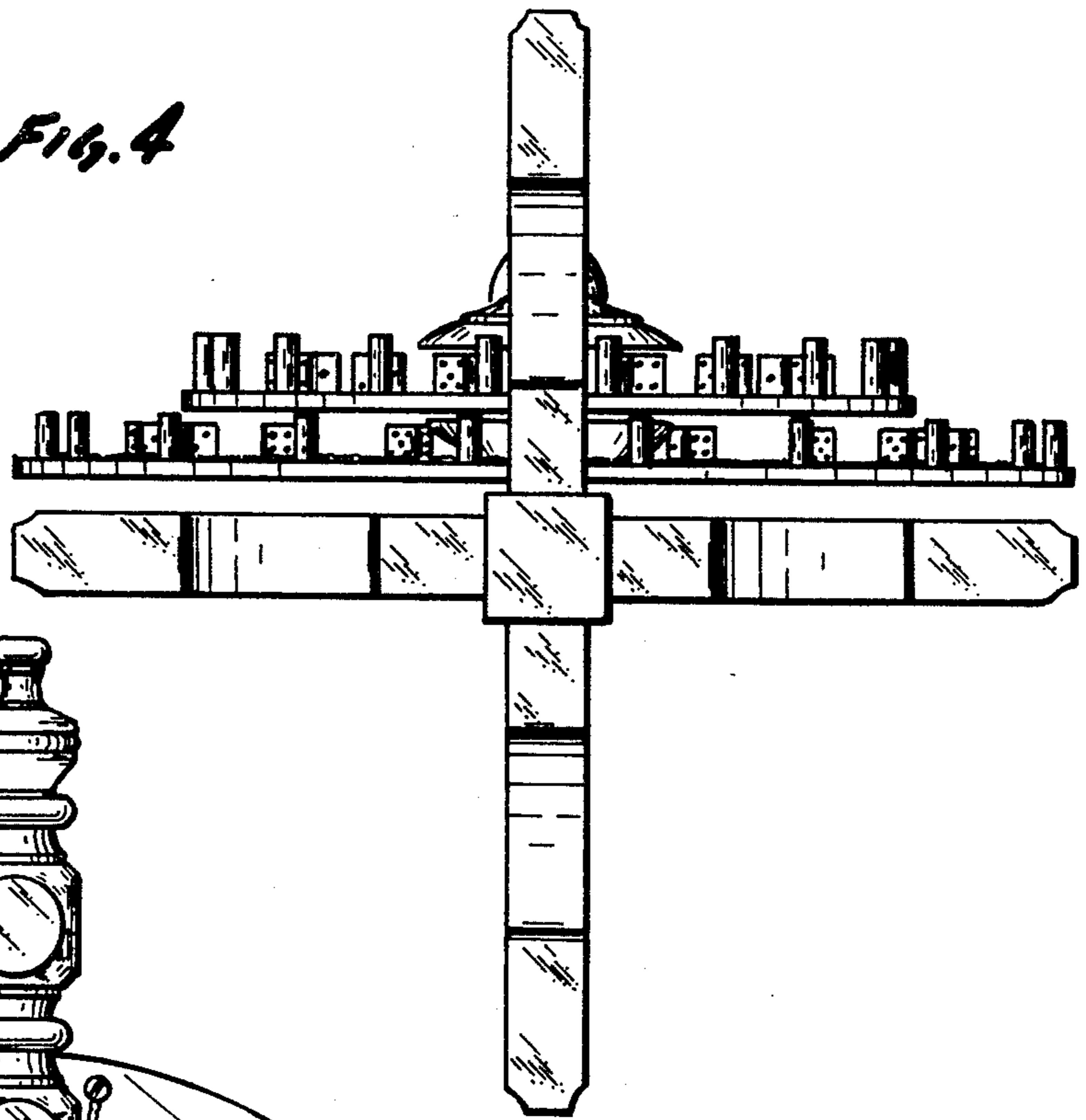


Fig. 5