

[54] ELECTRONIC GAME HOUSING

[76] Inventor: James C. Wickstead, Pitney Rd. and W. Main St., Mendham, N.J. 07945

[**] Term: 14 Years

[21] Appl. No.: 383,382

[22] Filed: May 28, 1982

[52] U.S. Cl. D21/13

[58] Field of Search D21/13, 1; 273/1 E, 273/1 GC, 1 ES, DIG. 28, 237, 85 G

[56] References Cited

PUBLICATIONS

Playthings, Feb. 1980, p. 110, lower left, Megamax Game Board.

Sears Xmas Cat., 1981, p. 658, upper left, item No. 2, "Quiz Wiz".

Hong Kong Toys, 1980, p. 168, lower left, Electronic Game Board.

Primary Examiner—Melvin B. Feifer
Attorney, Agent, or Firm—Blum, Kaplan, Friedman, Silberman & Beran

[57] CLAIM

The ornamental design for an electronic game housing, as shown and described.

DESCRIPTION

FIG. 1 is a front perspective view of an electronic game housing showing my new design;

FIG. 2 is a right side elevational view of the electronic game of FIG. 1, the right side elevational view being identical;

FIG. 3 is a top plan view of the electronic game of FIG. 1;

FIG. 4 is a front elevational view of the electronic game of FIG. 1;

FIG. 5 is a rear elevational view of the electronic game of FIG. 1; and

FIG. 6 is a bottom plan view of the electronic game of FIG. 1.

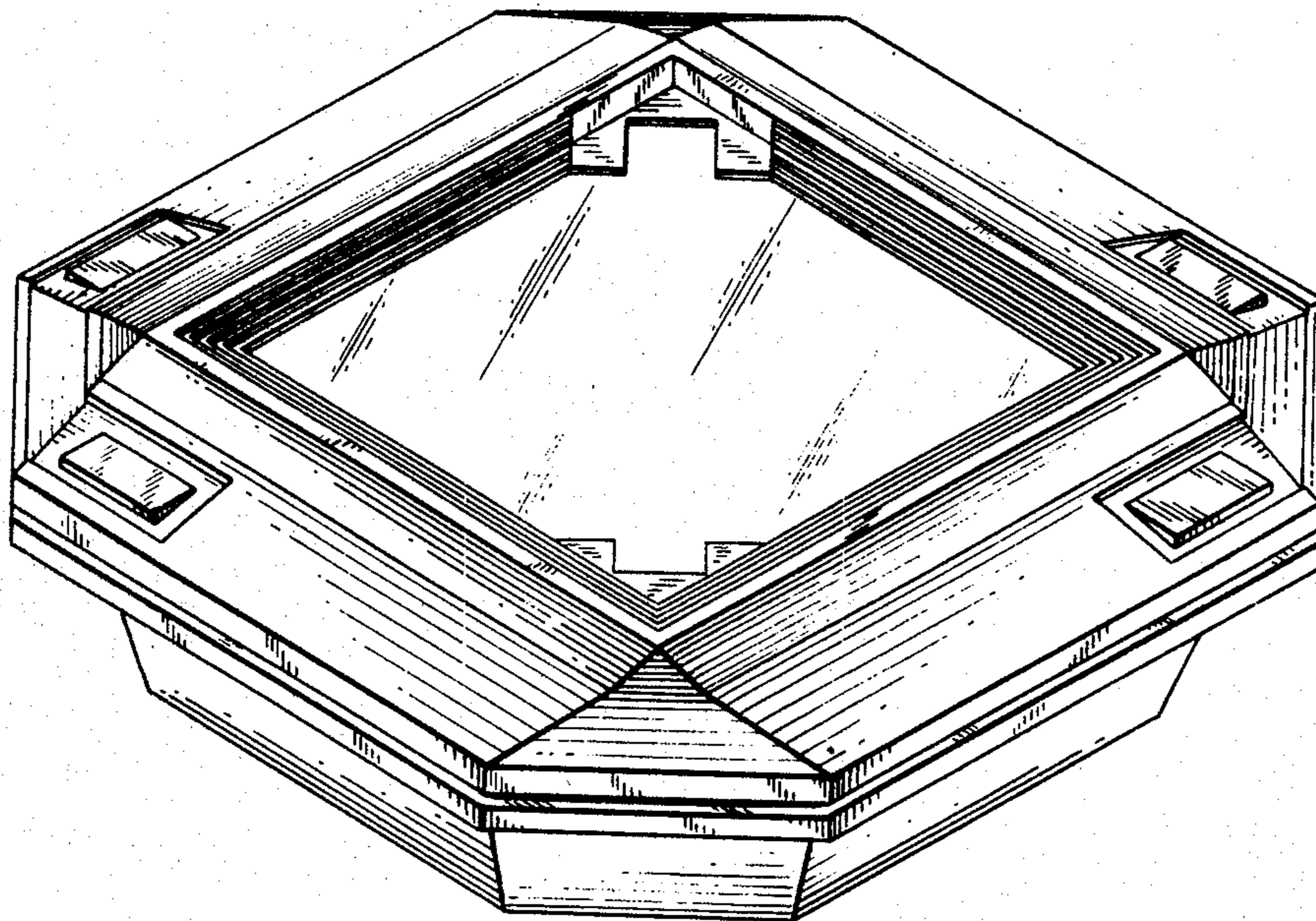


FIG. 1

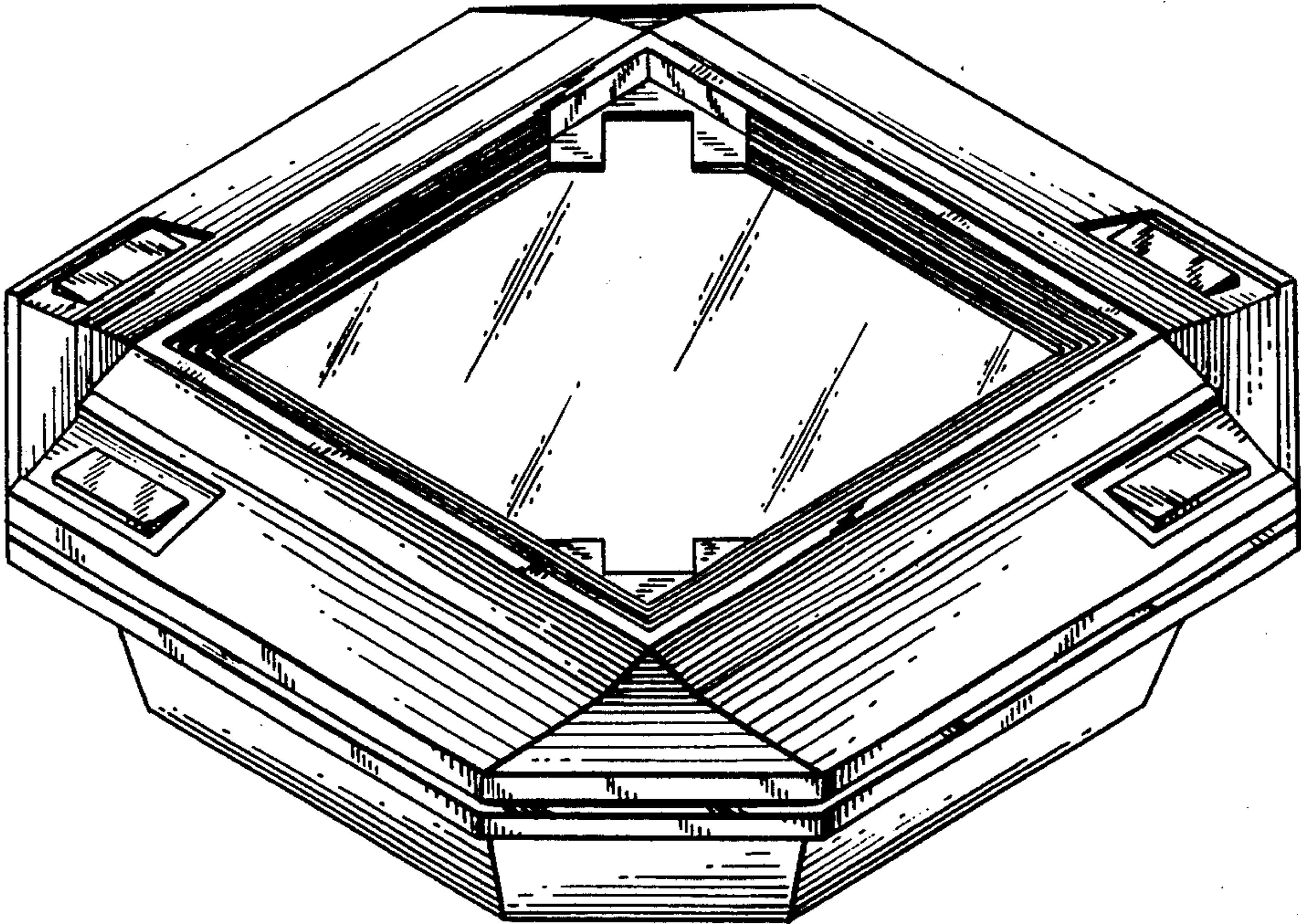


FIG. 2

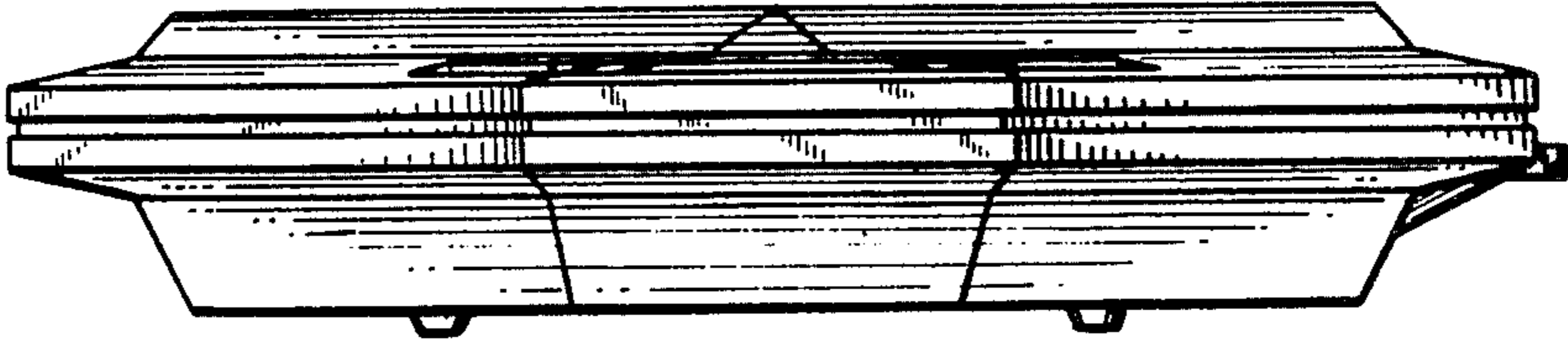


FIG. 3

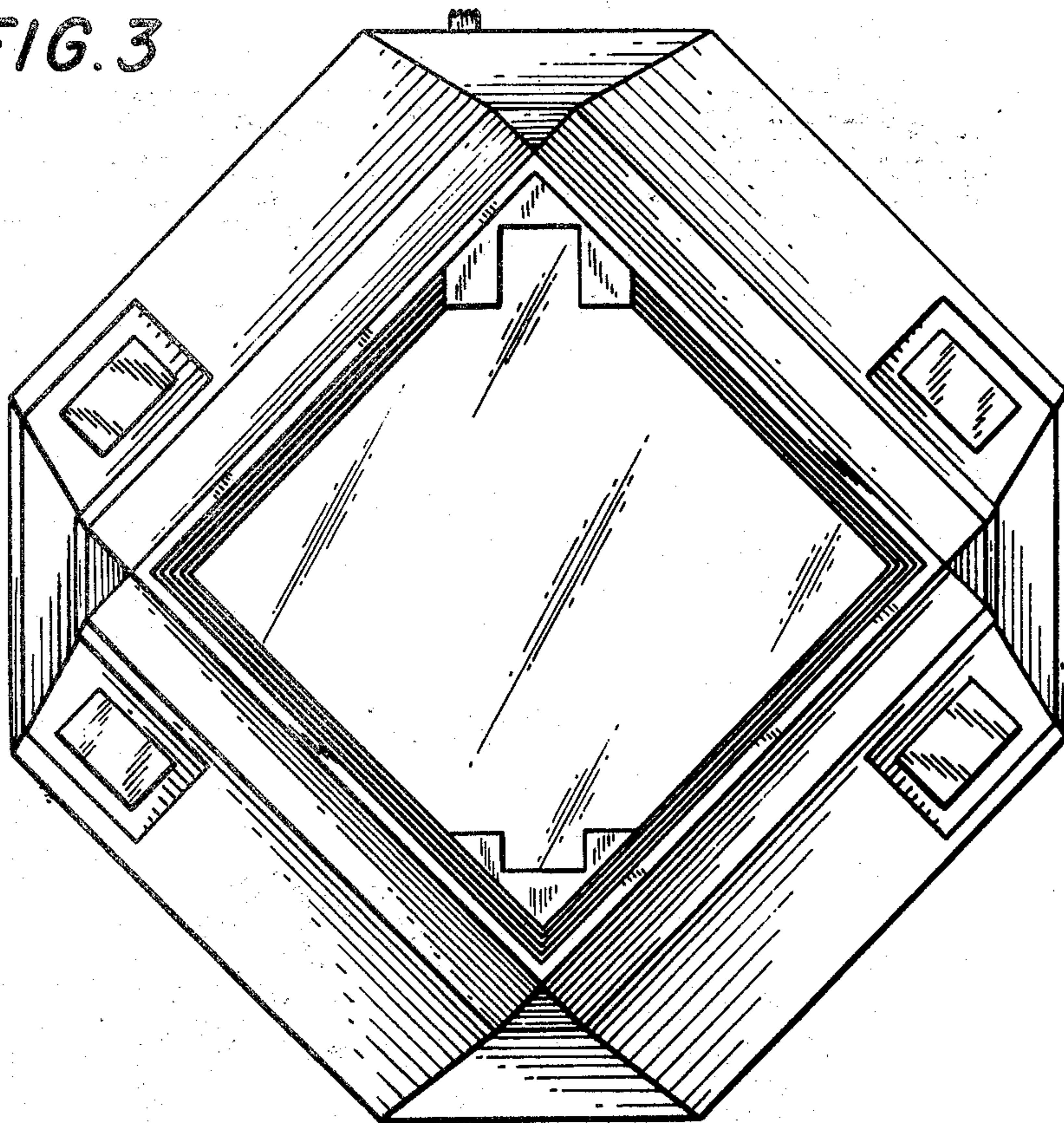


FIG. 4

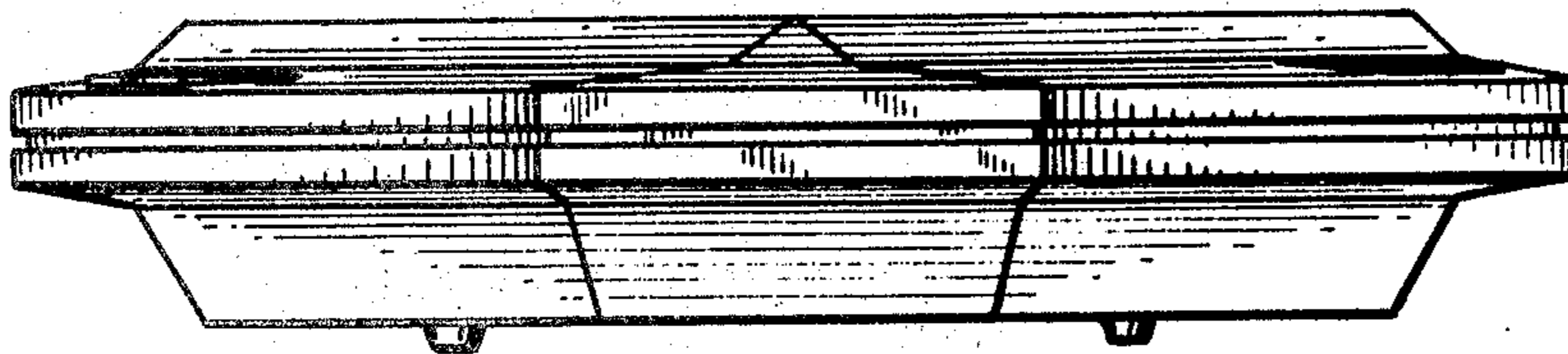


FIG. 5

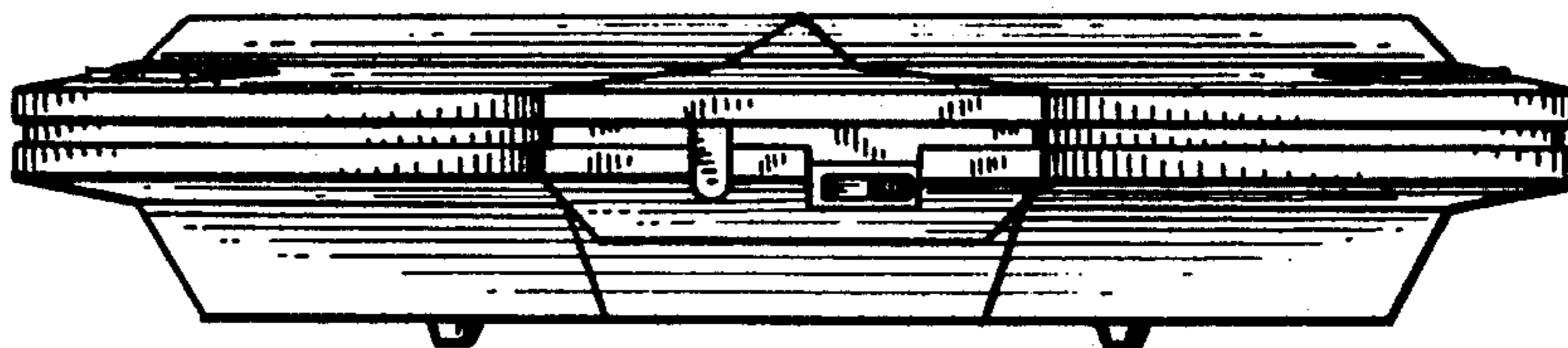


FIG. 6

