

[54] DESIGN FOR CARTRIDGE-BASED ELECTRONIC GAME HOUSING

[76] Inventor: James C. Wickstead, Pitney Rd. and W. Main St., Mendham, N.J. 07945

[**] Term: 14 Years

[21] Appl. No.: 383,381

[22] Filed: May 28, 1982

[52] U.S. Cl. D21/13

[58] Field of Search D21/13, 1; 273/1 E, 273/1 GC, 1 ES, DIG. 28, 237, 85 G

[56] References Cited

U.S. PATENT DOCUMENTS

D. 265,571 7/1982 Nagel D21/13

OTHER PUBLICATIONS

Playthings, Feb. 1980, p. 110, lower left, Megamax Game Board.

Primary Examiner—Melvin B. Feifer
Attorney, Agent, or Firm—Blum, Kaplan, Friedman, Silberman & Beran

[57] CLAIM

The ornamental design for a cartridge-based electronic game housing, as shown and described.

DESCRIPTION

FIG. 1 is a top left perspective view of a cartridge-based electronic game housing showing my new design; FIG. 2 is a left side elevational view of the electronic game of FIG. 1, the right side elevational view being identical; FIG. 3 is a top plan view of the electronic game of FIG. 1; FIG. 4 is a front elevational view of the electronic game of FIG. 1; FIG. 5 is a rear elevational view of the electronic game of FIG. 1; and FIG. 6 is a bottom plan view of the electronic game of FIG. 1.

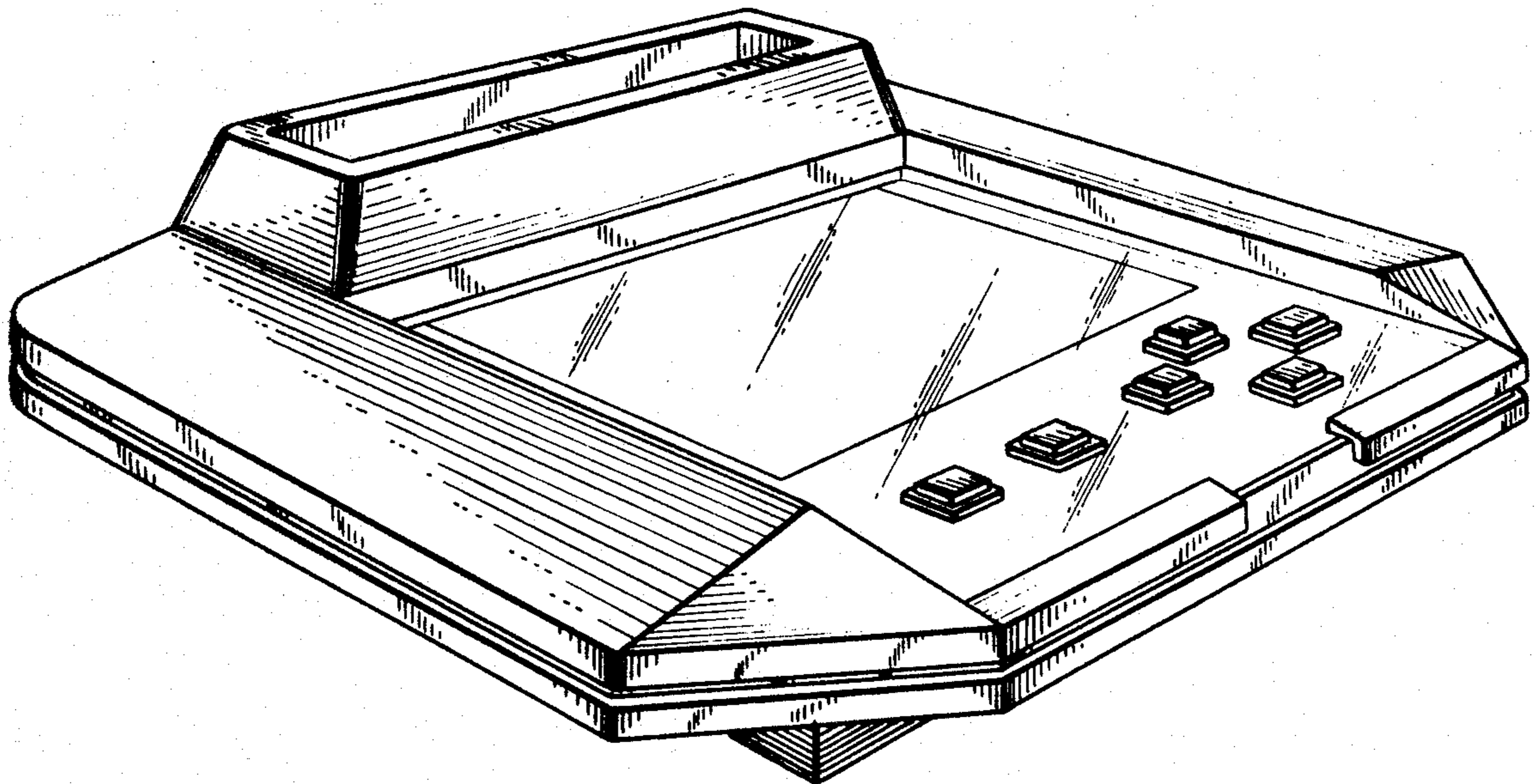


FIG. 1

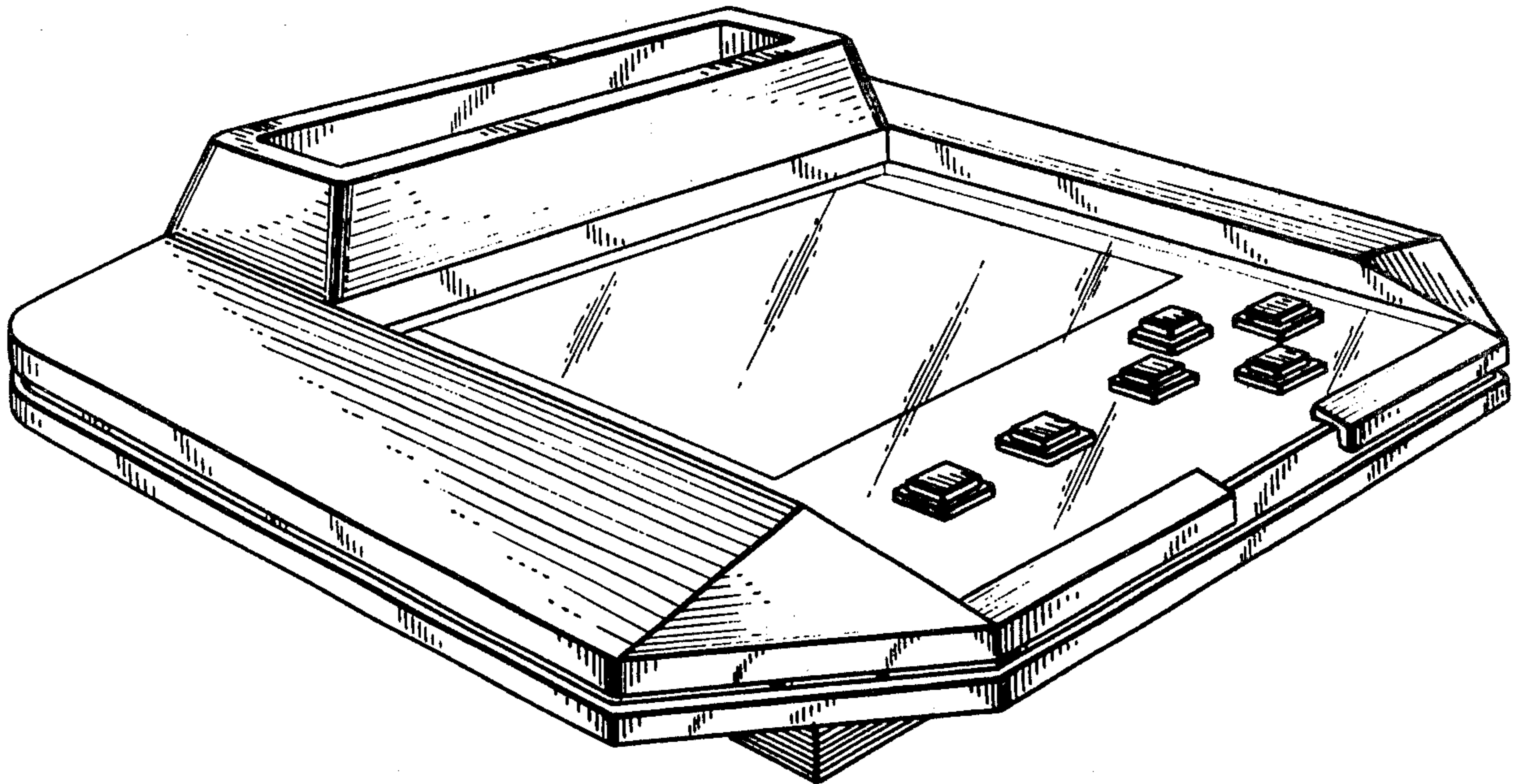


FIG. 2

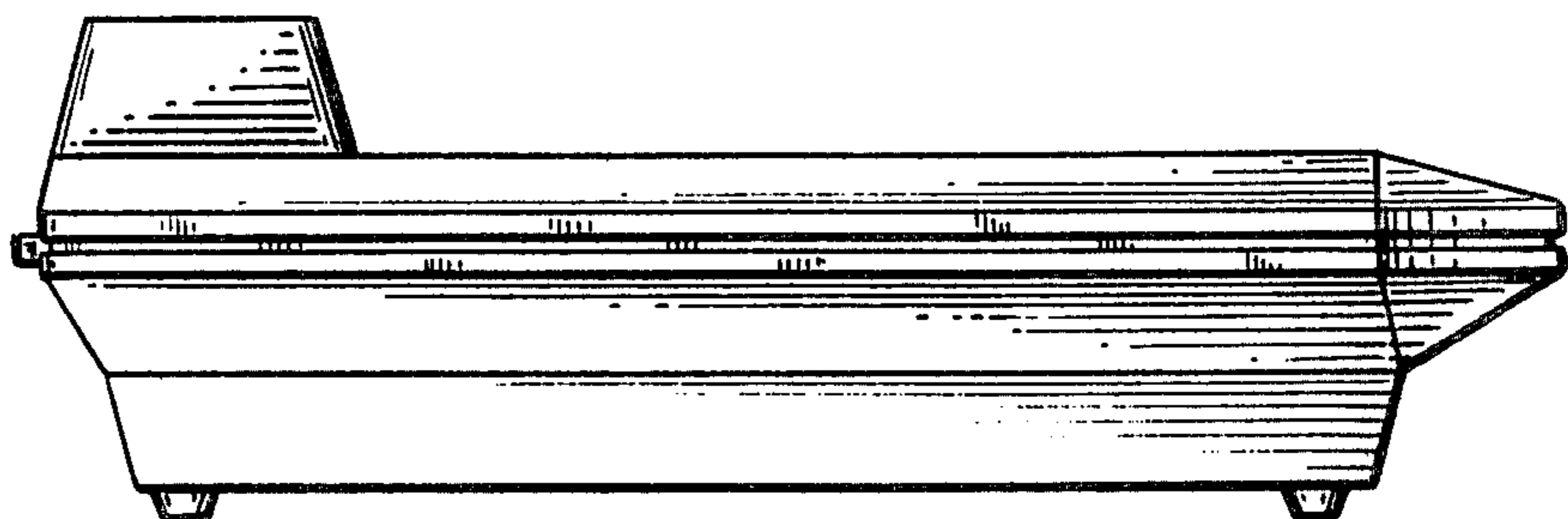


FIG. 3

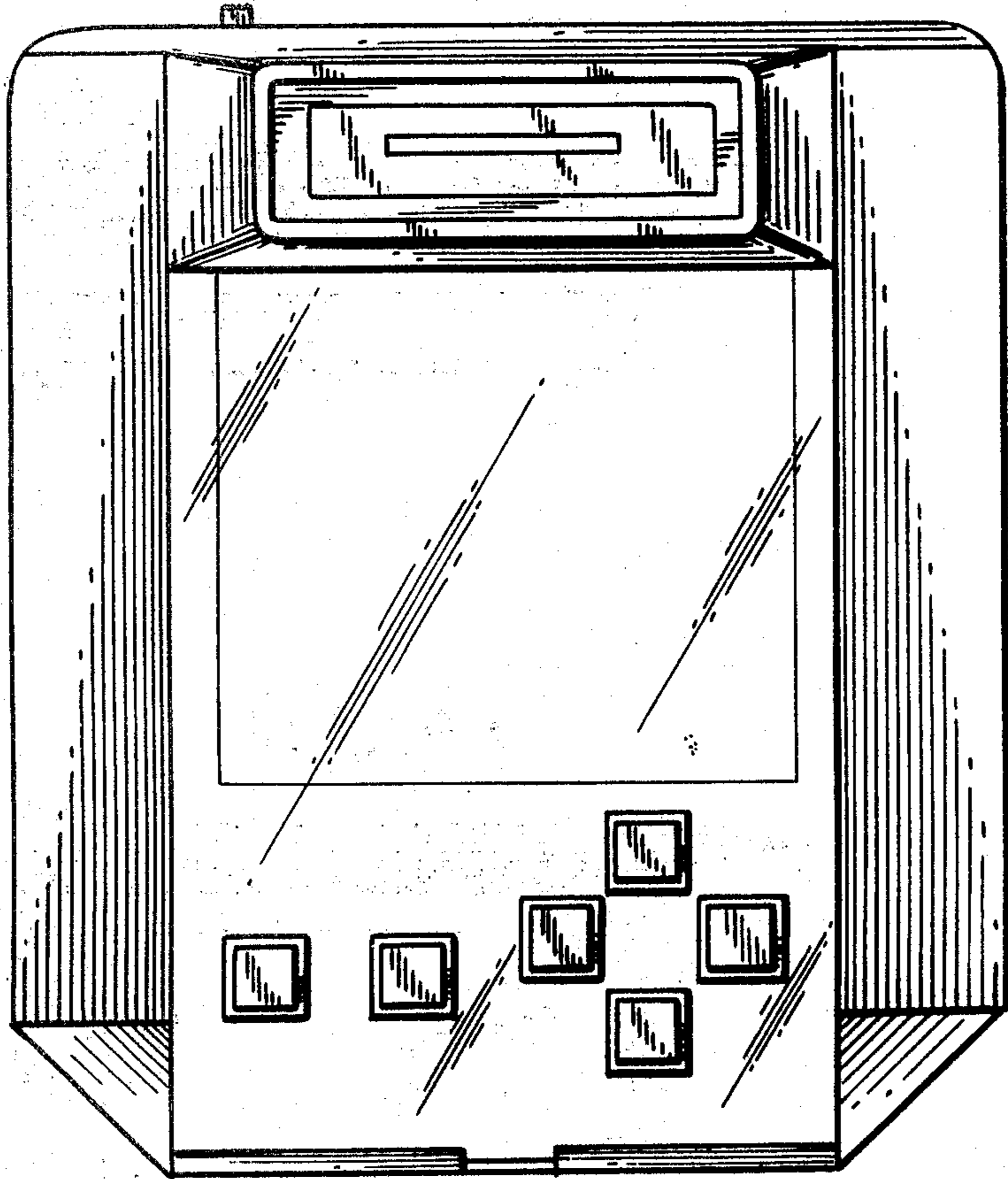


FIG. 4

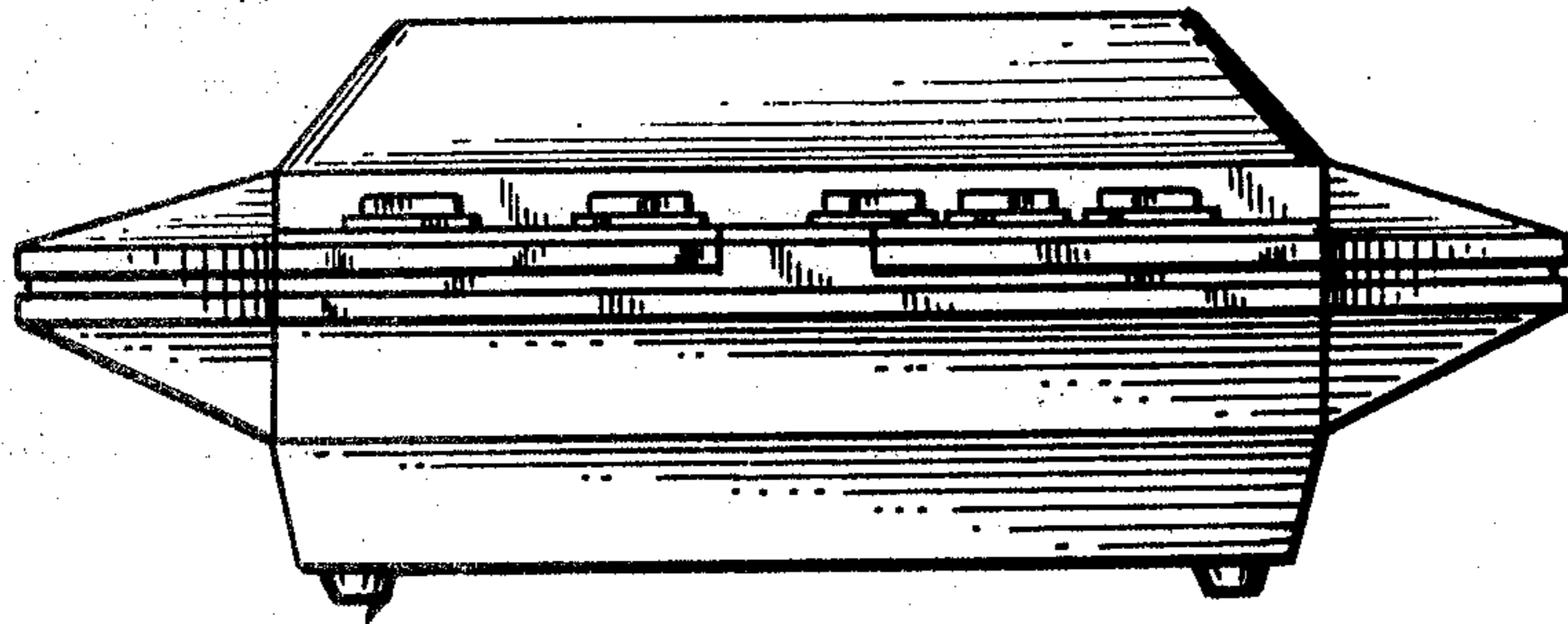


FIG. 5

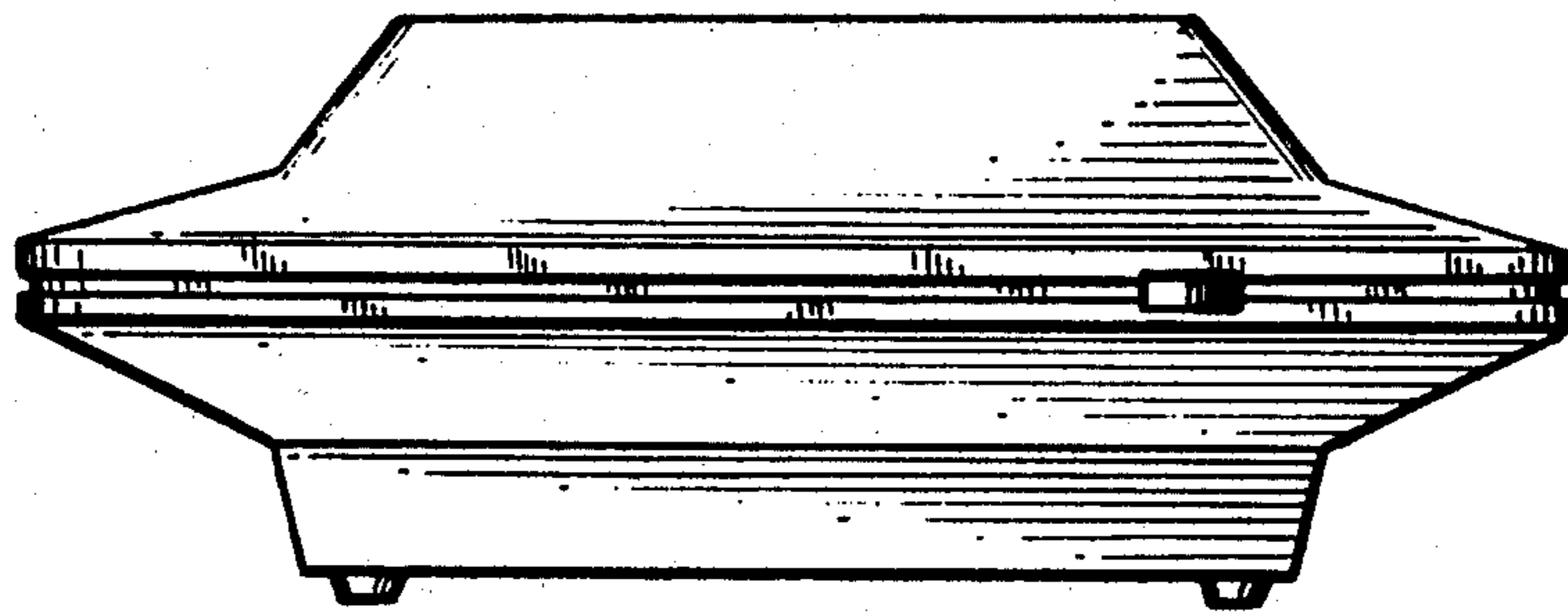


FIG. 6

