

[54] THESIS PAPER TEMPLET

[76] Inventor: Lynn A. Ness, 20685 SW. 90th, Tualatin, Oreg. 97062

[**] Term: 14 Years

[21] Appl. No.: 312,951

[22] Filed: Oct. 20, 1981

[52] U.S. Cl. D19/37; D10/64

[58] Field of Search D19/35-40; D10/64; 33/1 G, 1 B, 174 R, 174 B, 174 G, 189

[56] References Cited

U.S. PATENT DOCUMENTS

D. 210,688	4/1968	Schoesler	D19/37
1,587,133	6/1926	Anhuf	33/1 B
2,375,427	5/1945	Manning	33/1 B
3,789,507	2/1974	Murray, Jr.	33/1 B
4,171,573	10/1979	Picciotto	33/1 B

Primary Examiner—George P. Word

[57] CLAIM

The ornamental design for a thesis paper templet, as shown and described.

DESCRIPTION

FIG. 1 is a top perspective view of a thesis paper templet showing my new design; FIG. 2 is a bottom perspective view thereof; and FIG. 3 is an enlarged scale top plan view thereof.

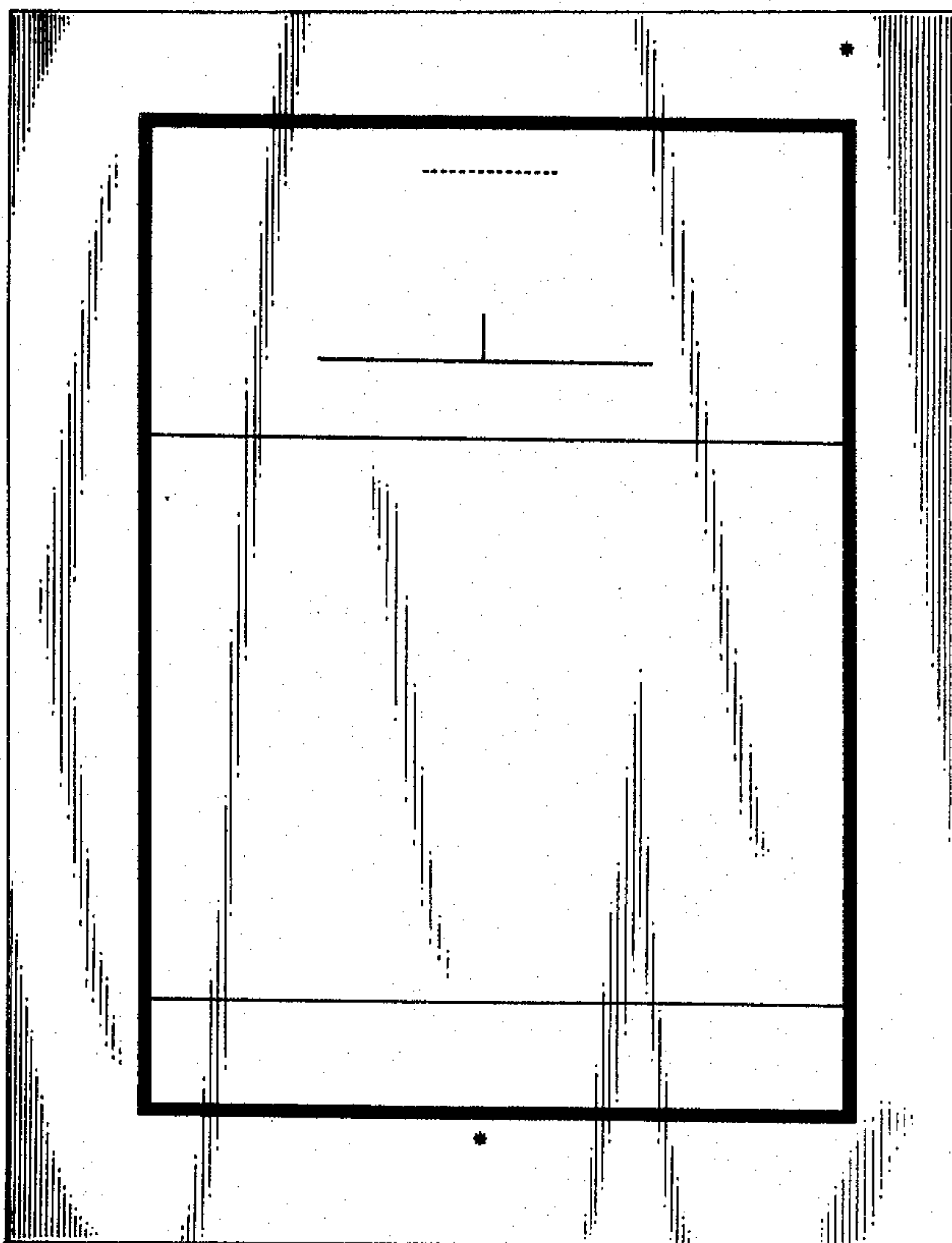


FIG. 1

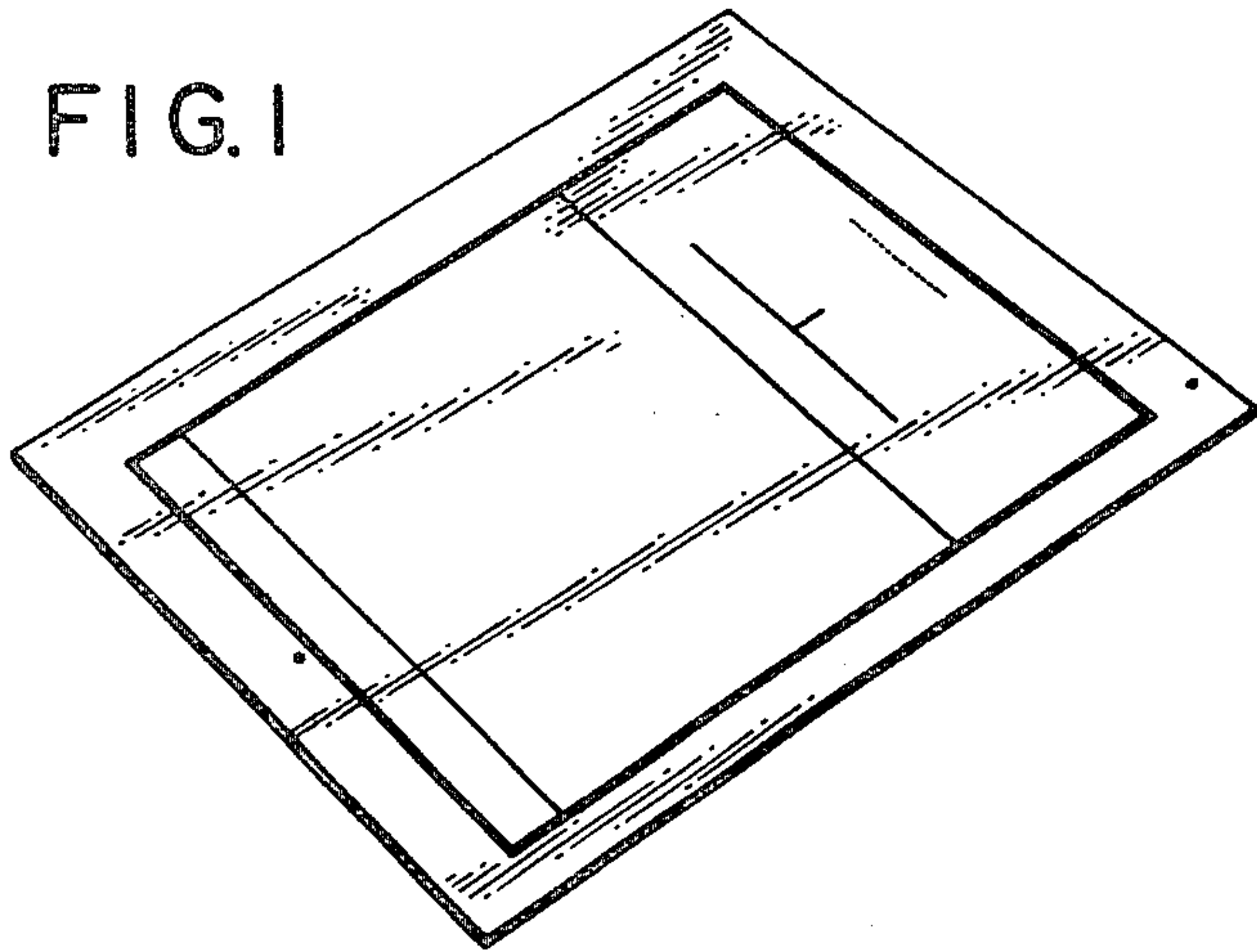


FIG. 2

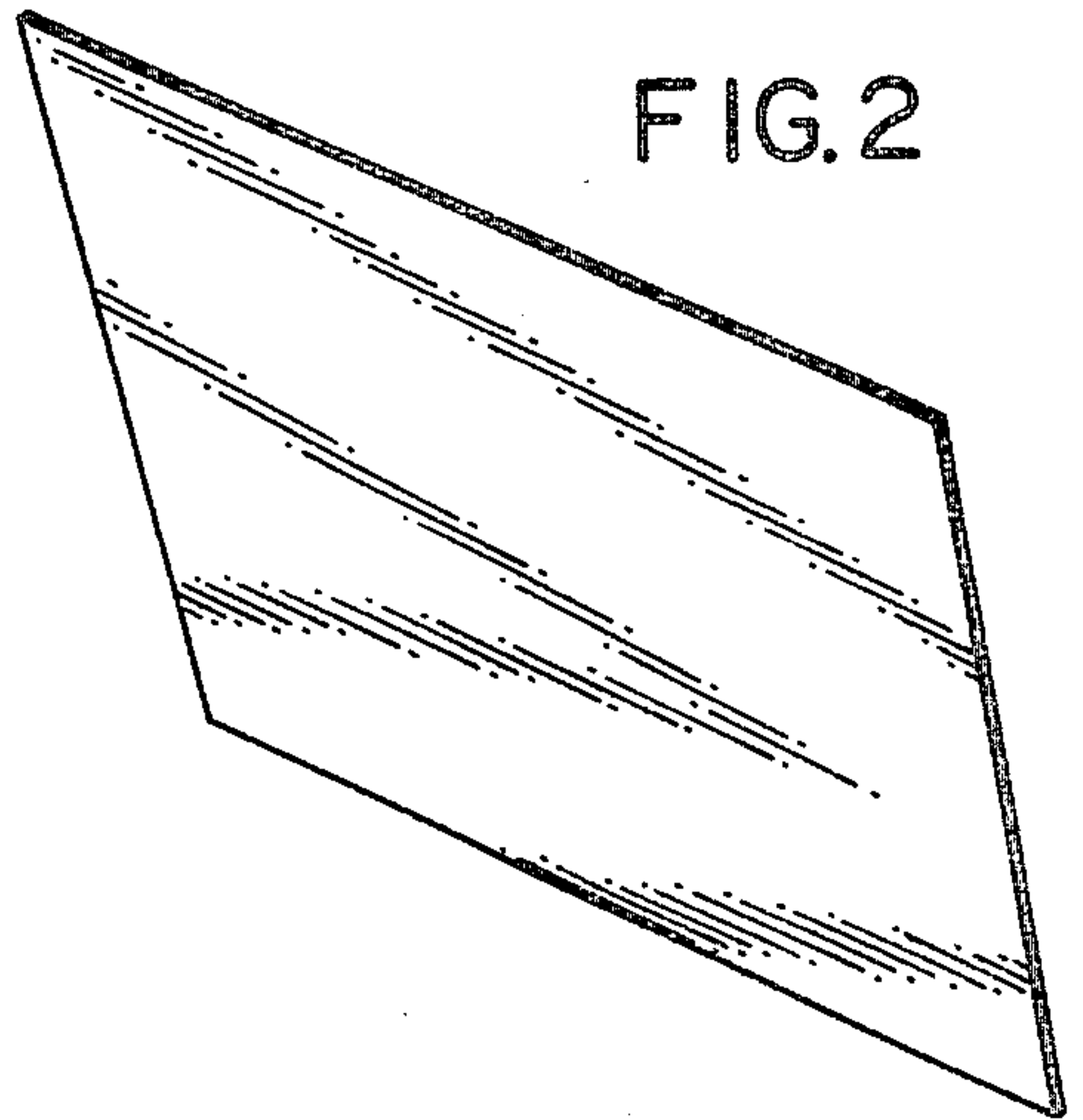


FIG. 3

