

- [54] BINOCULAR ADJUSTMENT KNOB
- [75] Inventor: Karl T. Baughman, Lake Forest, Ill.
- [73] Assignee: Sears, Roebuck and Co., Chicago, Ill.
- [\*\*] Term: 14 Years
- [21] Appl. No.: 537,963
- [22] Filed: Sep. 30, 1983
- [52] U.S. Cl. .... D16/133
- [58] Field of Search ..... D16/133; 350/552

[56] References Cited

U.S. PATENT DOCUMENTS

- D. 14,423 11/1883 Bradley .
- D. 65,567 9/1924 Hahn .
- D. 83,585 3/1931 Trautmann .
- D. 98,185 1/1936 Reynolds .
- D. 98,790 3/1936 Wollensak et al. .
- D. 106,310 10/1937 Ludovici .
- D. 117,169 10/1939 Dobrusin .
- D. 123,679 11/1940 Mowrey .
- D. 126,480 4/1941 MacCowan .
- D. 140,437 2/1945 Bugel ..... D57/1
- D. 146,487 3/1947 Shields ..... D57/1
- D. 156,733 1/1950 Hofer et al. .... D57/1
- D. 170,981 12/1953 Kane ..... D57/1
- D. 179,084 10/1956 Jensen ..... D57/1
- D. 182,304 3/1958 Rosiello et al. .... D57/1
- D. 184,881 4/1959 Maguire ..... D57/1
- D. 195,146 4/1963 Jensen ..... D57/1
- D. 208,587 9/1967 Herold ..... D57/1
- D. 222,563 11/1971 Maguire ..... D57/1
- D. 224,568 8/1972 Baughman ..... D57/1
- D. 240,268 6/1976 Huckenbeck ..... D16/133
- D. 240,458 7/1976 Takahashi et al. .... D16/63
- D. 240,860 8/1976 Huckenbeck ..... D16/59
- D. 241,165 8/1976 Huckenbeck ..... D16/59
- D. 241,166 8/1976 Huckenbeck ..... D16/133
- D. 241,271 8/1976 Huckenbeck ..... D57/1 E
- D. 241,371 9/1976 Huckenbeck ..... D16/83
- D. 241,680 9/1976 Huckenbeck ..... D16/59
- D. 241,978 10/1976 Huckenbeck ..... D16/59
- D. 245,081 7/1977 Gerdom ..... D16/133
- D. 251,197 2/1979 Kobayashi ..... D16/59
- D. 255,364 6/1980 Lange ..... D16/133
- D. 255,691 7/1980 Huckenbeck ..... D16/59
- 264,130 9/1882 Blank .
- D. 265,207 6/1982 Rosenfield et al. .... D16/133

- 351,317 10/1886 Fradley .
- 398,277 2/1889 Plessy .
- 399,542 3/1889 Mack .
- 468,337 2/1892 Glocker .
- 498,019 5/1893 Murray .
- 567,215 9/1896 Blank .
- 615,229 11/1898 Barton .
- 647,136 4/1900 Glocker .
- 666,611 1/1901 Aitschison et al. .
- 674,465 5/1901 Hensoldt .
- 687,373 11/1901 Goerz .
- 841,262 1/1907 Martin .
- 849,237 4/1907 Heath .
- 937,834 10/1909 Martin et al. .
- 1,016,315 2/1912 Barton .
- 1,092,224 4/1914 Nesdall .
- 1,127,720 2/1915 Baille-lemaire .
- 1,358,721 11/1920 Fujii .
- 1,412,442 4/1922 Ahmels .
- 1,479,409 1/1924 Edstrom .
- 1,512,705 10/1924 Margaretten et al. .
- 1,952,224 3/1934 Trautmann et al. .... 88/34
- 1,967,738 7/1934 Boydston ..... 88/34
- 2,079,890 5/1937 Wollensak et al. .... 88/33
- 2,602,371 7/1952 Harford ..... 88/34
- 2,882,791 4/1959 Moller et al. .... 88/34
- 3,076,381 2/1963 Dowling et al. .... 88/34
- 3,484,149 12/1969 Becker et al. .... 350/76
- 3,528,724 9/1970 Bertin ..... 350/159
- 3,540,792 11/1970 Akin, Jr. .... 350/77
- 3,744,872 7/1973 Akin, Jr. et al. .... 350/36
- 3,829,194 8/1974 Van Exel et al. .... 350/76
- 4,030,808 6/1977 Hornschu et al. .... 350/36
- 4,066,329 1/1978 Van Exel ..... 350/552
- 4,080,043 3/1978 Altenheiner et al. .... 350/76
- 4,087,153 5/1978 Hengst ..... 350/76
- 4,126,374 11/1978 Maguire ..... 350/47
- 4,171,865 10/1974 Kamakura ..... 350/552
- 4,186,992 2/1980 Kamakura ..... 350/36
- 4,202,598 5/1980 Jenkins ..... 350/36
- 4,205,894 6/1980 Filipovich et al. .... 350/35
- 4,240,690 12/1980 Kimura ..... 350/36
- 4,262,990 4/1981 Kamakura ..... 350/44
- 4,280,750 7/1981 Uchiyama ..... 350/76
- 4,281,890 8/1981 Van Exel ..... 350/77
- 4,306,764 12/1981 Kikuchi ..... 350/76

FOREIGN PATENT DOCUMENTS

- 143866 8/1903 Fed. Rep. of Germany .

1203976 5/1963 Fed. Rep. of Germany .  
5287 of 1890 United Kingdom ..... 88/34

[57]

**CLAIM**

The ornamental design for a binocular adjustment knob,  
as shown and described.

**DESCRIPTION**

FIG. 1 is a top plan view of a binocular adjustment knob  
showing my new design;

FIG. 2 is a rear elevational view thereof;

FIG. 3 is a front elevational view thereof;

FIG. 4 is a side elevational view thereof;

FIG. 5 is a bottom plan view thereof; and

FIG. 6 is a perspective view thereof with the binocular  
shown in broken lines for illustrative purposes only.

*Primary Examiner*—Wallace R. Burke  
*Assistant Examiner*—Horace B. Fay  
*Attorney, Agent, or Firm*—Arnstein, Gluck, Lehr,  
Barron & Milligan

FIG 2

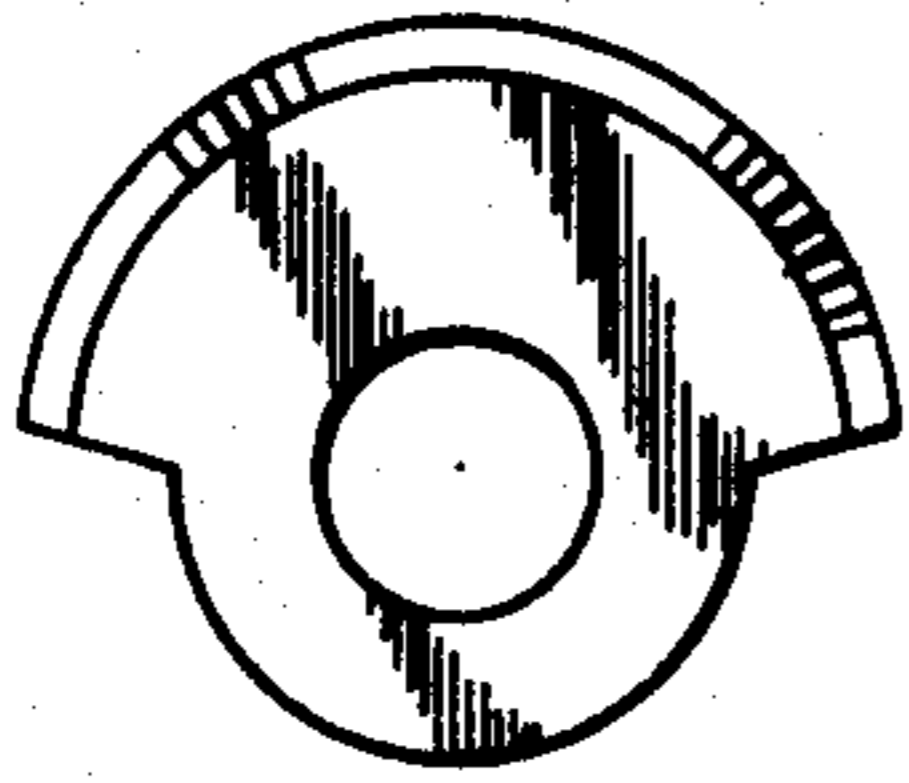


FIG 1

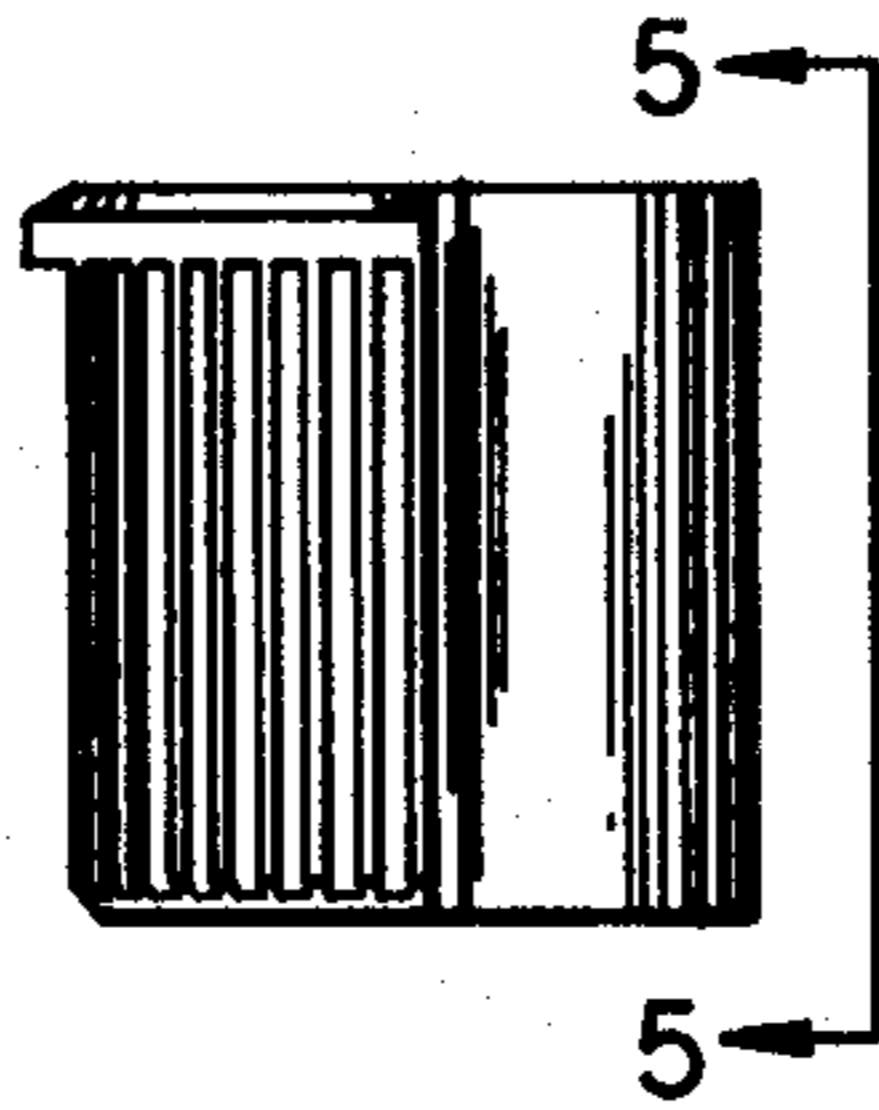
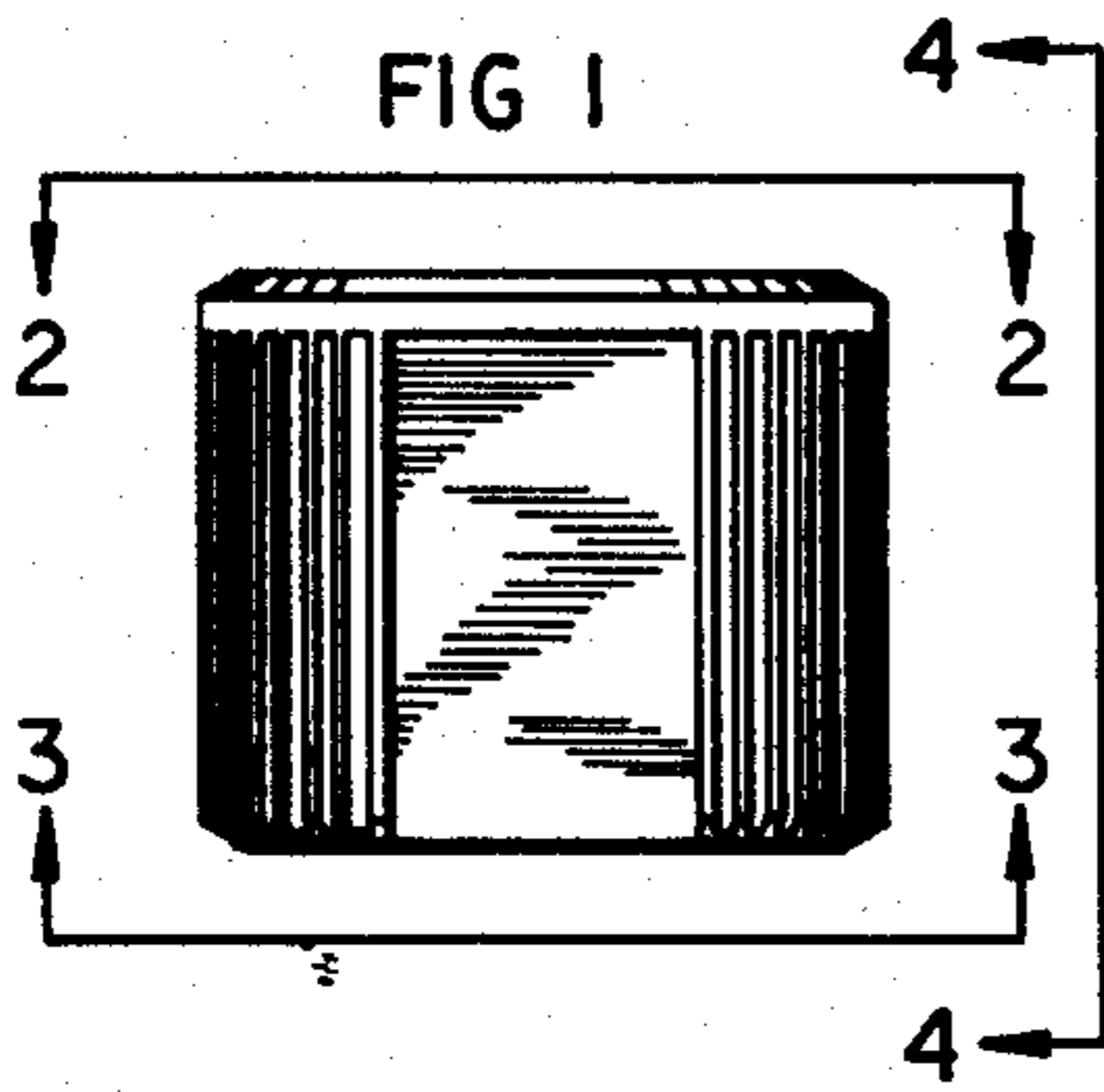


FIG 4

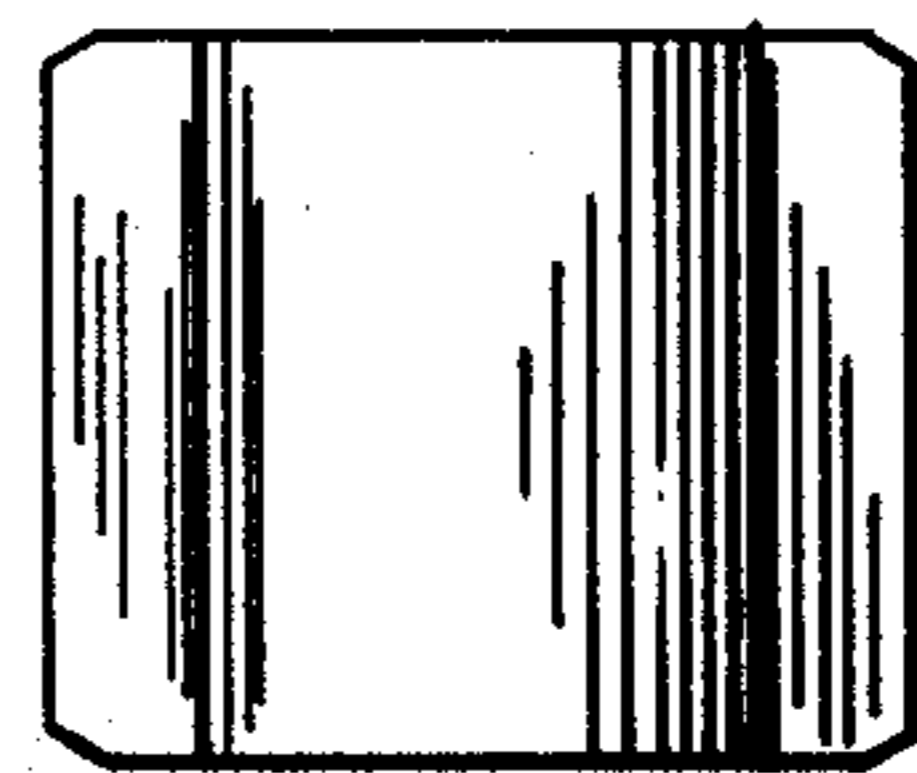


FIG 5

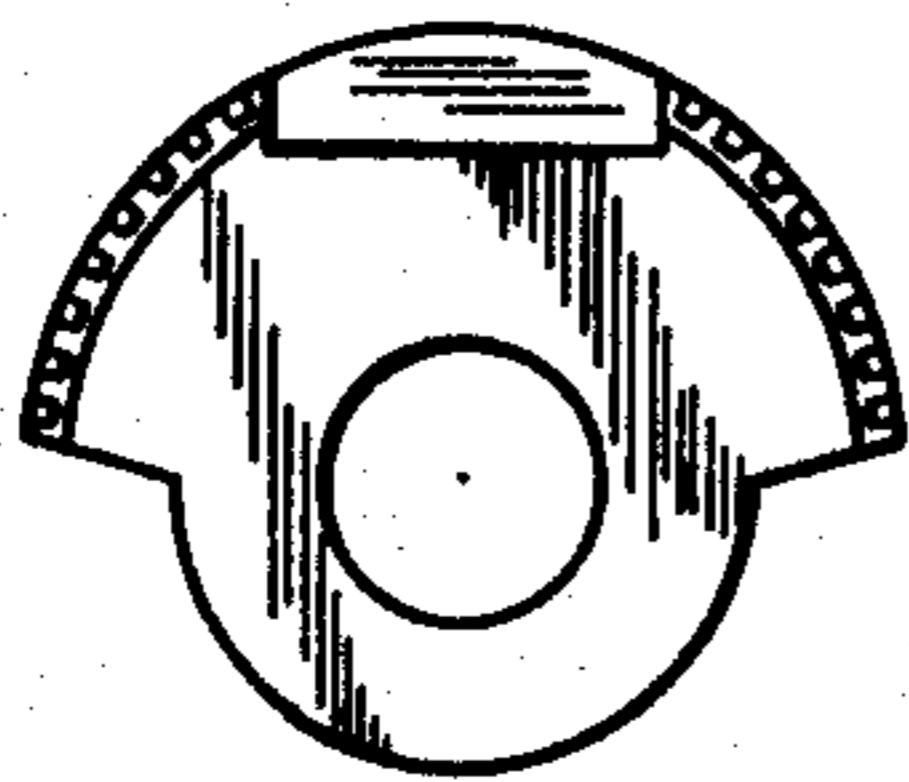


FIG 3

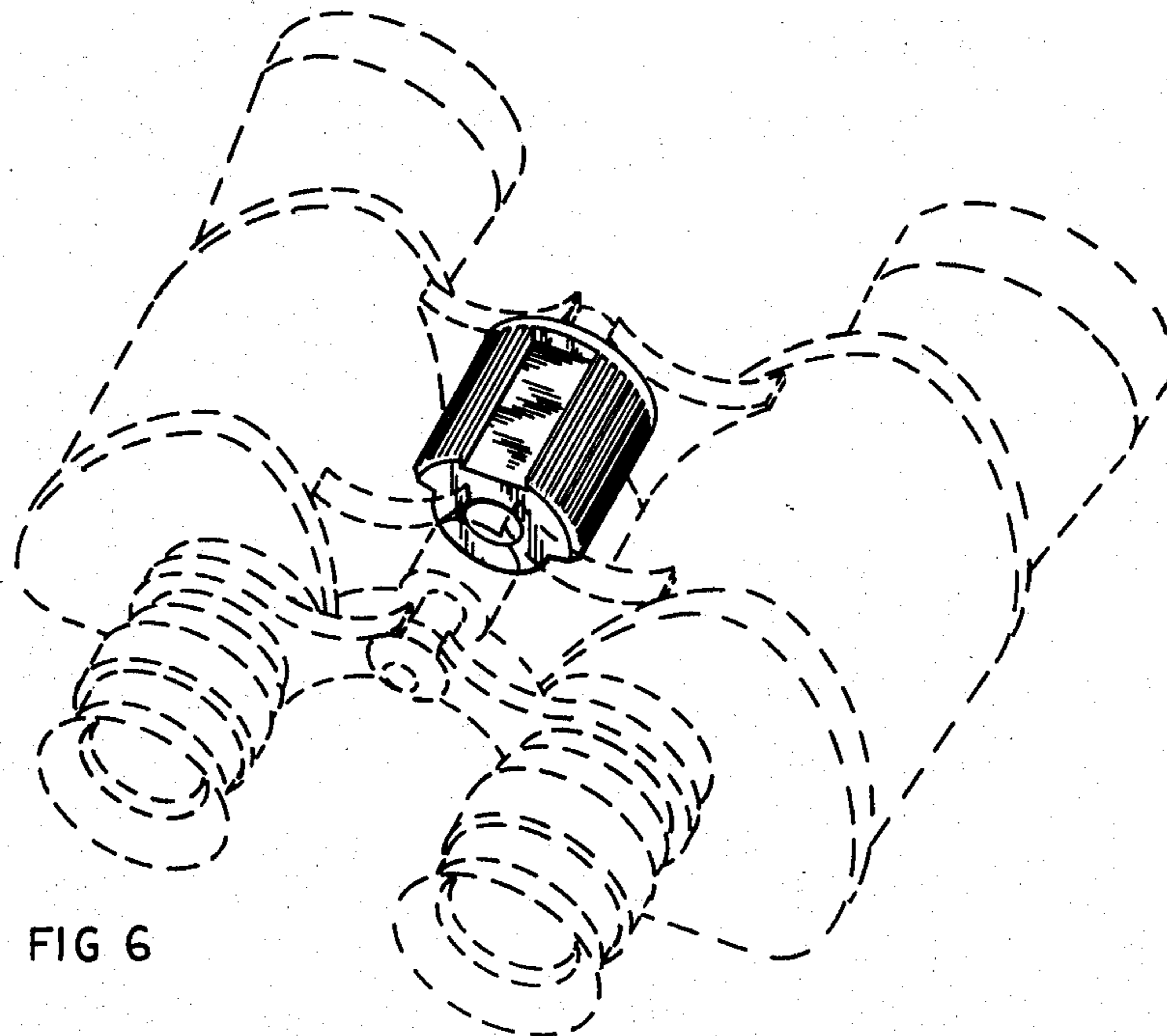


FIG 6