

[54] MOTOR HOUSING

[75] Inventor: Arthur S. Hart, Westminster, Calif.

[73] Assignee: John D. McCarry, El Toro, Calif.

[**] Term: 14 Years

[21] Appl. No.: 332,806

[22] Filed: Dec. 21, 1981

[52] U.S. Cl. D15/5; D8/373

[58] Field of Search 248/674, 677, 74 R;
D8/354, 396, 380, 373; 417/269

[56] References Cited

U.S. PATENT DOCUMENTS

- D. 222,578 11/1971 Walker et al. D8/396 X
- 3,339,868 9/1967 Ehreni et al. 248/674
- 4,153,391 5/1979 Hartley 417/269

OTHER PUBLICATIONS

Sweet's Architectural Catalog File 1981, Section

5.13a/law, p. 13, ©1979, 698 TensabARRIER Wall Receptacle.

Primary Examiner—A. Hugo Word
Attorney, Agent, or Firm—Gordon L. Peterson

[57] CLAIM

The ornamental design for a motor housing, substantially as shown and described.

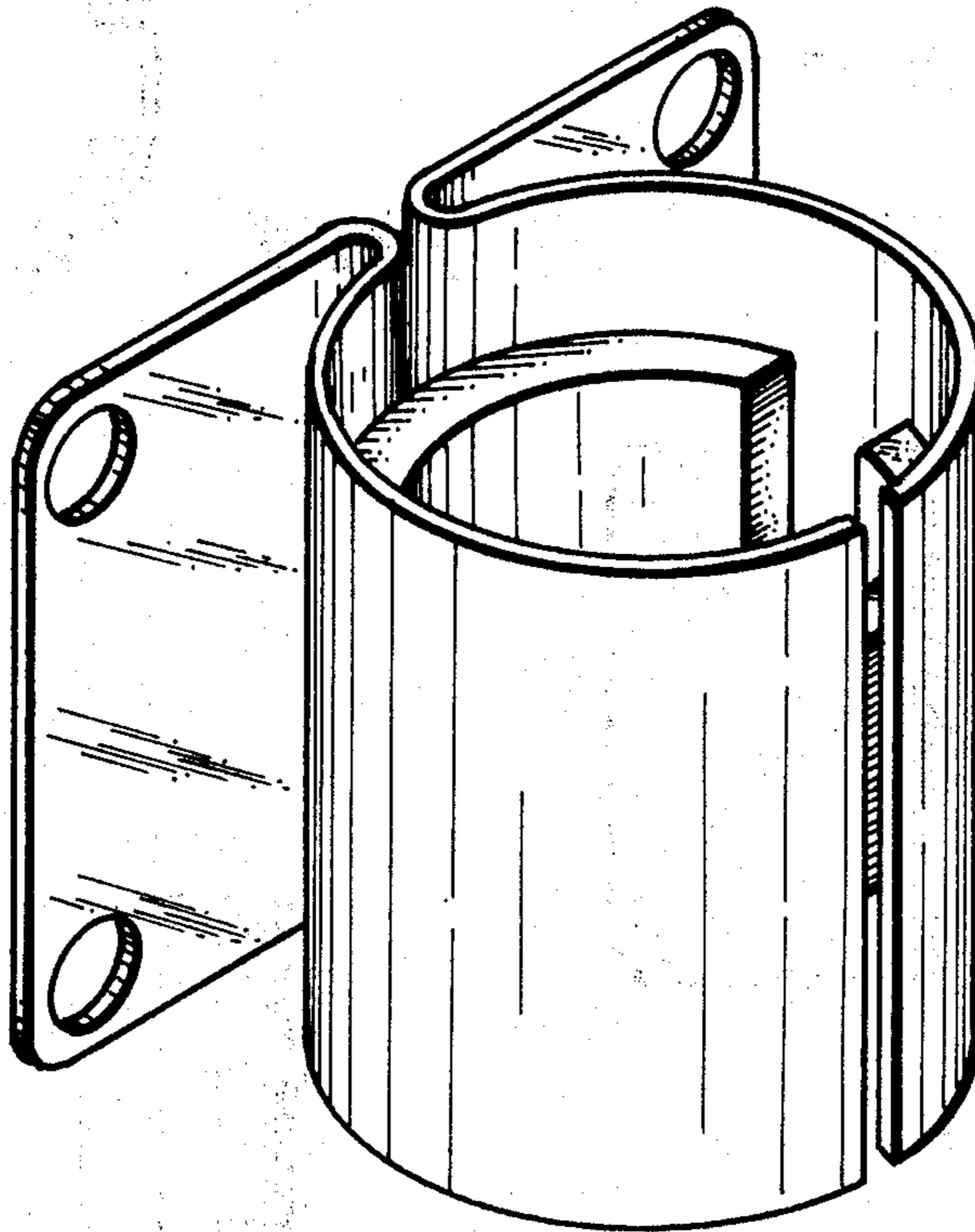
DESCRIPTION

FIG. 1 is a perspective view of a motor housing embodying the new design.

FIG. 2 is a view of the motor housing taken from the bottom of FIG. 1.

FIG. 3 is an elevational view of the motor housing taken from the back of FIG. 1.

FIG. 4 is a side elevational view of the motor housing taken from the right of FIG. 1.



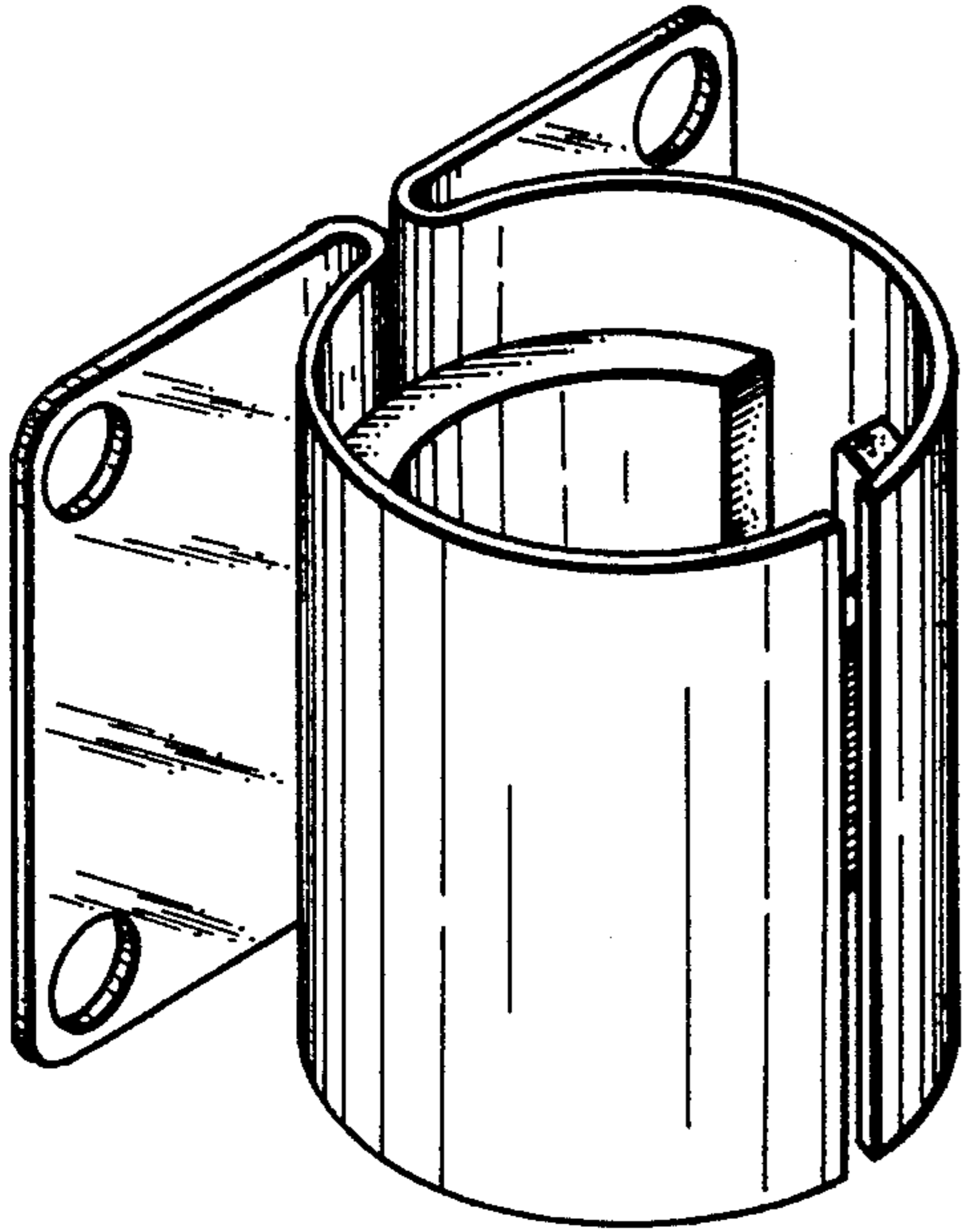


Fig. 1

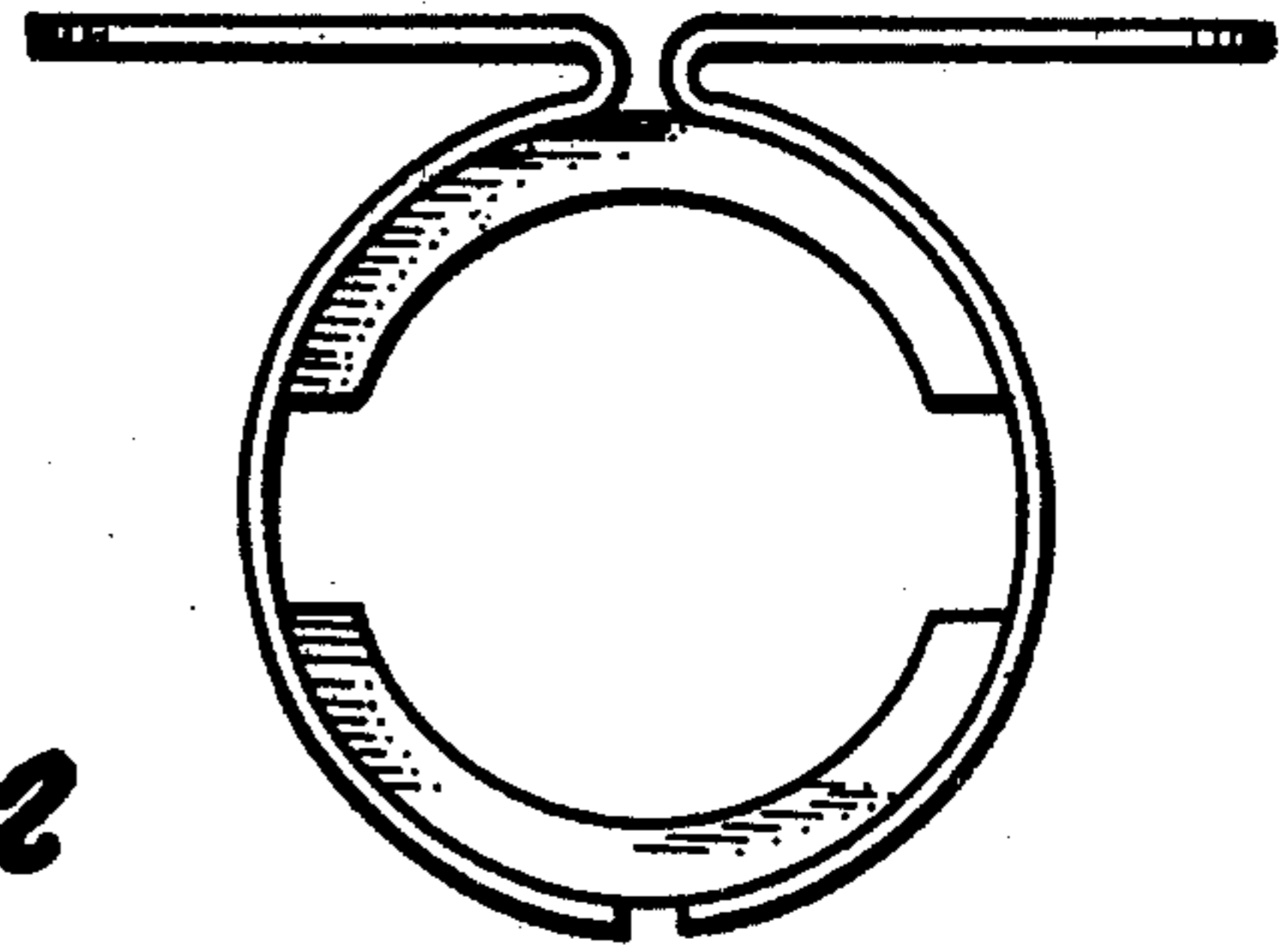


Fig. 2

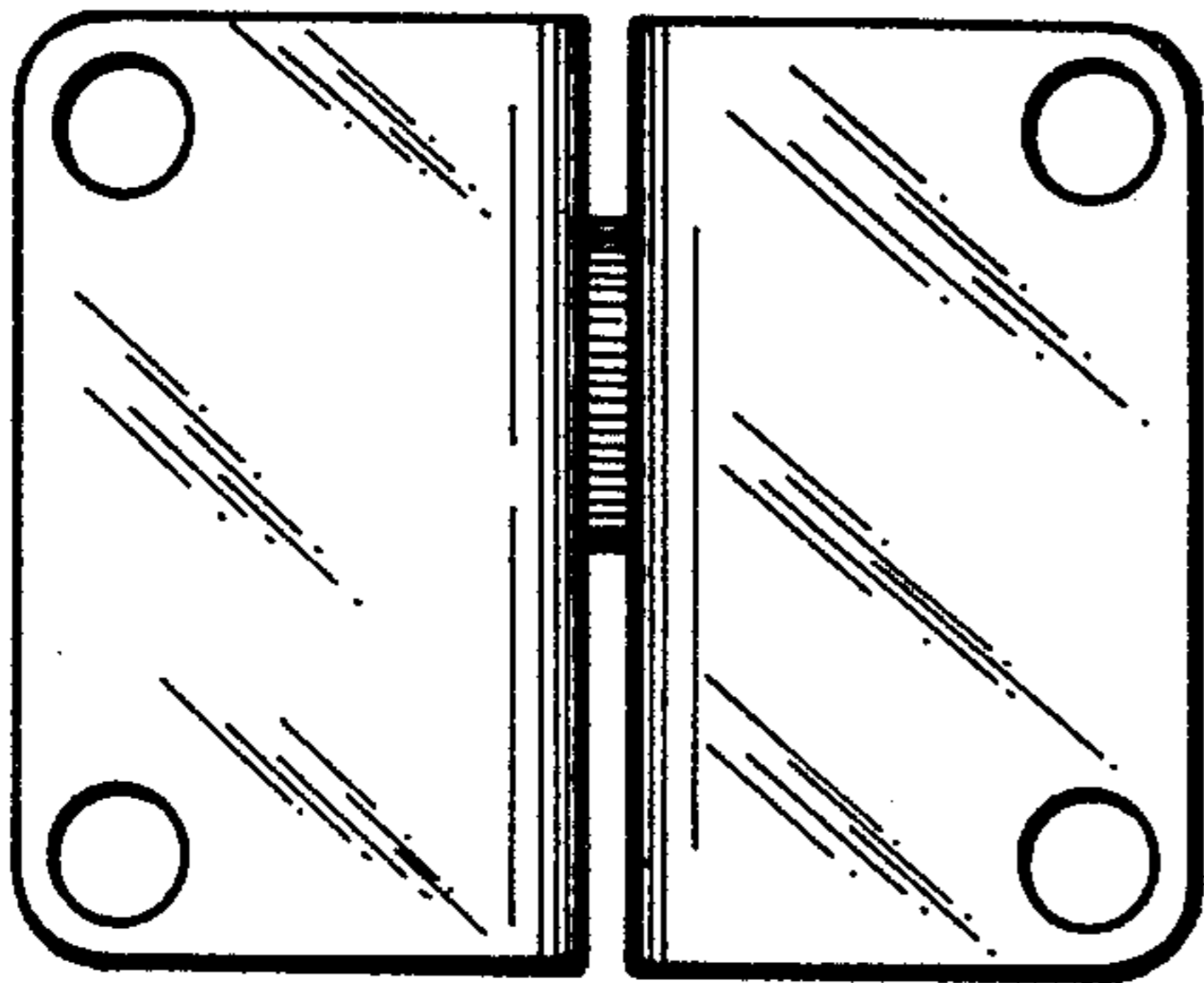


Fig. 3

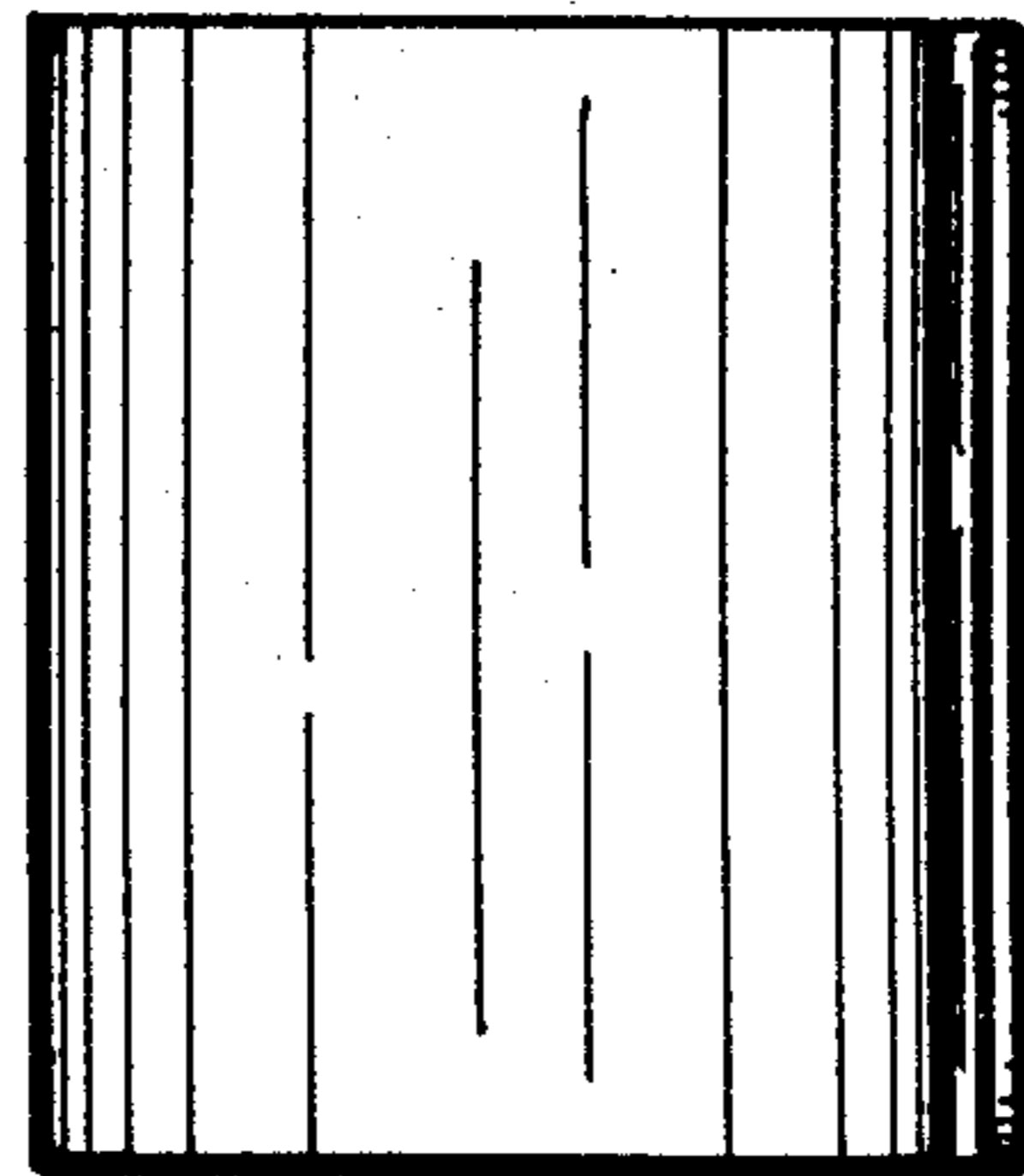


Fig. 4