

[54] PORTABLE COMPUTER TERMINAL

[75] Inventor: Robert N. MacConnell, Dayton, Ohio

[73] Assignee: The Mead Corporation, Dayton, Ohio

[\*\*] Term: 14 Years

[21] Appl. No.: 356,675

[22] Filed: Mar. 10, 1982

[52] U.S. Cl. .... D14/106

[58] Field of Search ..... D14/100, 117; 340/365 R, 700, 711, 720; 364/708, 709

[56] References Cited

U.S. PATENT DOCUMENTS

- D. 222,883 1/1972 Levow et al. .... D14/101
- D. 247,563 3/1978 Jinbo et al. .... D14/106
- D. 253,110 10/1979 Randolph ..... D14/105
- D. 254,005 1/1980 Reid et al. .... D14/106

D. 255,235 6/1980 Kepford ..... D14/101

Primary Examiner—Susan J. Lucas  
Attorney, Agent, or Firm—Biebel, French & Nauman

[57] CLAIM

The ornamental design for portable computer terminal, as shown and described.

DESCRIPTION

FIG. 1 is a perspective view of the portable computer terminal showing my new design, the display portion being in the upright viewing position;

FIG. 2 is a side view thereof on an enlarged scale;

FIG. 3 is an opposite side view thereof on an enlarged scale;

FIG. 4 is a front view thereof on an enlarged scale;

FIG. 5 is a rear view thereof on an enlarged scale;

FIG. 6 is a top view thereof on an enlarged scale;

FIG. 7 is a perspective view of the portable computer terminal, the display portion being in the closed position;

FIG. 8 is a perspective view thereof.

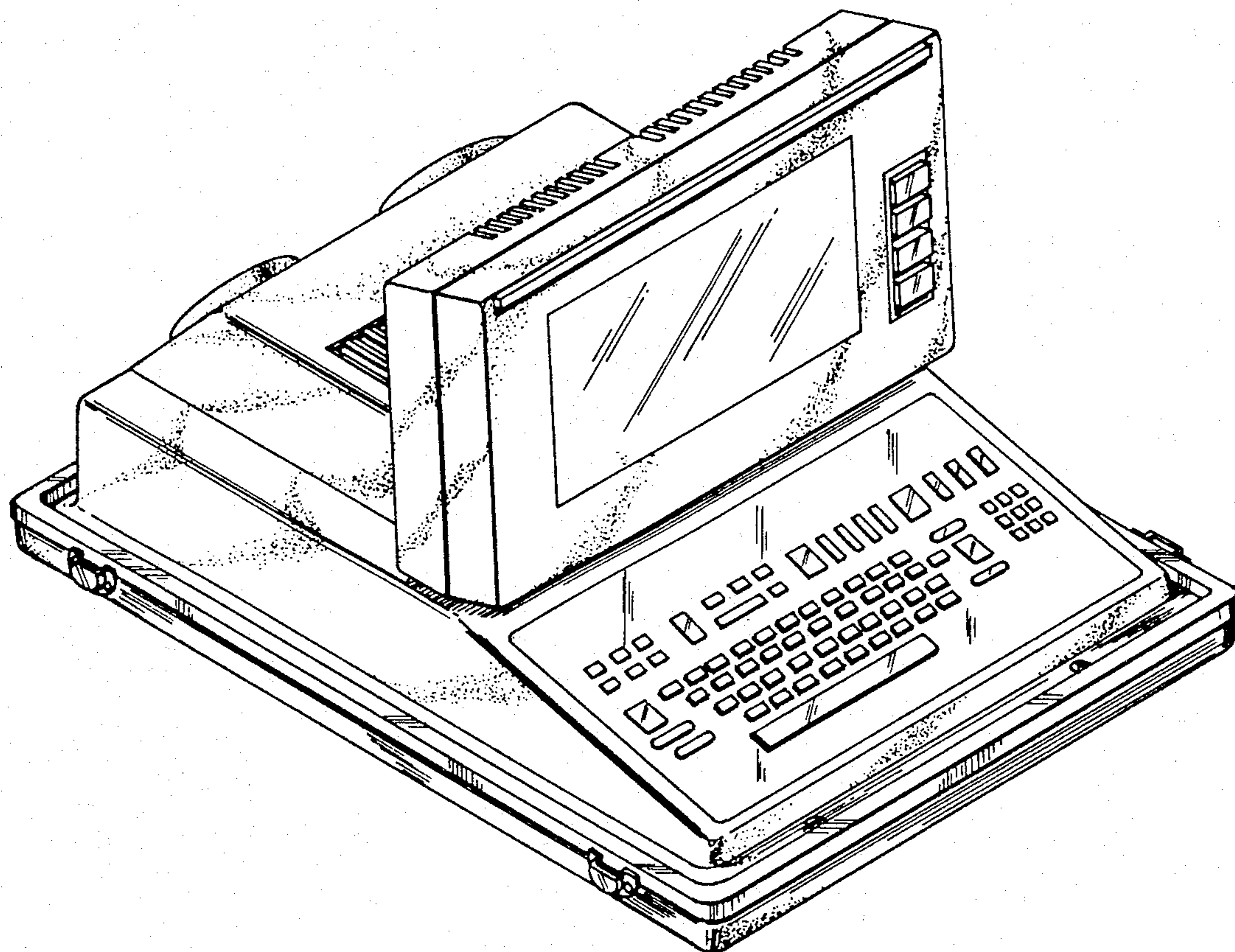


FIG-1

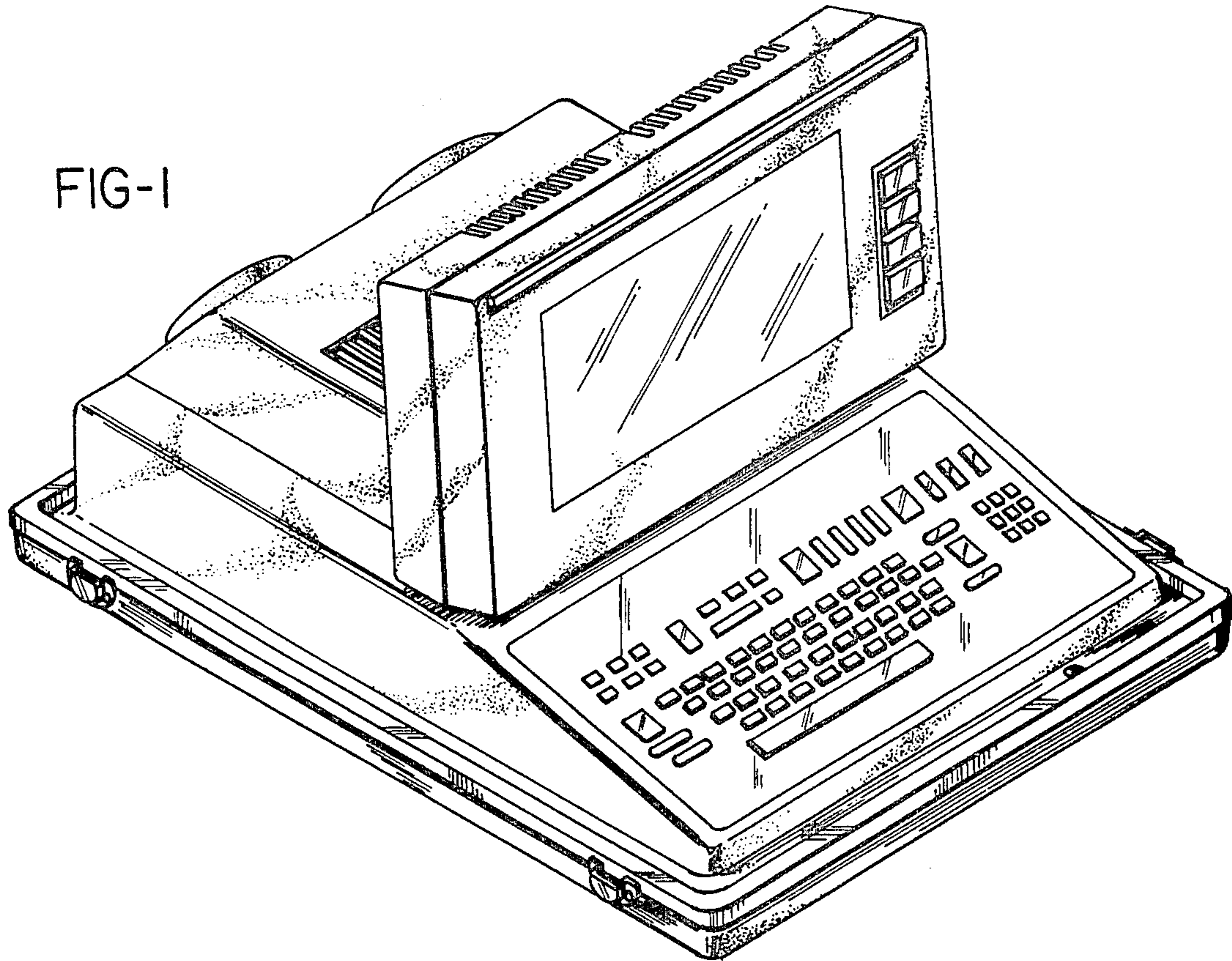


FIG-2

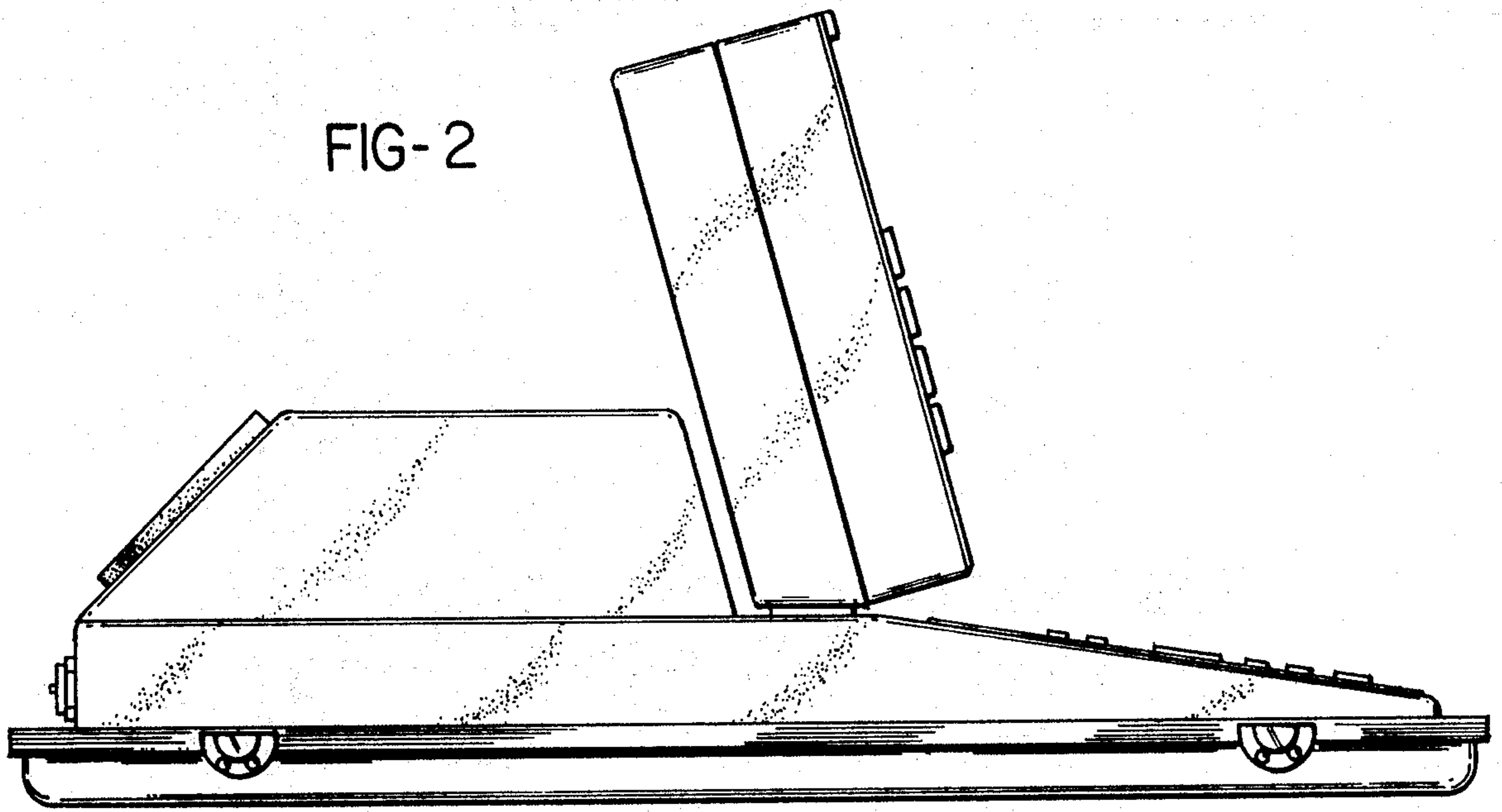


FIG-3

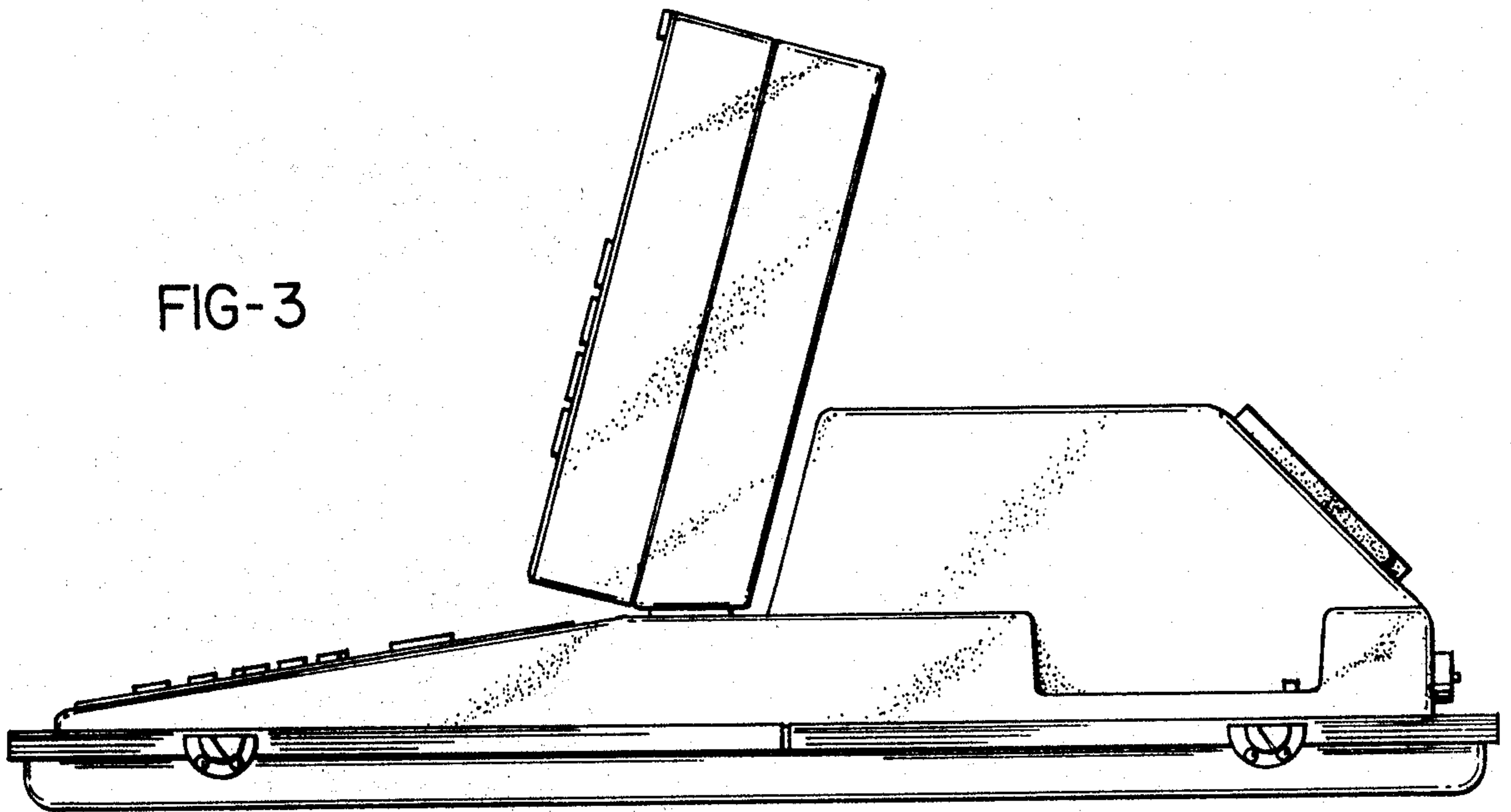


FIG-4

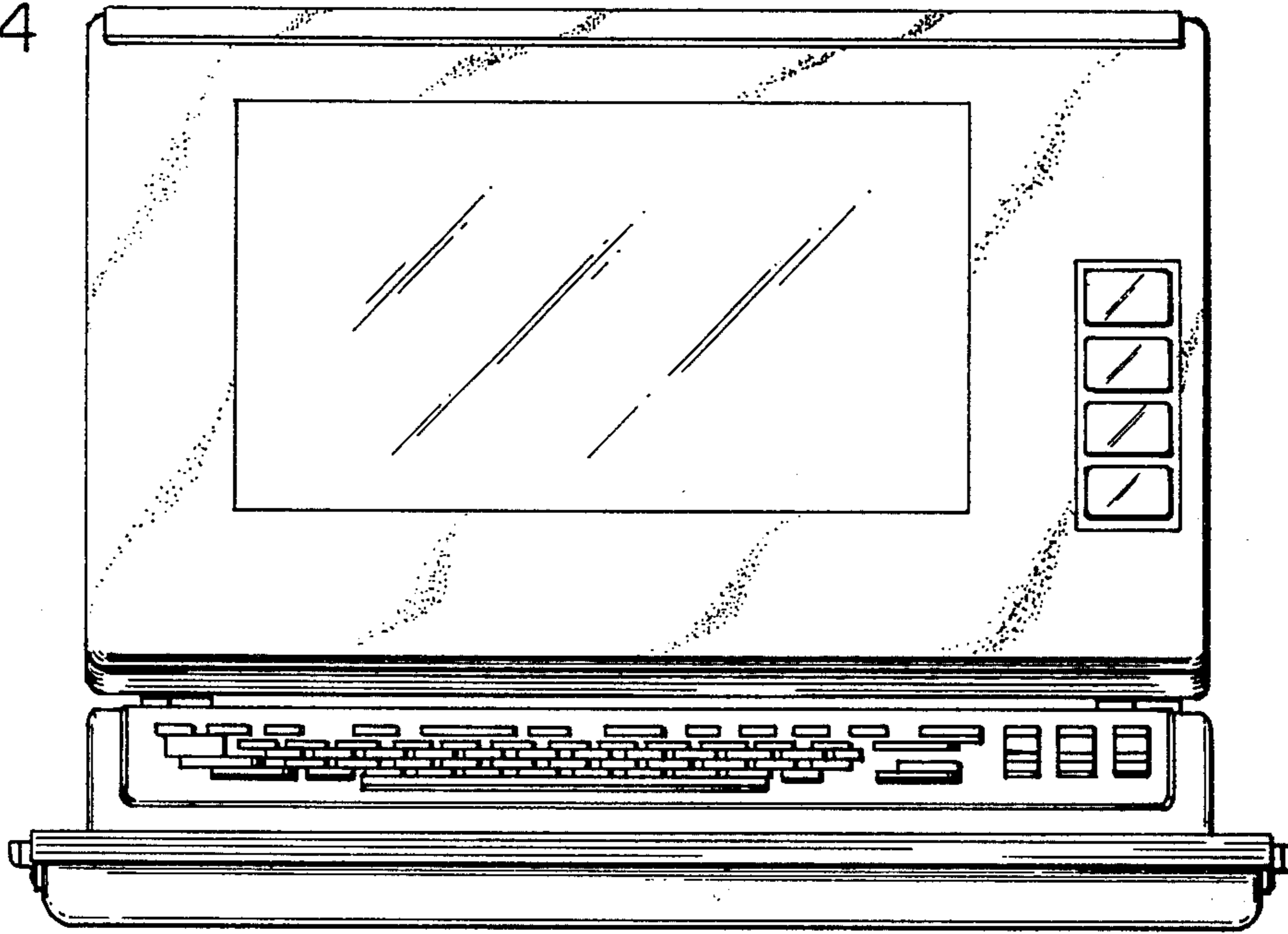


FIG-5

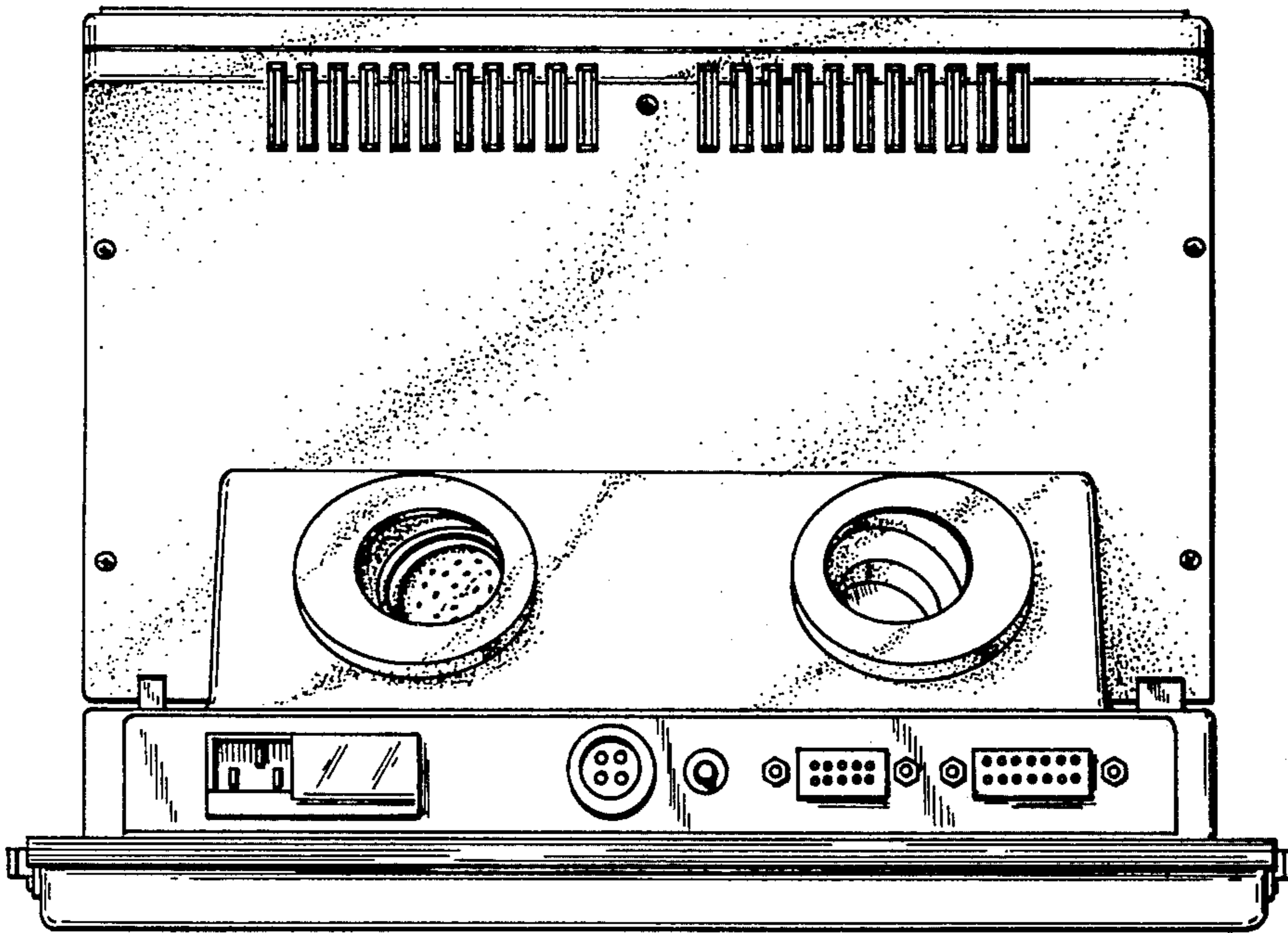


FIG-6

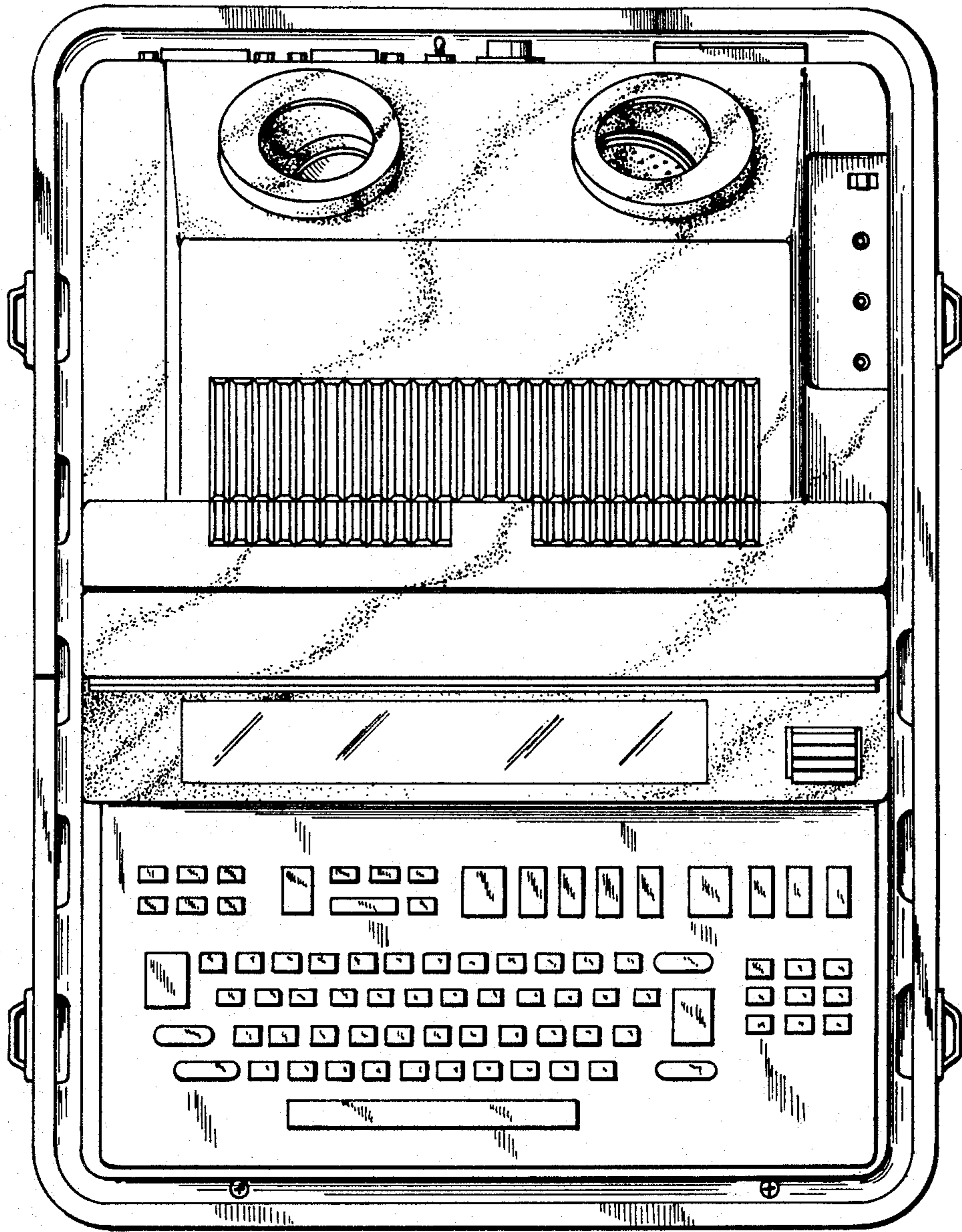


FIG-7

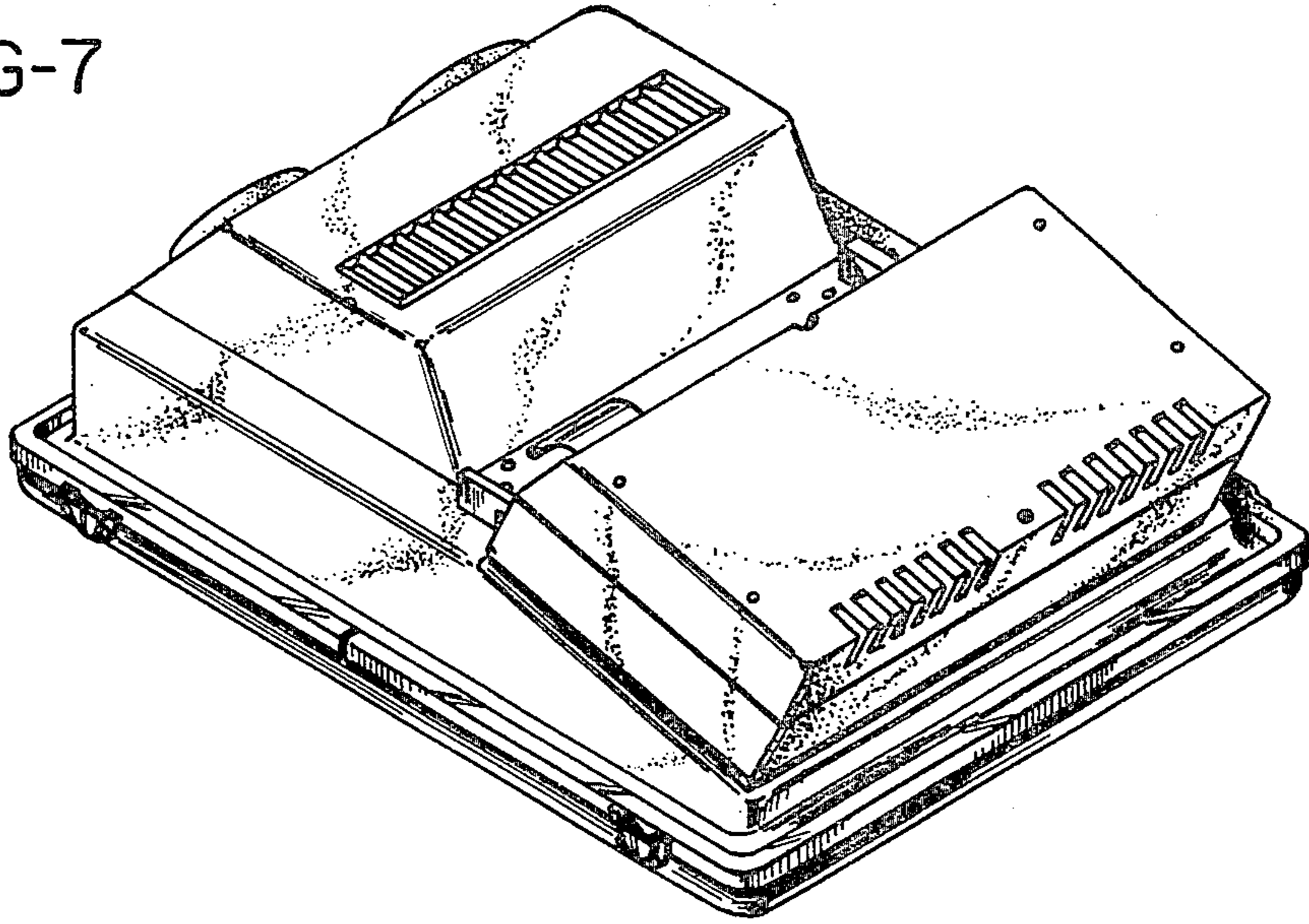


FIG-8

