

[54] CLAMP LINE TENSIOMETER

[75] Inventor: Max Van Mastrigt, Sunnyvale, Calif.

[73] Assignee: W. C. Dillon & Company, Inc., Van Nuys, Calif.

[\*\*] Term: 14 Years

[21] Appl. No.: 409,643

[22] Filed: Aug. 19, 1982

[52] U.S. Cl. .... D10/83

[58] Field of Search ..... D10/83, 102, 46; 73/862.45, 862.47, 862.48, 862.35; 200/61.13

[56] References Cited

U.S. PATENT DOCUMENTS

- D. 157,032 1/1950 Cushman ..... D10/83
- D. 271,669 12/1983 Öhrnell ..... D10/83

- 2,024,147 12/1935 Curtiss ..... D10/83X
- 2,401,576 6/1946 Mason ..... 73/862.47
- 3,494,183 2/1970 Sokolosky ..... 73/862.45
- 4,163,126 7/1979 Van Mastrigt ..... 73/862.47 X
- 4,171,640 10/1979 Van Mastrigt ..... 73/862.45

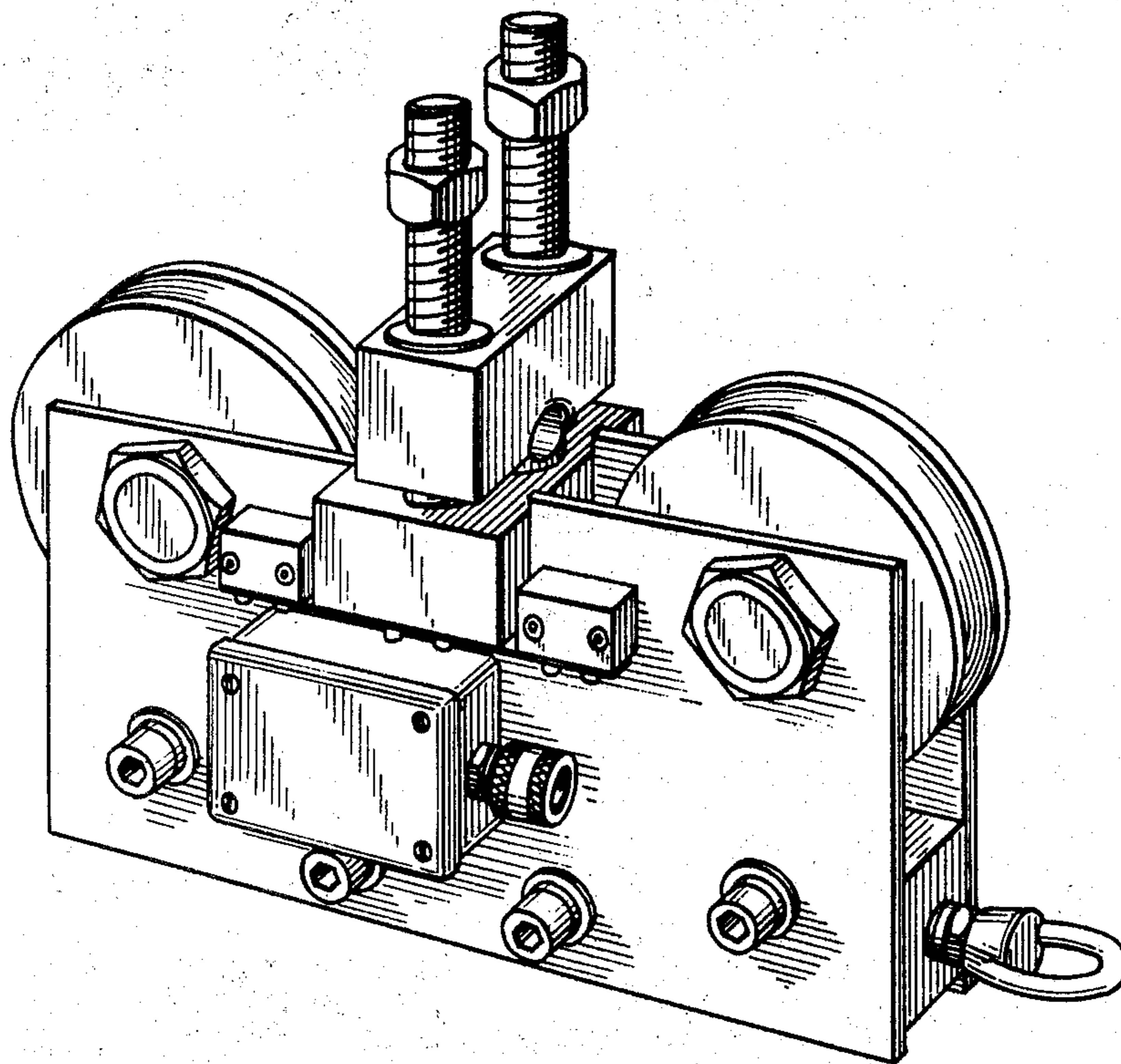
Primary Examiner—Nelson C. Holtje  
Attorney, Agent, or Firm—Ralph B. Pastoriza

[57] CLAIM

A clamp line tensiometer, substantially as shown.

DESCRIPTION

FIG. 1 is a top and right front perspective view of a clamp line tensiometer showing my new design; FIG. 2 is a rear elevational view thereof; FIG. 3 is a right side elevational view thereof; FIG. 4 is a left side elevational view thereof; FIG. 5 is a top plan view thereof; and FIG. 6 is a bottom plan view thereof.



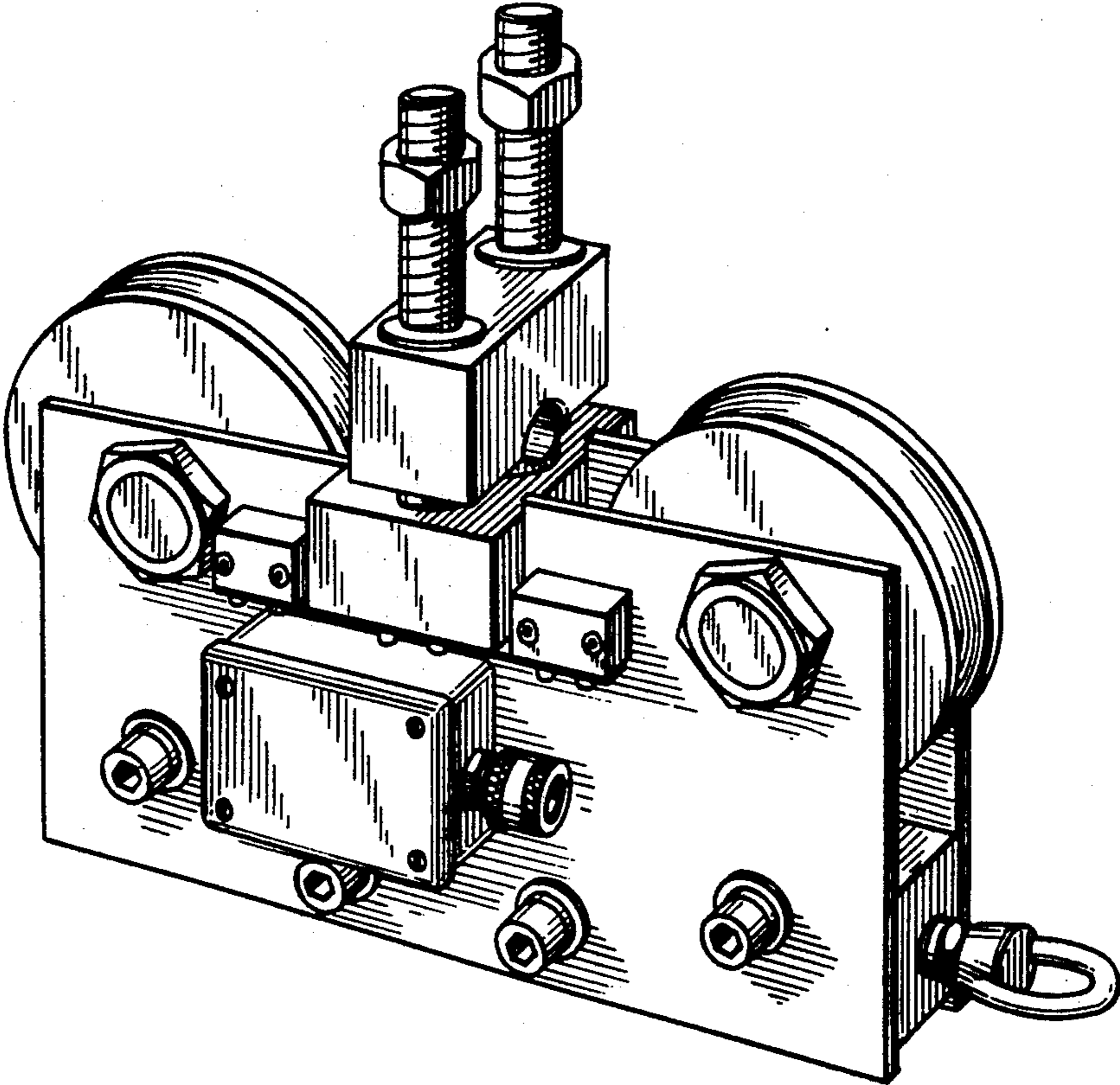


FIG. 1.

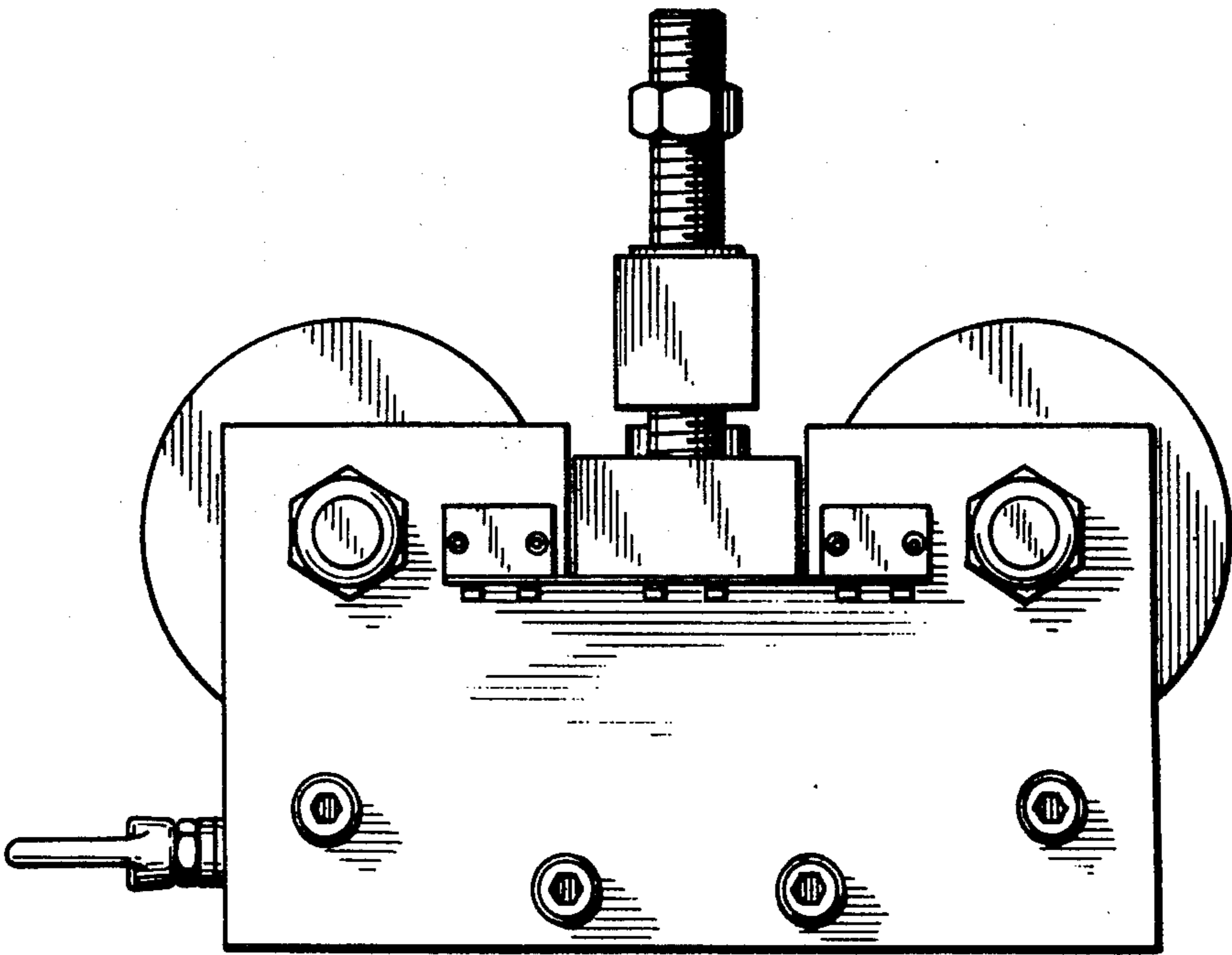


FIG. 2.

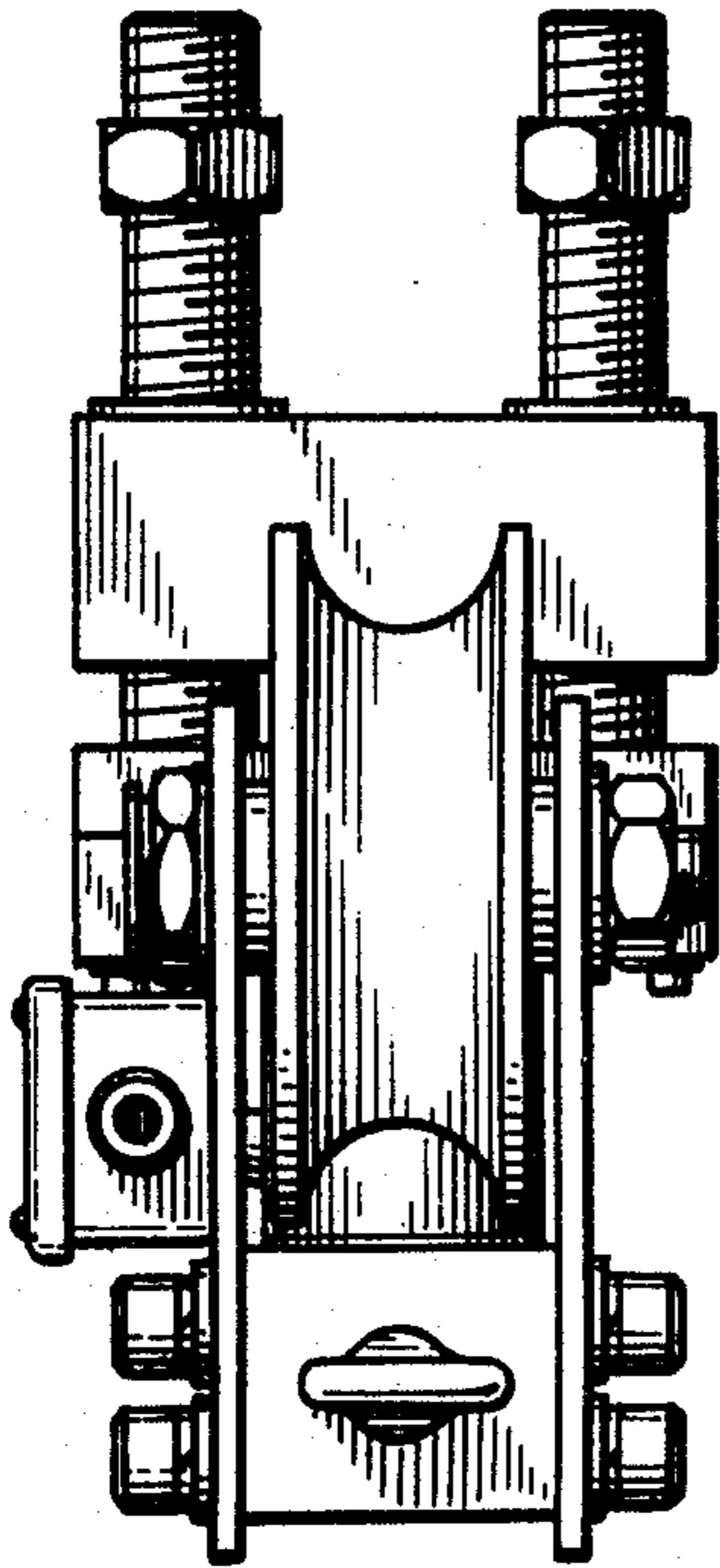


FIG.3.

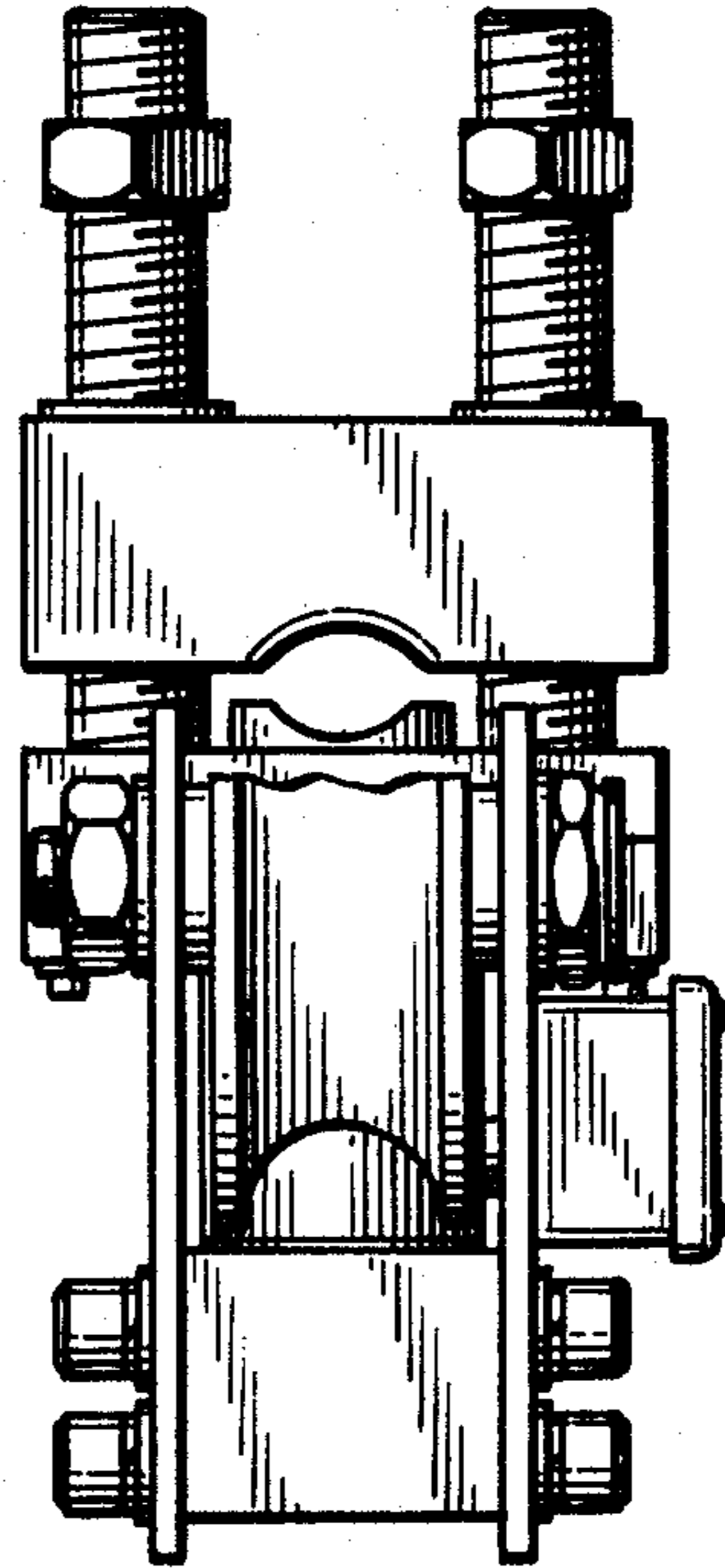


FIG.4.

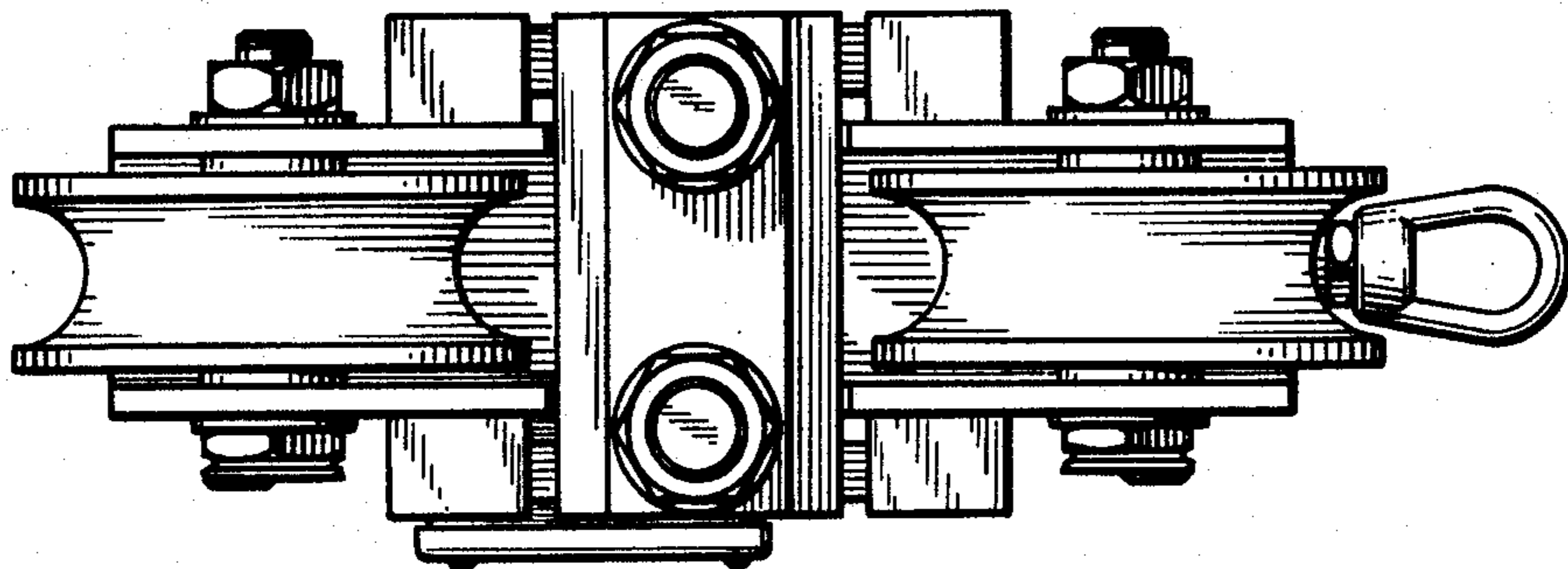


FIG.5.

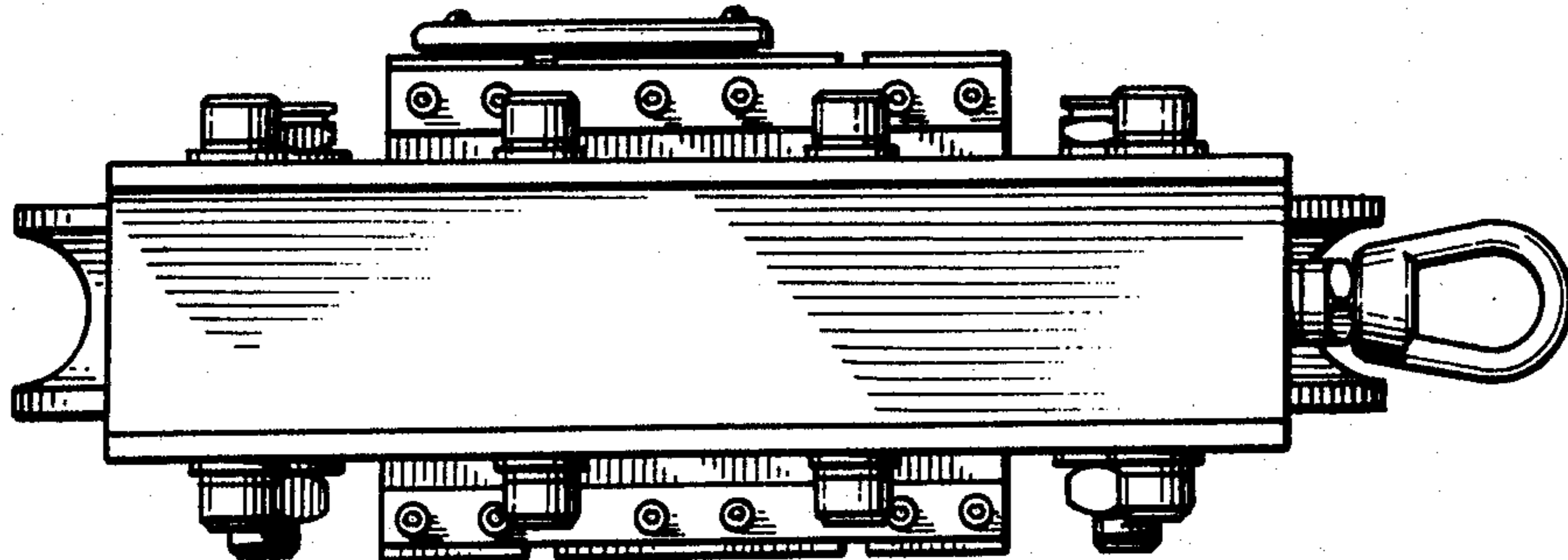


FIG.6.