

[54] VOLT METER

[75] Inventor: Charles M. McDonough, Stamford, Conn.

[73] Assignee: PCF Group Inc., Stamford, Conn.

[\*\*] Term: 14 Years

[21] Appl. No.: 389,424

[22] Filed: Jun. 17, 1982

[52] U.S. Cl. .... D10/78

[58] Field of Search ..... D10/46, 75, 78, 102, D10/103; 324/72.5, 115, 149, 156

[56] References Cited

U.S. PATENT DOCUMENTS

D. 196,875 11/1963 Engelhard ..... D10/78 X

D. 251,484	4/1979	Howard .....	D10/75
D. 255,552	6/1980	Schonstedt .....	D10/78
3,510,766	5/1970	Russell .....	324/72.5
3,522,533	8/1970	Bergero .....	324/149
4,107,017	8/1978	Sabins .....	324/115 X

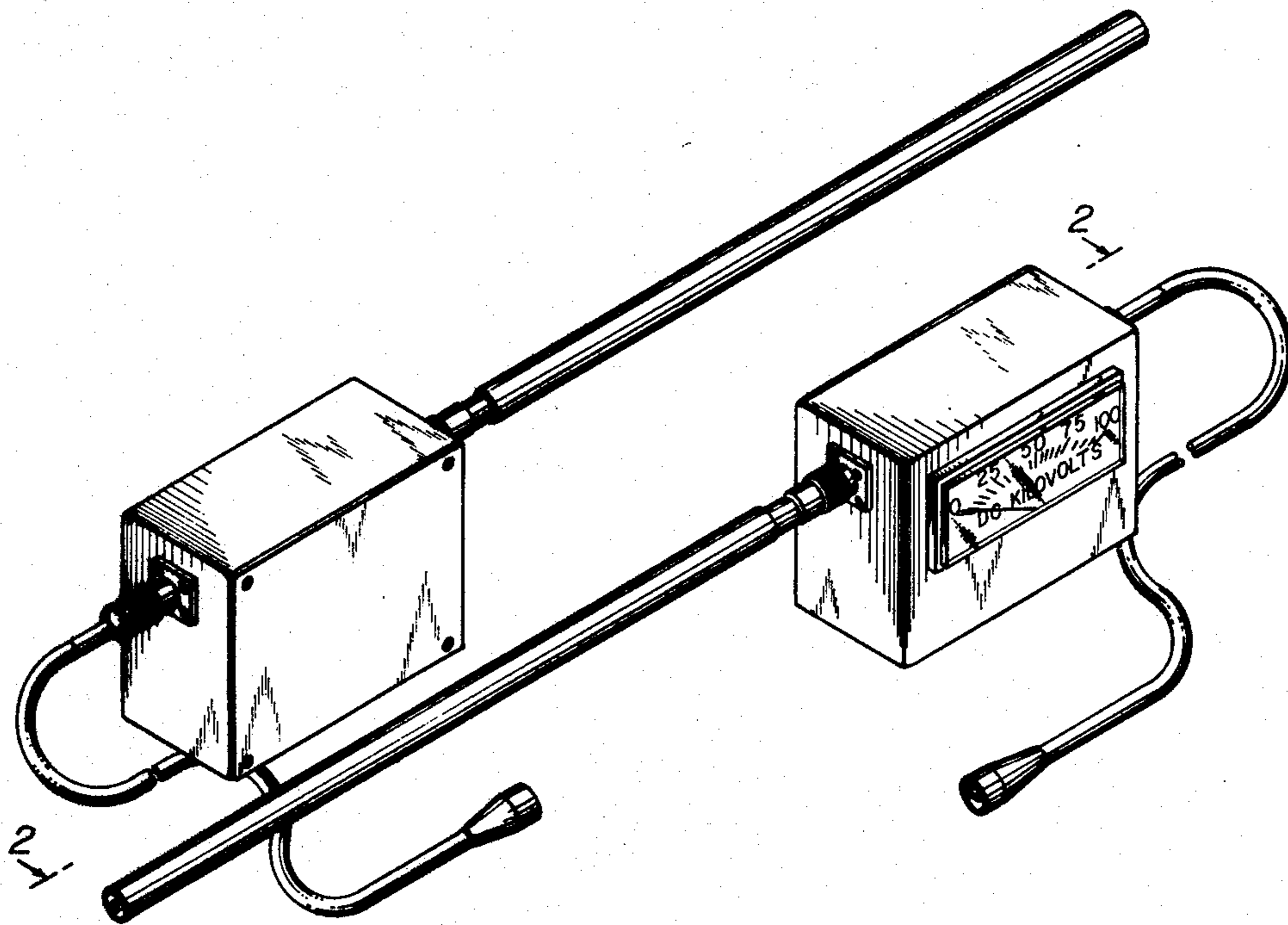
Primary Examiner—Nelson C. Holtje  
Attorney, Agent, or Firm—Barry R. Lipsitz

[57] CLAIM

The ornamental design for a volt meter, as shown and described.

DESCRIPTION

FIG. 1 is a front perspective view of a volt meter showing my new design; and FIG. 2 is a rear perspective view thereof as taken from line 2—2 of FIG. 1.



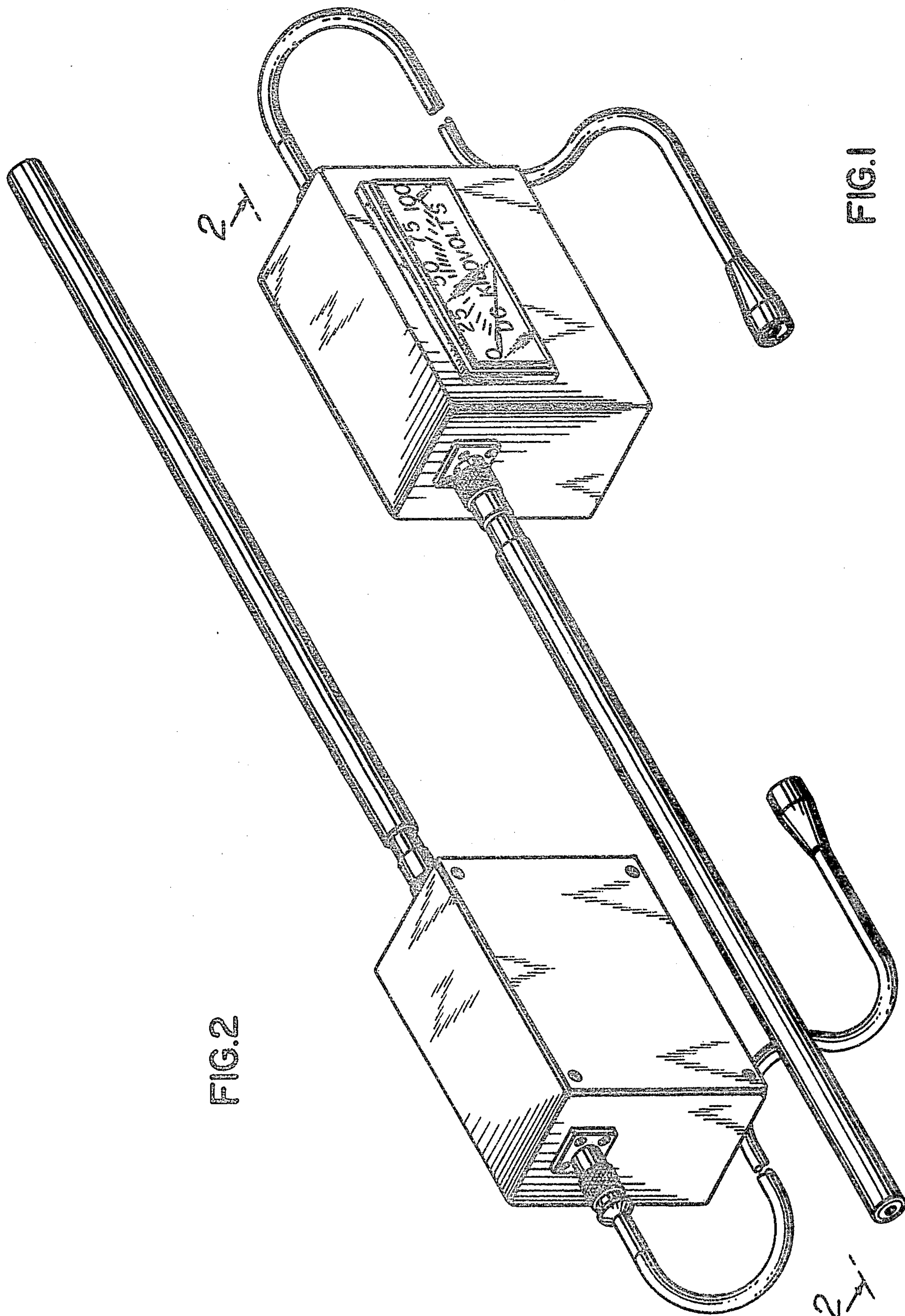


FIG. 1

FIG. 2