

[54] COMBINED STORAGE AND DISPLAY CONTAINER

[76] Inventor: George C. Sun, One Cherry Hill, Cherry Hill, N.J. 08002

[\*\*] Term: 14 Years

[21] Appl. No.: 368,963

[22] Filed: Apr. 16, 1982

[52] U.S. Cl. .... D9/315; D9/423; D9/430

[58] Field of Search ..... D9/315, 414, 420-424, D9/430-432, 435

[56] References Cited

U.S. PATENT DOCUMENTS

- D. 89,425 3/1933 Horner ..... D9/431
- D. 130,500 11/1941 Huch ..... D9/315
- D. 168,416 12/1952 McGinnis ..... D9/315
- D. 190,529 6/1961 Morris ..... D9/315

- D. 216,350 12/1969 Selwyn ..... D9/423
- D. 230,598 3/1974 Goodrich ..... D9/424 X
- D. 244,123 4/1977 Shiffman ..... D9/423
- D. 256,779 9/1980 Stahel ..... D9/432
- D. 271,378 11/1983 Sun ..... D9/431 X

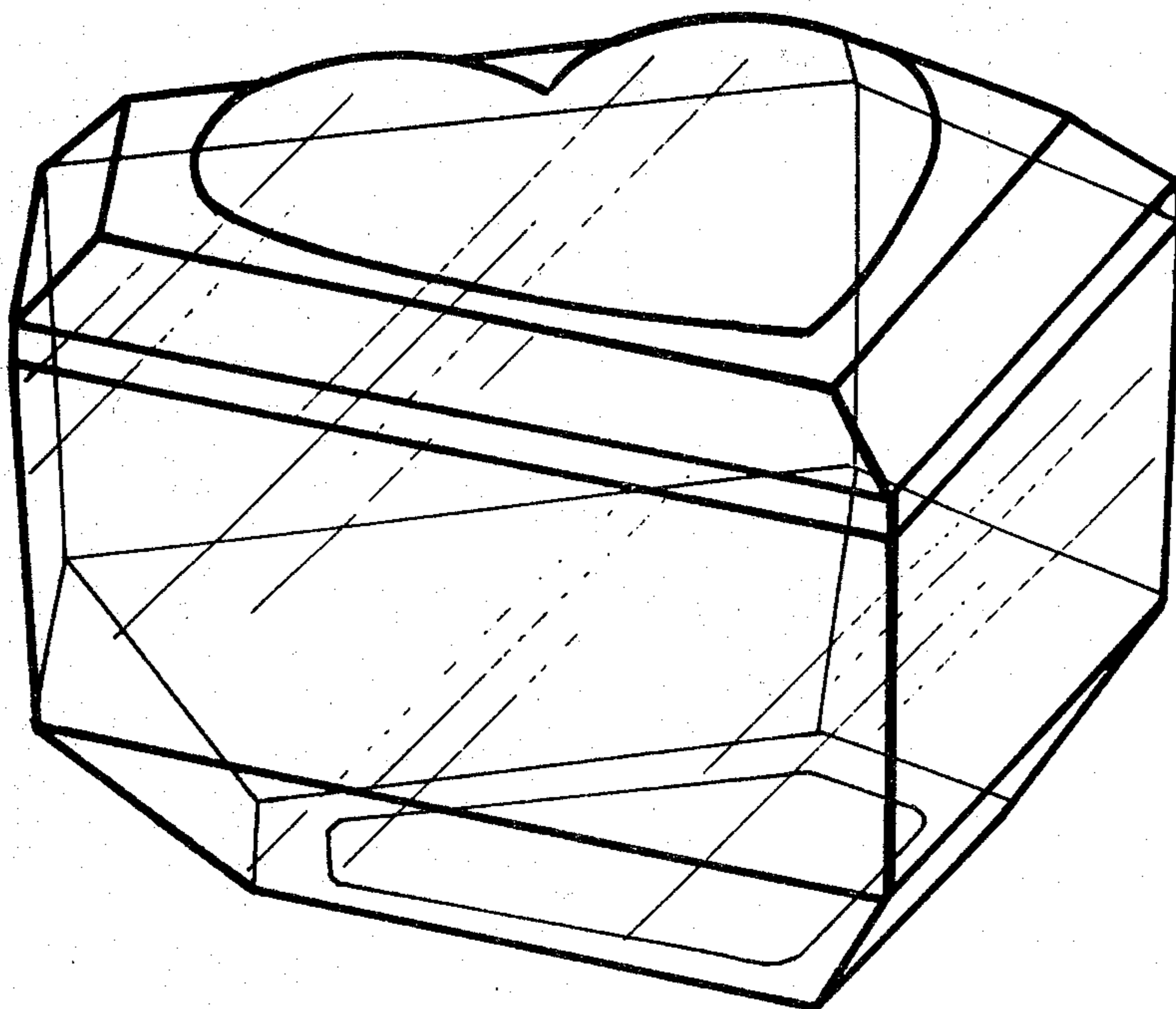
Primary Examiner—Robert C. Spangler  
Attorney, Agent, or Firm—Weiser & Stapler

[57] CLAIM

The ornamental design for a combined storage and display container, substantially as shown and described.

DESCRIPTION

FIG. 1 is a front perspective view of the combined storage and display container showing my new design; FIG. 2 is a top plan view thereof; FIG. 3 is a front plan view thereof; FIG. 4 is a right-side elevational view thereof; FIG. 5 is a bottom view thereof; FIG. 6 is a rear view thereof; and FIG. 7 is a left-side elevational view thereof.



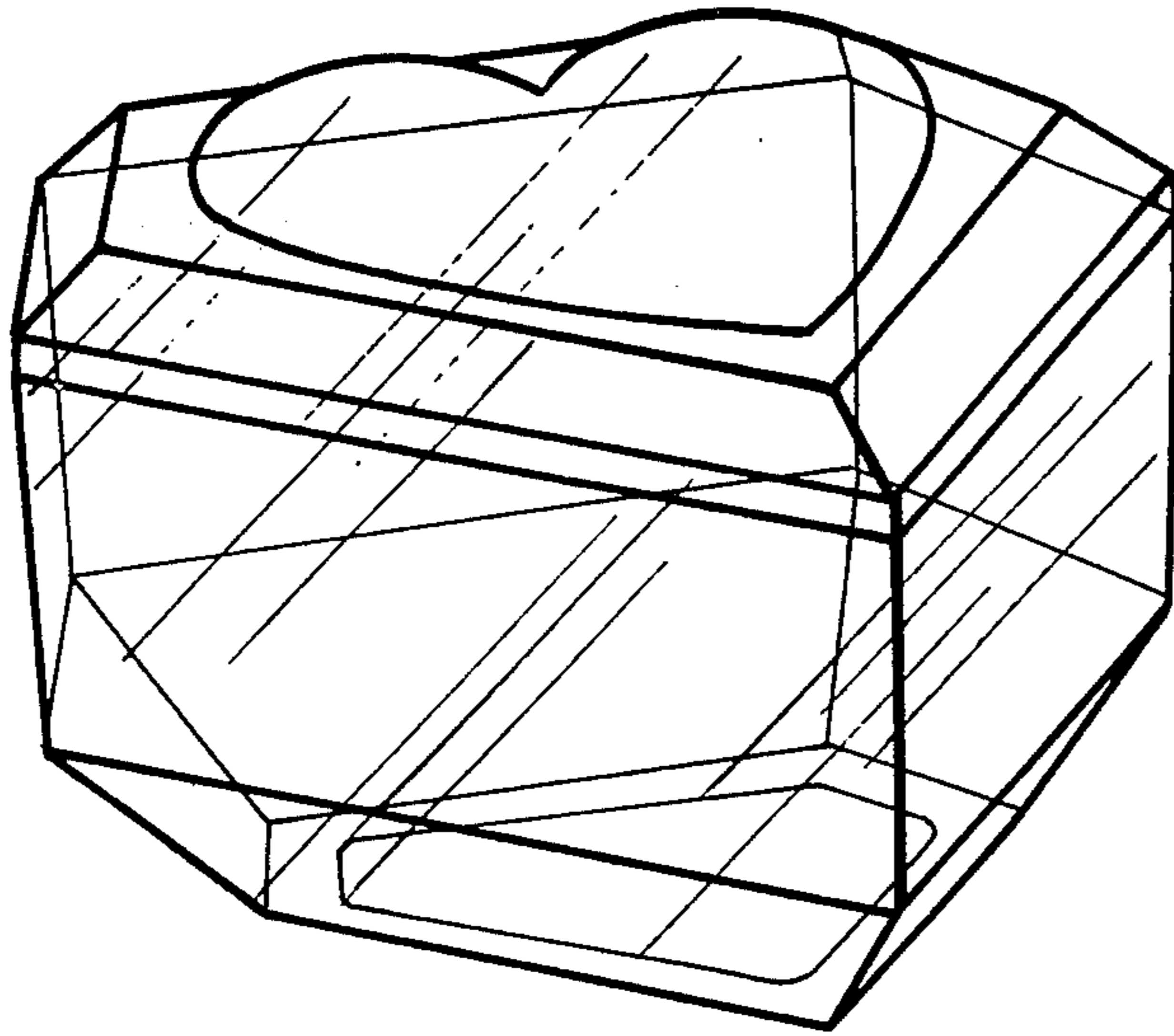


FIG. 1

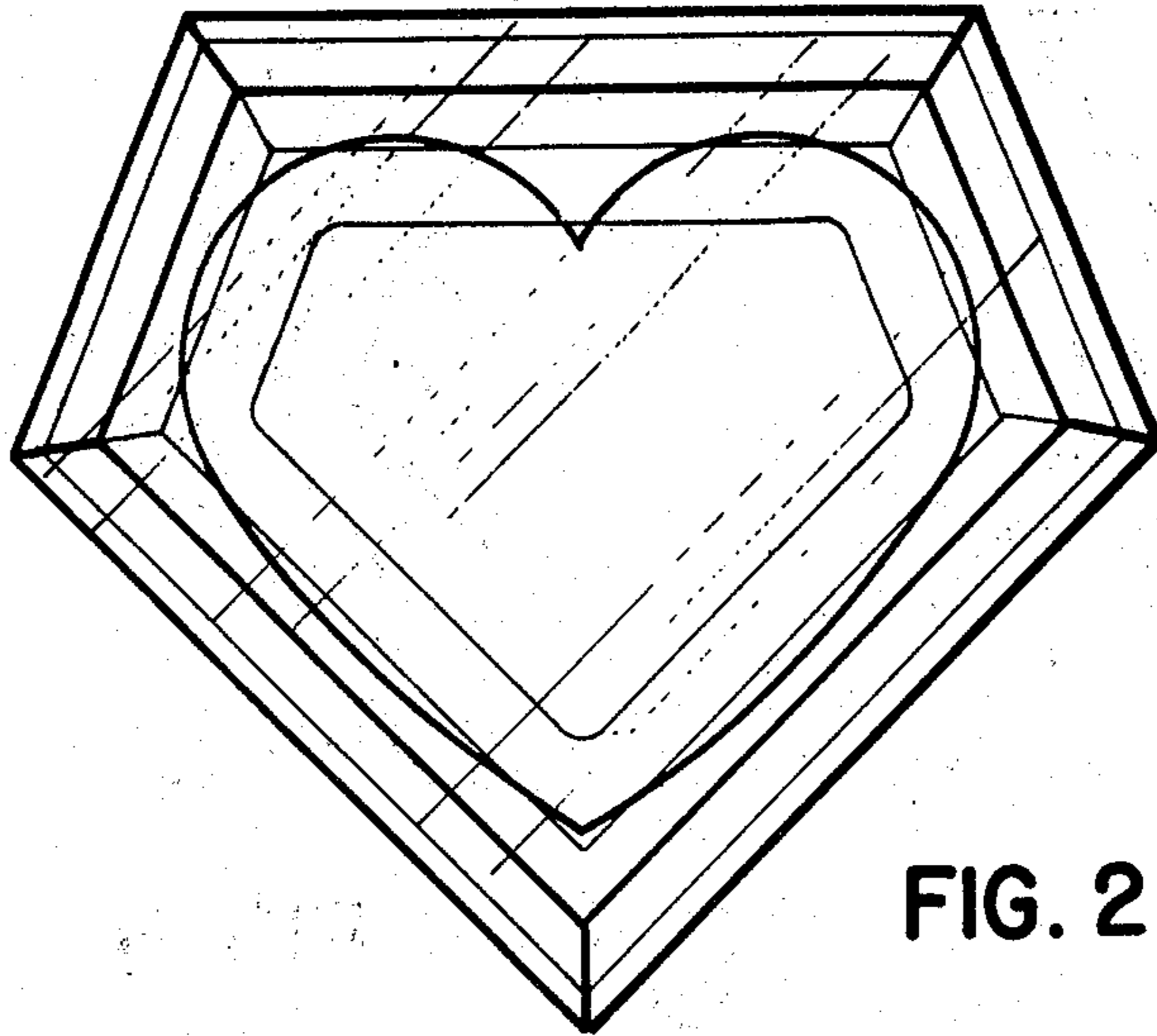


FIG. 2

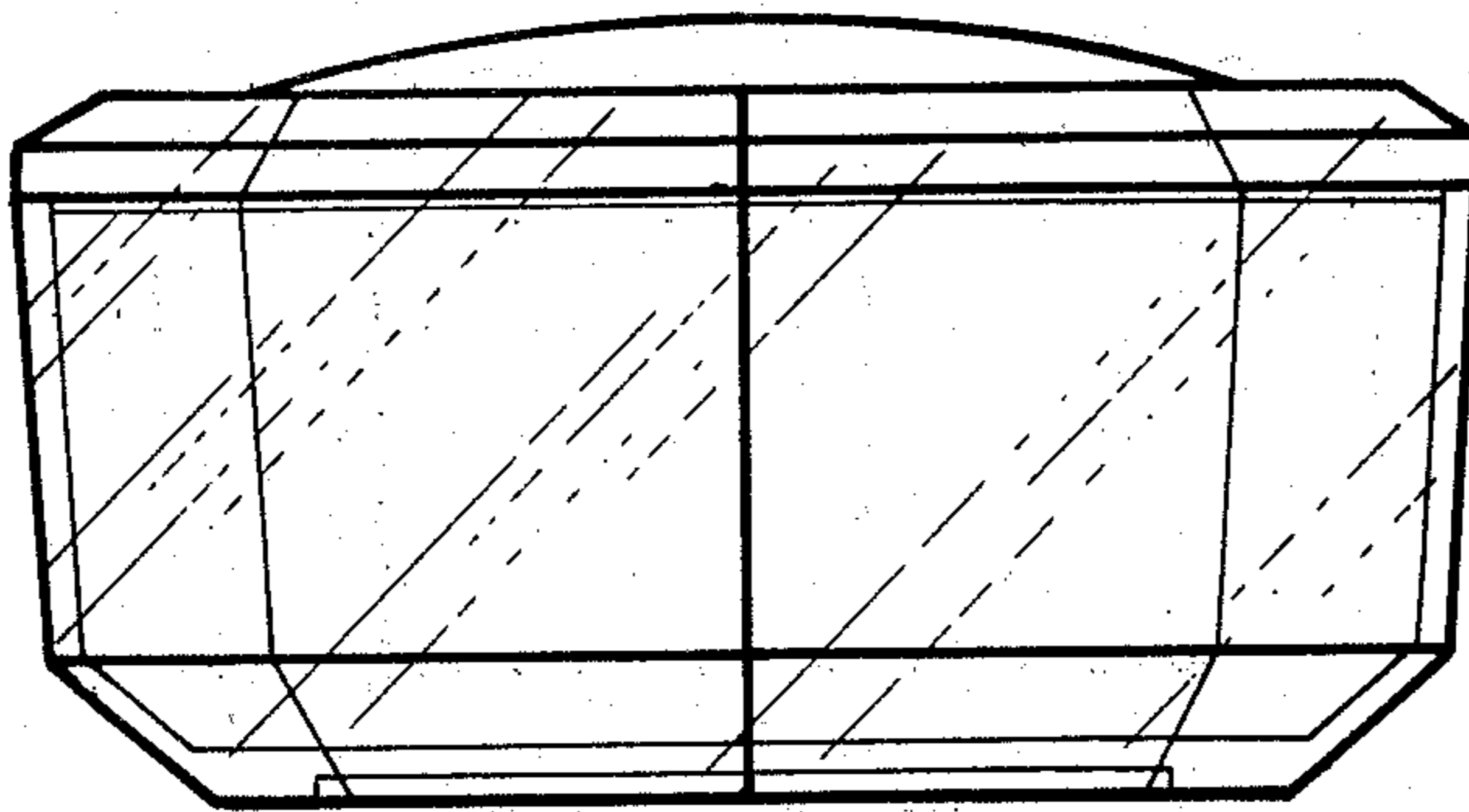


FIG. 3

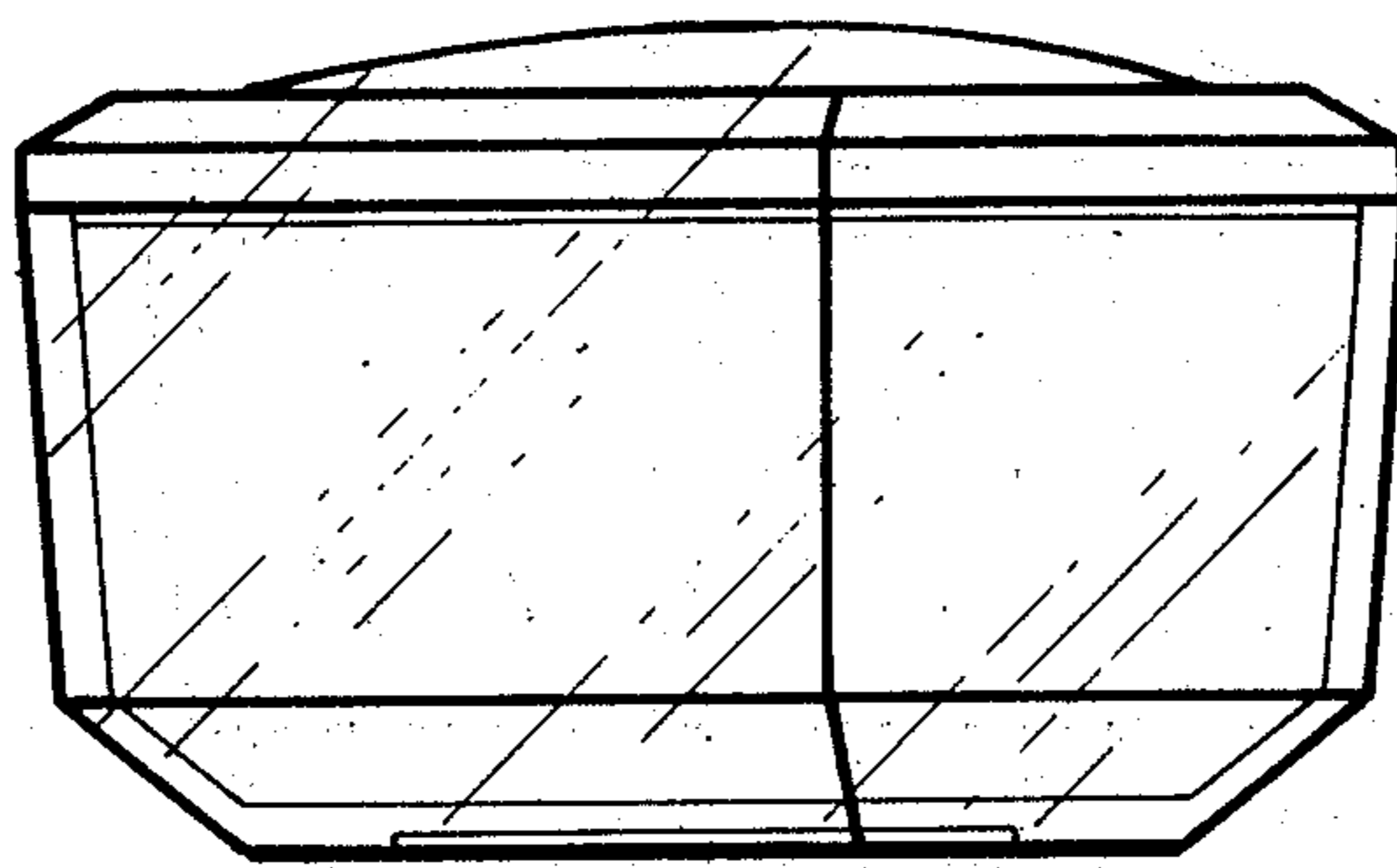


FIG. 4

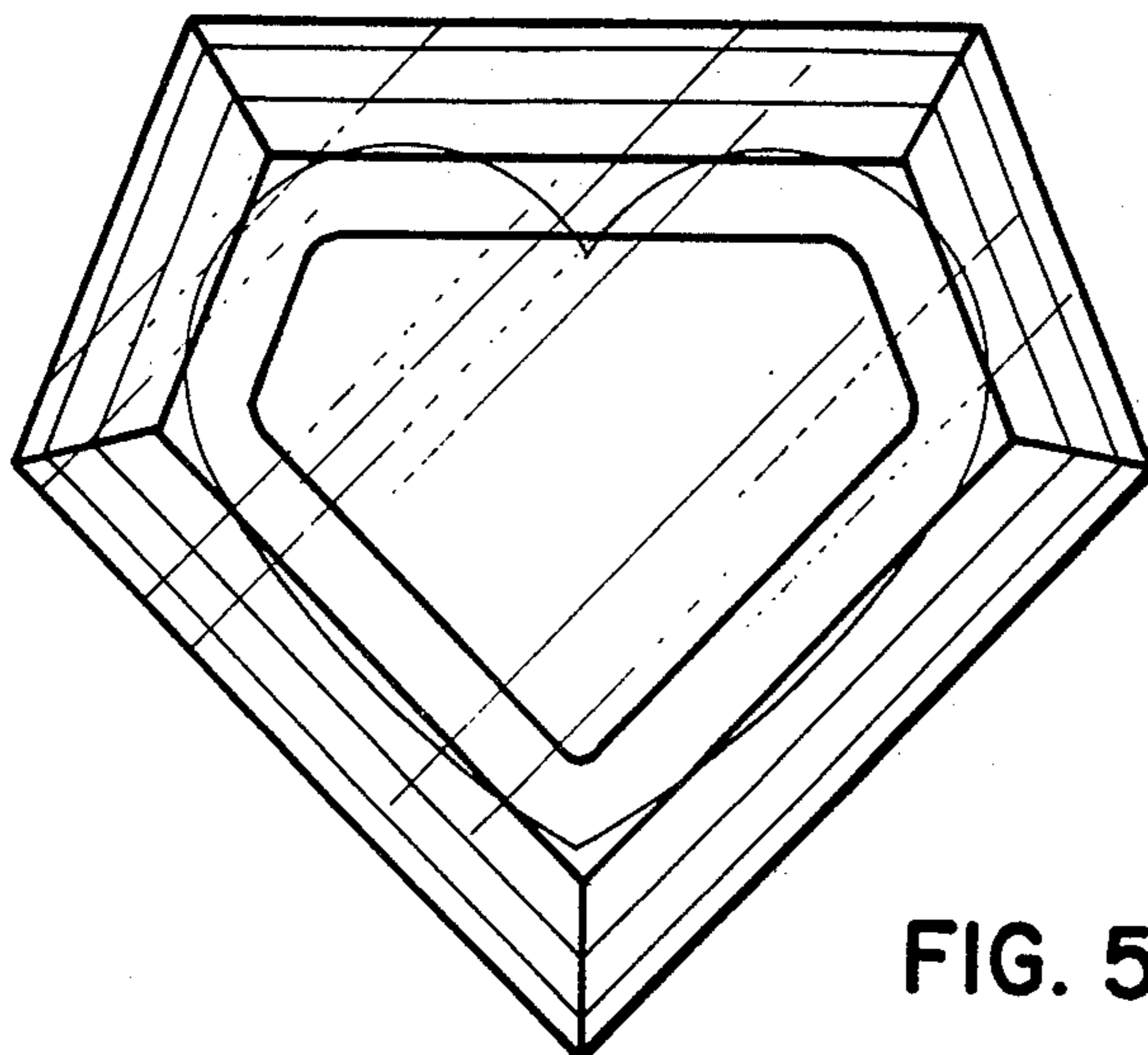


FIG. 5

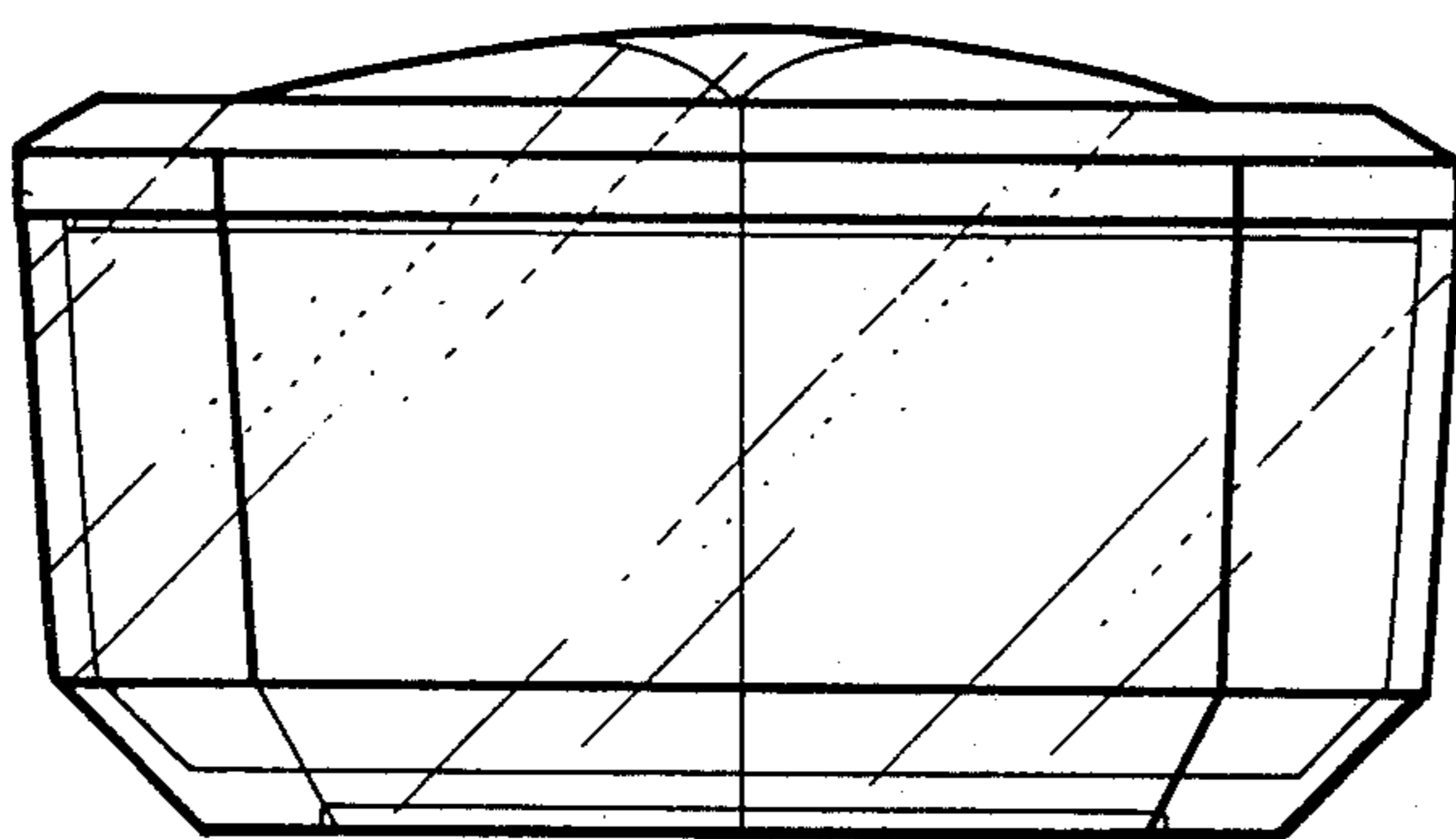


FIG. 6

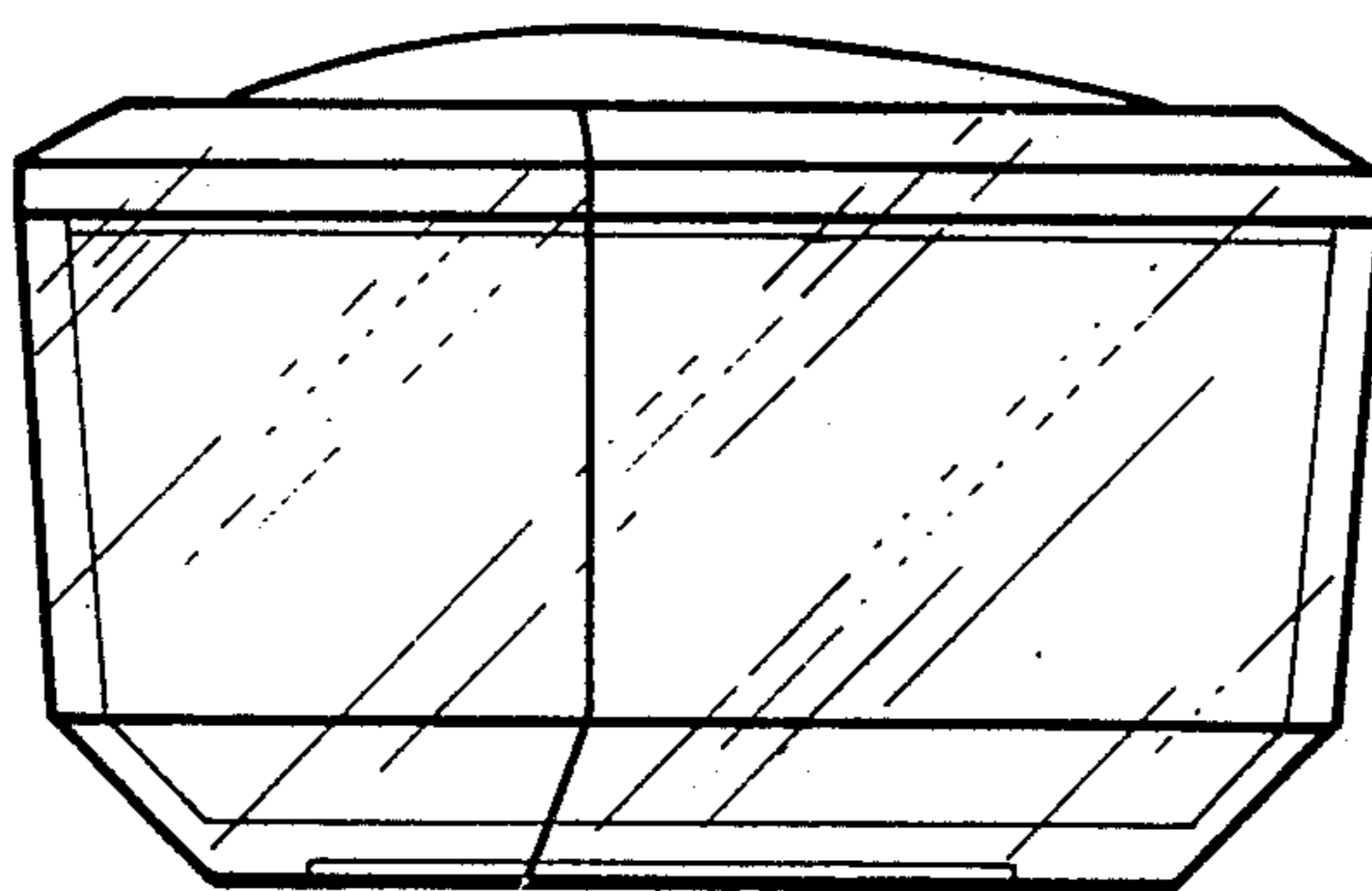


FIG. 7