

[54] ROOF INSULATION
STRESS-DISTRIBUTING FASTENER PLATE

[75] Inventor: Lawrence H. Bowen, Tempe, Ariz.

[73] Assignee: Carlisle Corporation, Cincinnati, Ohio

[**] Term: 14 Years

[21] Appl. No.: 390,227

[22] Filed: Jun. 21, 1982

[52] U.S. Cl. D8/399; D11/102

[58] Field of Search D8/399; D11/102;
411/531-547; 405/259; 52/698

[56] References Cited

U.S. PATENT DOCUMENTS

D. 236,428	8/1975	Stewart	D8/399
D. 237,681	11/1975	Krohl	D8/399
D. 263,678	4/1982	Dewey	D8/399
D. 263,927	4/1982	Dewey	D8/399
4,150,465	4/1979	Gavin, Jr.	D8/399

OTHER PUBLICATIONS

"A Guide Book of U.S. Coins"; by R. S. Yeoman; 21st ed. 1968; p. 94; face of Indian Head nickel.
Carlisle Tire & Rubber, Carlisle Sure-Seal Insulation Fastener Systems.
Buildex-Bulletin No. B-22002-80 ©1980.
Fabco Fastening Systems-Bulletin F-107.
Construction Fasteners, Inc.-Bulletin 801005 ©1980.
Grefco, Inc. bulletin.

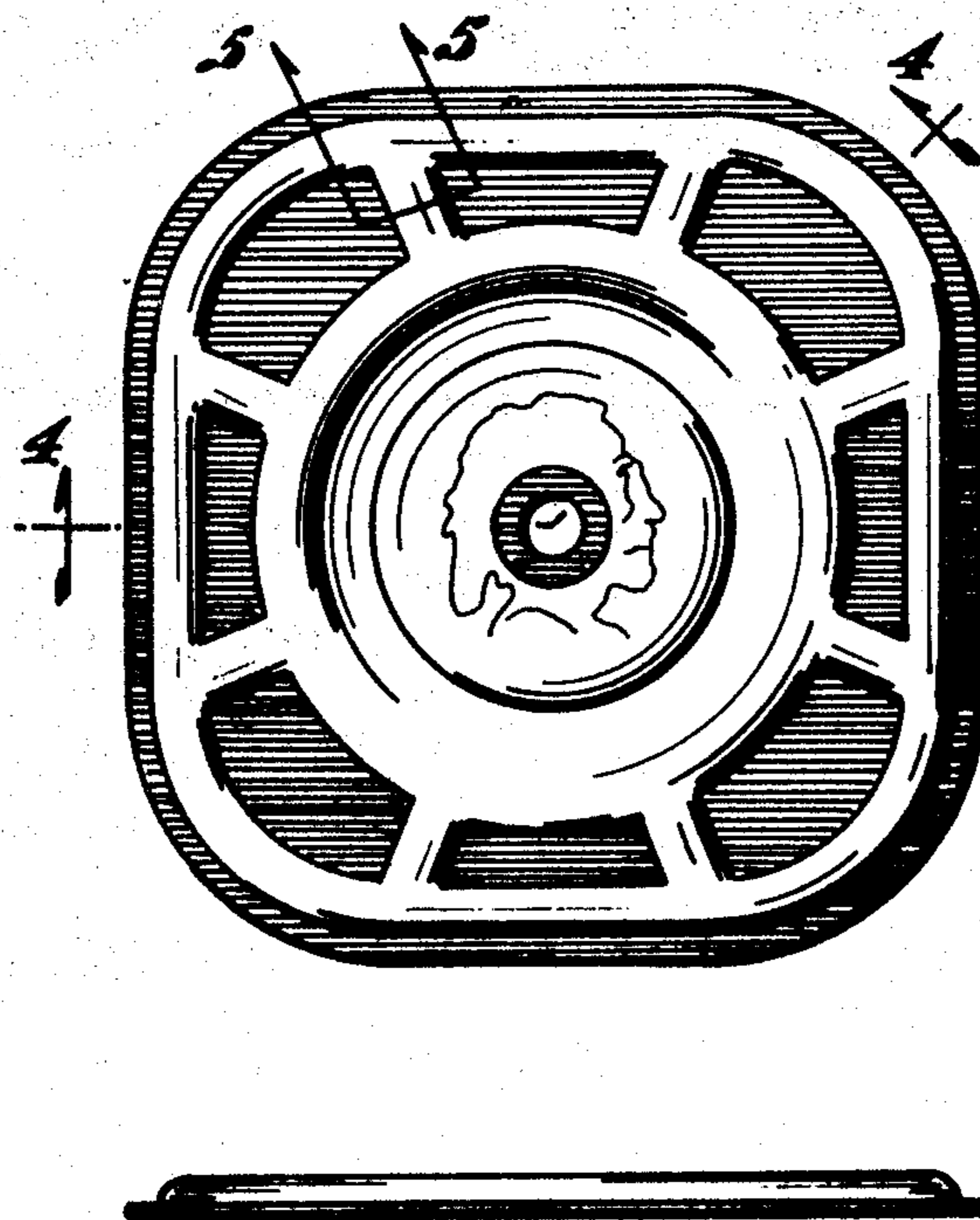
Primary Examiner—B. J. Bullock
Attorney, Agent, or Firm—Wood, Herron & Evans

[57] CLAIM

The ornamental design for a roof insulation stress-distributing fastener plate, as shown.

DESCRIPTION

FIG. 1 is a top plan view of the roof insulation stress-distributing fastener plate showing my new design;
FIG. 2 is a bottom plan view thereof;
FIG. 3 is a side elevational view thereof;
FIG. 4 is a cross-sectional view thereof along line 4—4 of FIG. 1; and
FIG. 5 is a cross-sectional view thereof along line 5—5 of FIG. 1.



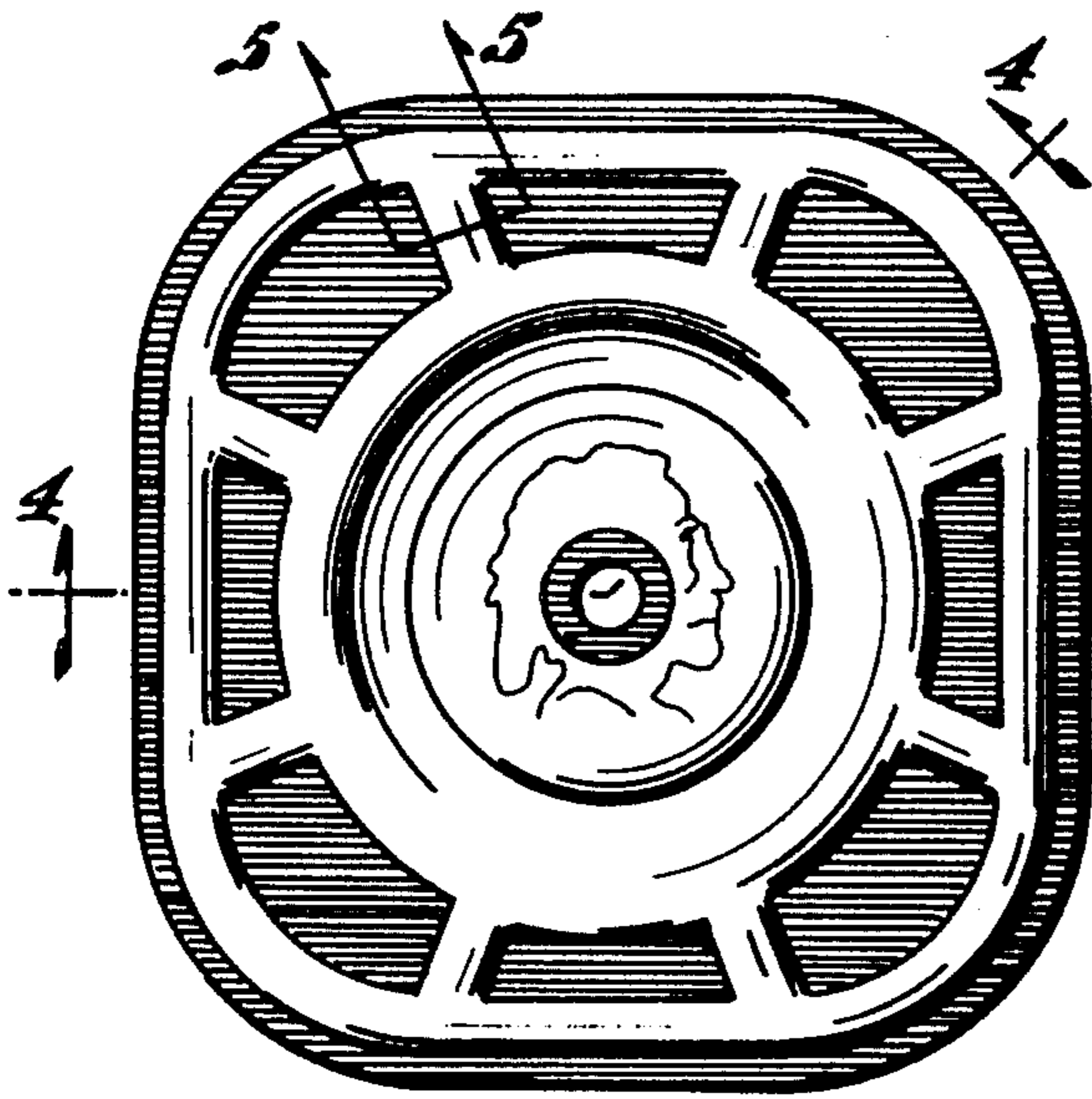


Fig. 1

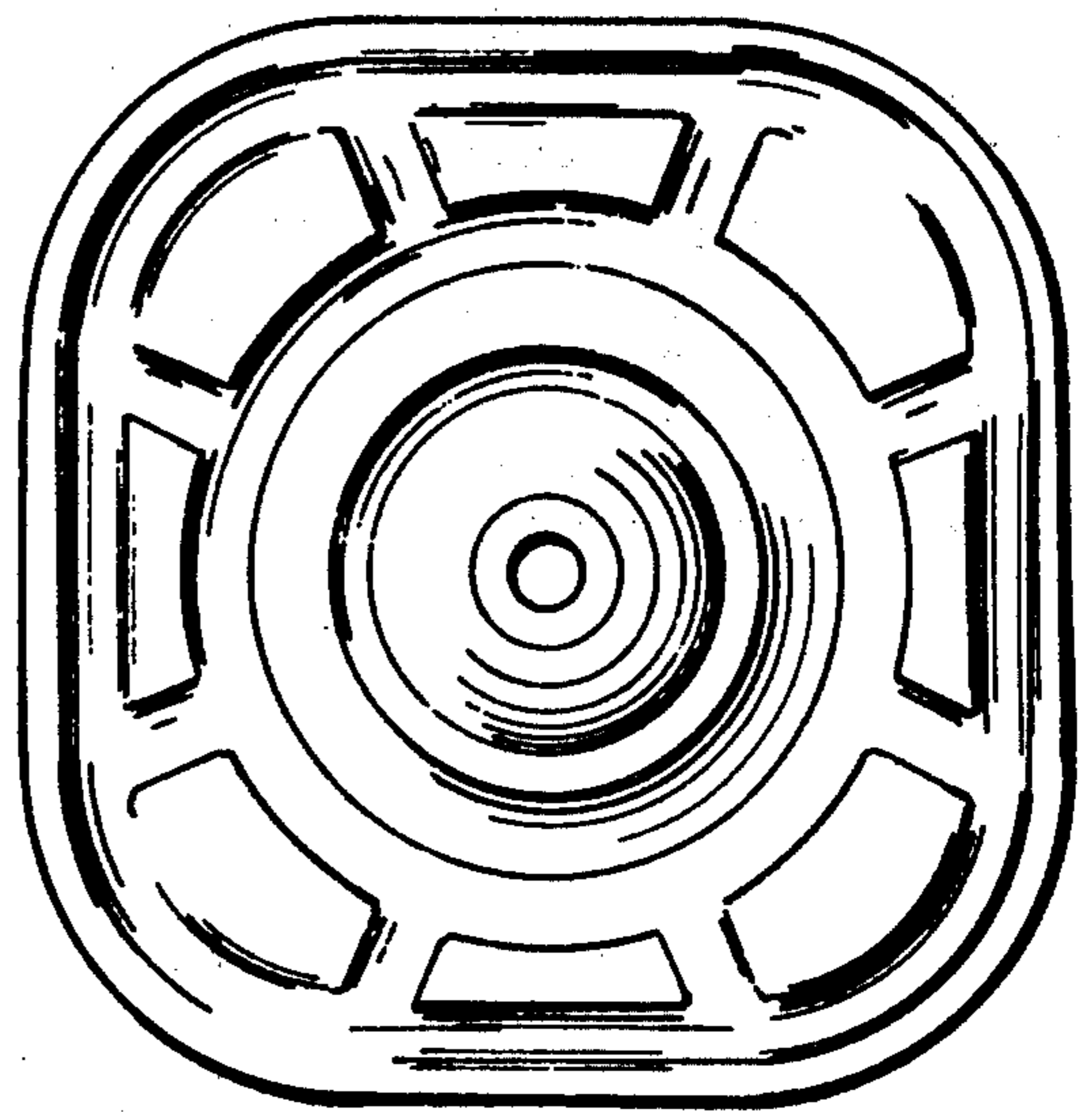


Fig. 2

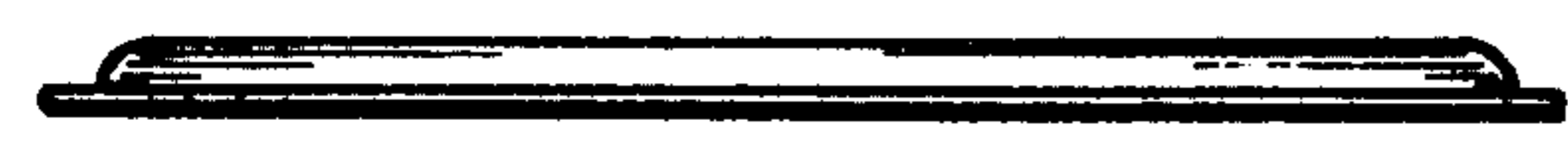


Fig. 3



Fig. 4



Fig. 5