

[54] TUBE CLAMP

[75] Inventor: Bengt Magnér, Mellösa, Sweden

[73] Assignee: Opto Systems Ltd., Staylybridge, England

[**] Term: 14 Years

[21] Appl. No.: 230,350

[22] Filed: Jan. 30, 1981

[30] Foreign Application Priority Data

Aug. 1, 1980 [SE] Sweden 80-1475

[52] U.S. Cl. D8/382

[58] Field of Search D8/354, 382, 396; 403/205, 231, 391, 403

[56] References Cited

U.S. PATENT DOCUMENTS

D. 157,594	3/1950	Hollaender	D8/382
D. 186,405	10/1959	Hollaender	D23/43
D. 264,046	4/1982	Magner	D8/382
D. 264,047	4/1982	Magner	D8/382
D. 264,048	4/1982	Magner	D8/382
D. 264,049	4/1982	Magner	D8/382
D. 264,050	4/1982	Magner	D8/382
D. 264,178	5/1982	Magner	D8/382
577,220	2/1897	Whitehead	403/391 X
1,166,688	1/1916	Hornby	403/391 X
1,266,441	5/1918	Finkelstein	403/313 X
3,342,457	9/1969	Bobrowski	403/205

FOREIGN PATENT DOCUMENTS

229642	2/1963	Austria	403/391
1201443	9/1965	Fed. Rep. of Germany	403/391
2813379	10/1978	Fed. Rep. of Germany	403/391
2725626	12/1978	Fed. Rep. of Germany	403/391
953295	9/1947	France	403/391
88370	11/1956	Norway	403/391

Primary Examiner—James R. Largen
Attorney, Agent, or Firm—Browdy and Neimark

[57] CLAIM

The ornamental design for tube clamp, as shown and described.

DESCRIPTION

FIG. 1 is a front elevational view of a tube clamp showing my new design, the rear being the same as the front shown;

FIG. 2 is an elevational view taken from one side thereof;

FIG. 3 is a bottom plan view thereof;

FIG. 4 is a top plan view thereof;

FIG. 5 is an elevational view taken from the side opposite that shown in FIG. 2;

FIG. 6 is a rear elevational view of a modified form of the tube clamp shown in FIG. 1;

FIG. 7 is a right side elevational view of FIG. 6;

FIG. 8 is a bottom plan view of FIG. 6;

FIG. 9 is a top plan view of FIG. 6; and

FIG. 10 is a left side elevational view of FIG. 6.

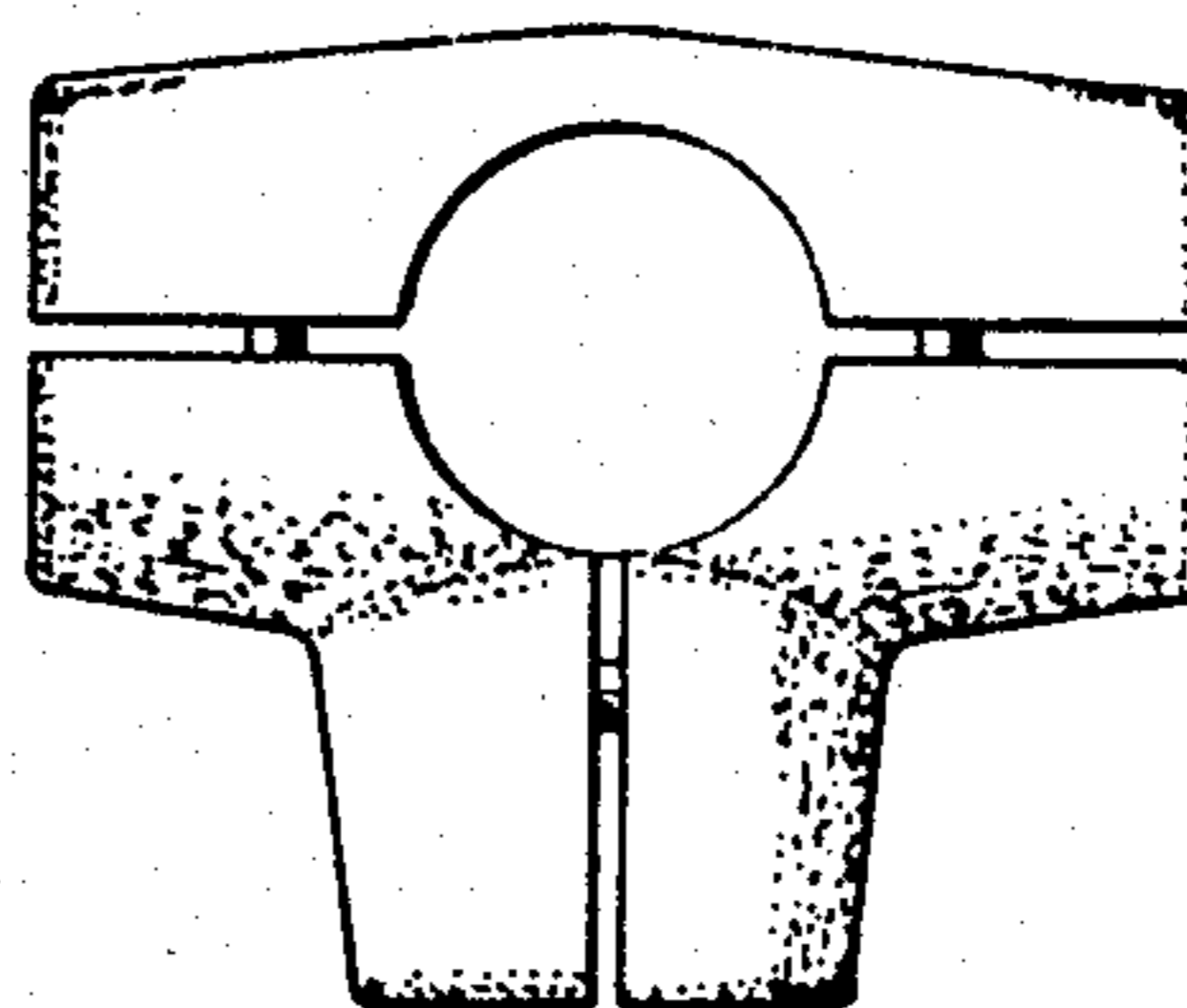
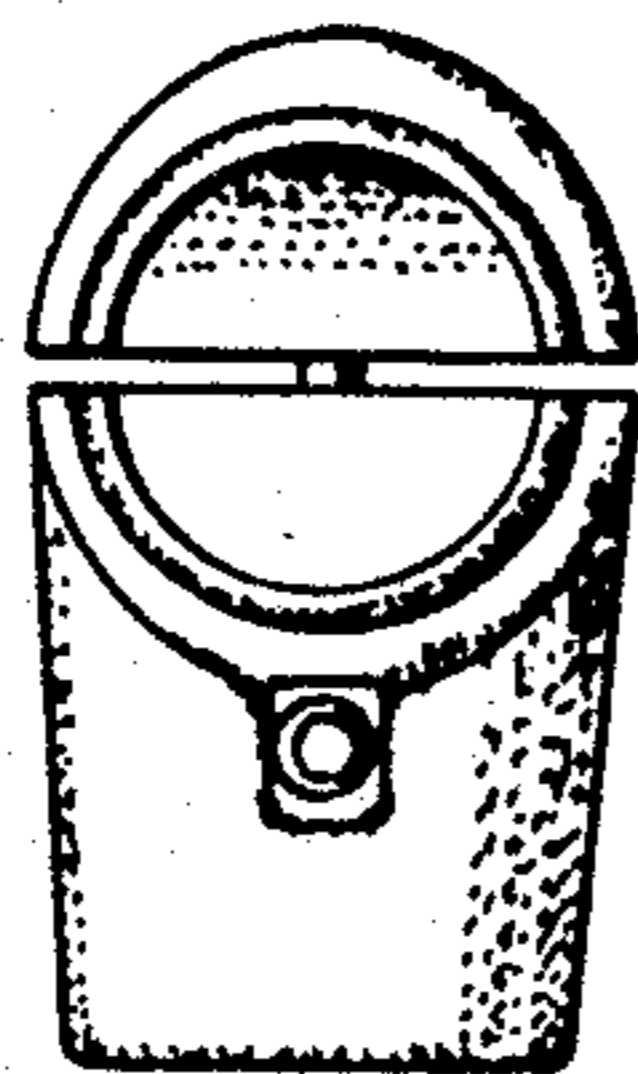


FIG. 1

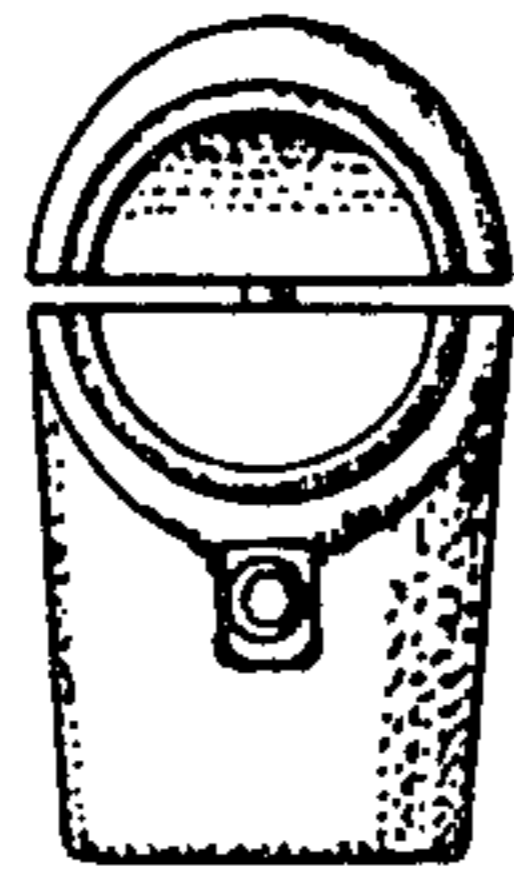


FIG. 2

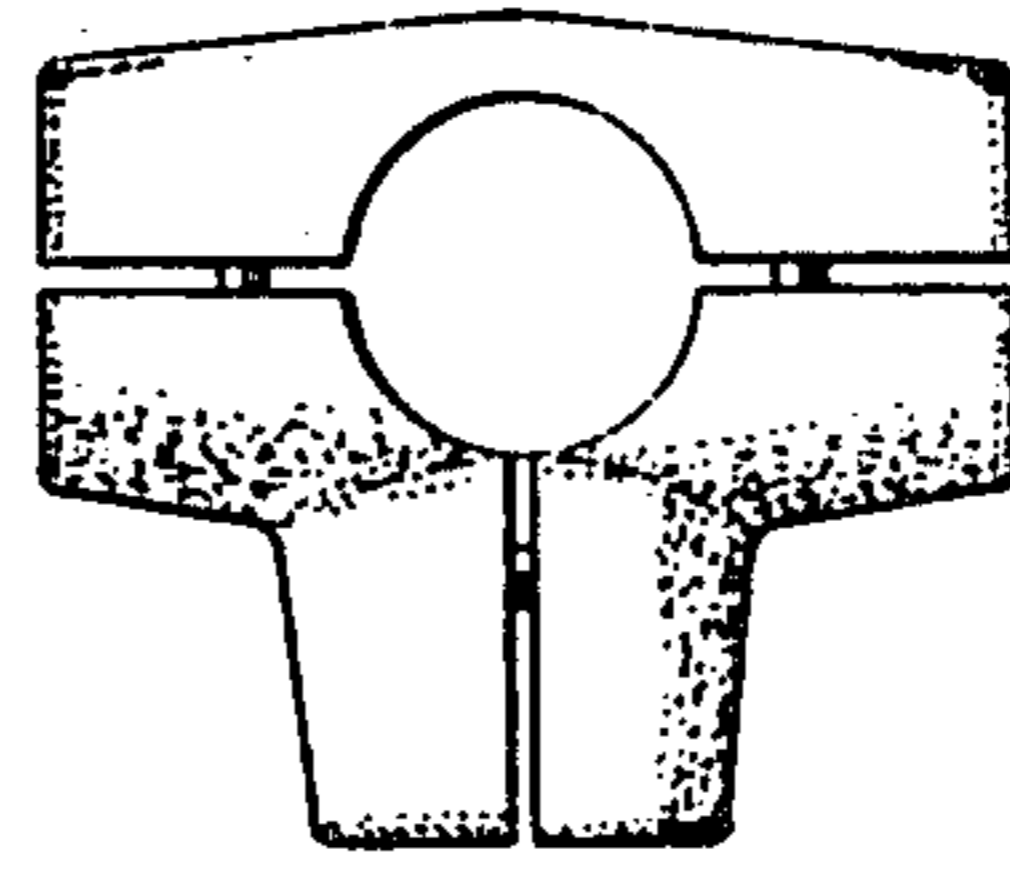


FIG. 3

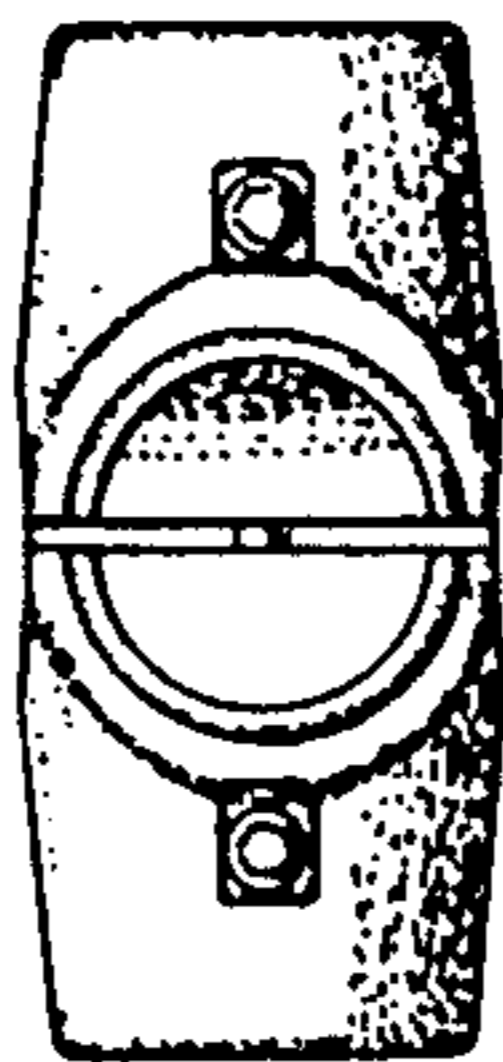


FIG. 4

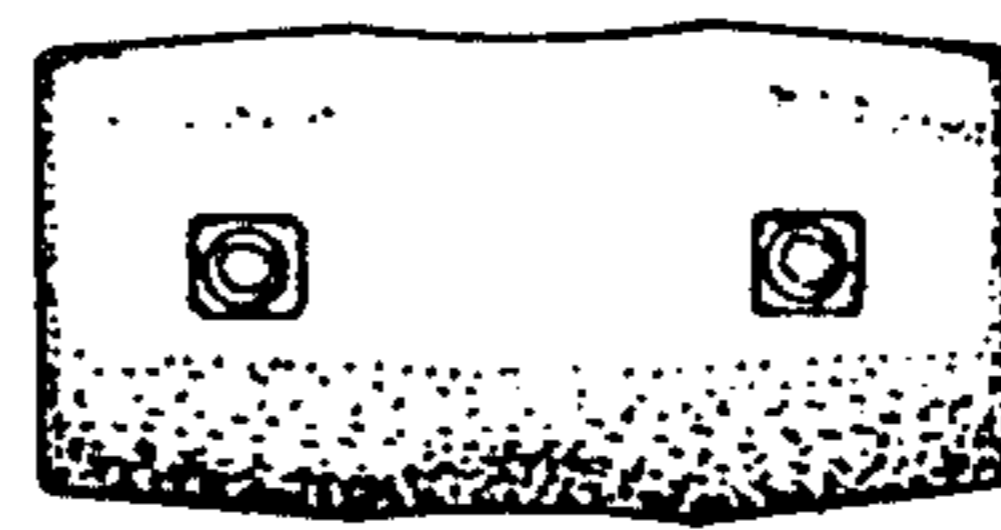


FIG. 5

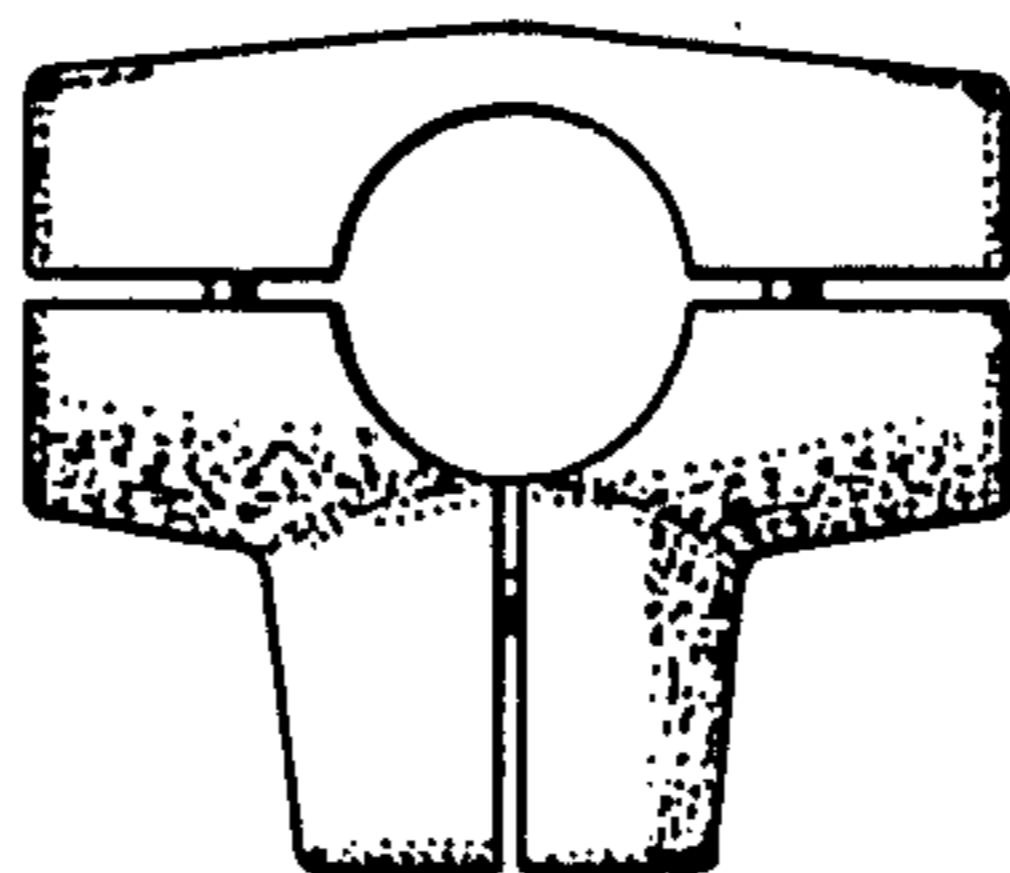


FIG. 6

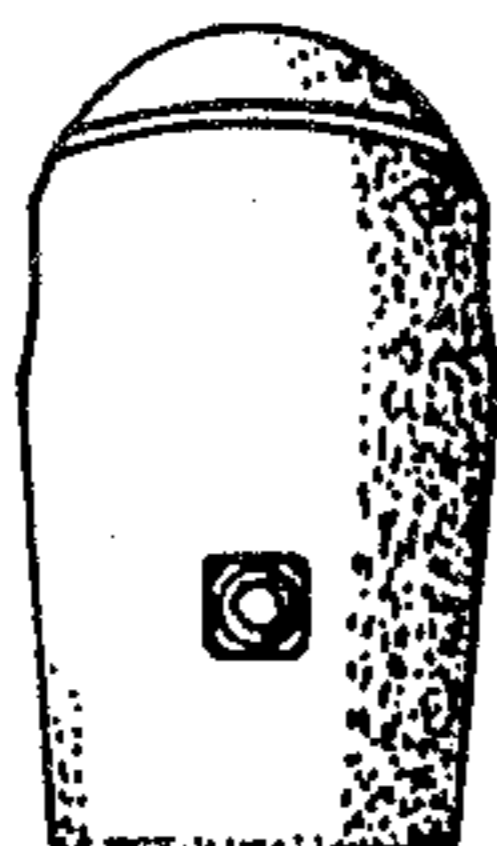


FIG. 7

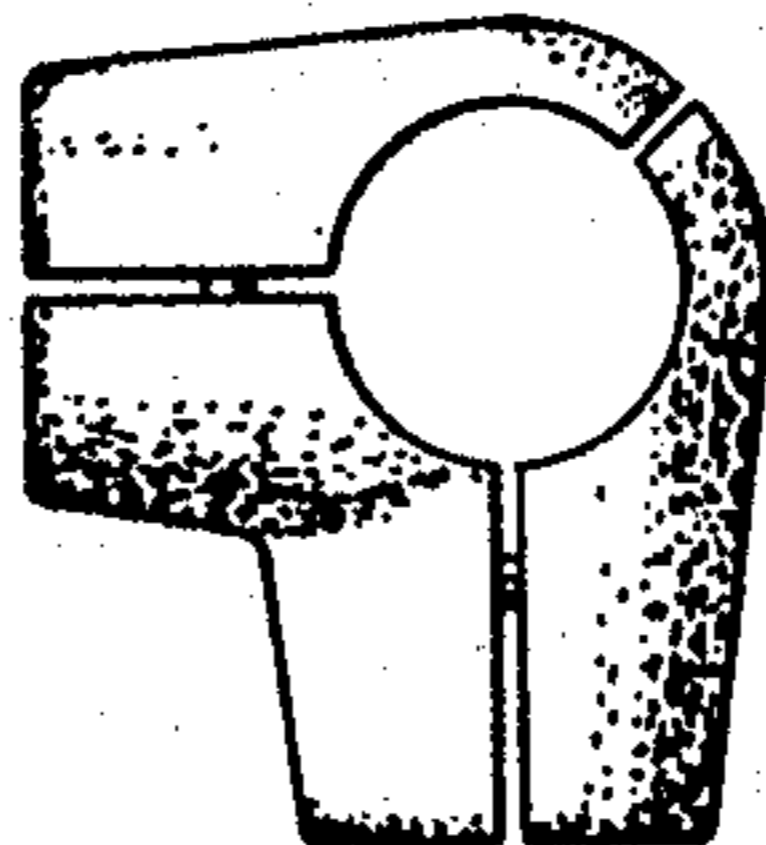


FIG. 8

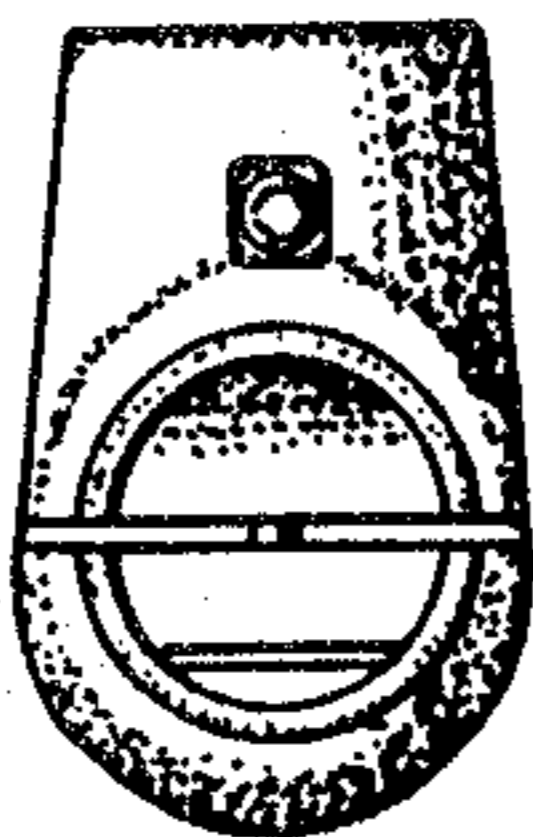


FIG. 9

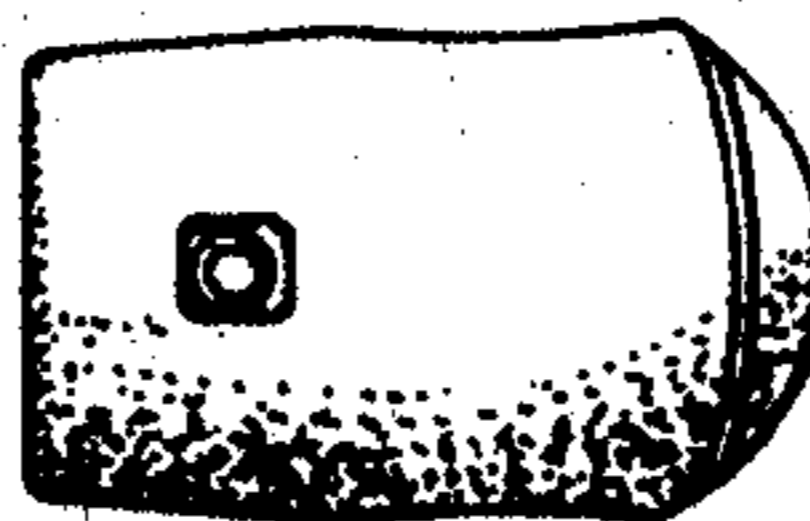


FIG. 10

