

[54] AUTOMOBILE WHEEL ROTATIONAL BLOCKING BOOT

4,164,131 8/1979 Desmond et al. 70/226
4,188,808 2/1980 Valdoz 70/18

[76] Inventor: Charles A. Winter, 3188 W. Alameda, Denver, Colo. 80219

FOREIGN PATENT DOCUMENTS

[**] Term: 14 Years

237801 8/1920 Canada 70/225
2502083 9/1982 France 70/259

[21] Appl. No.: 306,192

Primary Examiner—James M. Gandy
Assistant Examiner—Horace B. Fay
Attorney, Agent, or Firm—Klaas & Law

[22] Filed: Sep. 28, 1981

[52] U.S. Cl. D8/330; D8/349

[58] Field of Search D8/330, 349; 70/225, 70/226, 18, 15, 234, 259, 260; 248/231.5

[57] CLAIM

The ornamental design for an automobile wheel rotational blocking boot, as shown and described.

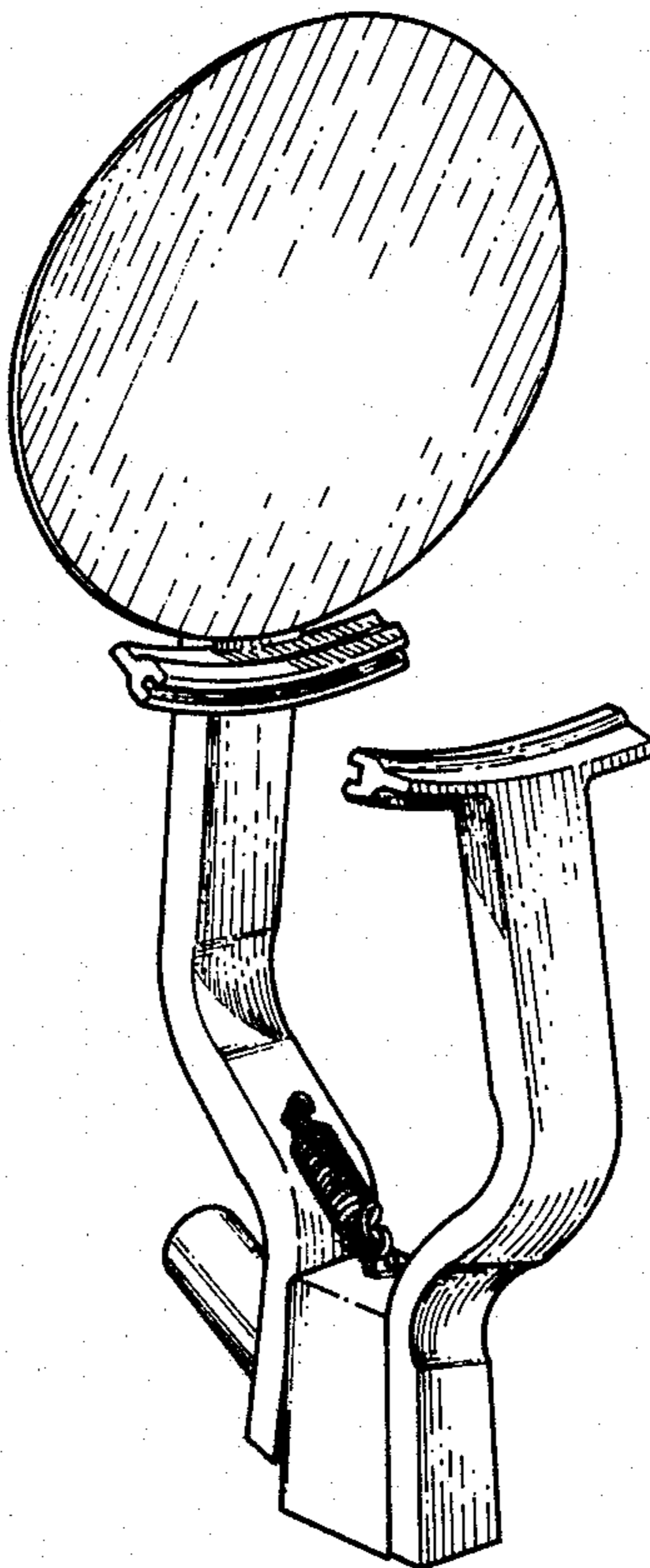
[56] References Cited

U.S. PATENT DOCUMENTS

D. 241,505	9/1976	Henry	D8/349
745,094	11/1903	Cummons	248/231.5
805,207	11/1905	Kaiser	70/226
1,443,009	1/1923	Davis	70/226
1,488,893	4/1924	Plouffe	70/226
1,566,405	12/1925	Jones	70/226
2,844,954	7/1958	Marugg	70/225
3,695,071	10/1972	West	70/225
4,031,726	6/1977	DeJager	70/226

DESCRIPTION

FIG. 1 is a front elevational view of an automobile wheel rotational blocking boot showing my new design; FIG. 2 is a perspective view thereof, as viewed from the outward side; FIG. 3 is a perspective view thereof as viewed from the inward side; FIG. 4 is a perspective view thereof, as viewed from the top; and FIG. 5 is a bottom plan view thereof.



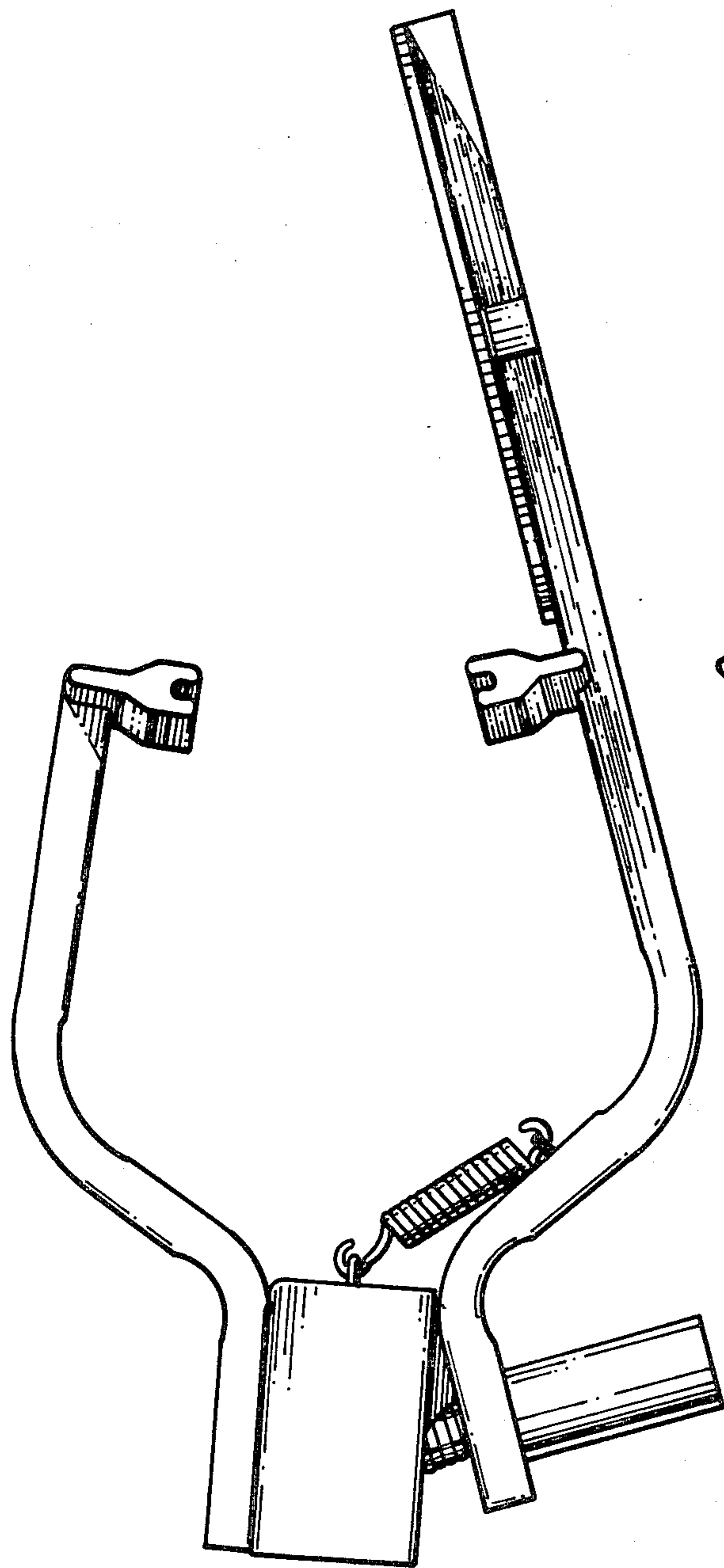


FIG. 1

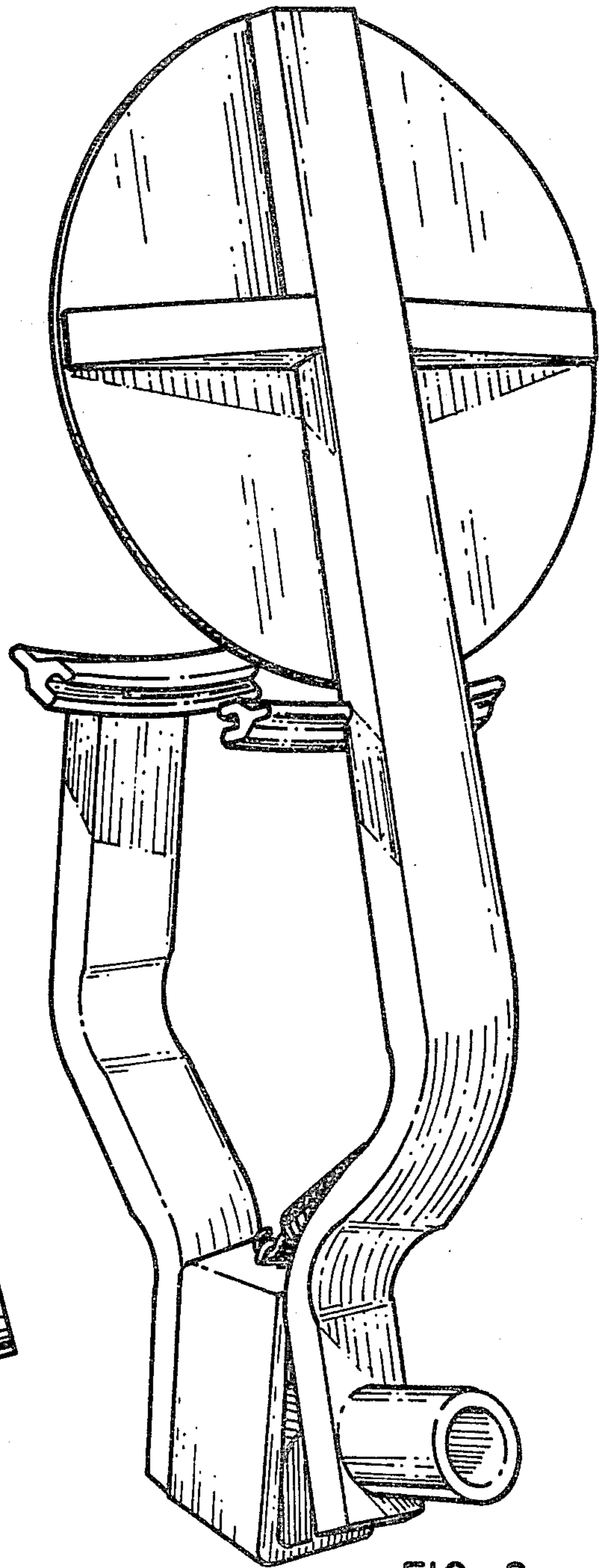


FIG. 2

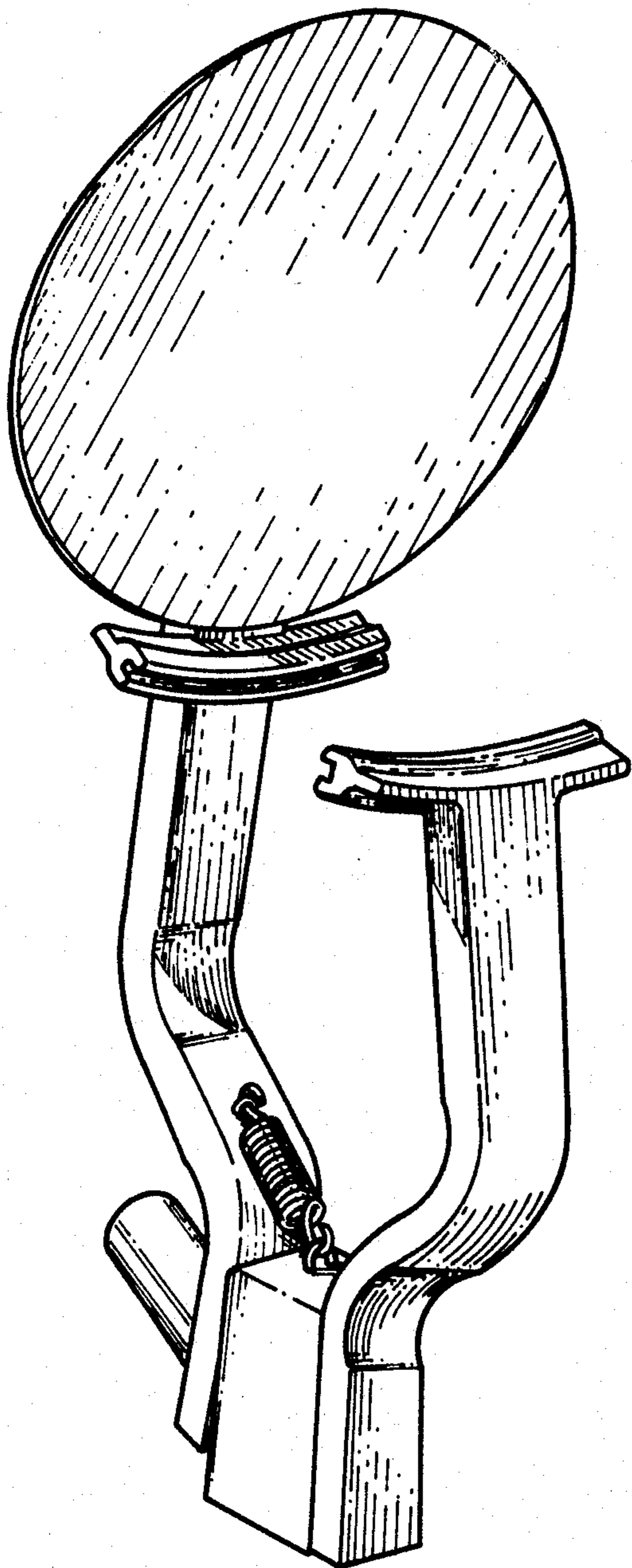


FIG. 3

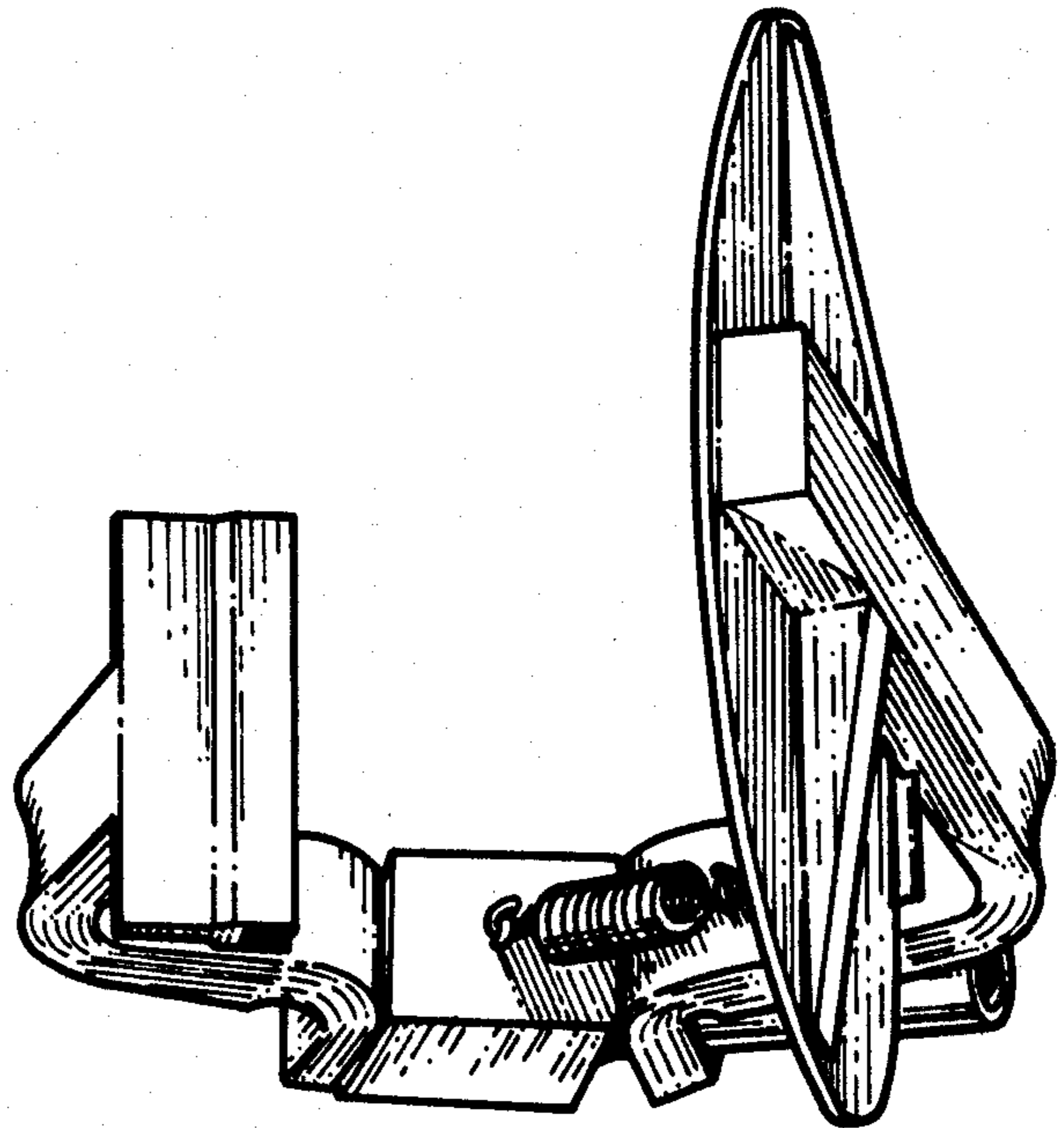


FIG. 4

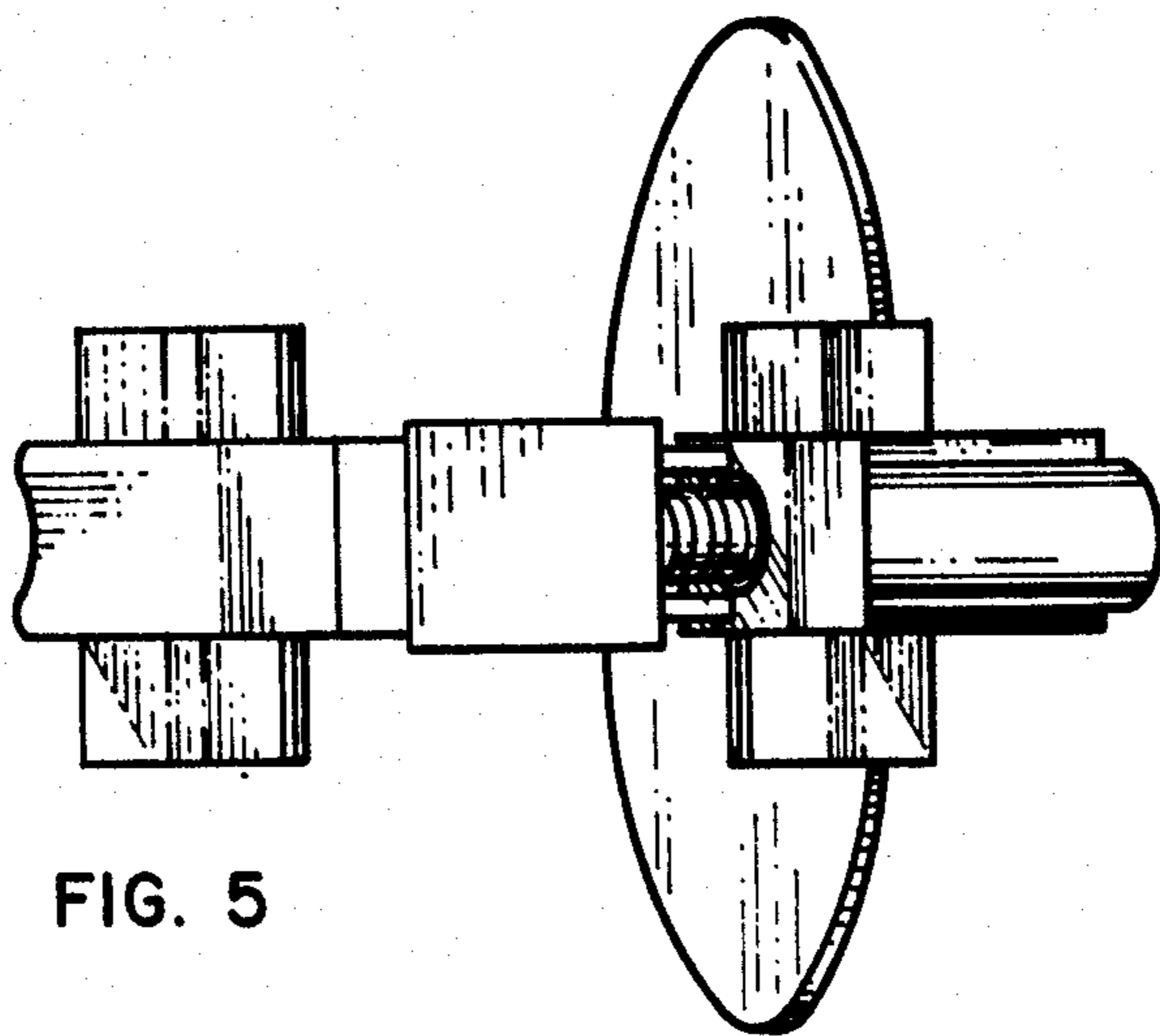


FIG. 5