

[54] HAND SEEDER

3,979,071 9/1976 Biggs 239/653

[75] Inventor: Thomas E. Brown, Mechanicsburg, Pa.

FOREIGN PATENT DOCUMENTS

[73] Assignee: Wilkinson Sword, Inc., Atlanta, Ga.

275812 3/1913 Fed. Rep. of Germany 239/686

387546 1/1924 Fed. Rep. of Germany 239/686

[**] Term: 14 Years

958297 9/1949 France 239/686

47464 12/1939 Netherlands 239/686

8169 of 1887 United Kingdom 239/653

[21] Appl. No.: 440,644

Primary Examiner—Wallace R. Burke

Assistant Examiner—Horace B. Fay

[22] Filed: Nov. 10, 1982

Attorney, Agent, or Firm—John K. Williamson; John L.

[52] U.S. Cl. D8/2

LaPierre; James C. Valentine

[58] Field of Search D8/2; D7/337, 338, 339; 111/11; 239/518, 653, 522, 523, 686

[57] CLAIM

[56] References Cited

The ornamental design for a hand seeder, as shown and described.

U.S. PATENT DOCUMENTS

DESCRIPTION

- D. 197,077 12/1963 Harris D8/2
- D. 265,373 7/1982 Christensen D8/2
- 277,861 5/1883 Yoder 239/653
- 588,367 8/1897 Taylor 239/653
- 674,187 5/1901 Simmons 239/686
- 686,185 11/1901 Abbott 239/686
- 2,514,962 7/1950 McElhatton 239/686
- 2,691,530 10/1954 Krueger 239/686
- 2,992,008 7/1961 Speucher 239/686

FIG. 1 is a left side elevational view of a hand seeder showing my design;
 FIG. 2 is a right side elevational view thereof;
 FIG. 3 is a front end view thereof;
 FIG. 4 is a rear end view thereof;
 FIG. 5 is a bottom plan view; and
 FIG. 6 is a top plan view thereof.

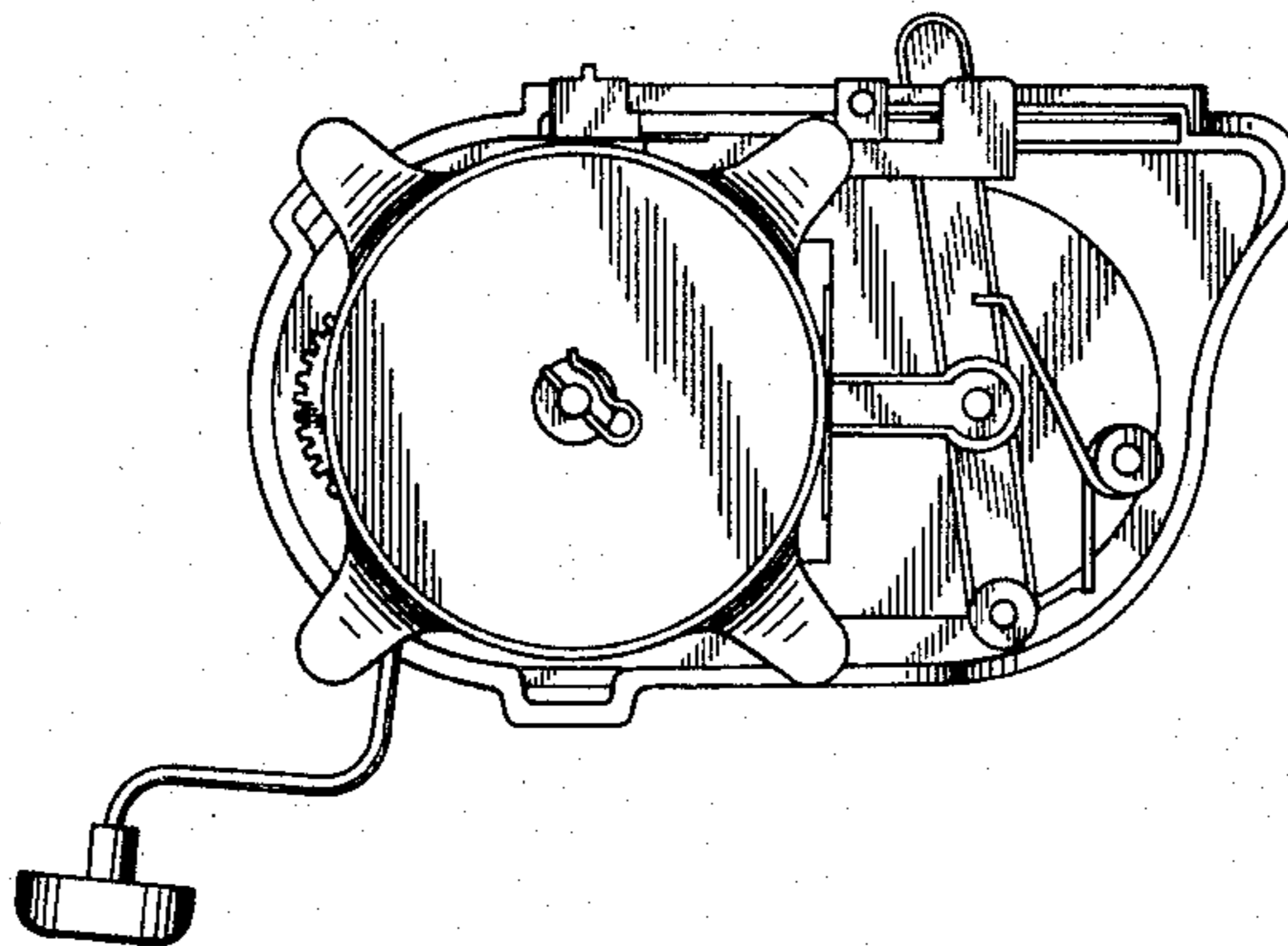
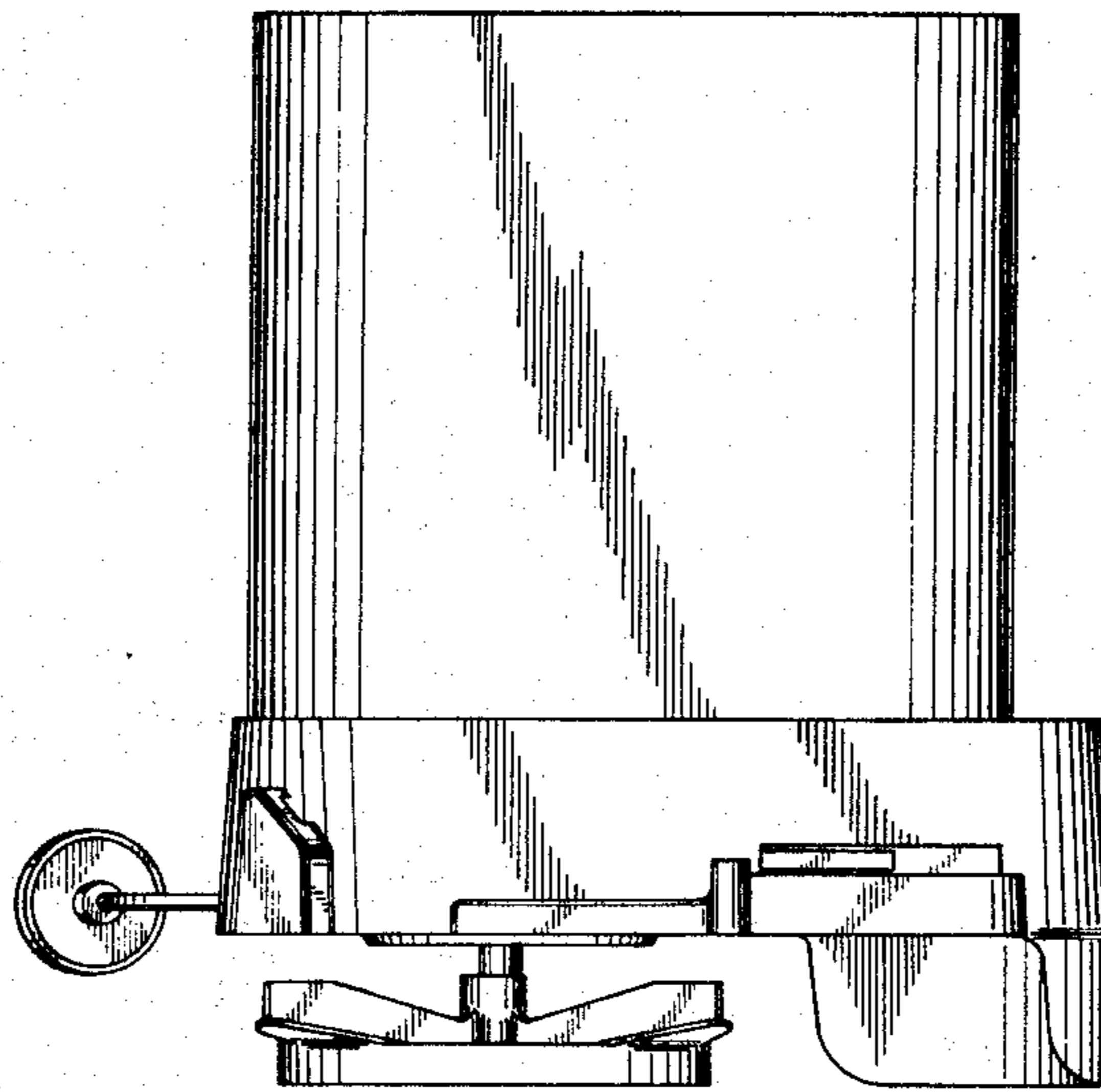


FIG. 1

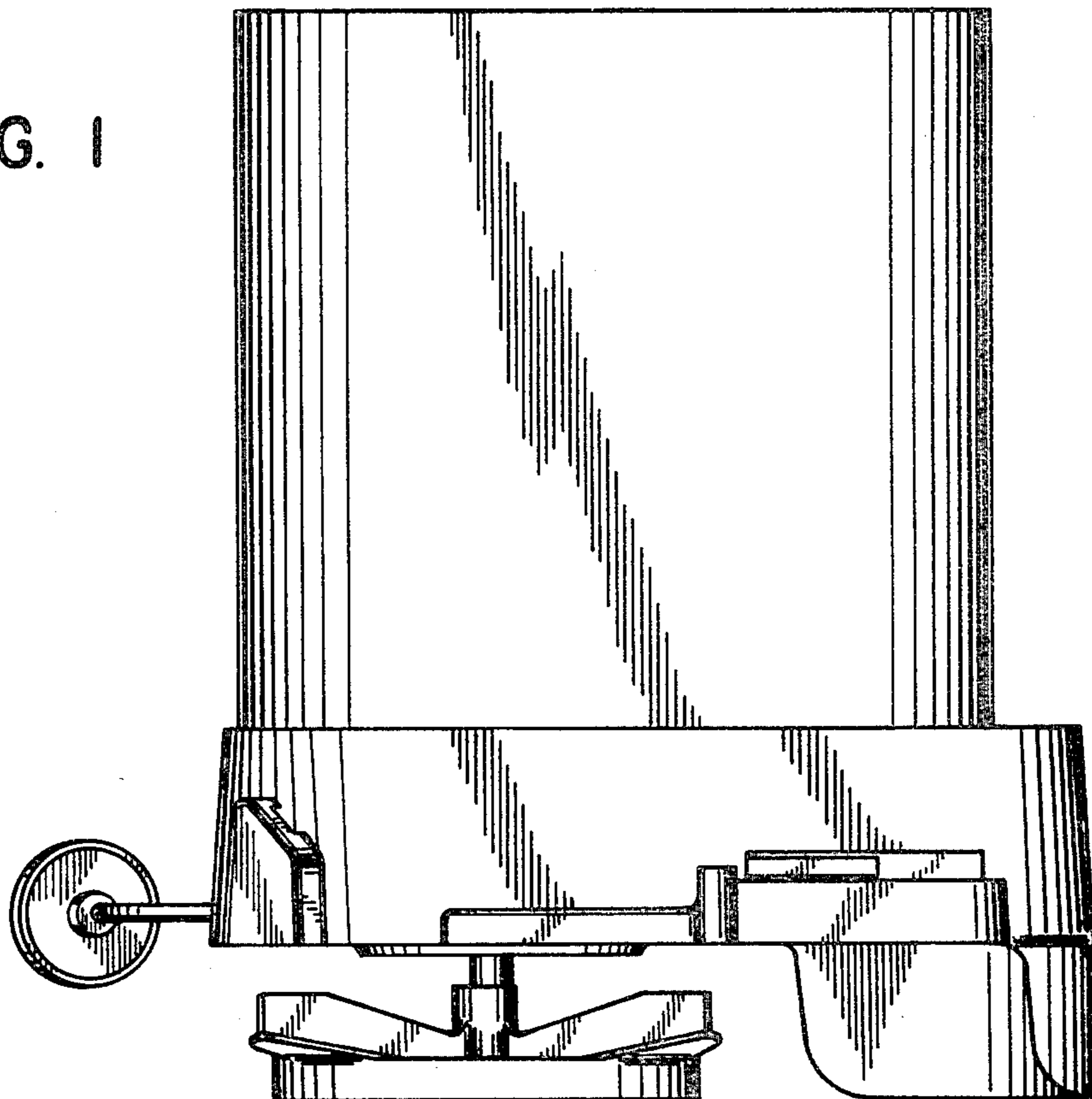


FIG. 5

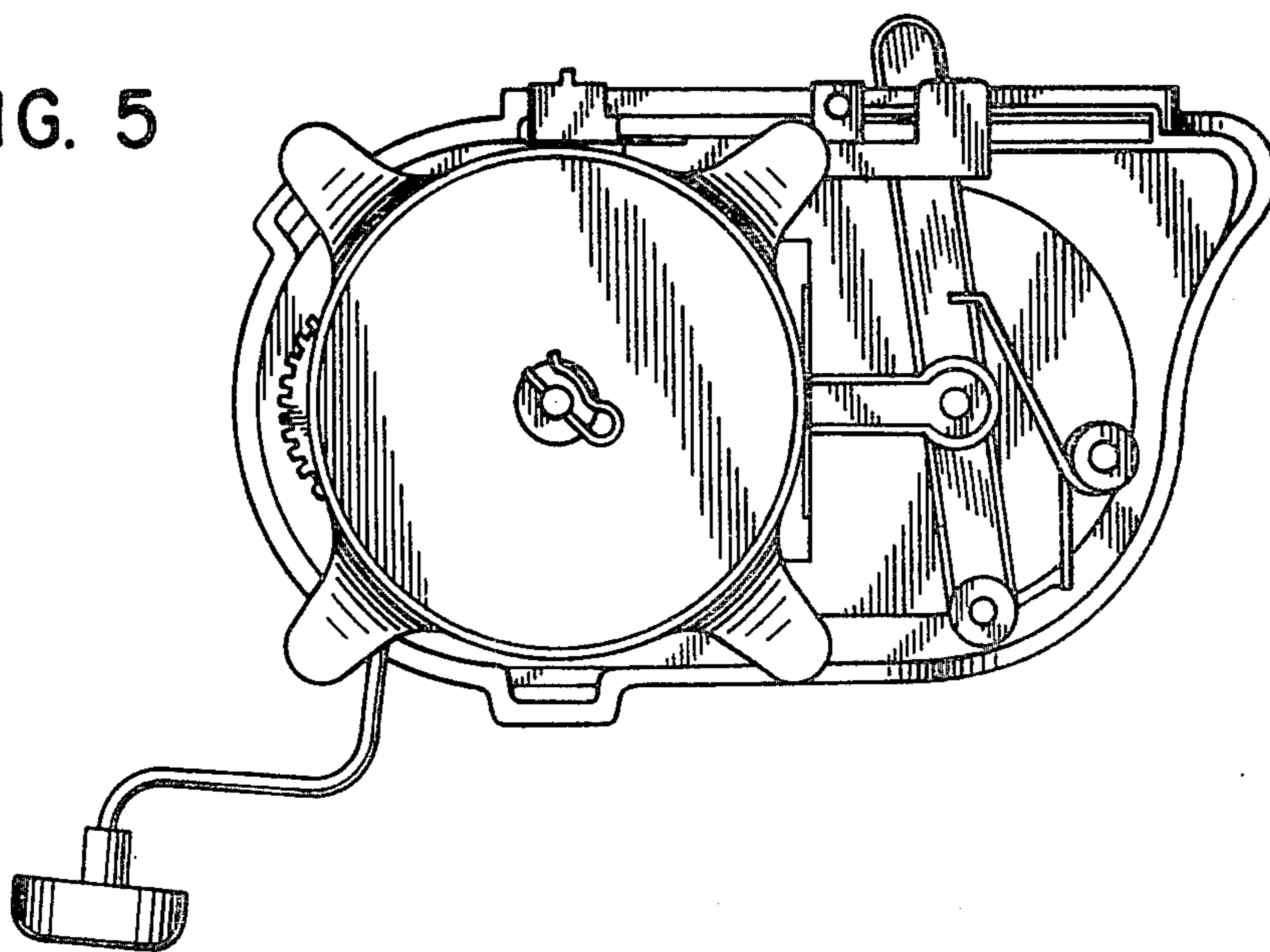


FIG. 2

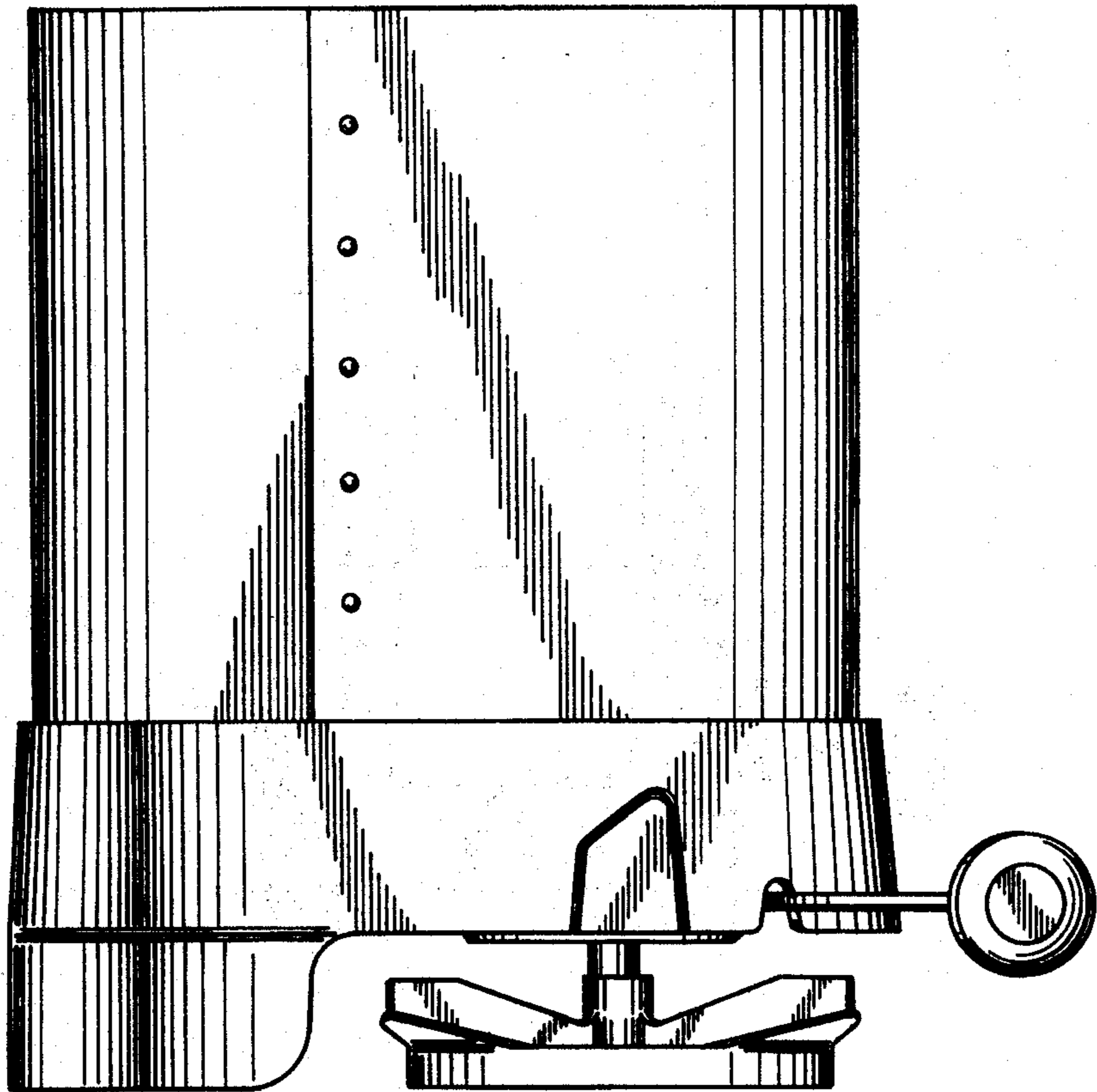


FIG. 6

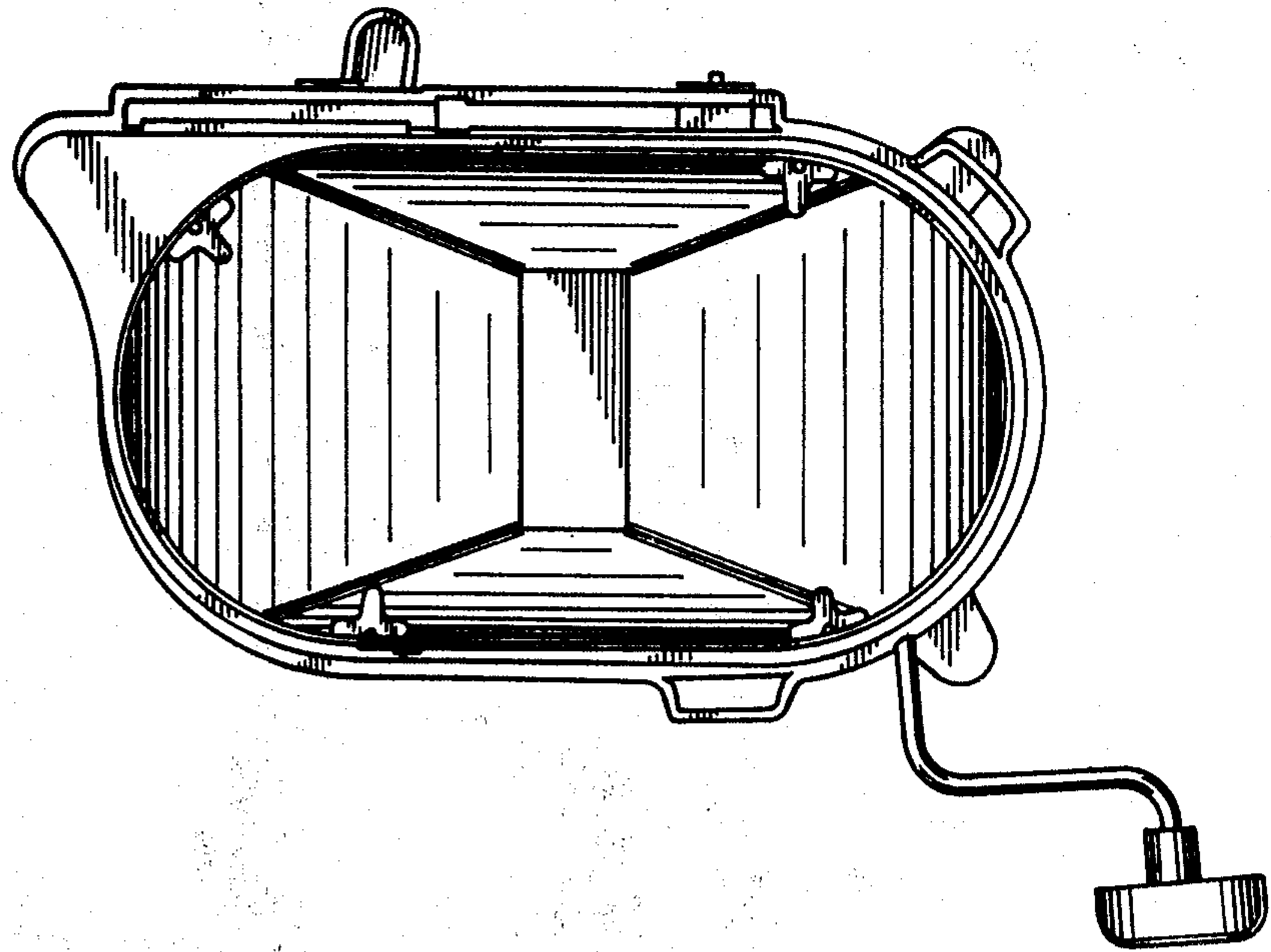


FIG. 3

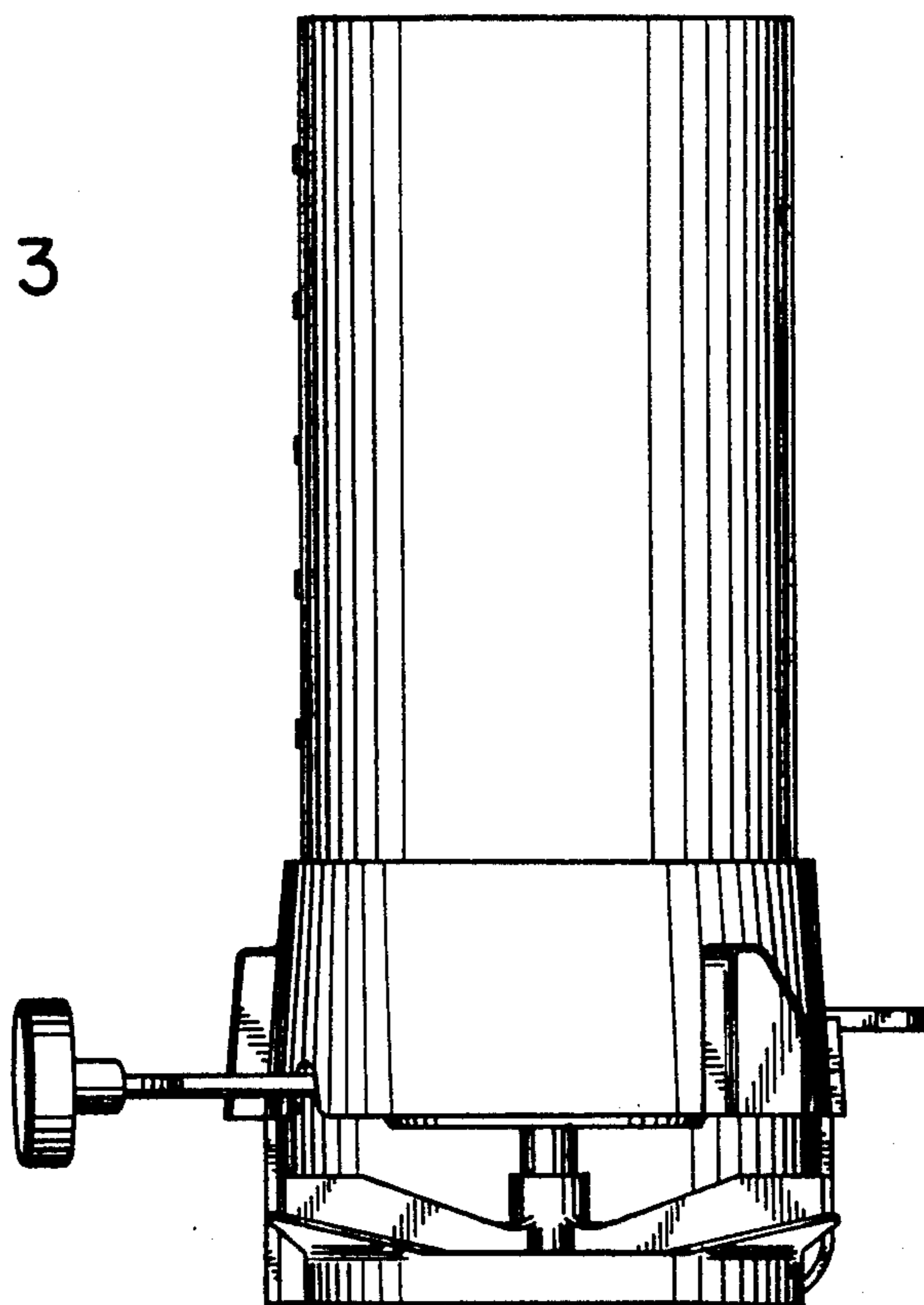


FIG. 4

