

[54] MEASURING RECEPTACLE WITH CUP WALL REMOVABLE FROM HANDLE ATTACHED BOTTOM

[75] Inventor: Harry R. Greene, Normandy Park, Wash.

[73] Assignee: Shirley J. P. Kelson, Seattle, Wash.

[**] Term: 14 Years

[21] Appl. No.: 356,844

[22] Filed: Mar. 10, 1982

[52] U.S. Cl. D7/50

[58] Field of Search D7/50, 104; 73/426, 73/429

772,674	10/1904	Rommer	73/426
897,458	9/1908	Dickeson	73/429
2,230,479	2/1941	Becher	73/429
2,399,813	5/1946	Lucas	73/429
2,420,505	5/1947	Stith	73/429
4,154,109	5/1979	Kelson	73/429

FOREIGN PATENT DOCUMENTS

711639 10/1941 Fed. Rep. of Germany D7/50 X

Primary Examiner—Winifred E. Herrmann
Attorney, Agent, or Firm—Graybeal & Cullom

[57] CLAIM

The ornamental design for a measuring receptacle with cup wall removable from handle attached bottom, substantially as shown and described.

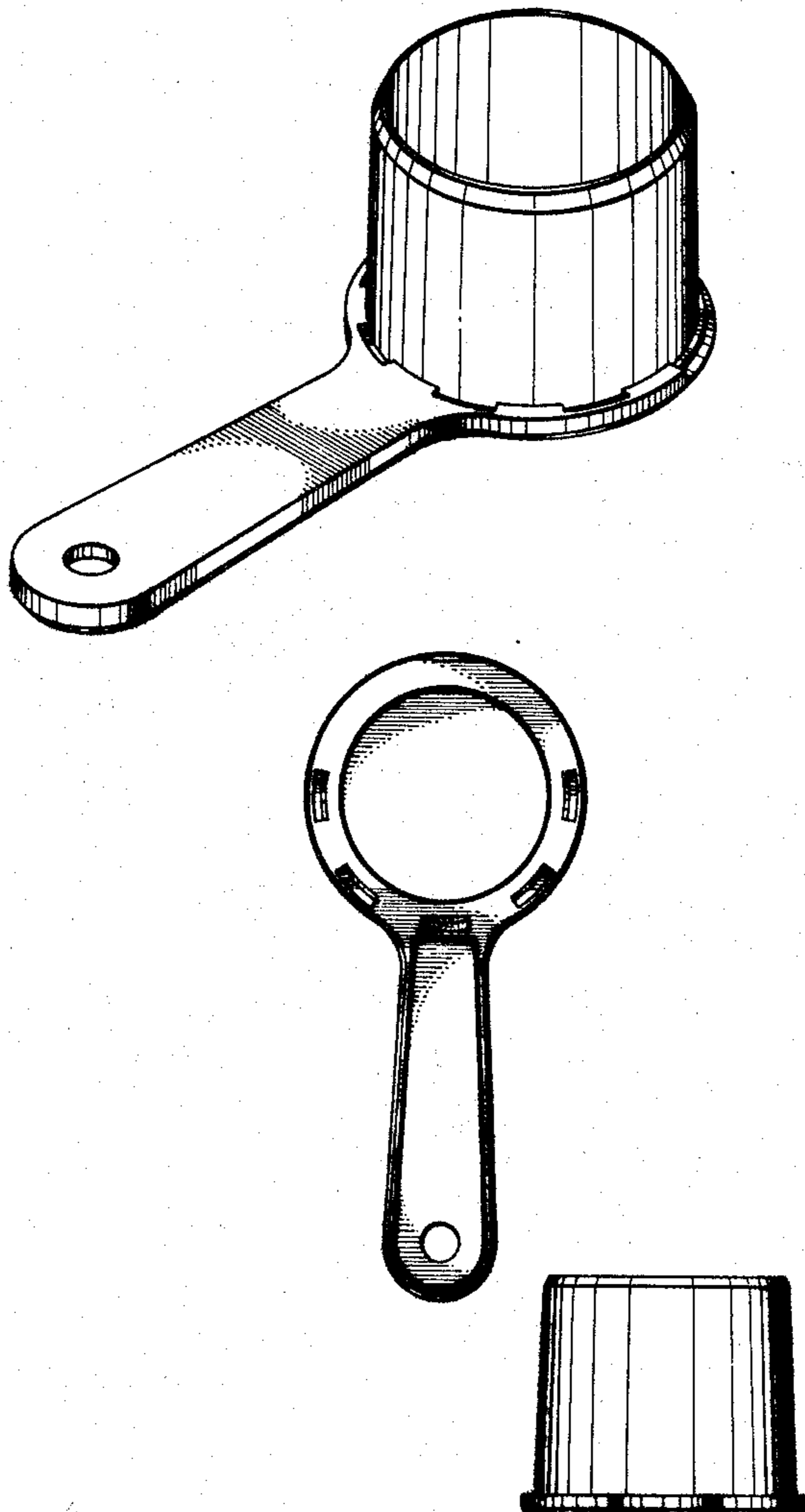
DESCRIPTION

FIG. 1 is a perspective view of a measuring receptacle with cup wall removable from handle attached bottom showing my new design;
FIG. 2 is a top plan view thereof;
FIG. 3 is a bottom view thereof;
FIG. 4 is a side elevational view thereof; and
FIG. 5 is an end view thereof.
The side view not shown is the mirror image of the side view shown in FIG. 4.

[56] References Cited

U.S. PATENT DOCUMENTS

93,231	8/1869	Rosbeck	73/429
D. 259,462	6/1981	Daenen et al.	D7/50
D. 268,886	5/1983	Kelson	D7/50
D. 269,239	6/1983	Kelson	D7/50
D. 269,241	6/1983	Kelson	D7/50
416,378	12/1889	Sampson	73/429
659,146	10/1900	Hayden	73/429
686,807	11/1901	Fry	73/429



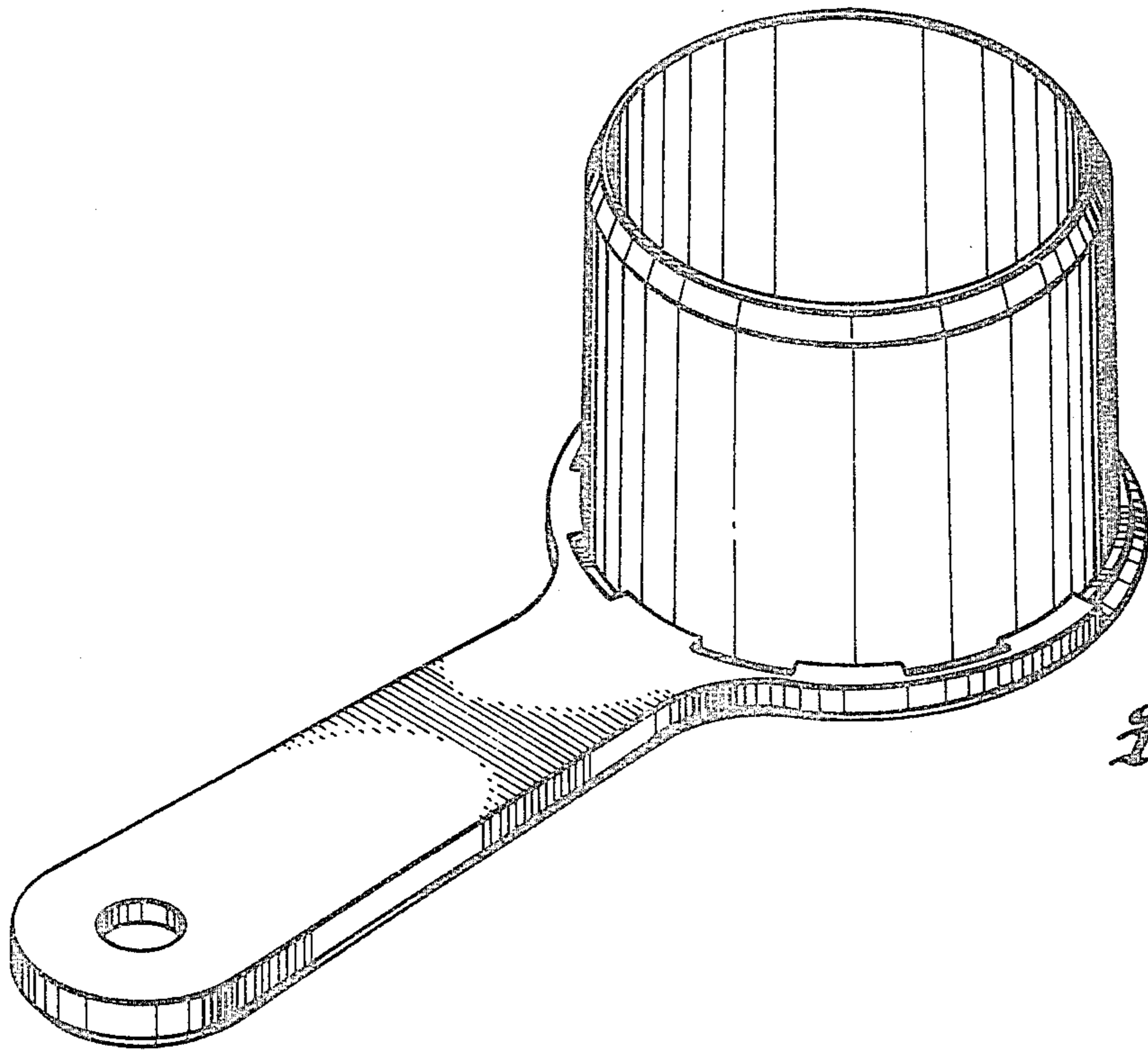


Fig. 1.

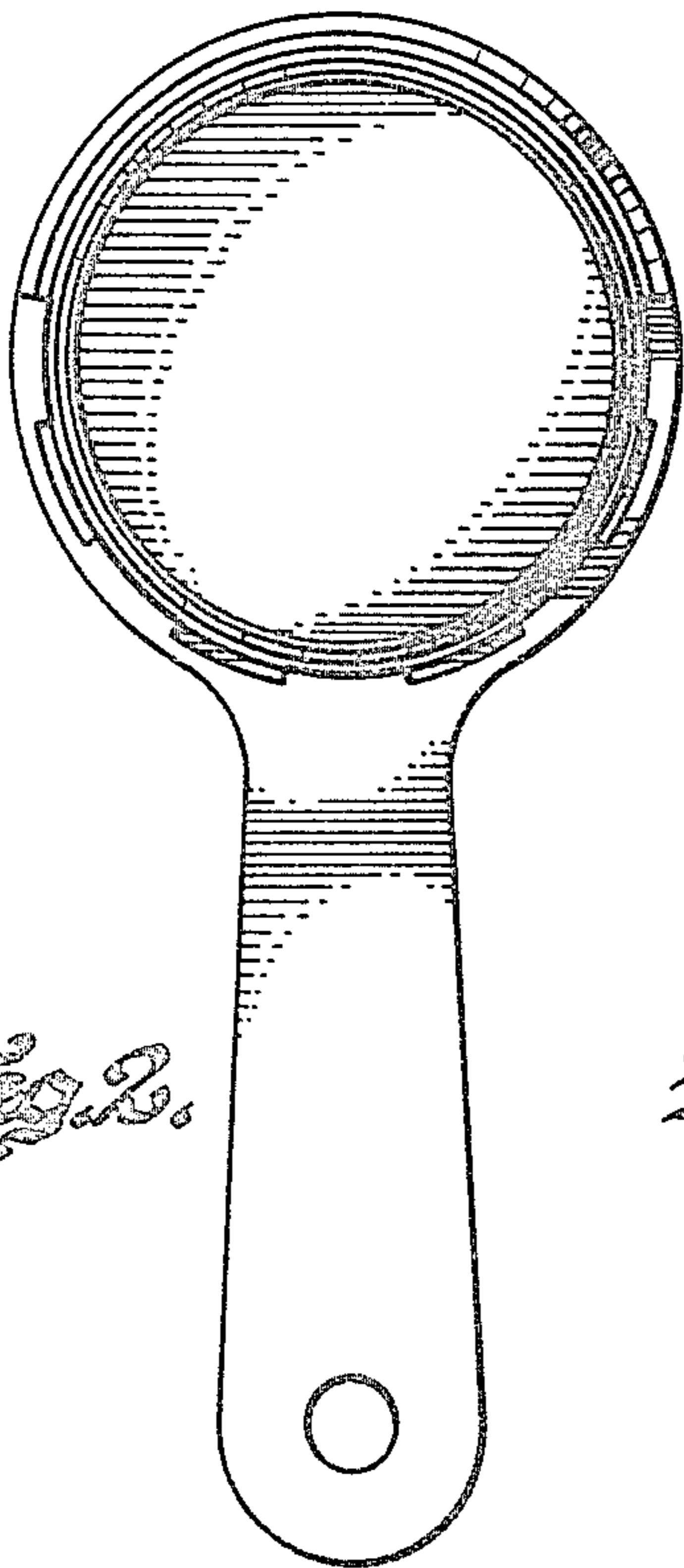


Fig. 2.

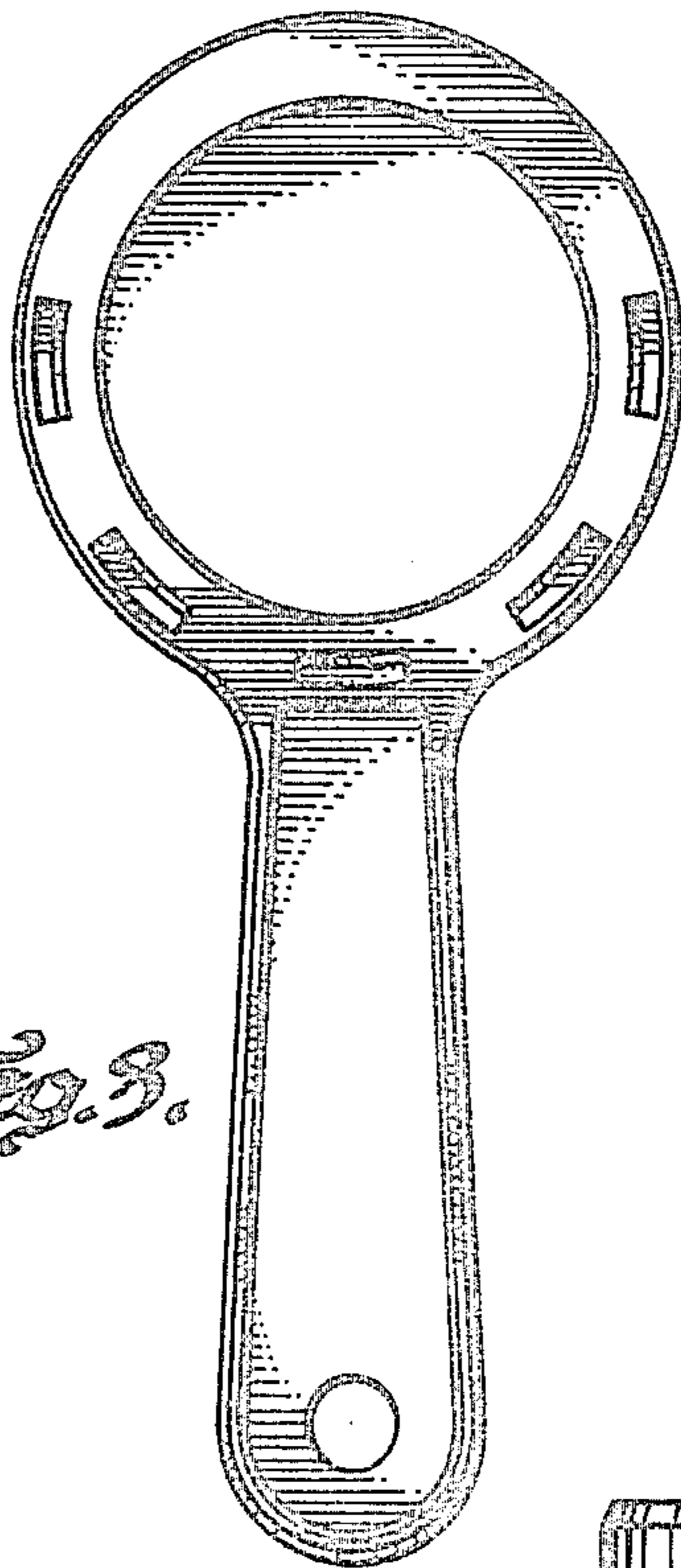


Fig. 3.

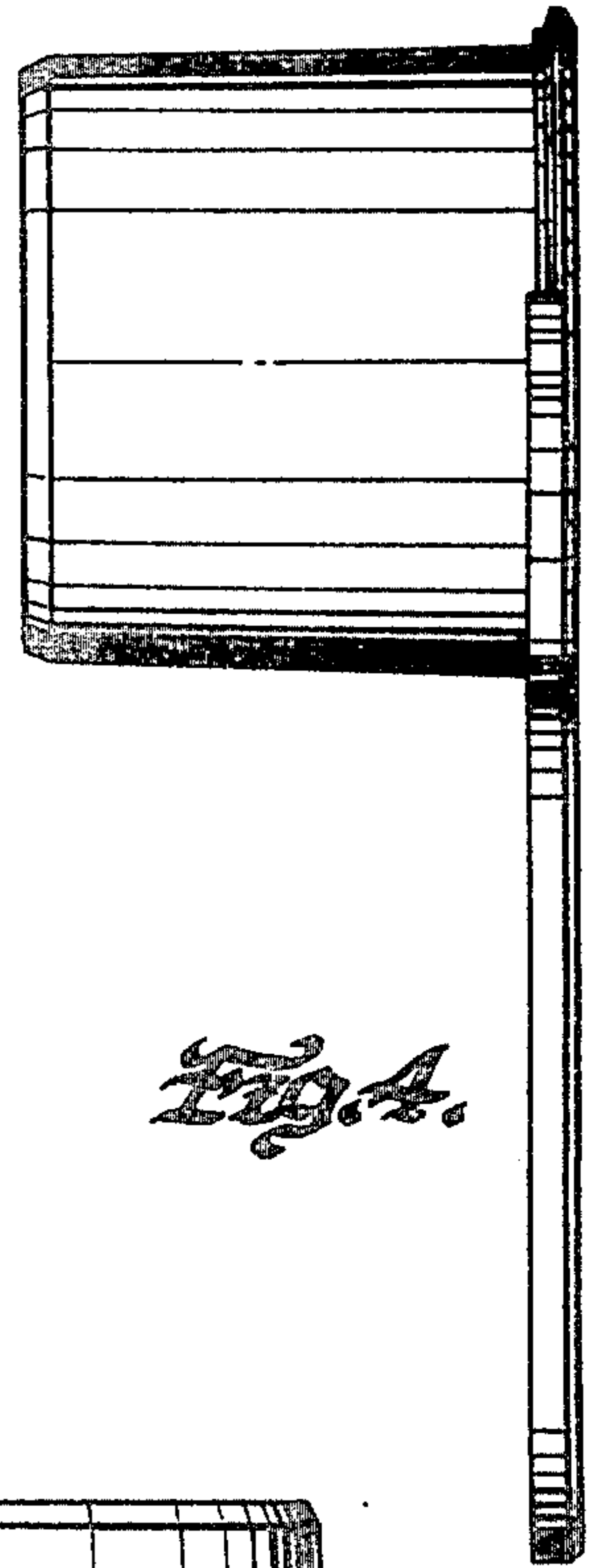


Fig. 4.

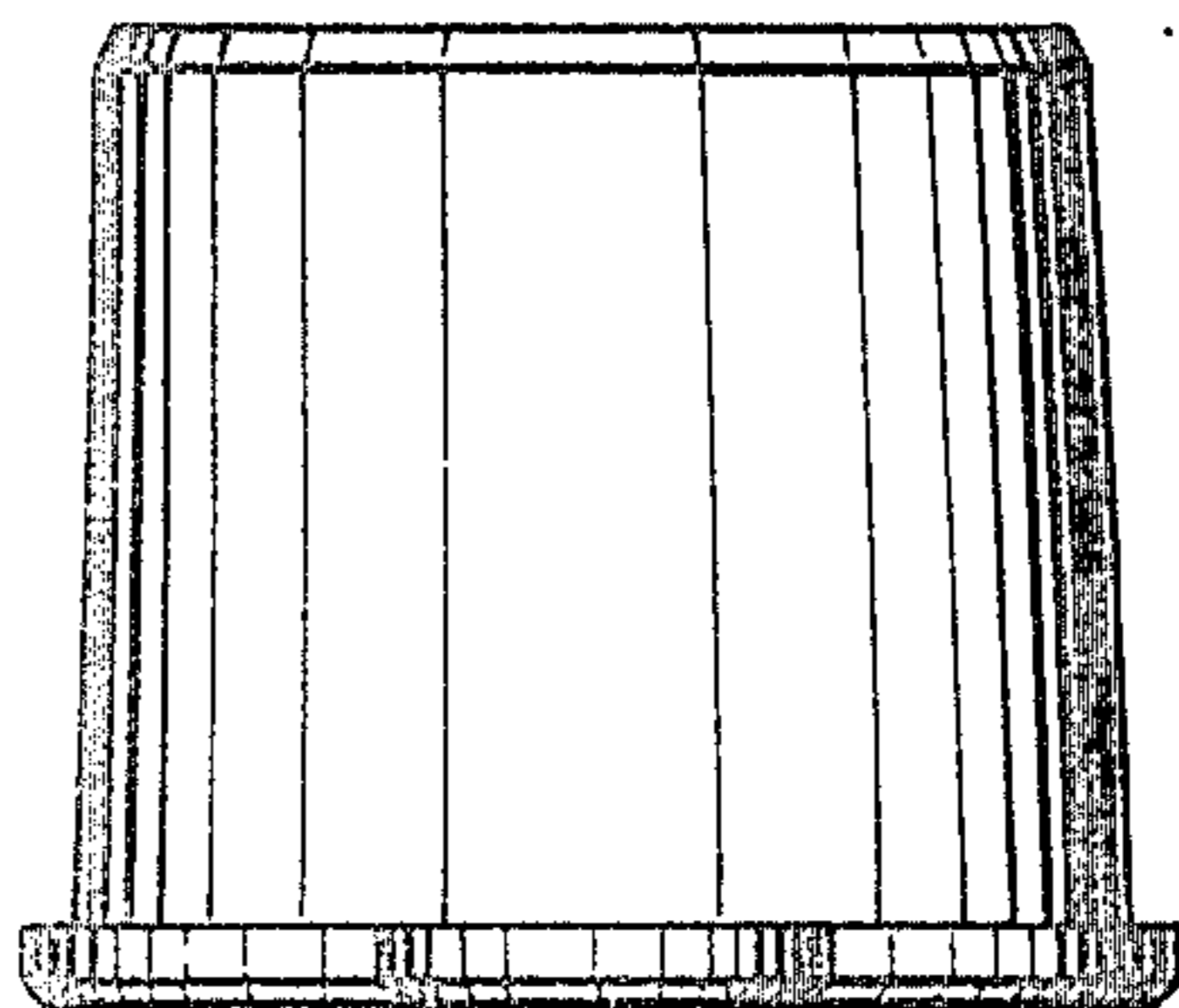


Fig. 5.