

[54] CRIB FOOTBOARD

[75] Inventors: Merlin A. Brunner, New London; Harvey J. Draheim, Weyauwega; Michael J. Schaffer, New London, all of Wis.

[73] Assignee: Simmons Universal Corporation, New York, N.Y.

[**] Term: 14 Years

[21] Appl. No.: 319,505

[22] Filed: Nov. 9, 1981

[52] U.S. Cl. D6/505

[58] Field of Search D6/13, 14, 15, 16, 79-83, D6/198

[56] References Cited

U.S. PATENT DOCUMENTS

- D. 164,679 10/1951 Feldman D6/16
- D. 164,681 10/1951 Feldman D6/16
- D. 190,950 7/1961 Bukolt, Jr. D6/16

OTHER PUBLICATIONS

Baby Line Catalog, ©1972, p. 3, Item No. 6072.

Primary Examiner—Bruce W. Dunkins

[57] CLAIM

The ornamental design for a crib footboard, as shown and described.

DESCRIPTION

FIG. 1 is a front view of the crib footboard of the present invention;

FIG. 2 is a side view thereof;

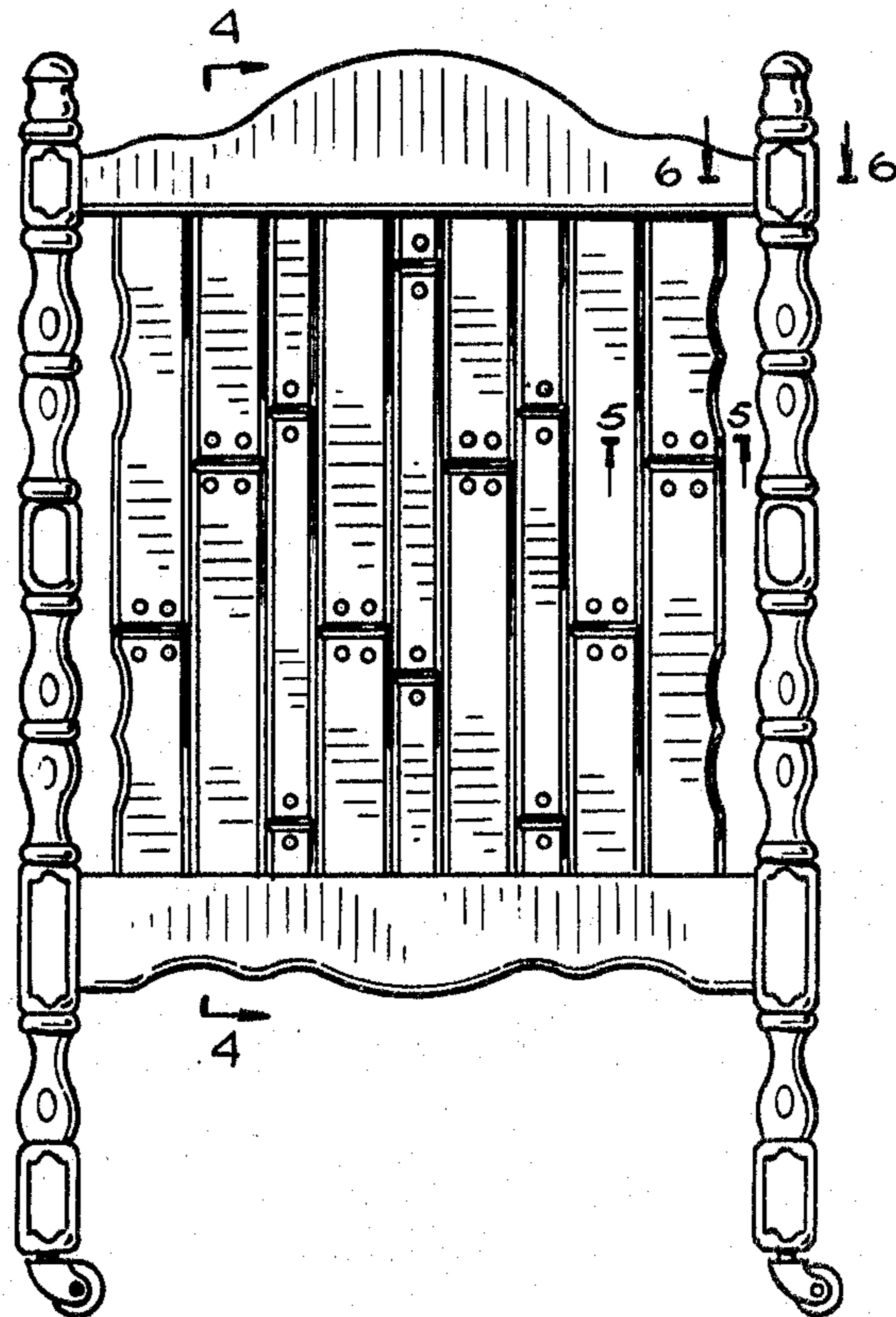
FIG. 3 is a top view thereof;

FIG. 4 is a sectional view taken along line 4—4 of FIG. 1;

FIG. 5 is a sectional view taken along line 5—5 of FIG. 1; and

FIG. 6 is a sectional view taken along line 6—6 of FIG. 1.

The rear surface of the crib footboard is conventional in appearance.



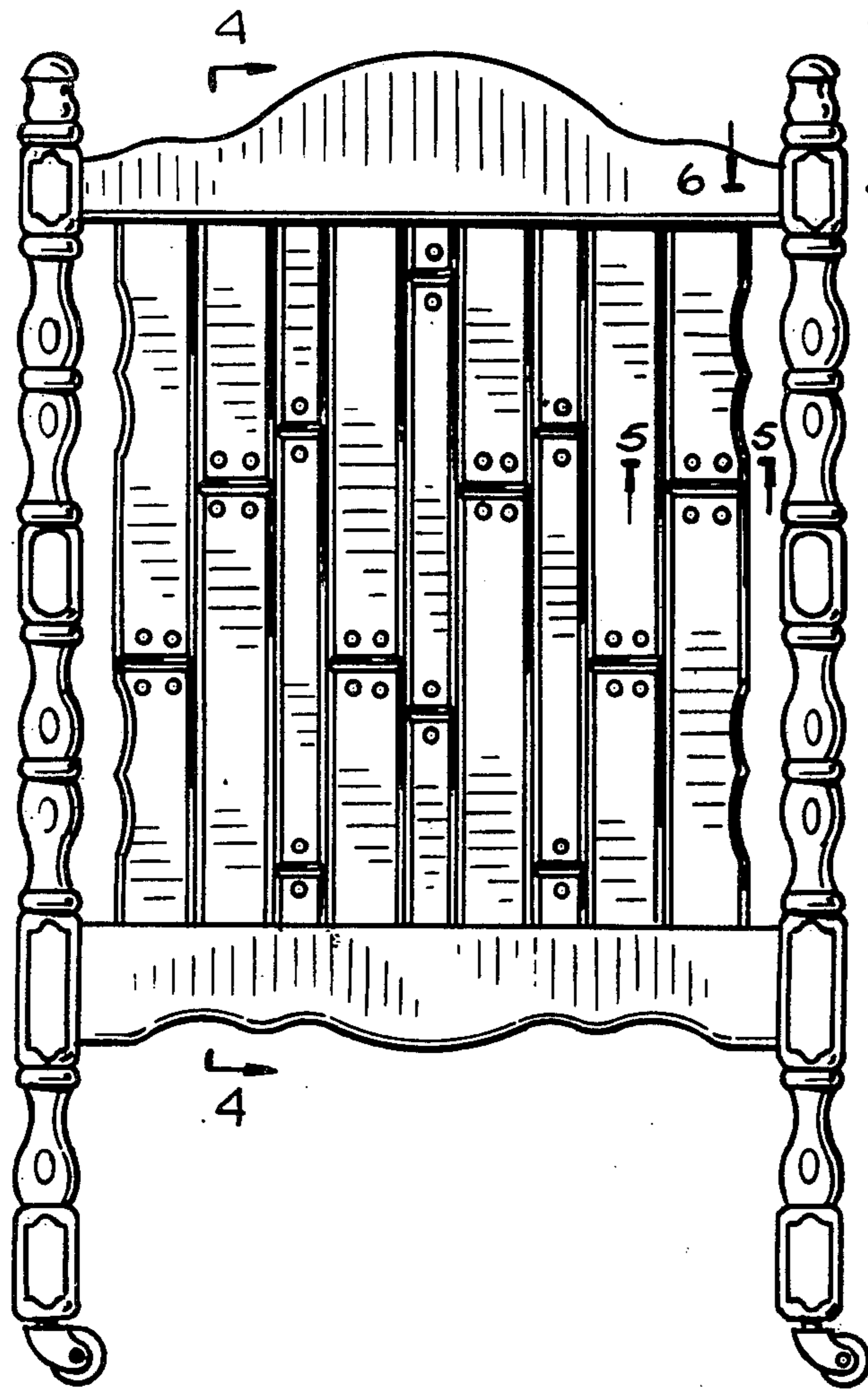


Fig. 1.

Fig. 2.

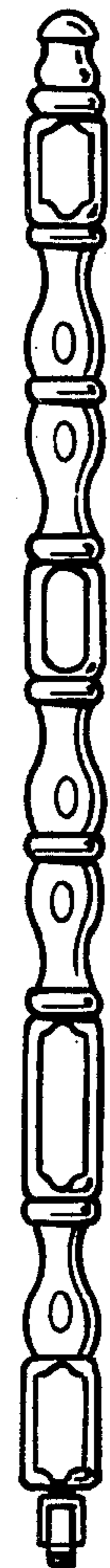


Fig. 5.

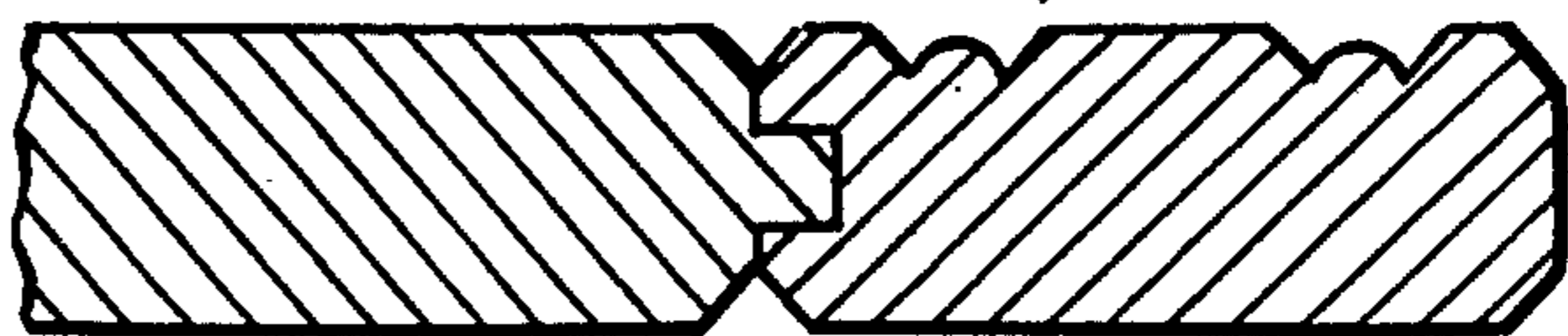


Fig. 6.

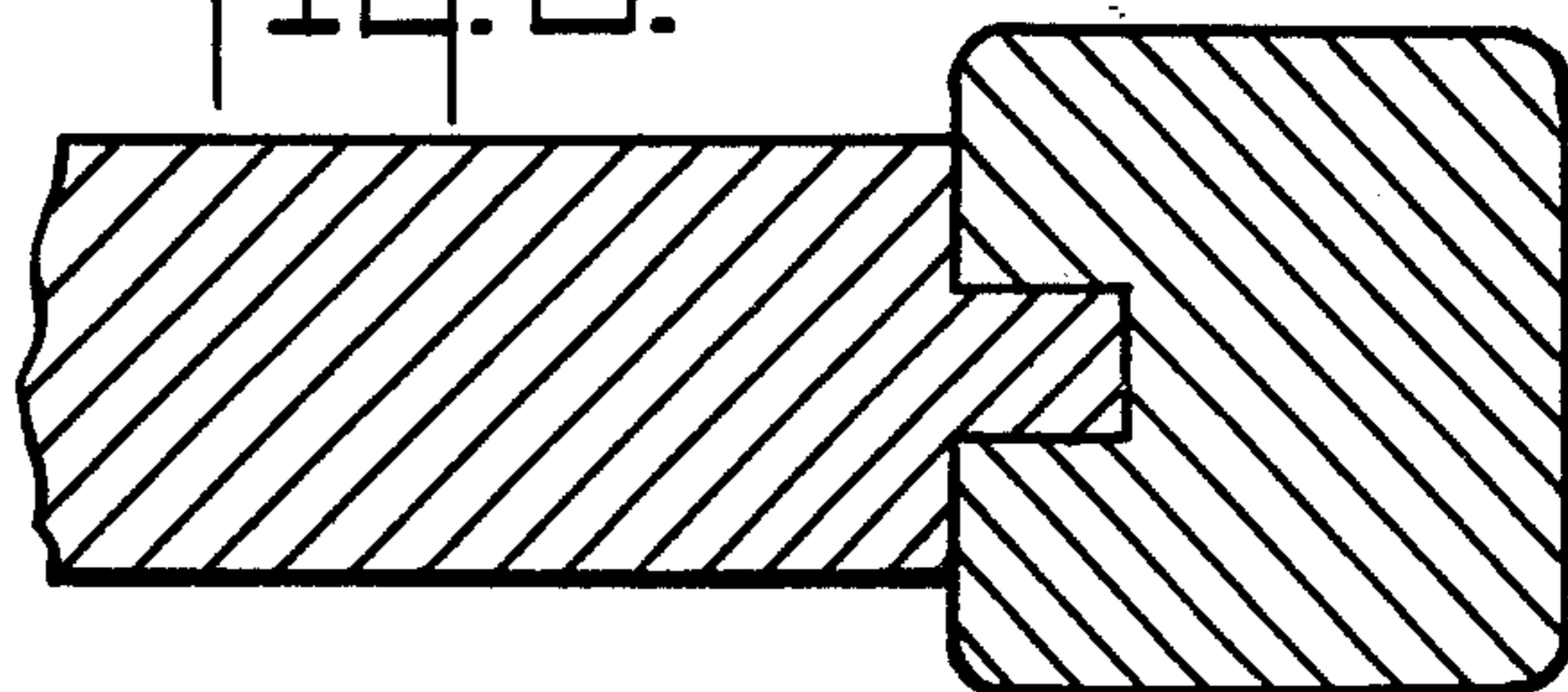


Fig. 3.



Fig. 4.

