

**United States Patent** [19]  
**Flum**

[11] **Patent Number: Des. 275,058**

[45] **Date of Patent: \*\* Aug. 14, 1984**

[54] **PRODUCT DISPLAY RACK**

[75] **Inventor: Paul Flum, St. Louis, Mo.**

[73] **Assignee: Paul Flum Ideas, Inc., St. Louis, Mo.**

[\*\*] **Term: 14 Years**

[21] **Appl. No.: 352,940**

[22] **Filed: Feb. 26, 1982**

[52] **U.S. Cl. .... D6/467; D6/473**

[58] **Field of Search ..... D6/85, 189; D9/456;  
D21/56; 211/10, 126, 128**

[56] **References Cited**

**U.S. PATENT DOCUMENTS**

D. 172,596 7/1954 Harper ..... D9/456  
D. 222,570 10/1971 Caine ..... D21/56 X

D. 234,066 1/1975 Wallace ..... D6/189 X  
1,586,111 5/1926 Osborn ..... D21/56 X  
3,814,293 6/1974 Daves ..... D6/85 X

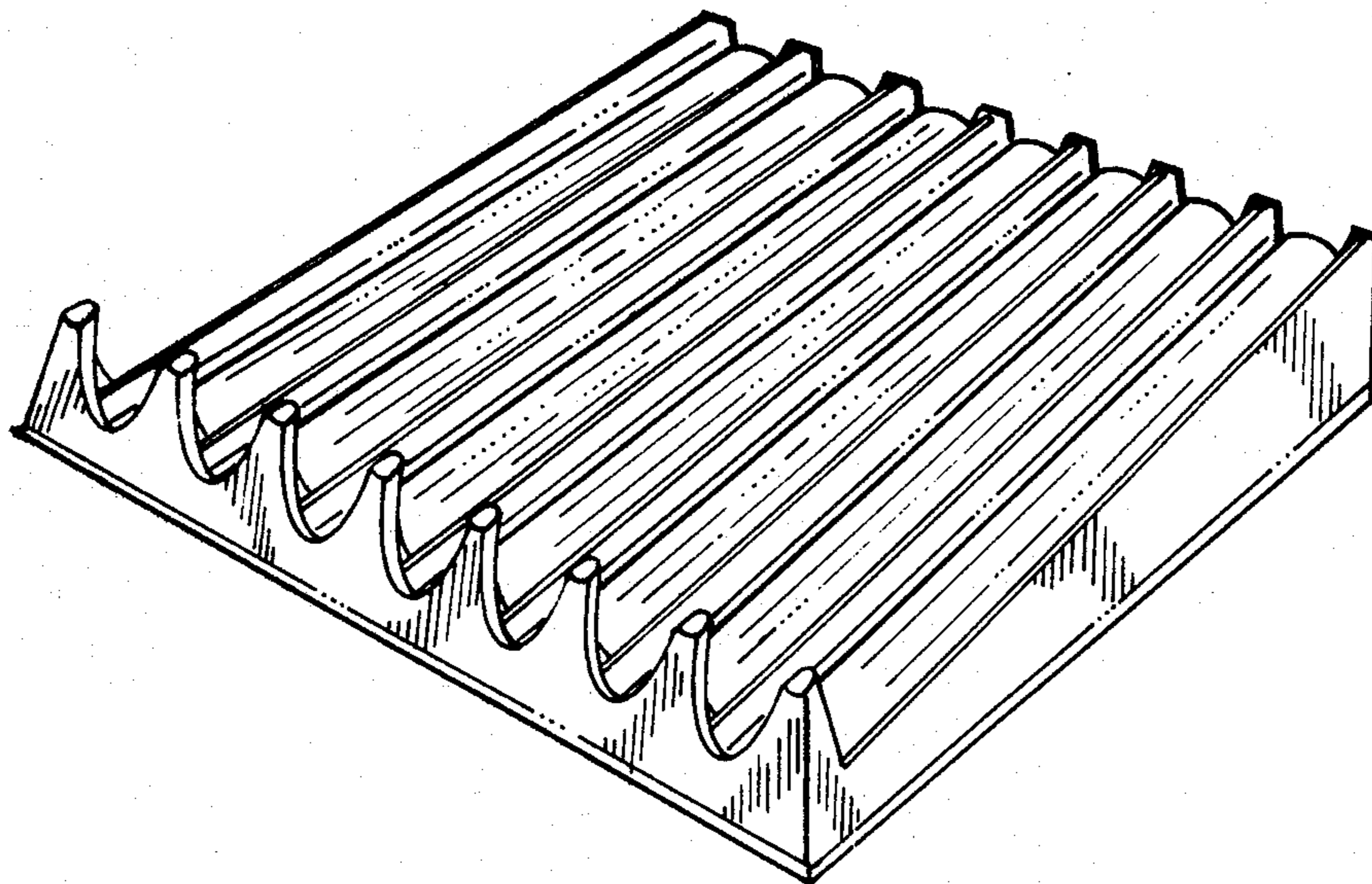
*Primary Examiner*—Bruce W. Dunkins  
*Attorney, Agent, or Firm*—Haverstock, Garrett & Roberts

[57] **CLAIM**

The ornamental design for a product display rack, as shown and described.

**DESCRIPTION**

FIG. 1 is a perspective view of a product display rack showing my new design;  
FIG. 2 is a top plan view thereof;  
FIG. 3 is a front elevational view thereof;  
FIG. 4 is a side elevational view thereof; and  
FIG. 5 is a rear elevational view thereof.



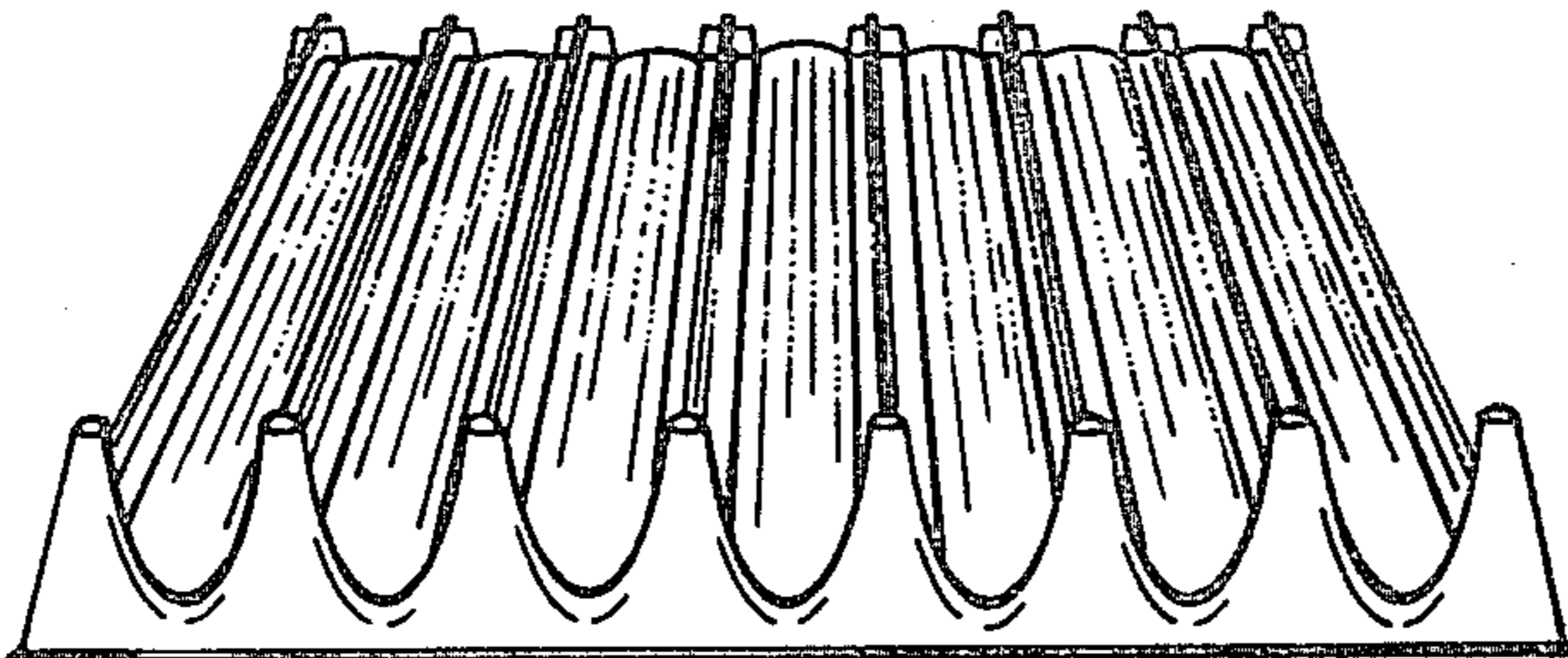


FIG. 3

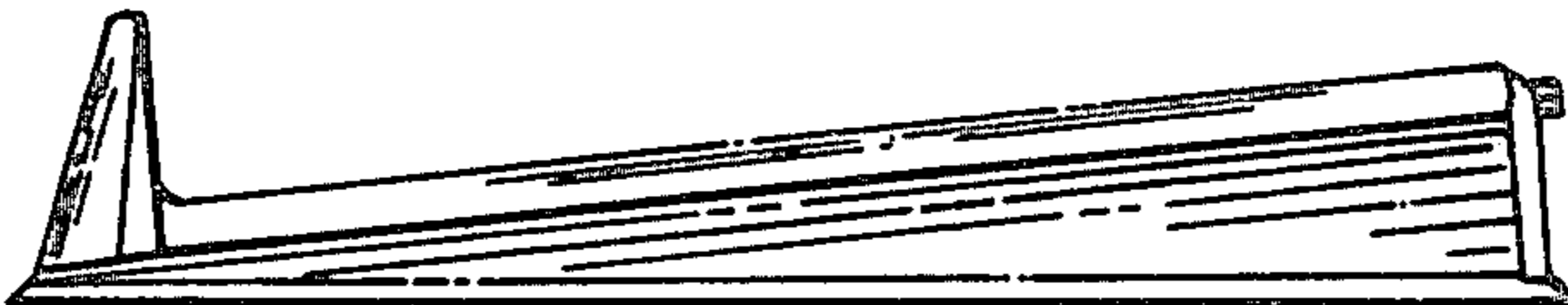


FIG. 4

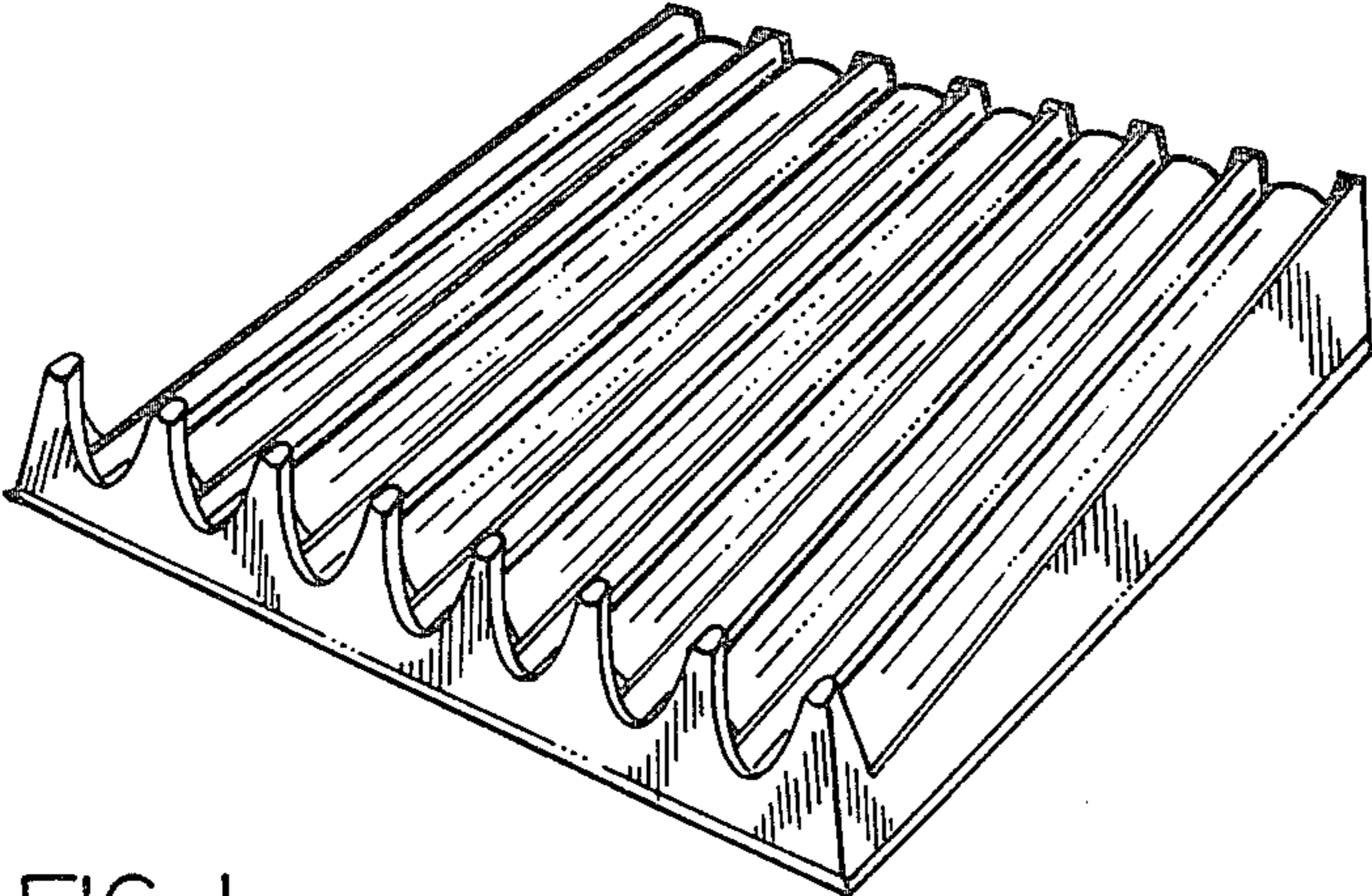


FIG. 1

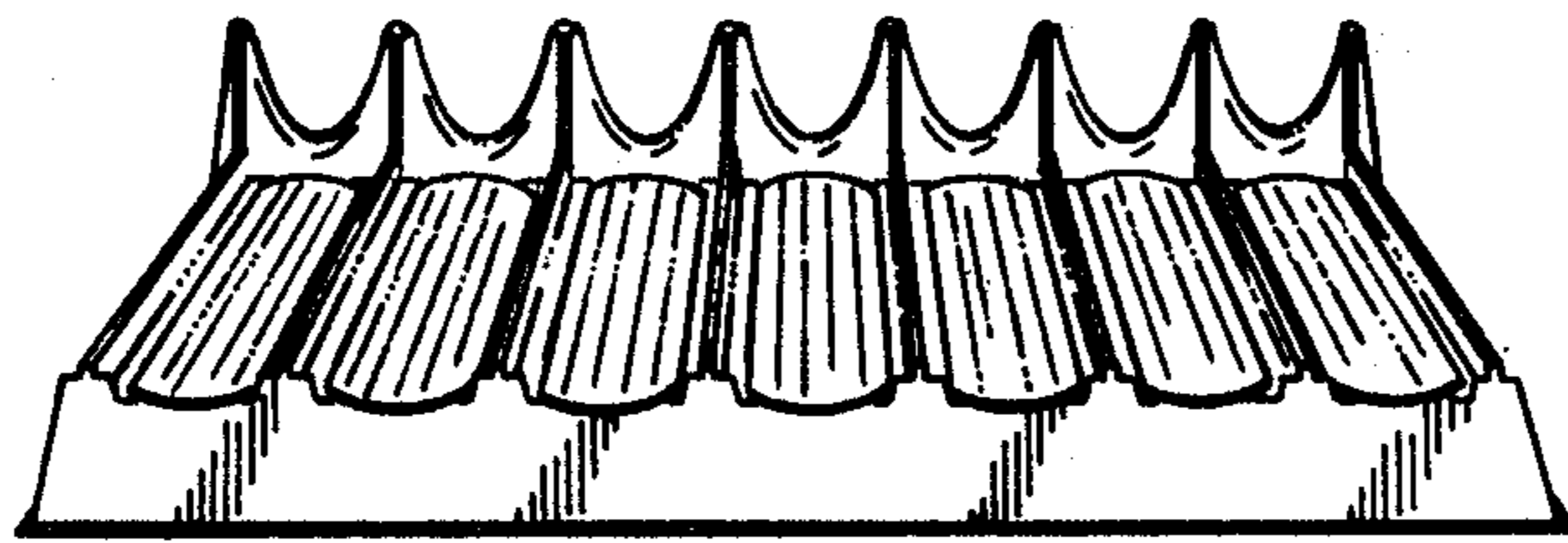


FIG. 5

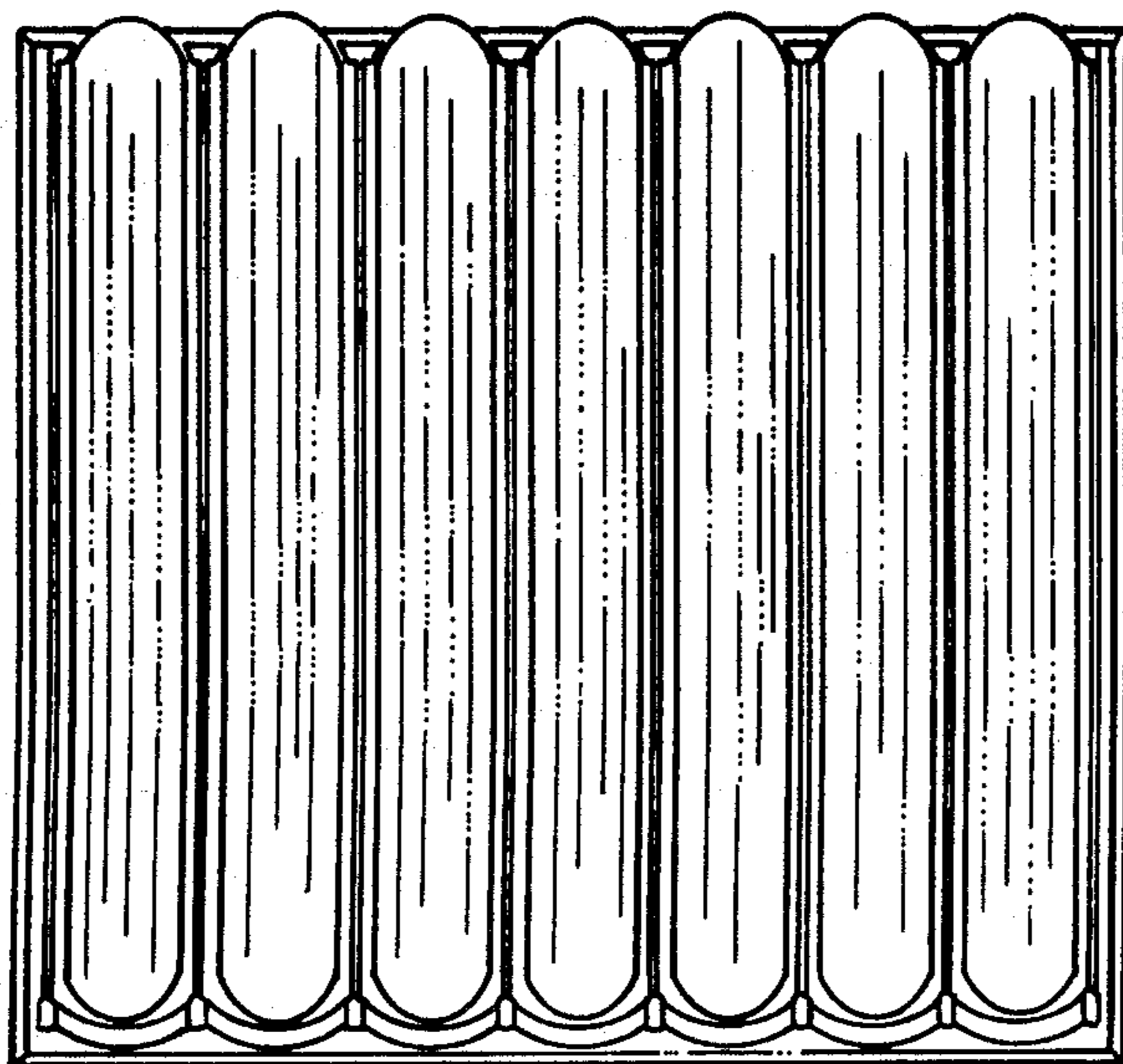


FIG. 2