

# United States Patent [19]

Davis

[11] Patent Number: Des. 275,056

[45] Date of Patent: \*\* Aug. 14, 1984

[54] LOCK BOX

[76] Inventor: Richard W. Davis, 2107 E. Aspen, Tempe, Ariz. 85282

[\*\*] Term: 14 Years

[21] Appl. No.: 307,533

[22] Filed: Oct. 1, 1981

[52] U.S. Cl. .... D99/28; 76/559

[58] Field of Search ..... D6/114, 130, 127, 150; 70/58, 63; 312/297; D6/167

[56] **References Cited**

**U.S. PATENT DOCUMENTS**

D. 227,327	6/1973	Tucker et al. ....	D6/150
D. 250,309	11/1978	Chervenak .....	D6/150
3,084,008	4/1963	Mallett .....	70/63
3,934,434	1/1976	Law .....	70/63
4,112,717	9/1978	Bradley .....	70/63

4,217,012 8/1980 Klaus ..... 312/297

**FOREIGN PATENT DOCUMENTS**

2814389 10/1978 Fed. Rep. of Germany ..... 312/297

*Primary Examiner*—B. J. Bullock  
*Attorney, Agent, or Firm*—Cahill, Sutton & Thomas

[57] **CLAIM**

The ornamental design for a lock box, as shown and described.

**DESCRIPTION**

FIG. 1 is a perspective view of a lock box showing my new design;  
FIG. 2 is a top plan view thereof, the bottom plan view being the same;  
FIG. 3 is a front elevational view thereof;  
FIG. 4 is a rear elevational view thereof; and  
FIG. 5 is a side elevational view thereof, both sides being the same.

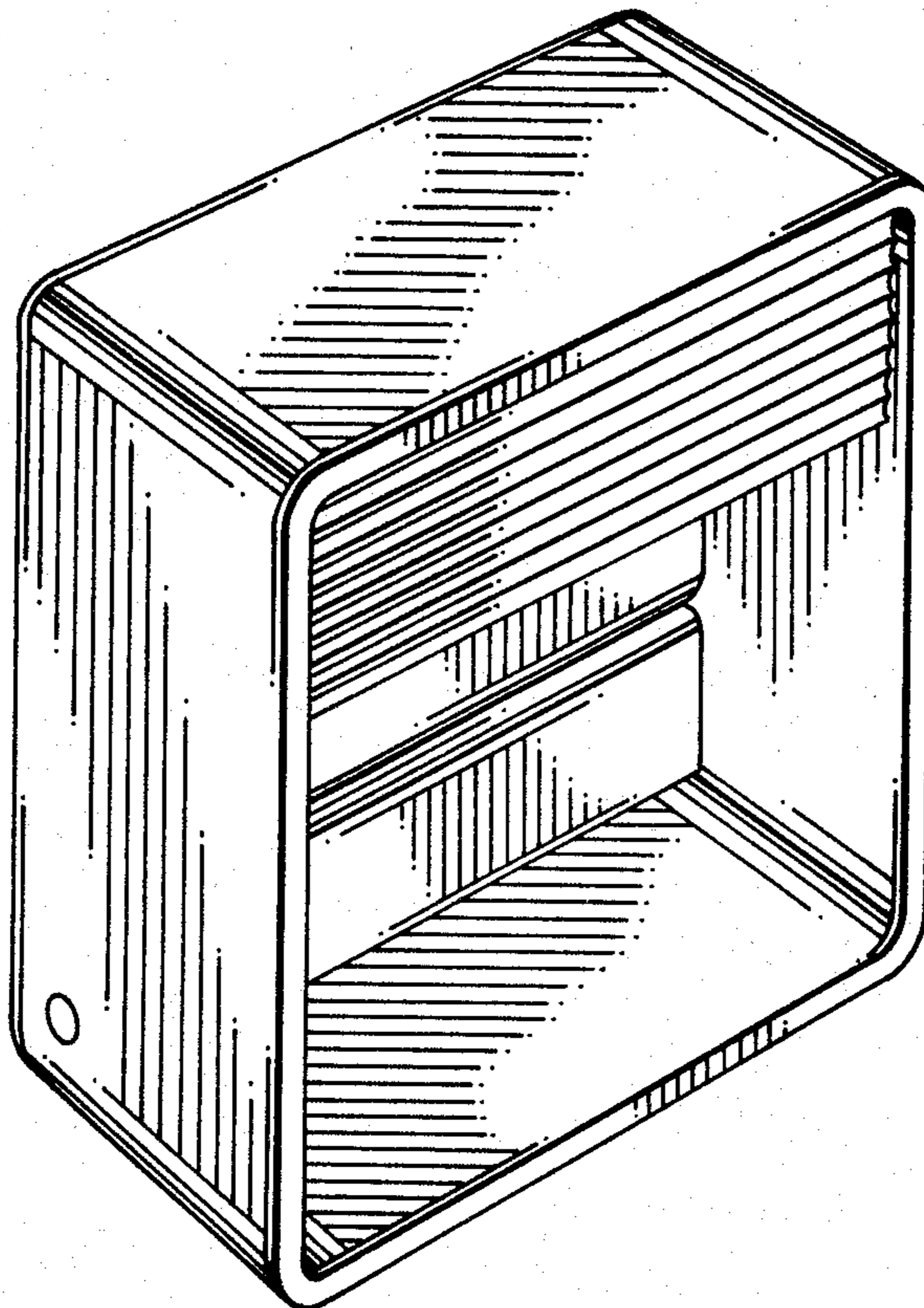


FIG. 1

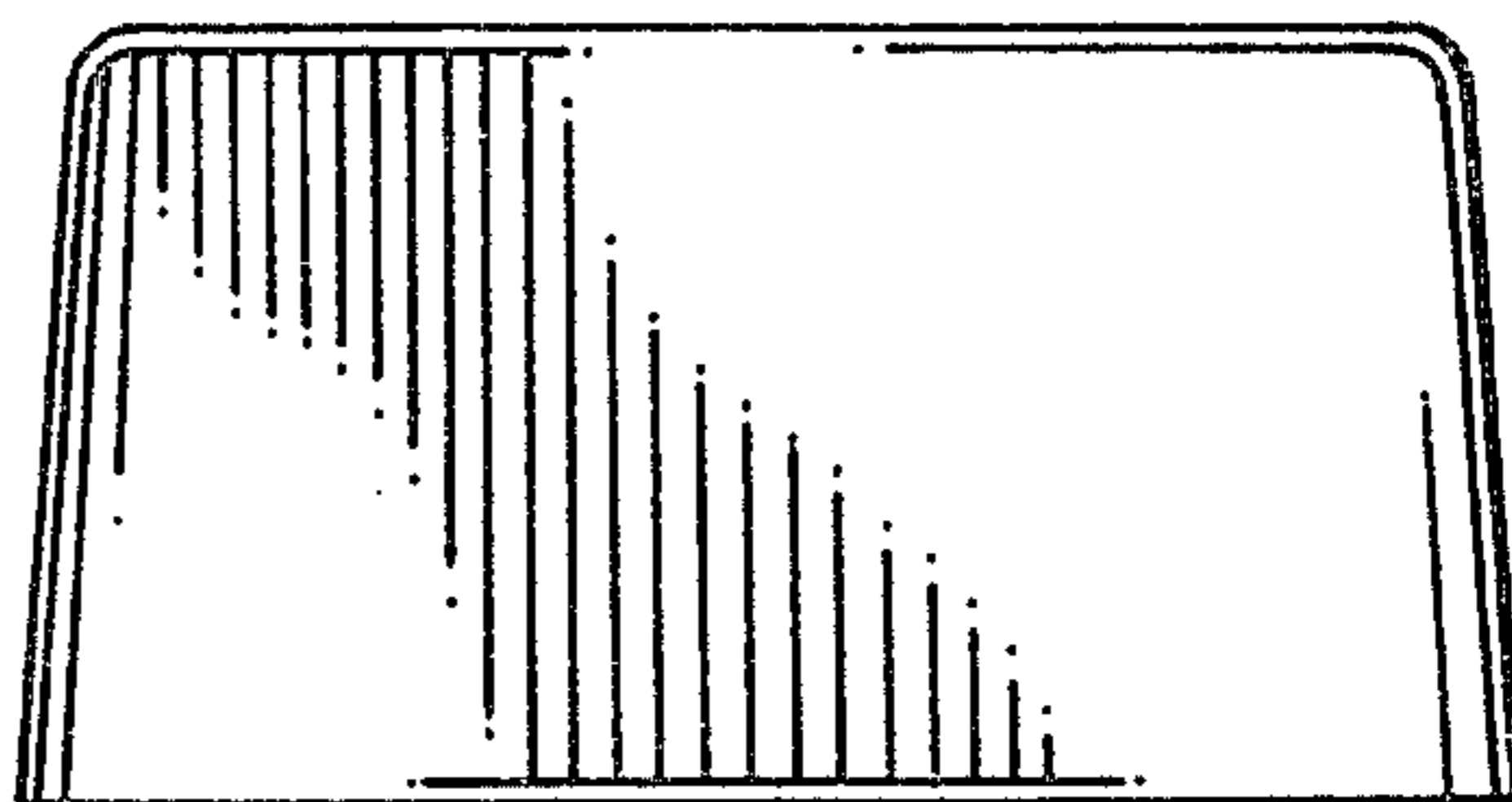
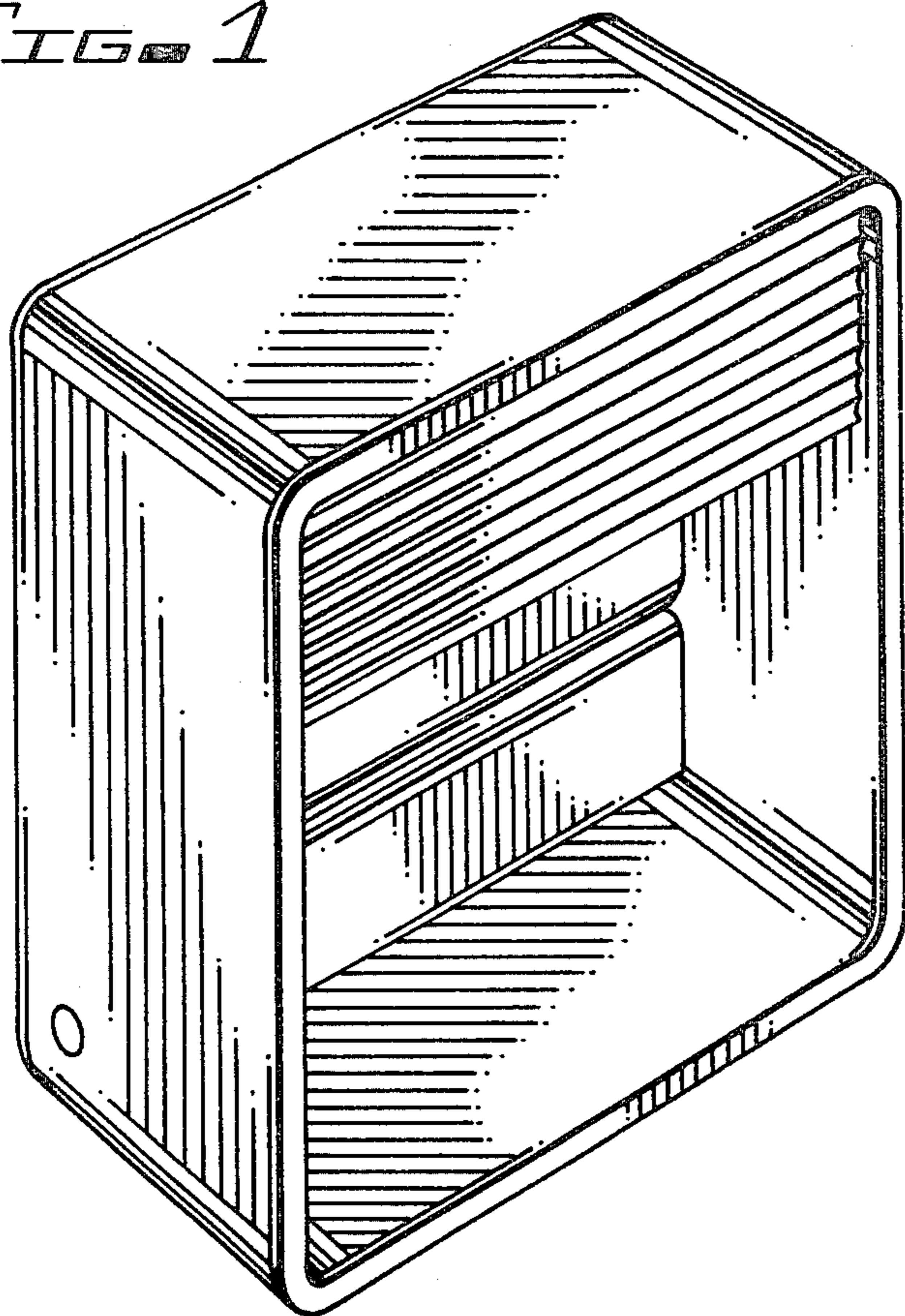


FIG. 2

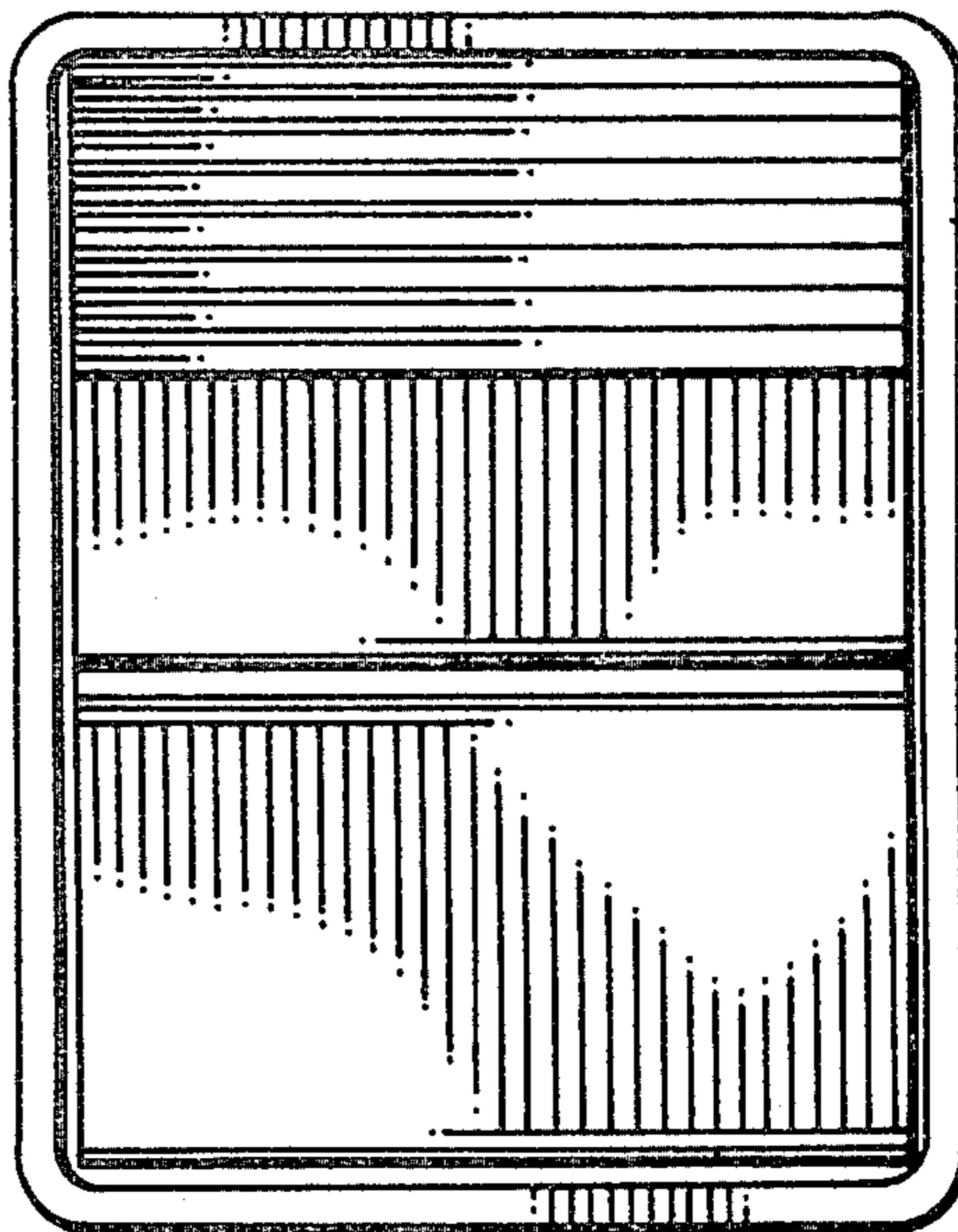


FIG. 3

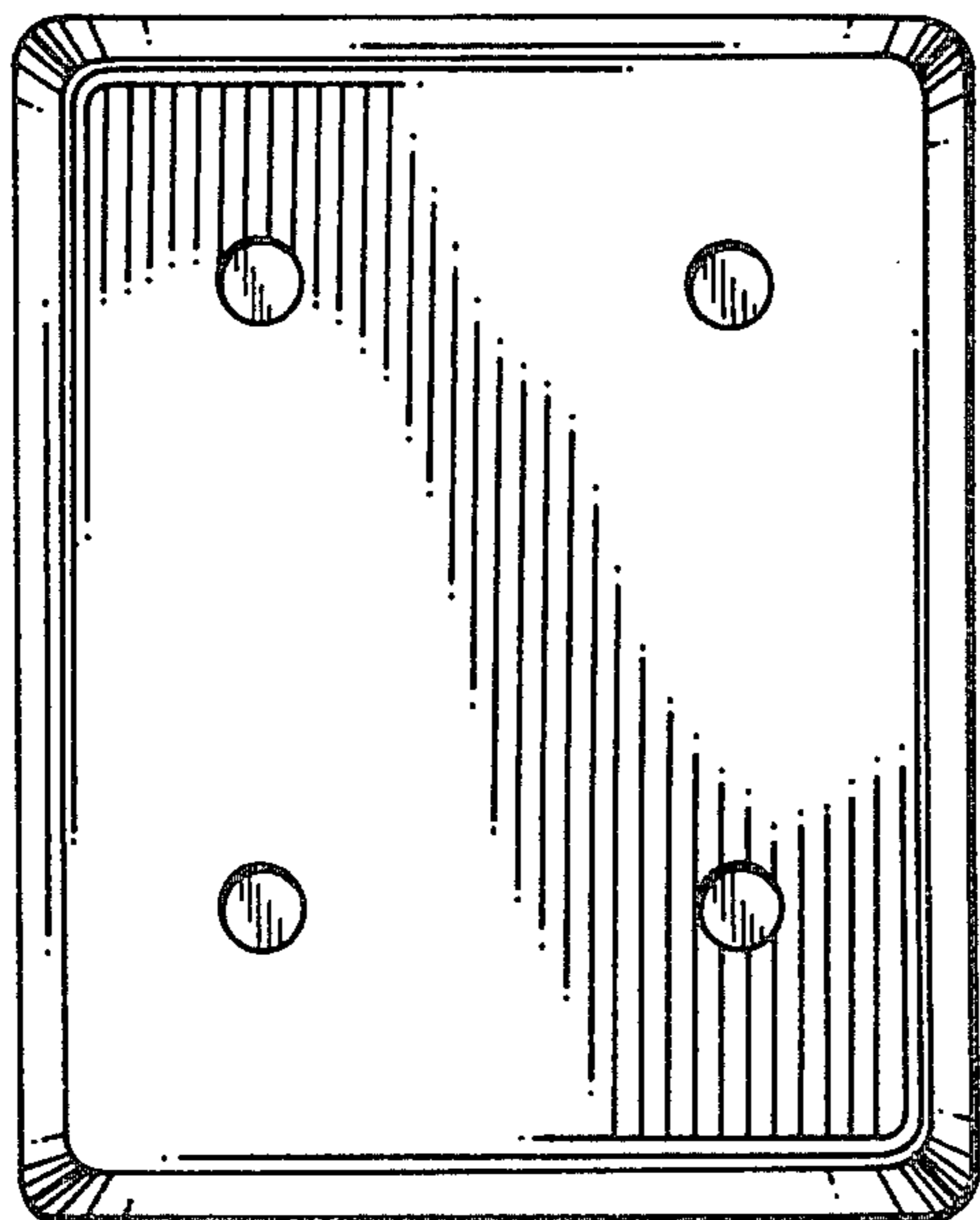


FIG. 4

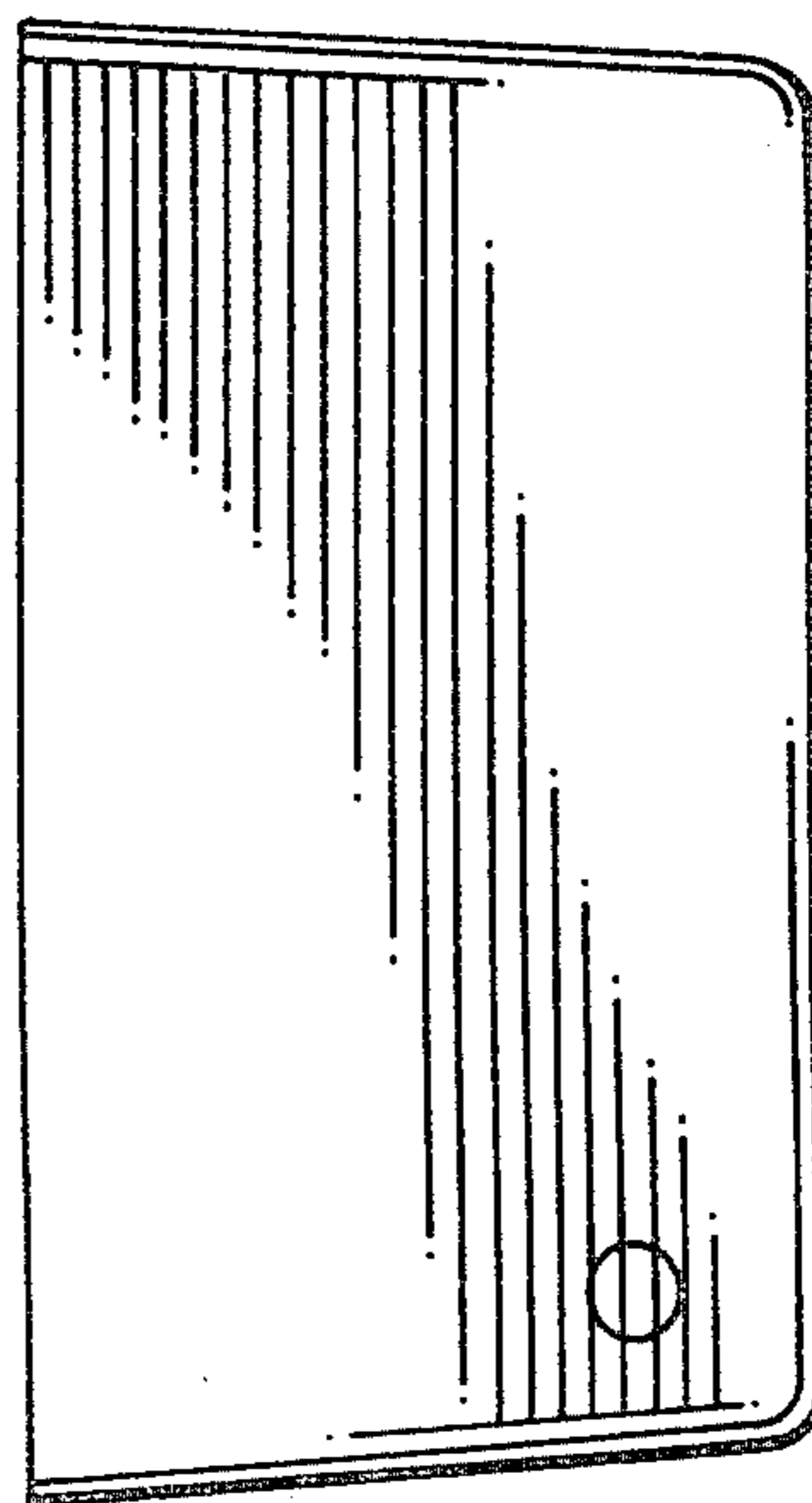


FIG. 5