

# United States Patent [19]

Aronowitz et al.

[11] Patent Number: **Des. 275,054**

[45] Date of Patent: **\*\* Aug. 14, 1984**

[54] **STOOL**

[76] Inventors: **Robert Aronowitz**, 40 E. 84th St., New York, N.Y. 10028; **Bernard Katzanek**, 100 Caton Ave., Brooklyn, N.Y. 11218

[\*] Notice: The portion of the term of this patent subsequent to Aug. 14, 2001 has been disclaimed.

[\*\*] Term: **14 Years**

[21] Appl. No.: **342,578**

[22] Filed: **Jan. 25, 1982**

[52] U.S. Cl. .... **D6/360; D6/366**

[58] Field of Search ..... **D6/26, 30-36, D6/47, 67, 78**

[56] **References Cited**

### U.S. PATENT DOCUMENTS

D. 253,324 11/1979 Lopez ..... D6/31 X

D. 264,774 6/1982 McGirk et al. .... D6/48  
D. 270,020 8/1983 Drabert ..... D6/31  
3,361,472 1/1968 Hasbrouck ..... D6/31 X

### OTHER PUBLICATIONS

Industrial Design, Nov./Dec., 1977, p. 42, Chair, bottom right by Burante.

Design Catalog, Sep. 1978, p. 96, Chair by Hopkins Green.

Cosco Brochure, Jun. 3, 1974, Stool No. 11-131.

Primary Examiner—Bruce W. Dunkins

### [57] CLAIM

The ornamental design for a stool, as shown.

### DESCRIPTION

FIG. 1 is a perspective view of the stool of the present invention;

FIG. 2 is a front view thereof;

FIG. 3 is a side view thereof; and

FIG. 4 is a rear view thereof.

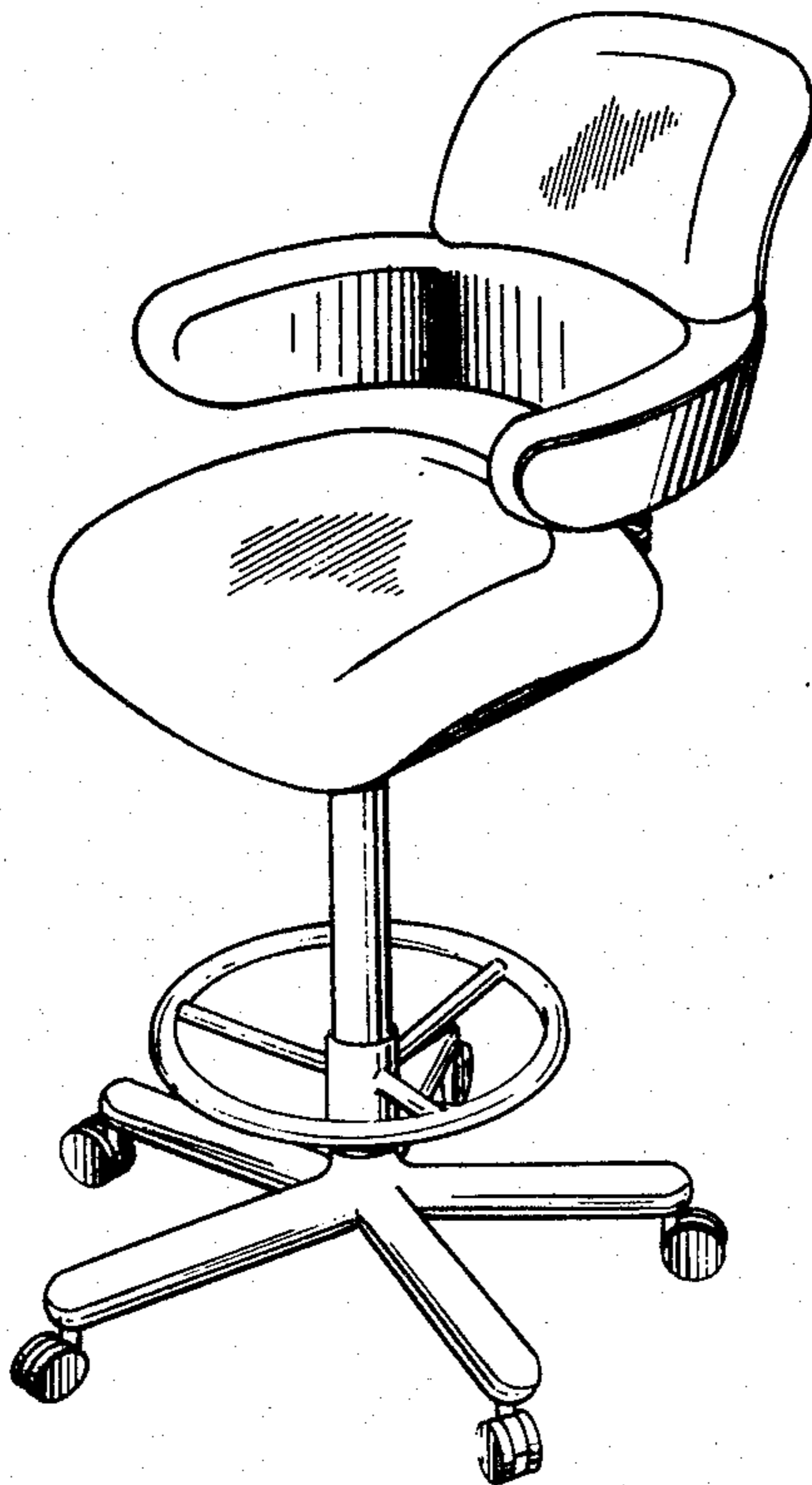


Fig. 2.

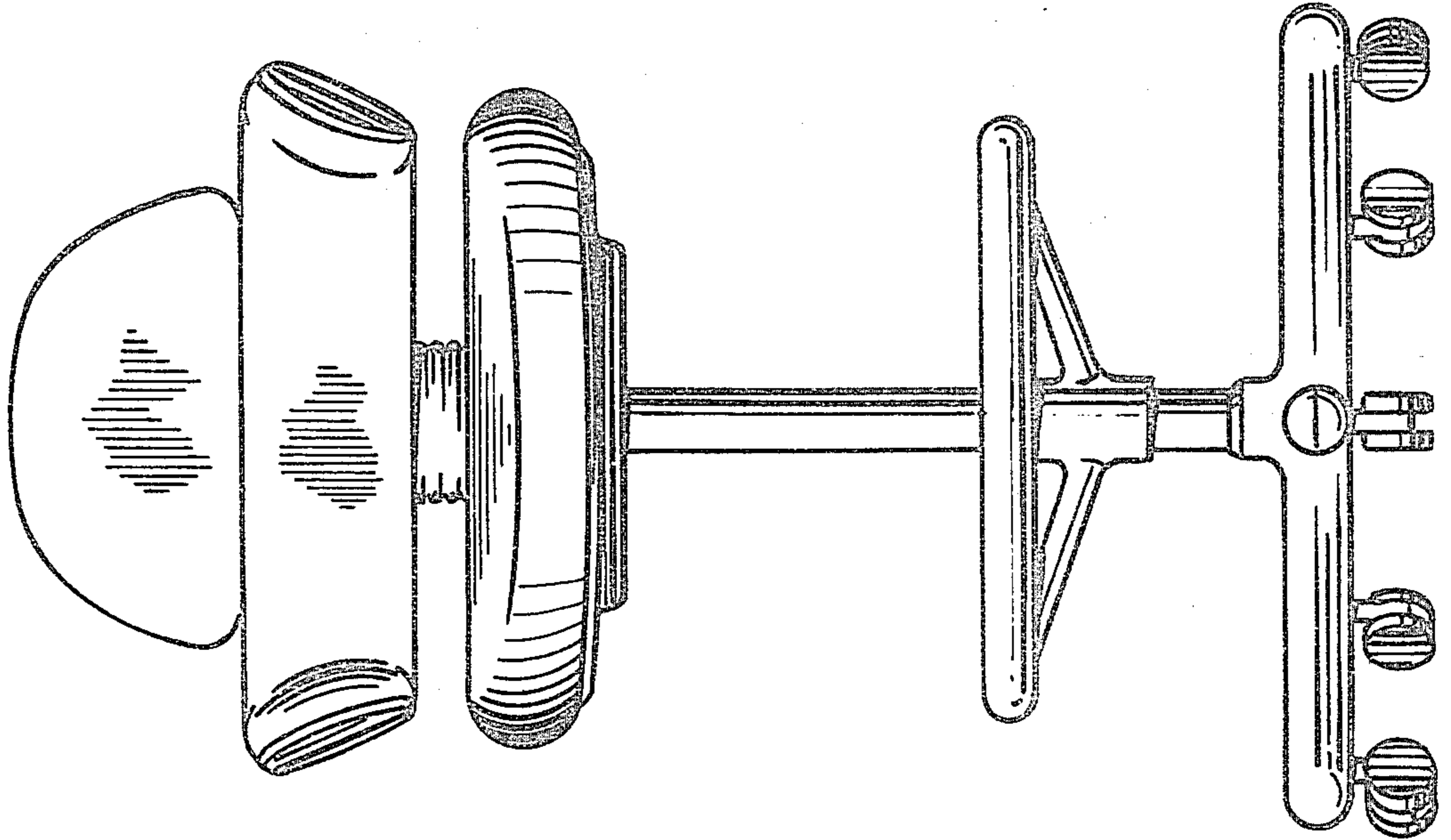


Fig. 1.

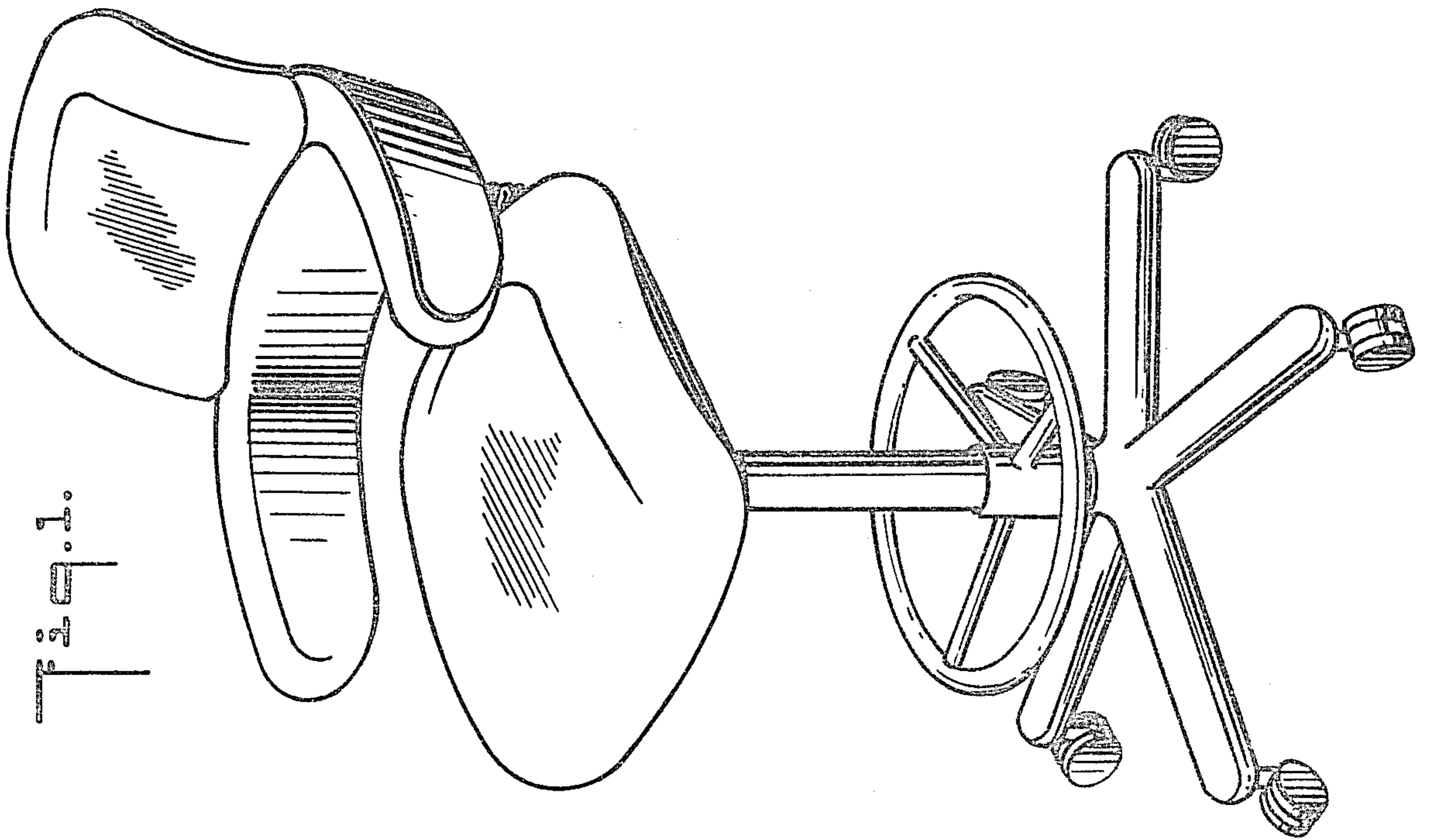


Fig. 4.

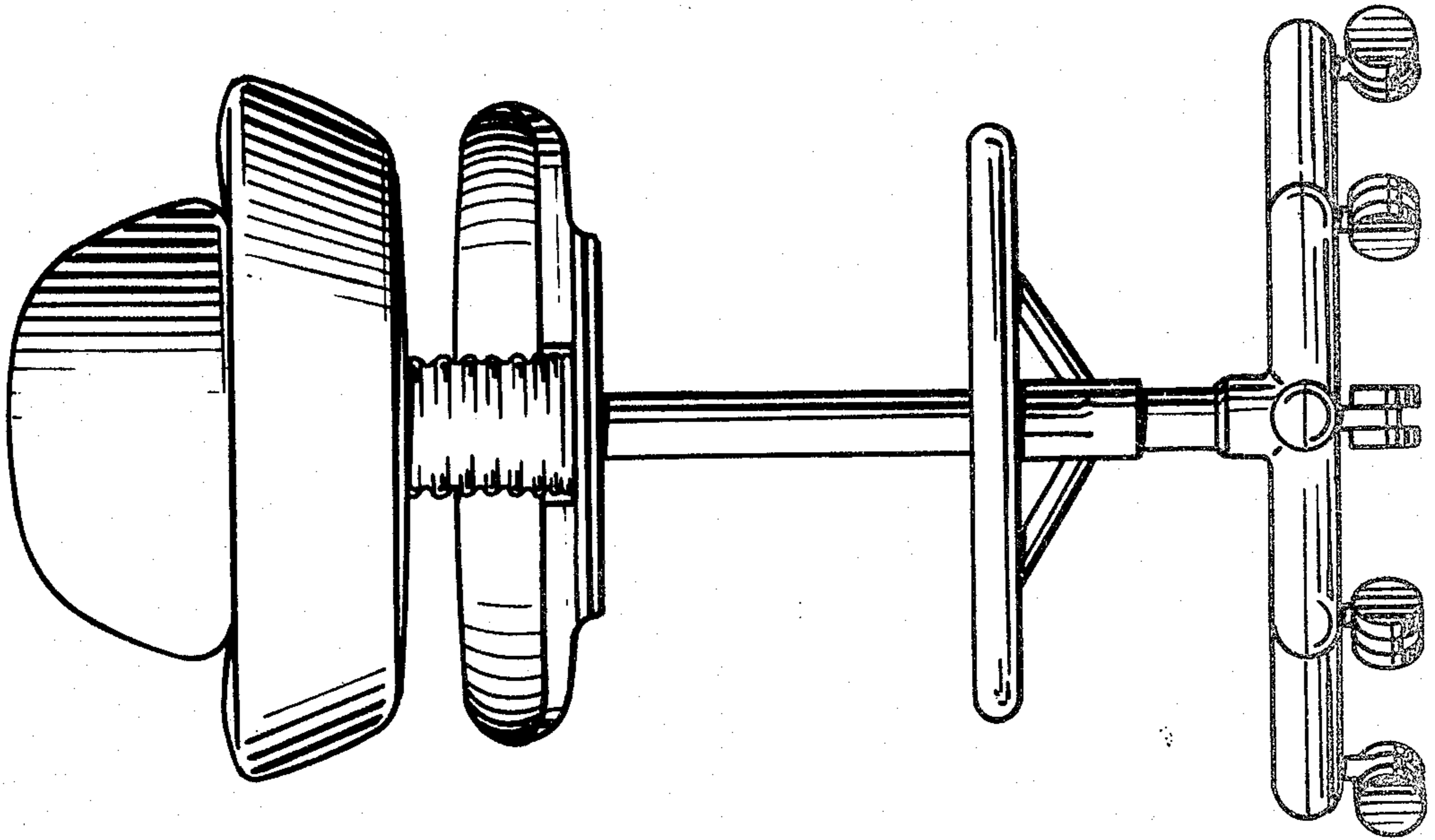


Fig. 3.

