

United States Patent [19]

Aronowitz et al.

[11] Patent Number: **Des. 275,050**

[45] Date of Patent: **** Aug. 14, 1984**

[54] CHAIR

[76] Inventors: **Robert Aronowitz**, 40 E. 84th St.,
New York, N.Y. 10028; **Bernard
Katzanek**, 100 Caton Ave.,
Brooklyn, N.Y. 11218

[*] Notice: The portion of the term of this patent
subsequent to Aug. 14, 2001 has been
disclaimed.

[**] Term: **14 Years**

[21] Appl. No.: **342,577**

[22] Filed: **Jan. 25, 1982**

[52] U.S. Cl. **D6/366**

[58] Field of Search **D6/26, 30, 31**

[56] **References Cited**

U.S. PATENT DOCUMENTS

D. 253,324 11/1979 Lopez D6/31 X

D. 264,774 6/1982 McGirk et al. D6/48
D. 270,020 8/1983 Drabert D6/31
3,361,472 1/1968 Hasbrouck D6/31 X

OTHER PUBLICATIONS

Industrial Design, Nov./Dec. 1977, p. 42, Chair bottom
right by Burante.

Design Catalog, Sep. 1978, p. 96, Chair by Hopkins
Green.

Primary Examiner—Bruce W. Dunkins

[57] **CLAIM**

The ornamental design for a chair, as shown.

DESCRIPTION

FIG. 1 is a perspective view of the chair of the present
invention;

FIG. 2 is a front view thereof;

FIG. 3 is a side view thereof; and

FIG. 4 is a rear view thereof.

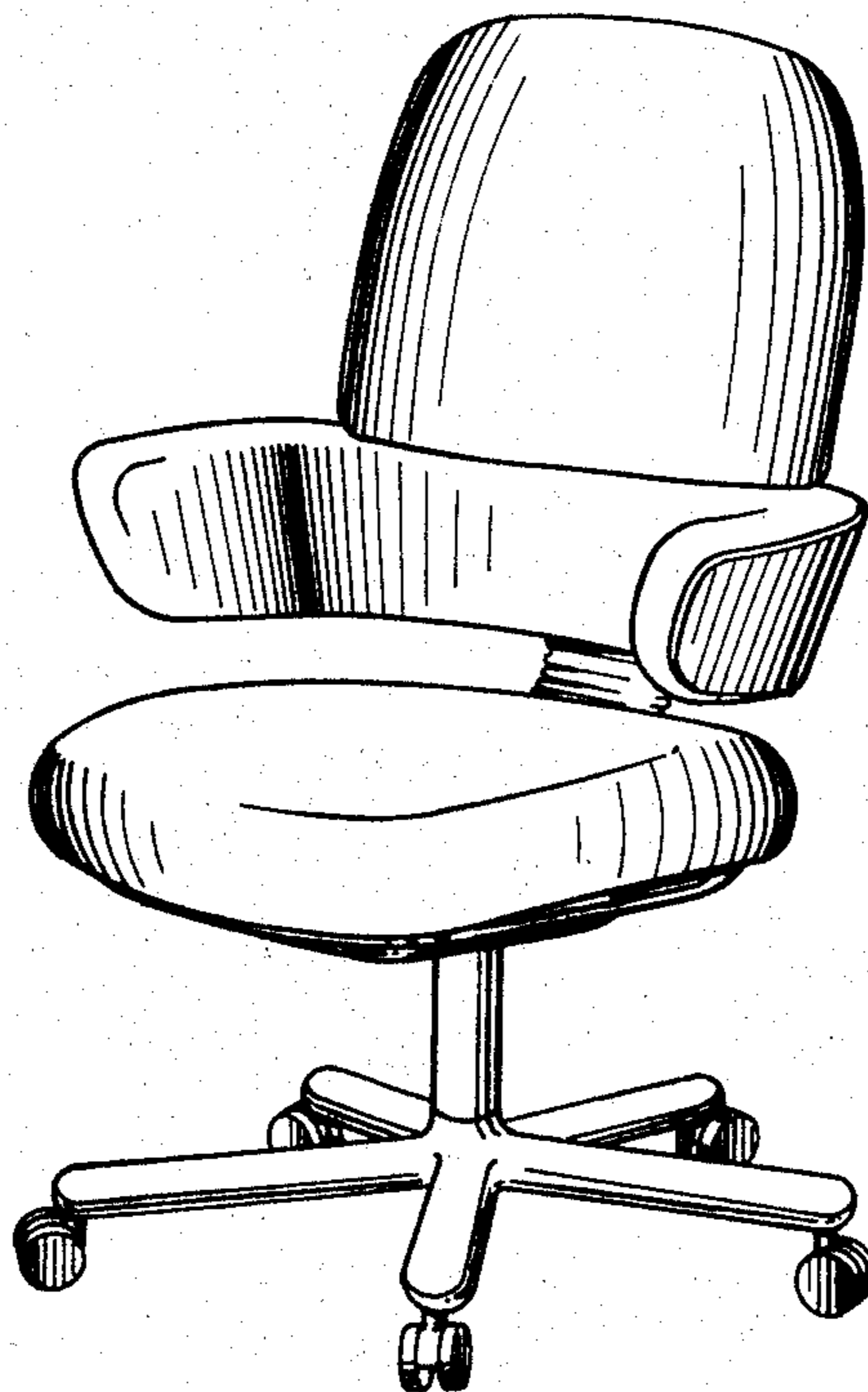


Fig. 2.

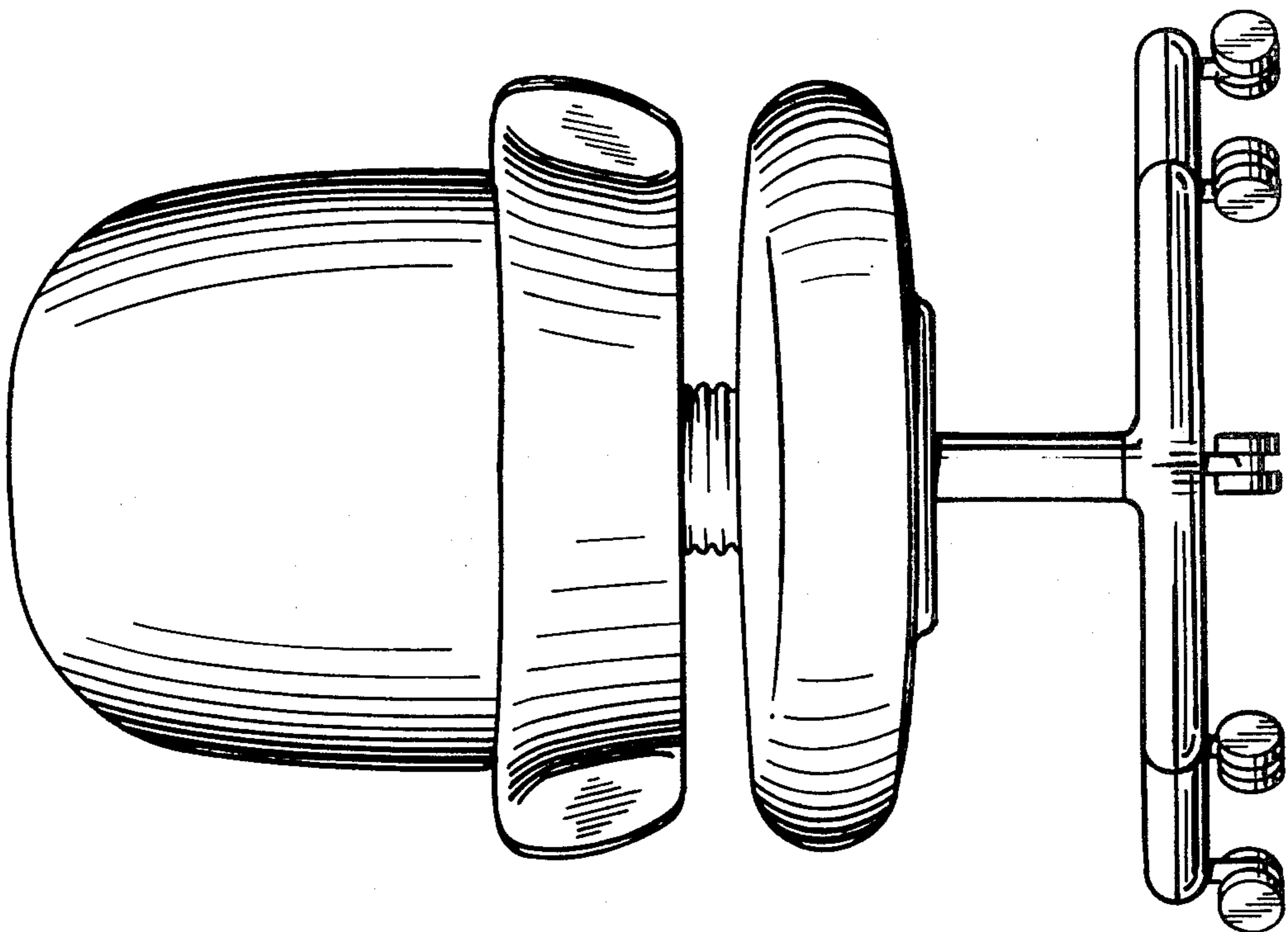


Fig. 1.

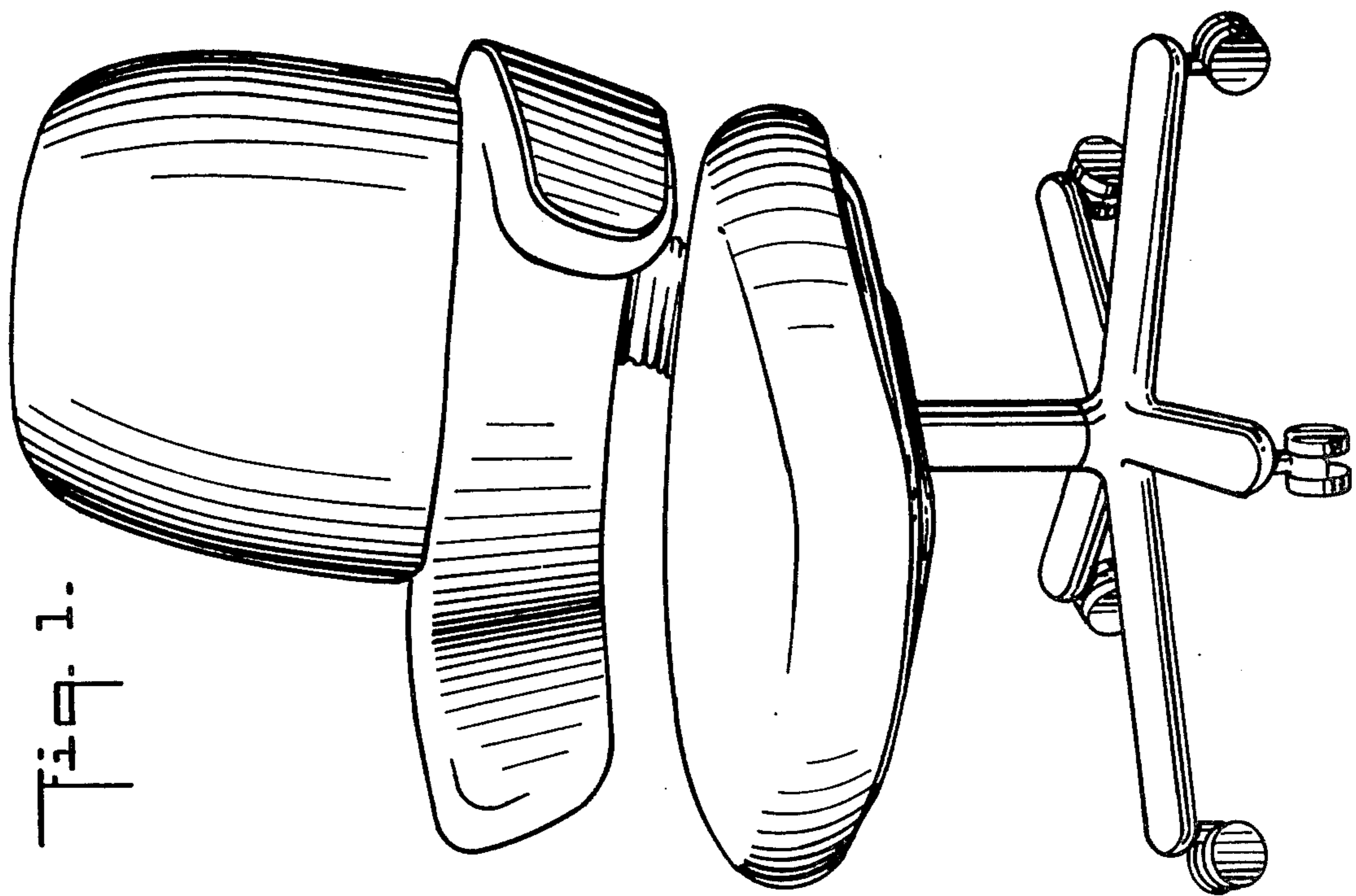


Fig. 4.

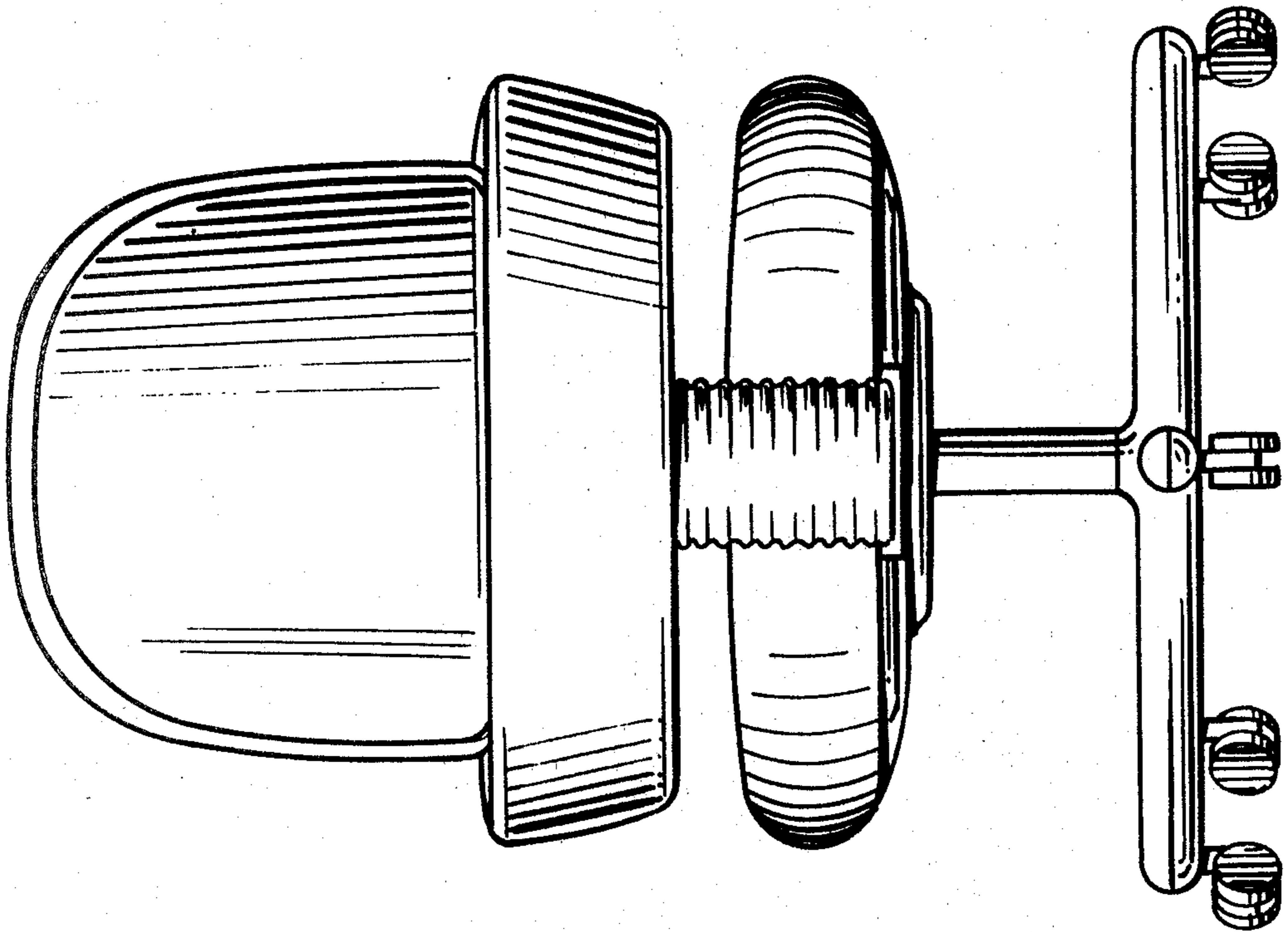


Fig. 5.

