

[54] **CARRIER FOR A DRILL AND DRILL ACCESSORIES**

[76] **Inventor: Francis R. Bannigan, 64 Duerdin St., North Clayton, Victoria, 3168, Australia**

[\*\*] **Term: 14 Years**

[21] **Appl. No.: 367,592**

[22] **Filed: Apr. 12, 1982**

[52] **U.S. Cl. .... D34/44; D3/30.1; D3/74; D34/45**

[58] **Field of Search .... D3/30.1, 74, 73; D6/114, 130, 131; 312/DIG. 33; 206/349-379; D34/40-45; 294/172**

[56] **References Cited**

**U.S. PATENT DOCUMENTS**

D. 212,995 12/1968 Myers ..... D34/44  
D. 229,123 11/1973 Fry ..... D3/73  
D. 259,099 5/1981 Davis ..... D34/44  
D. 259,446 6/1981 Sullivan ..... D34/45  
D. 269,218 5/1983 Berman ..... D3/30.1  
4,356,854 11/1982 McGee ..... D3/30.1

*Primary Examiner*—George P. Word  
*Attorney, Agent, or Firm*—Scully, Scott, Murphy & Presser

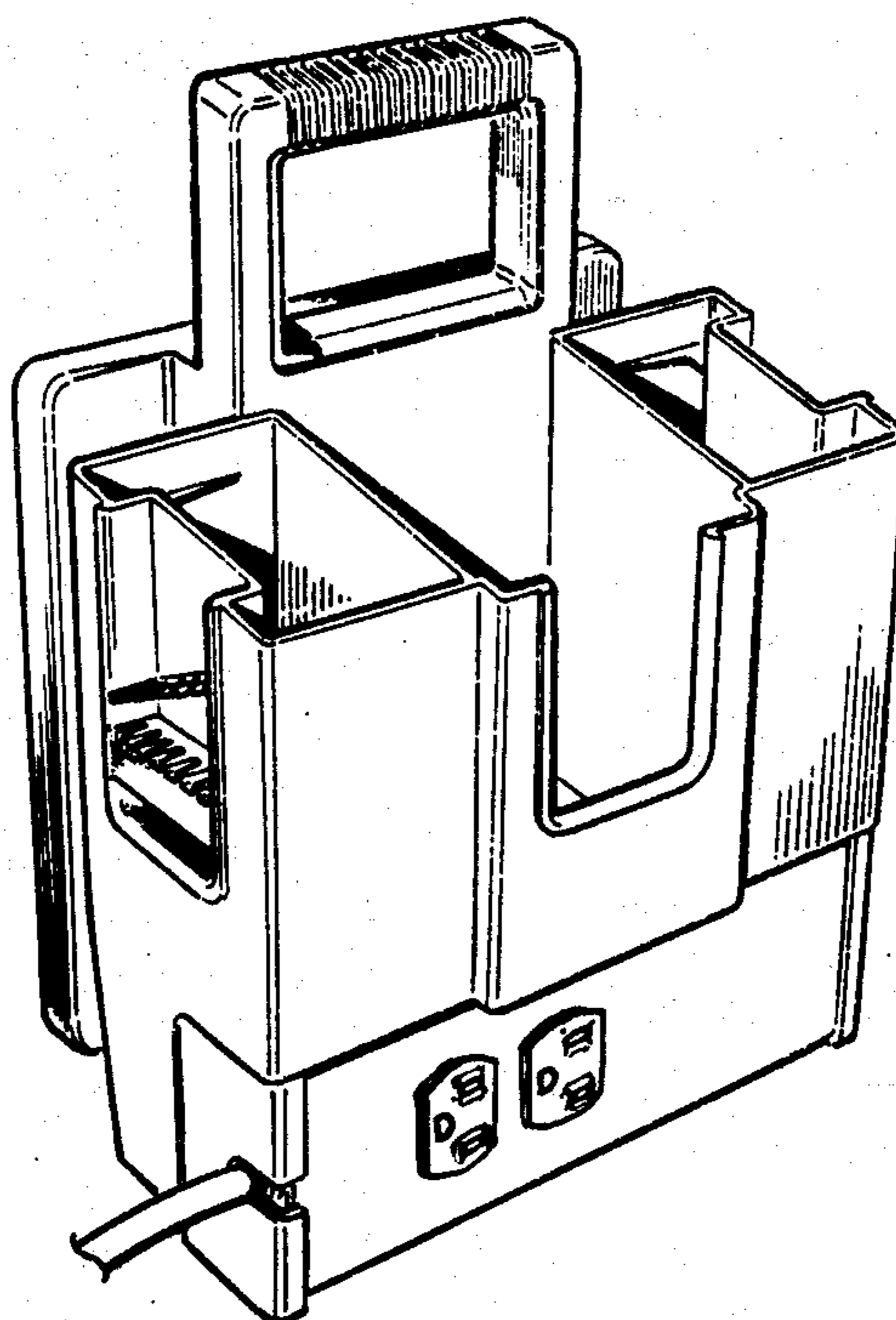
[57] **CLAIM**

The ornamental design for a carrier for a drill and drill accessories, as shown and described.

**DESCRIPTION**

FIG. 1 is a top front perspective view of a carrier for a drill and drill accessories showing my new design; and FIG. 2 is a bottom rear perspective view thereof.

A portion of a conventional power cord is omitted for convenience of illustration.



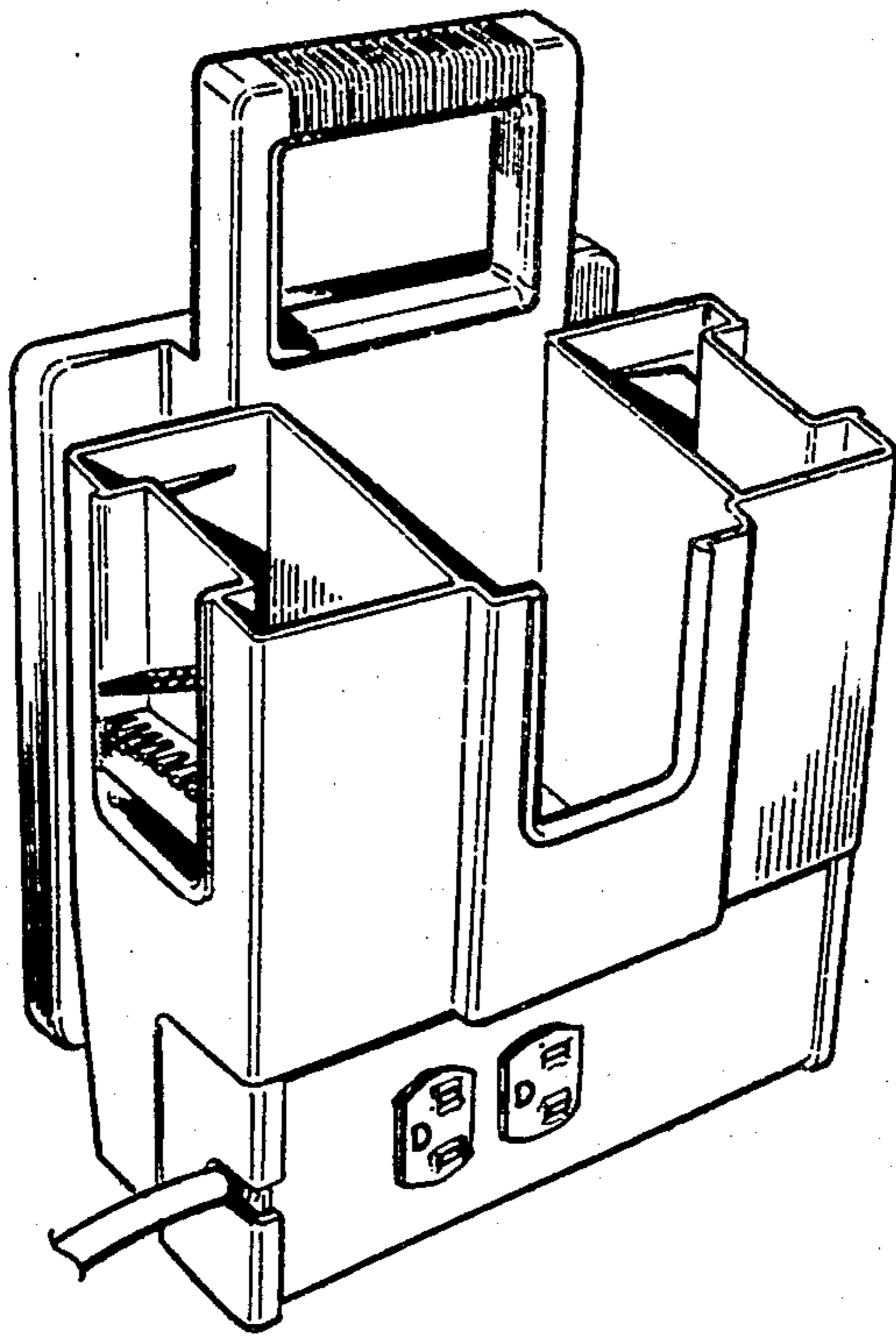


FIG. 1.

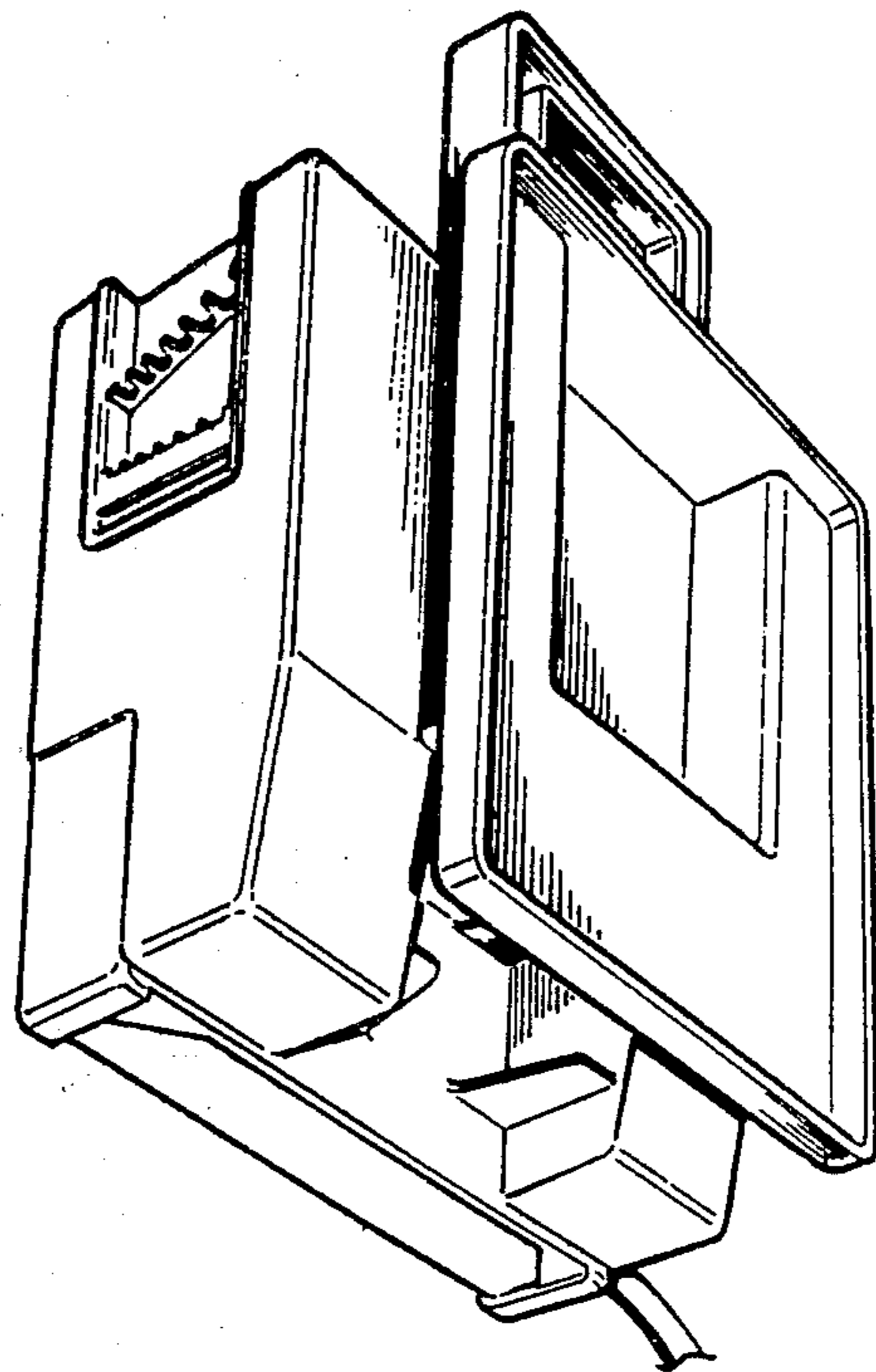


FIG. 2.