

[54] PALLET

[75] Inventor: Kjell S. Andersson, Löddeköpinge, Sweden

[73] Assignee: Alfa-Laval AB, Tumba, Sweden

[**] Term: 14 Years

[21] Appl. No.: 333,316

[22] Filed: Dec. 22, 1981

[30] Foreign Application Priority Data

Jun. 23, 1981 [SE] Sweden 81-1435

[52] U.S. Cl. D34/40

[58] Field of Search D34/40-46, D34/38; 108/57.1, 901, 902; 206/386, 595, 599, 503, 505, 515, 509

[56] References Cited

U.S. PATENT DOCUMENTS

- D. 227,191 6/1973 Cape D34/43
- D. 264,513 5/1982 Miller D34/43

- 3,762,594 10/1973 Utz 220/DIG. 15
- 3,917,108 11/1975 Thurman 108/901
- 4,176,747 12/1979 Aho 220/DIG. 15

FOREIGN PATENT DOCUMENTS

- 2632754 2/1977 Fed. Rep. of Germany 206/386

Primary Examiner—George P. Word
Attorney, Agent, or Firm—Davis, Hoxie, Faithfull & Haggood

[57] CLAIM

The ornamental design for a pallet, as shown and described.

DESCRIPTION

FIG. 1 is a top perspective view of a pallet showing my new design;
FIG. 2 is an inverted bottom perspective view thereof;
FIG. 3 is a reduced scale front elevational view of FIG. 1; and
FIG. 4 is a reduced scale side elevational view of FIG. 1.

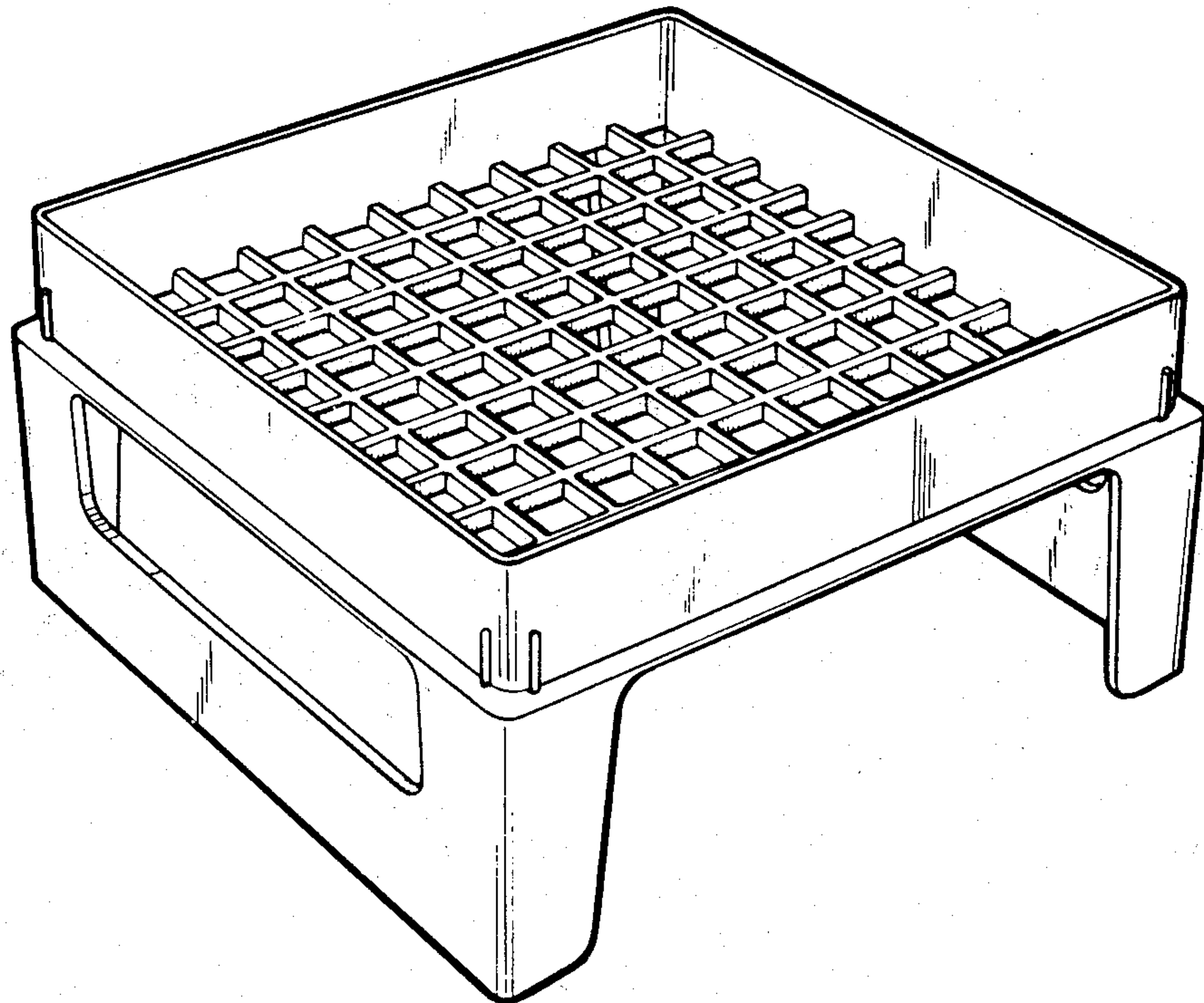


Fig.1

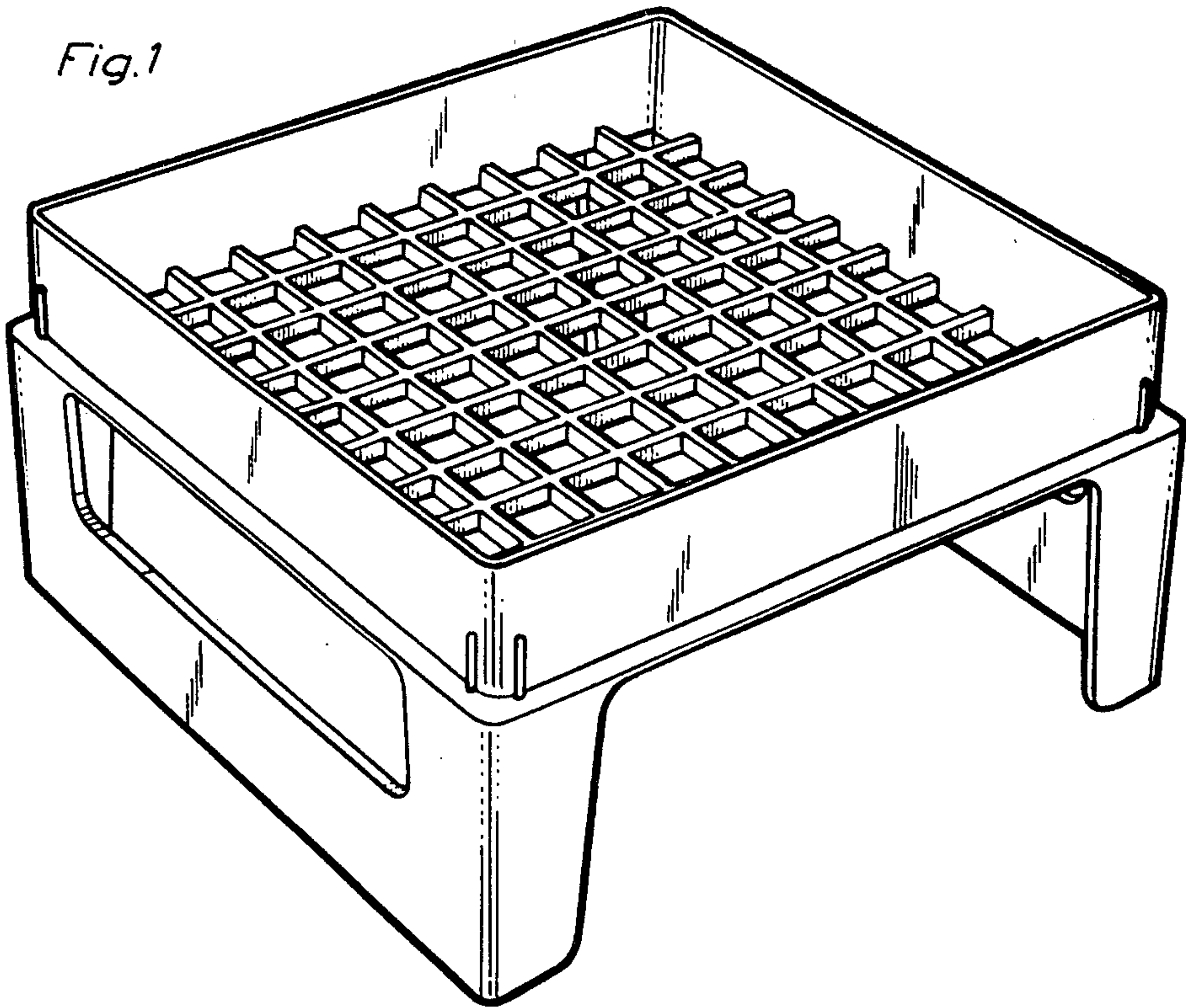


Fig.2

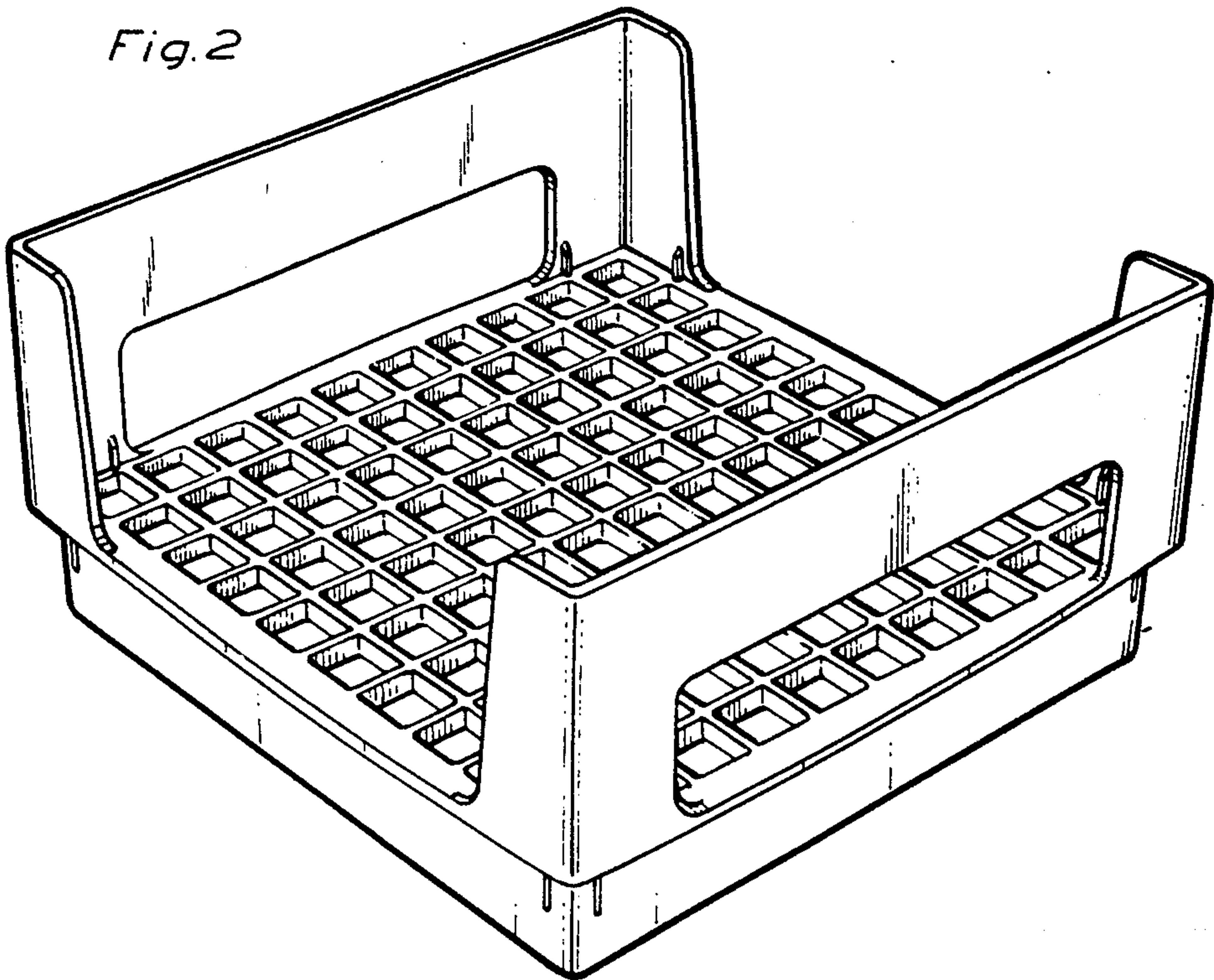


Fig.3

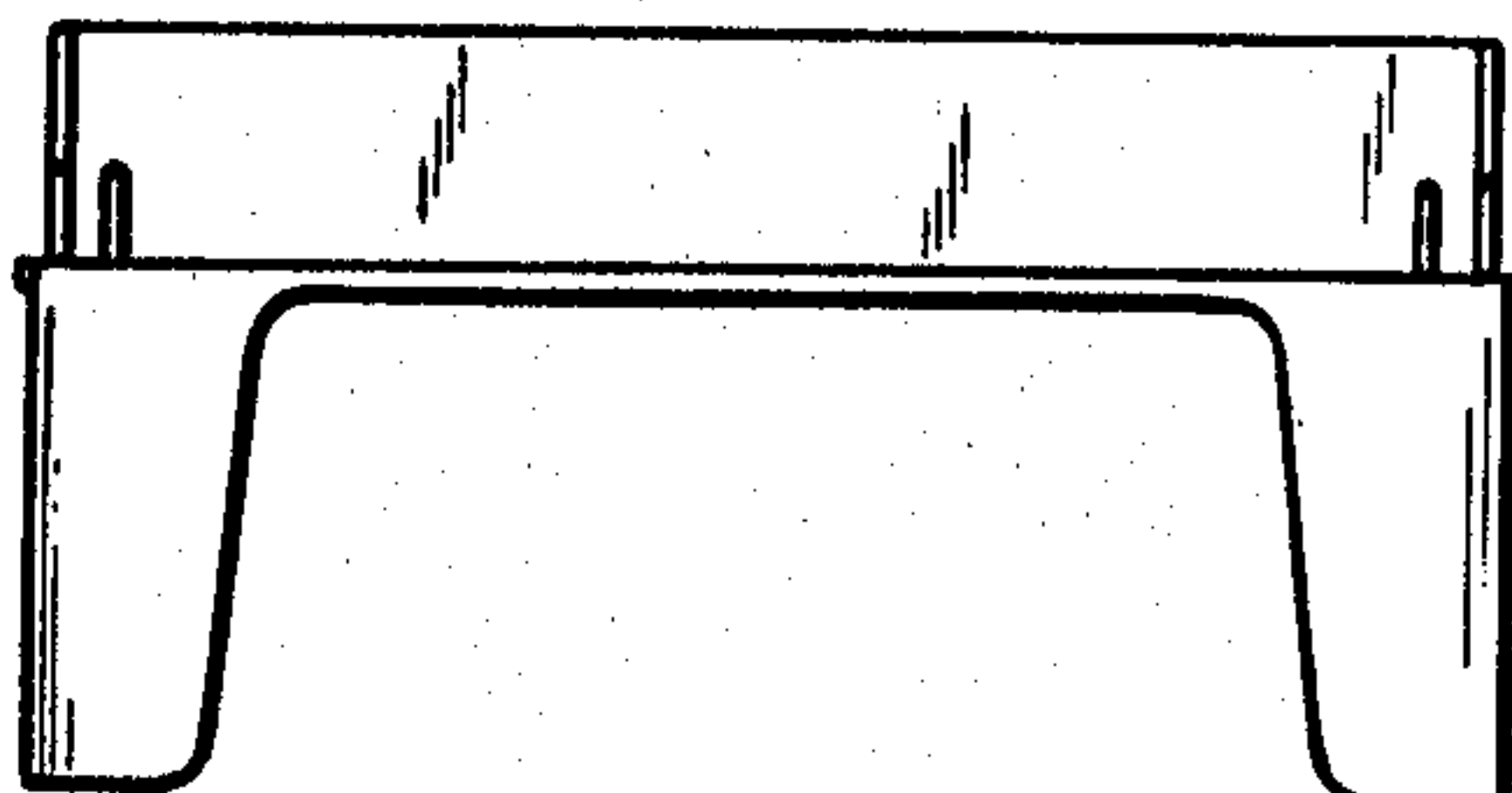


Fig.4

