

[54] COLLAPSIBLE STORAGE BIN

[76] Inventor: Raymond C. Midgley, 1 Eastwell St., Australind, Australia

[**] Term: 14 Years

[21] Appl. No.: 210,041

[22] Filed: Nov. 24, 1980

[52] U.S. Cl. D34/40

[58] Field of Search D34/40; 220/1.5, 4 C, 220/4 D, 6, 7; 206/503, 511

[56] References Cited

U.S. PATENT DOCUMENTS

D. 232,812	9/1974	Ogle et al.	D34/40
3,372,829	3/1968	Averill	206/511 X
3,828,964	8/1974	Bonnot	206/511 X
3,865,269	2/1975	Coleman	220/6
4,020,967	5/1977	Hammond et al.	220/1.5 X
4,090,633	5/1978	Trubiano	220/1.5 X
4,186,841	2/1980	Buckley et al.	206/511 X
4,240,555	12/1980	Jurasek	206/511

4,334,812	6/1982	Delatash	220/1.5 X
4,349,117	9/1982	Bain et al.	220/4 R X

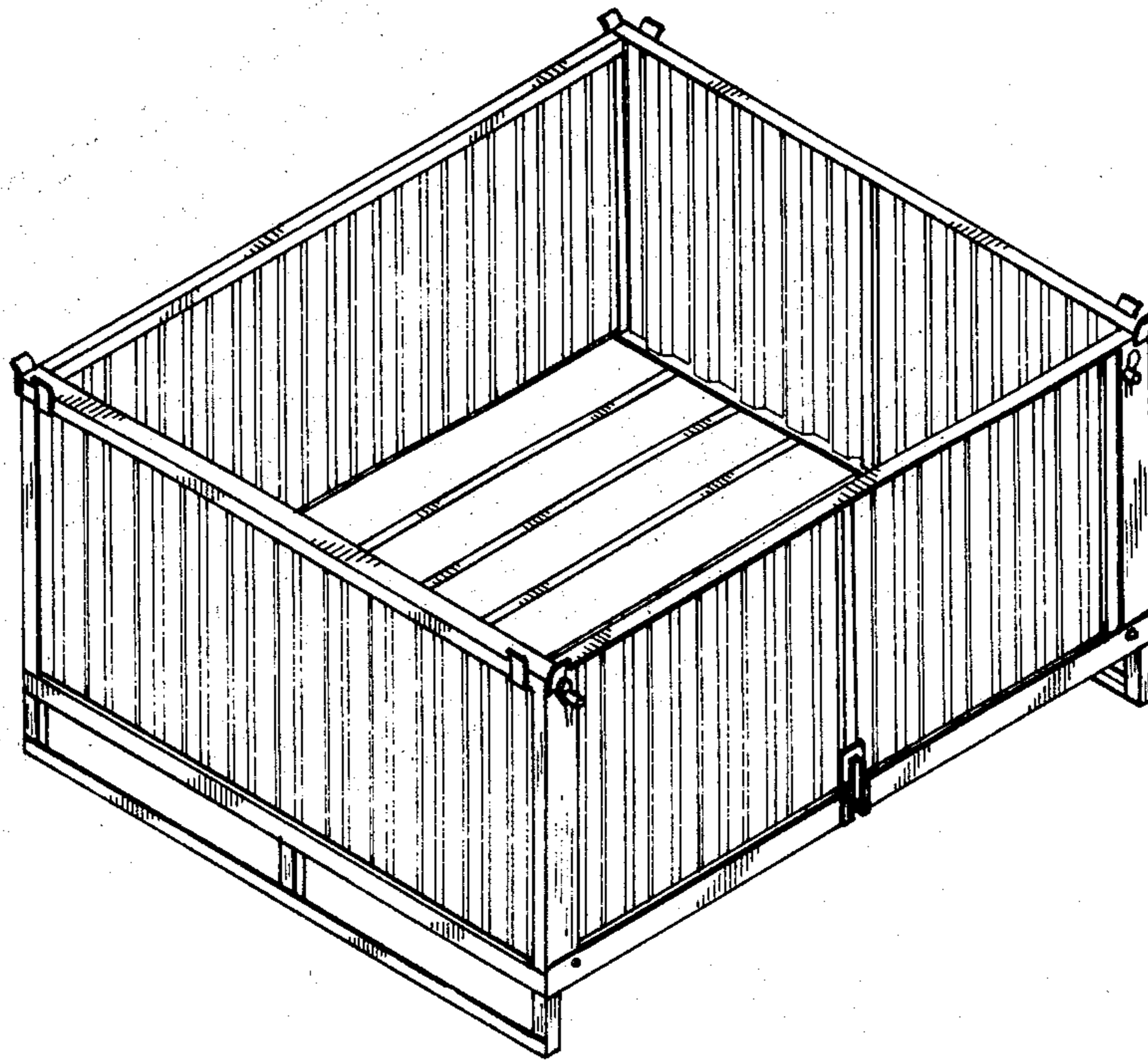
Primary Examiner—Robert C. Spangler
Attorney, Agent, or Firm—Harness, Dickey & Pierce

[57] CLAIM

The ornamental design for a collapsible storage bin, as shown.

DESCRIPTION

FIG. 1 is a top perspective view of a collapsible storage bin showing my new design;
 FIG. 2 is a similar view showing the bin in a collapsed position;
 FIG. 3 is a top plan view in an open position;
 FIG. 4 is a bottom plan view thereof;
 FIG. 5 is an enlarged, fragmentary exploded, perspective view showing a side positioning lug;
 FIG. 6 is an enlarged, fragmentary, exploded, perspective view of the corner locking arrangement; and
 FIG. 7 is an enlarged, fragmentary exploded perspective view of the hinge arrangement.



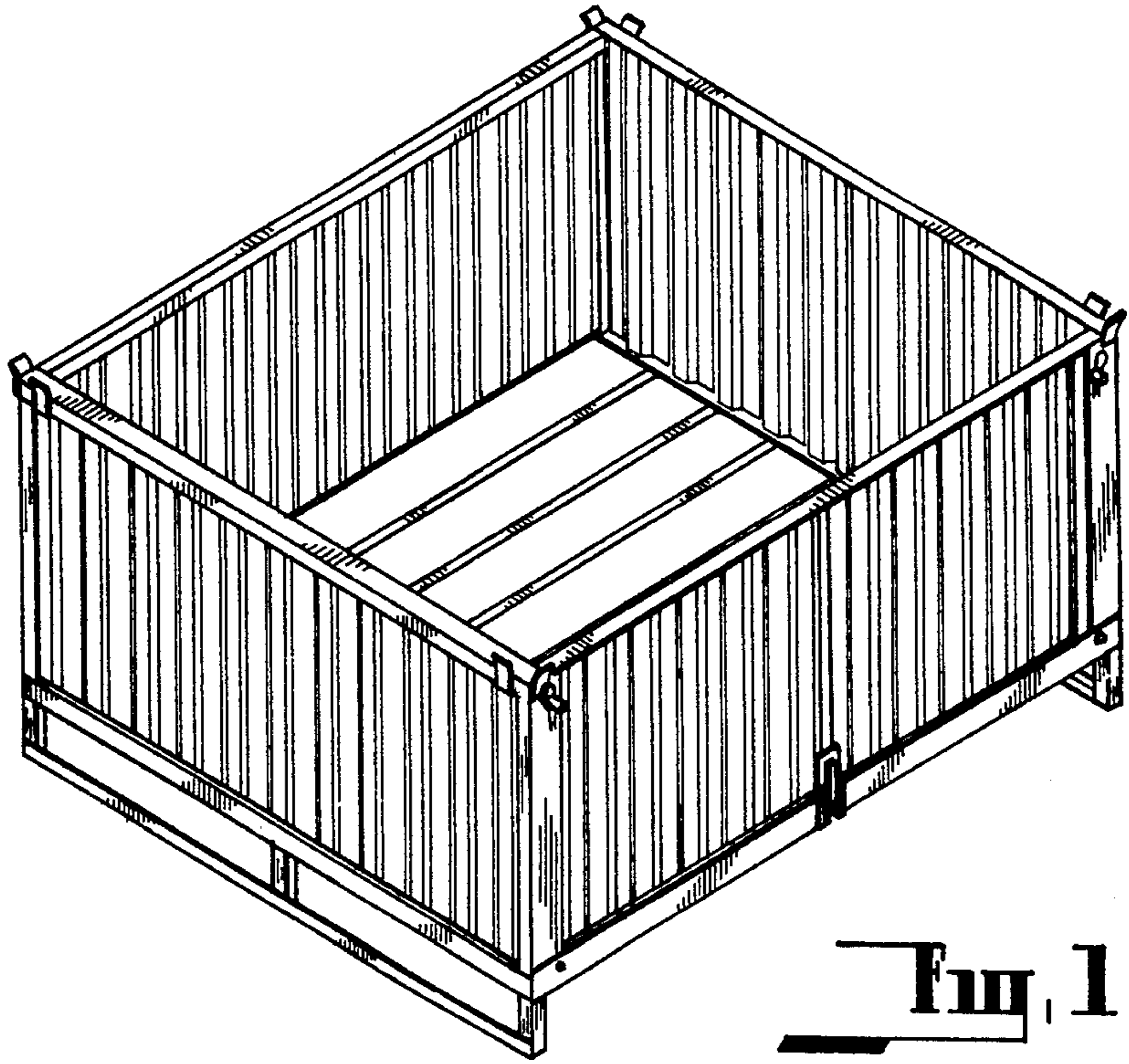


Fig. 1.

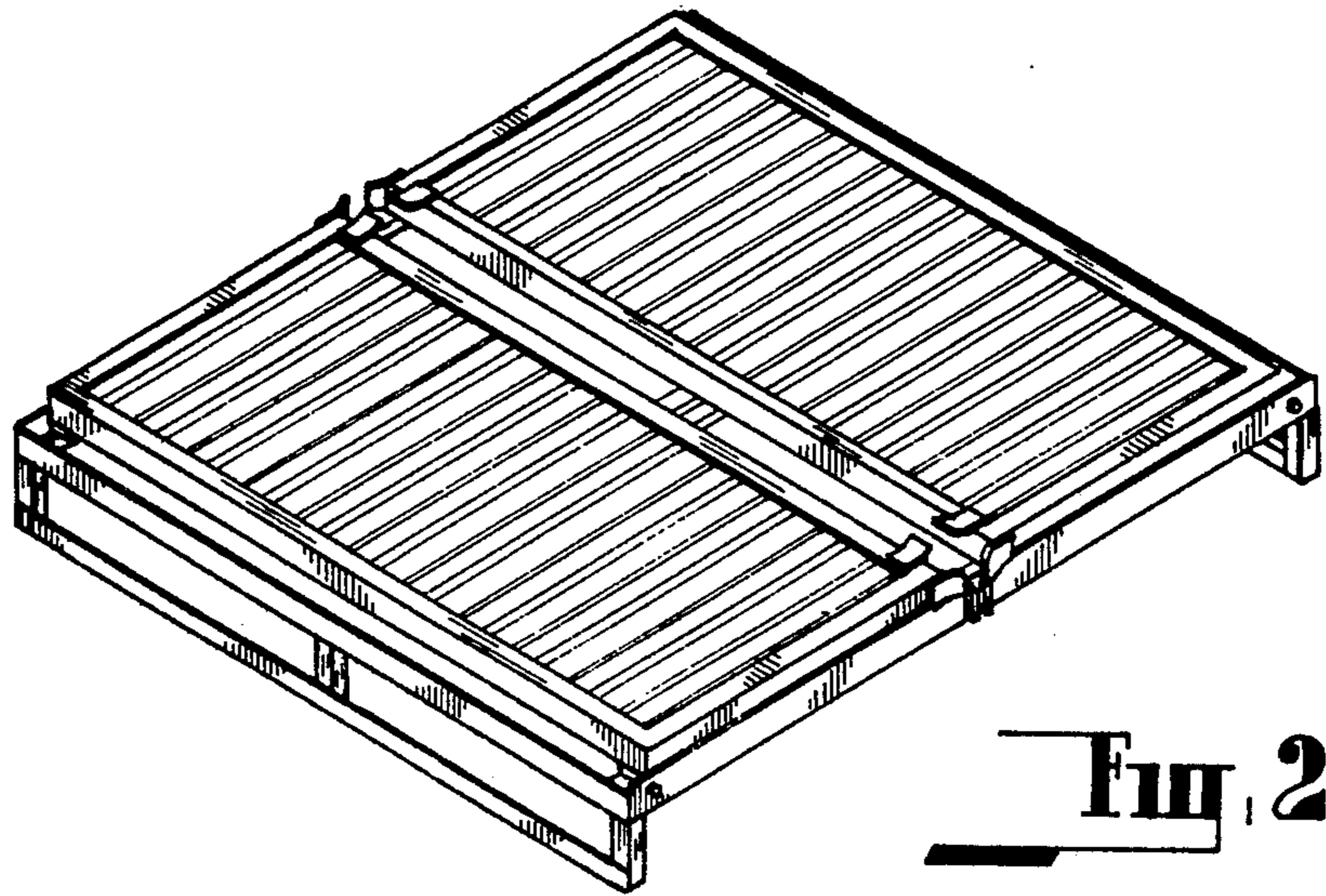


Fig. 2.

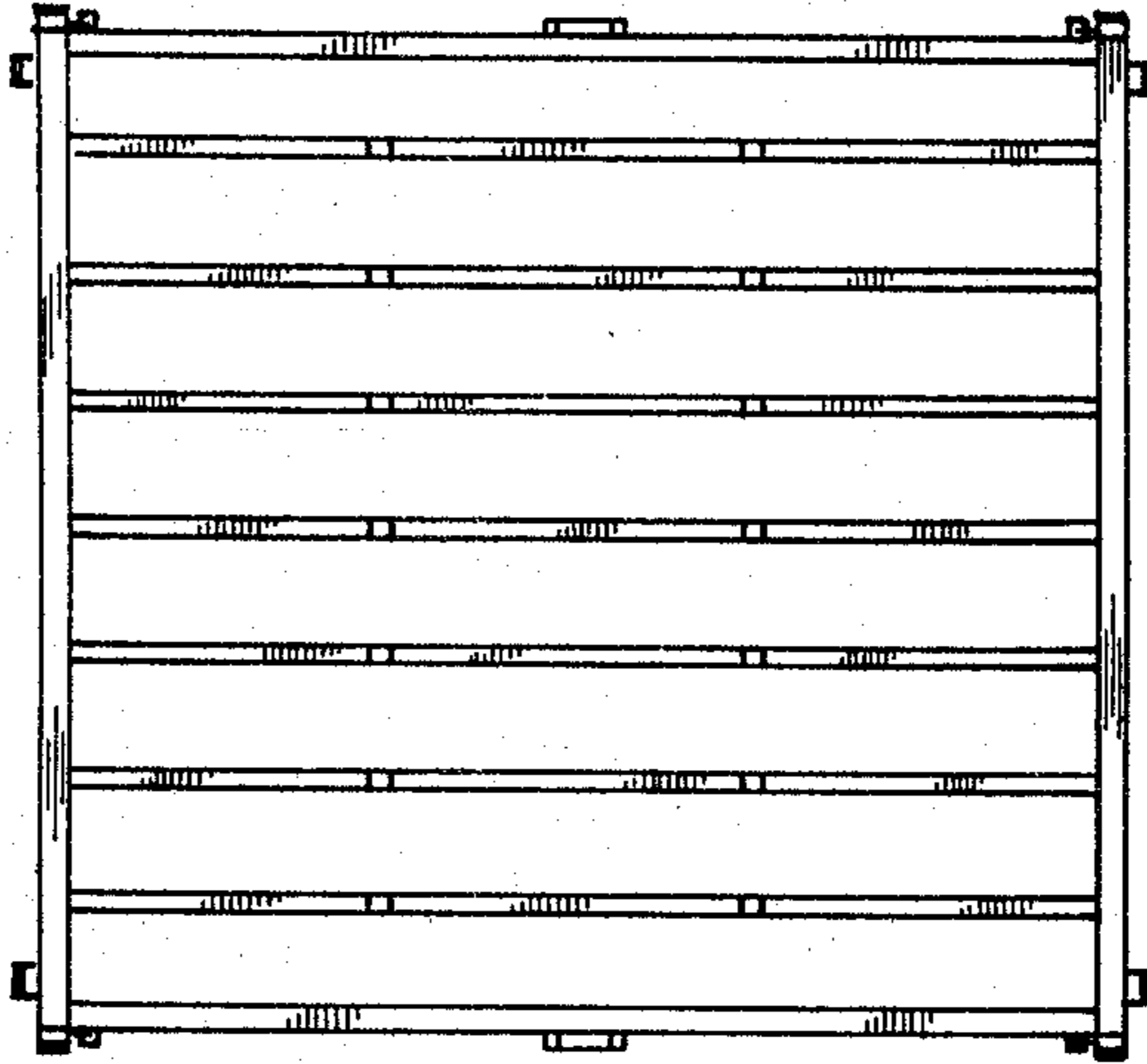


Fig. 3

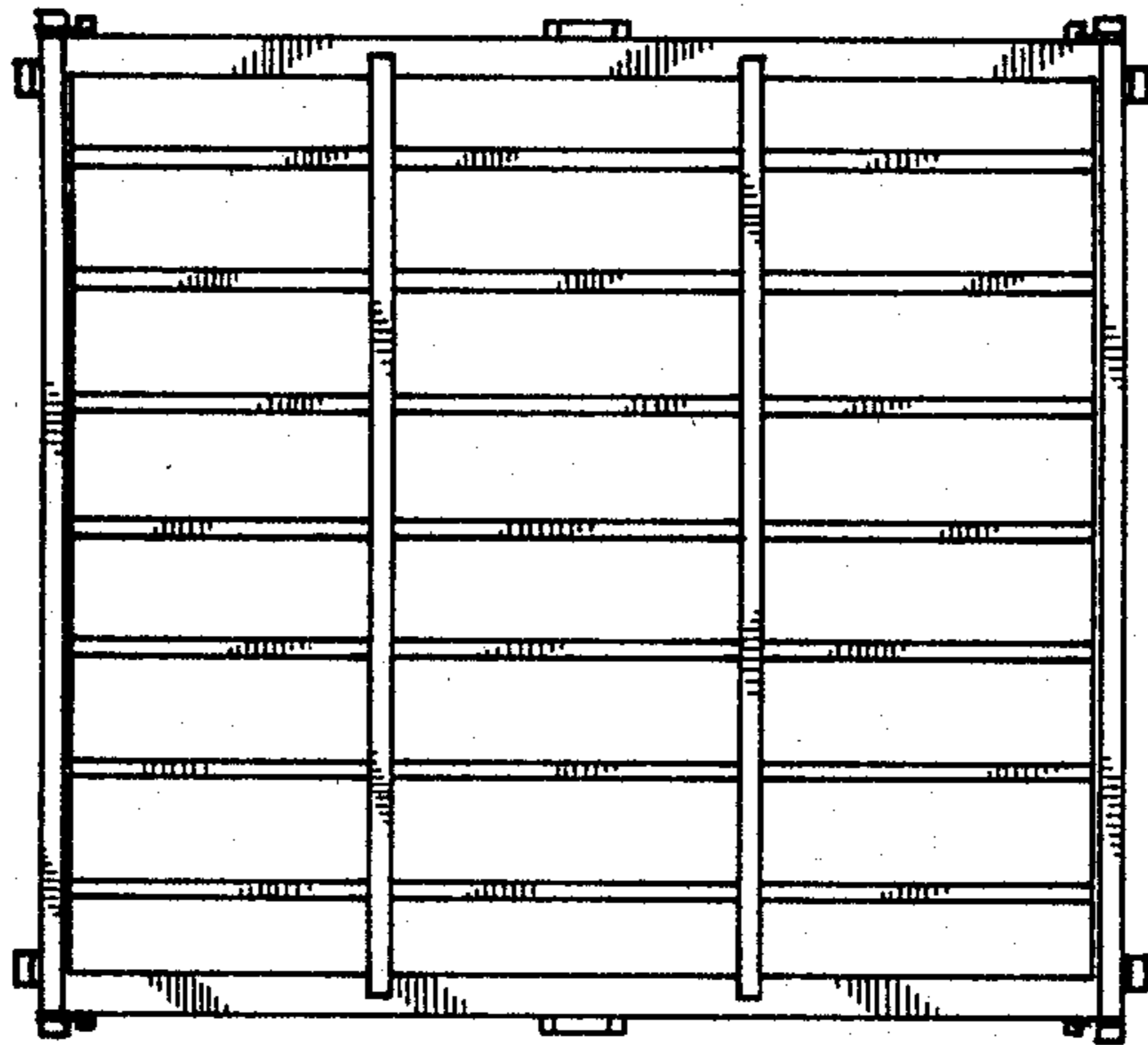
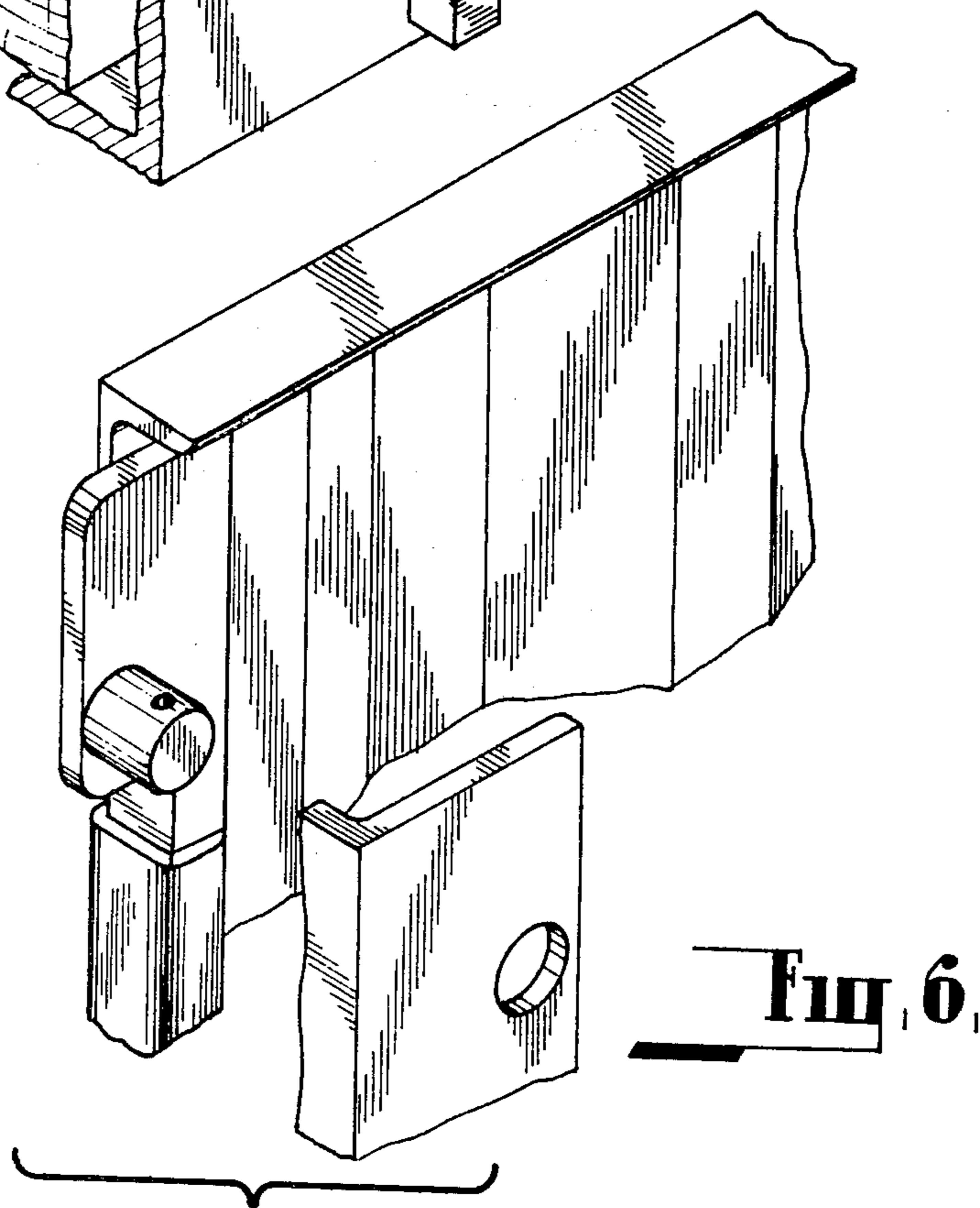
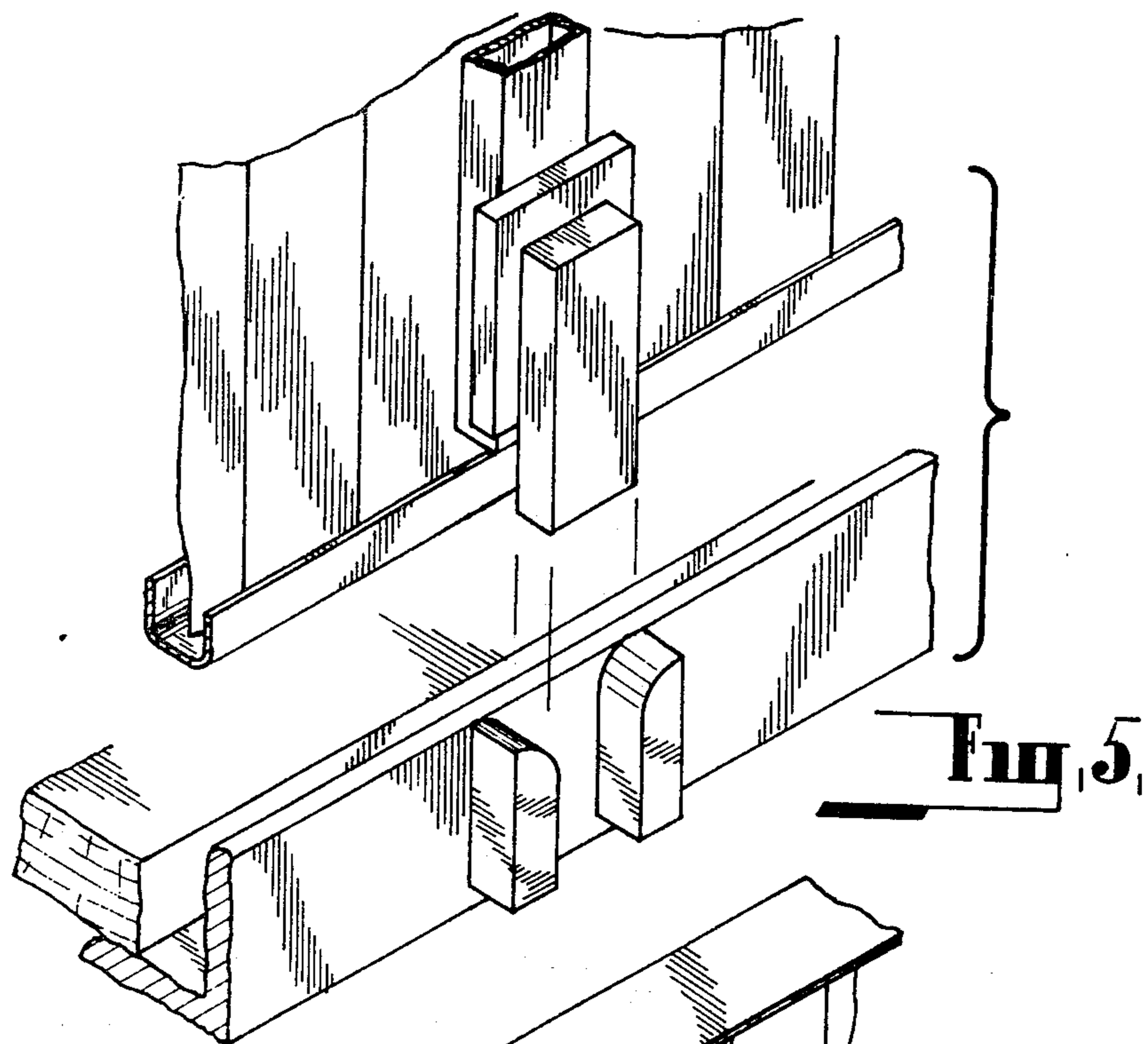


Fig. 4



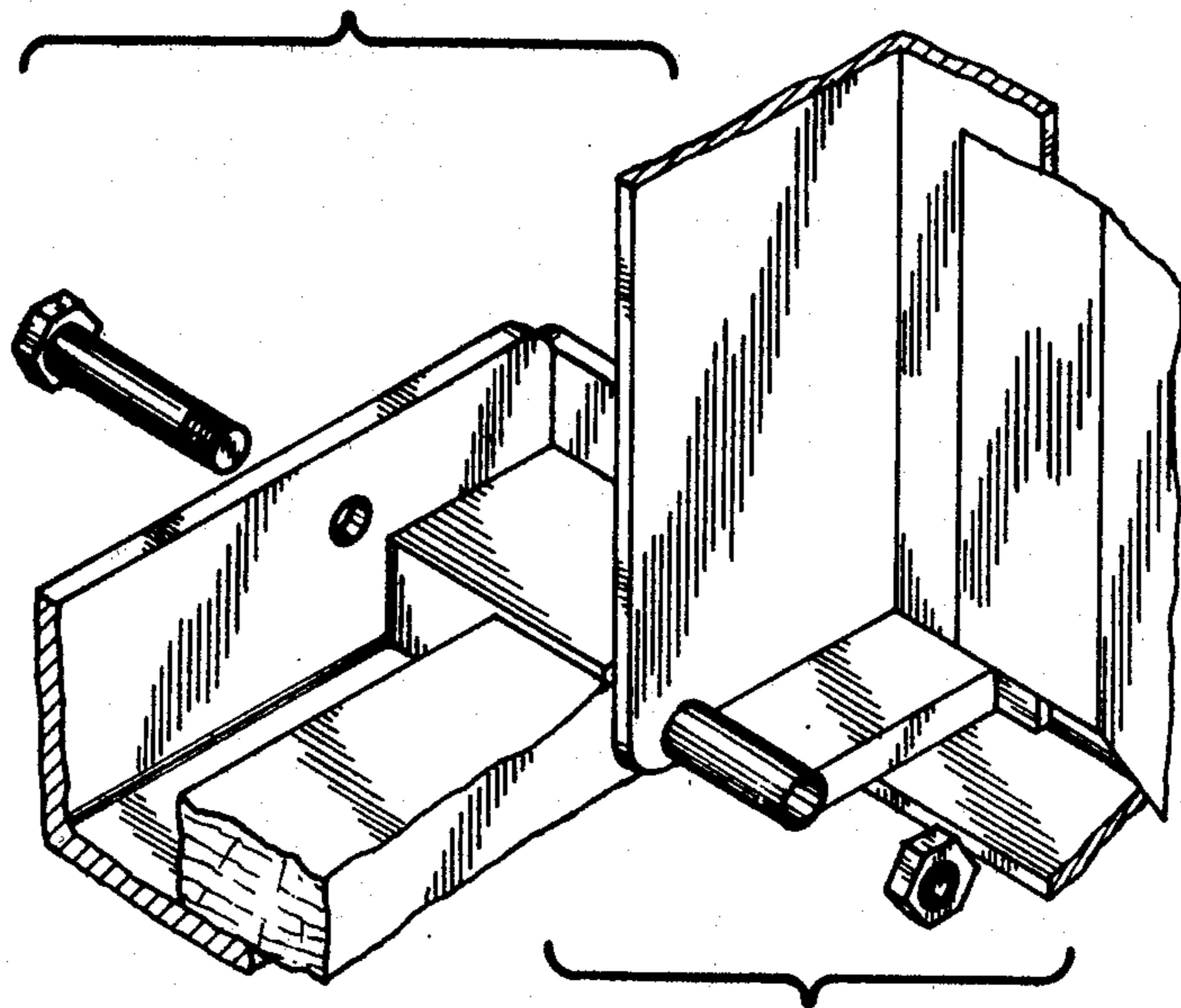


Fig. 7.