

[54] **IRON SUPPORT**

[75] **Inventor: Salvatore Mulay, Canoga Park, Calif.**

[73] **Assignee: Jacobson Products Co., San Fernando, Calif.**

[\*\*] **Term: 14 Years**

[21] **Appl. No.: 423,035**

[22] **Filed: Sep. 24, 1982**

[52] **U.S. Cl. .... D32/73**

[58] **Field of Search ..... D32/73; 38/96, 107, 38/142; 248/117.1, 117.2, 117.3, 117.4, 117.5, 117.6, 117.7**

[56] **References Cited**

**U.S. PATENT DOCUMENTS**

1,045,123	11/1912	Clisby .....	248/117.7
1,110,190	9/1914	Dodge .....	248/117.7
1,669,858	5/1928	Cameron .....	248/117.7
2,048,458	7/1936	McGhinney .....	248/117.7

2,939,667	6/1960	Elliston .....	D32/73 X
3,127,141	3/1964	Elliston .....	248/117.6

*Primary Examiner*—Catherine E. Kemper  
*Attorney, Agent, or Firm*—G. Donald Weber, Jr.

[57] **CLAIM**

The ornamental design for an iron support, as shown and described.

**DESCRIPTION**

FIG. 1 is a front elevational view of an iron support showing my new design;

FIG. 2 is a right side elevational view thereof;

FIG. 3 is a rear elevational view thereof;

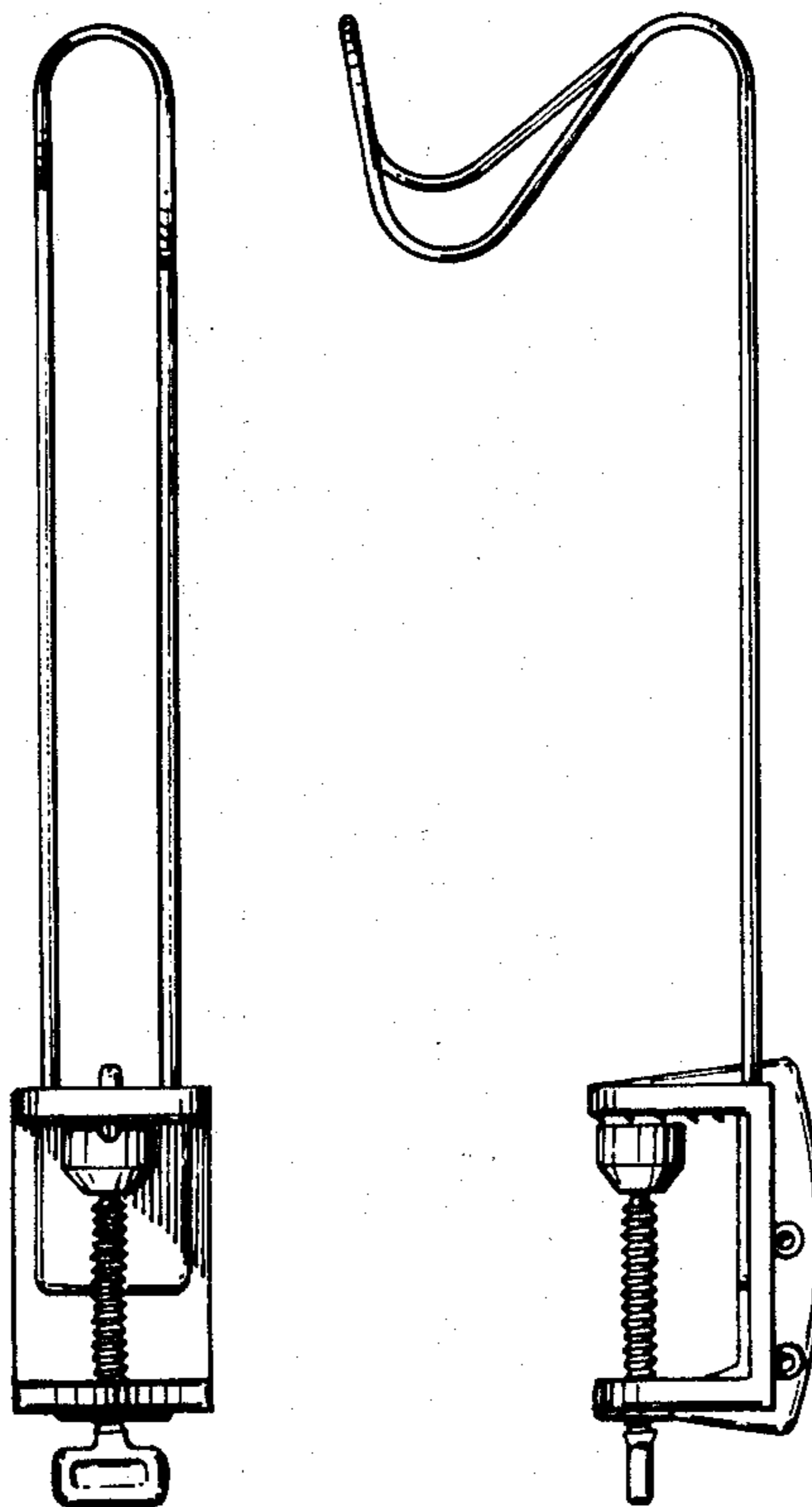
FIG. 4 is a left side elevational view thereof;

FIG. 5 is a bottom plan view thereof;

FIG. 6 is a top plan view thereof;

FIG. 7 is a rear elevational view of the iron support shown ready for storage.

Cross-reference is made to a co-pending utility application filed on even date herewith.



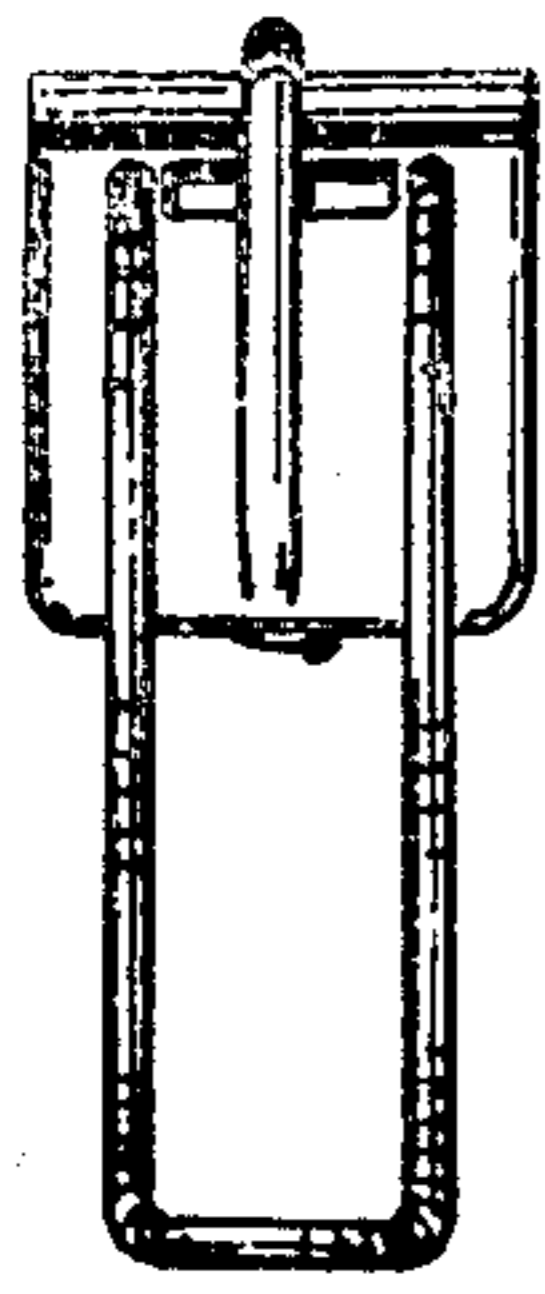


FIG. 6

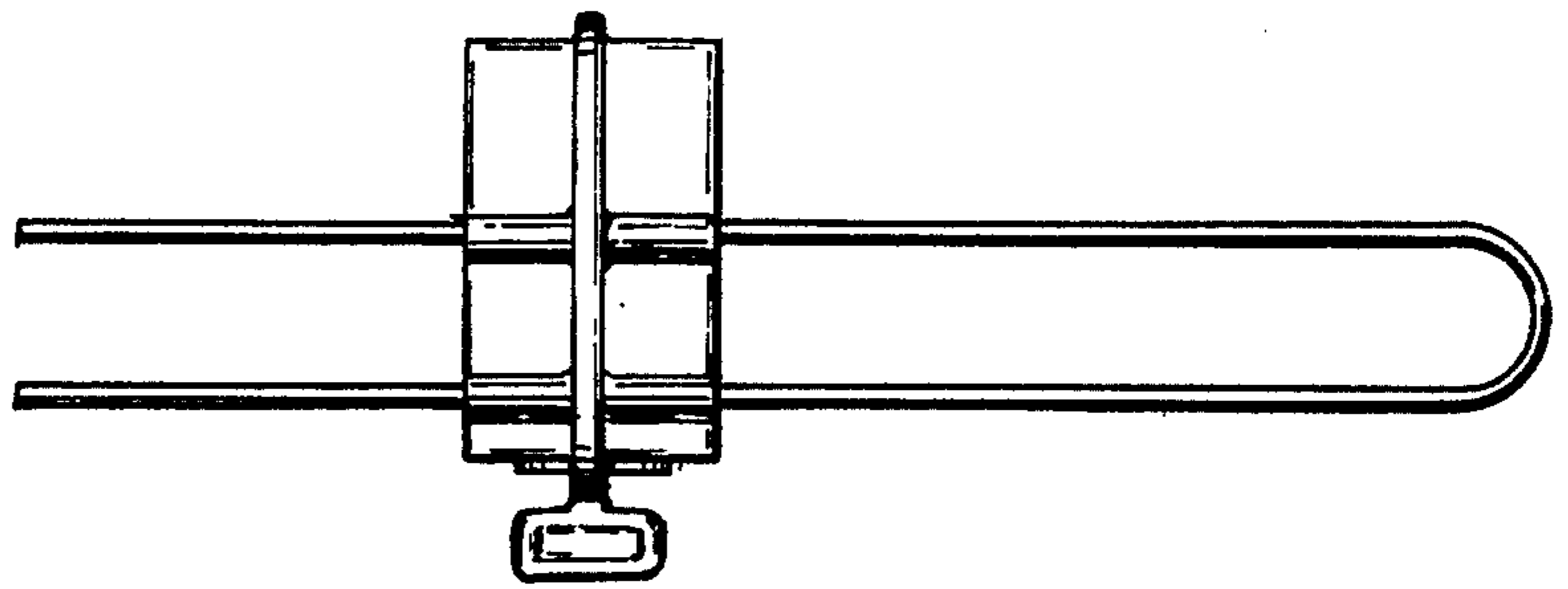


FIG. 7



FIG. 1

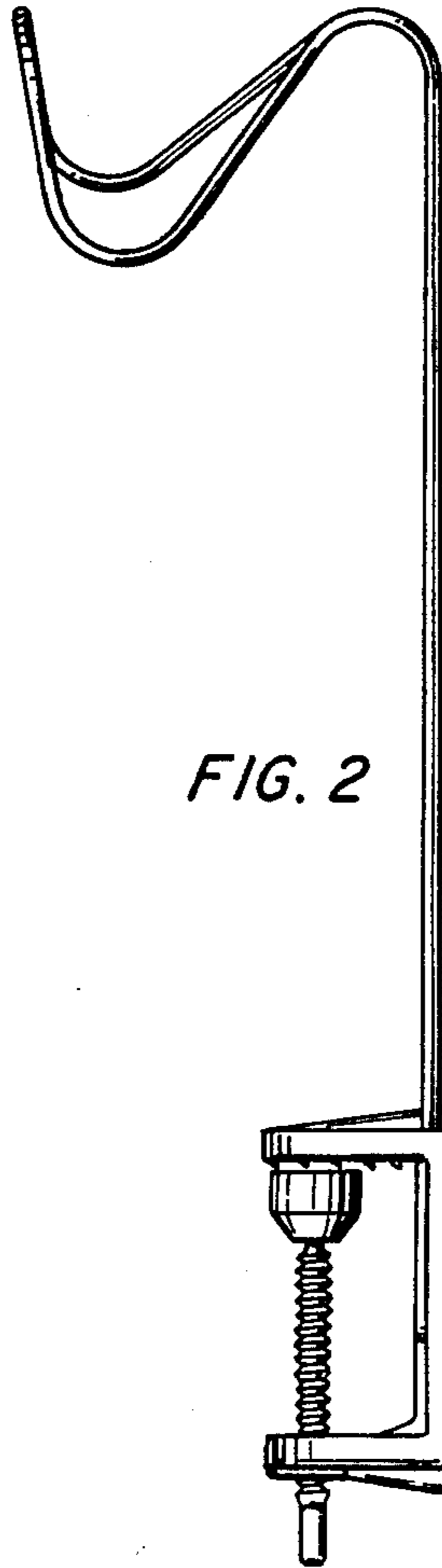


FIG. 2



FIG. 3

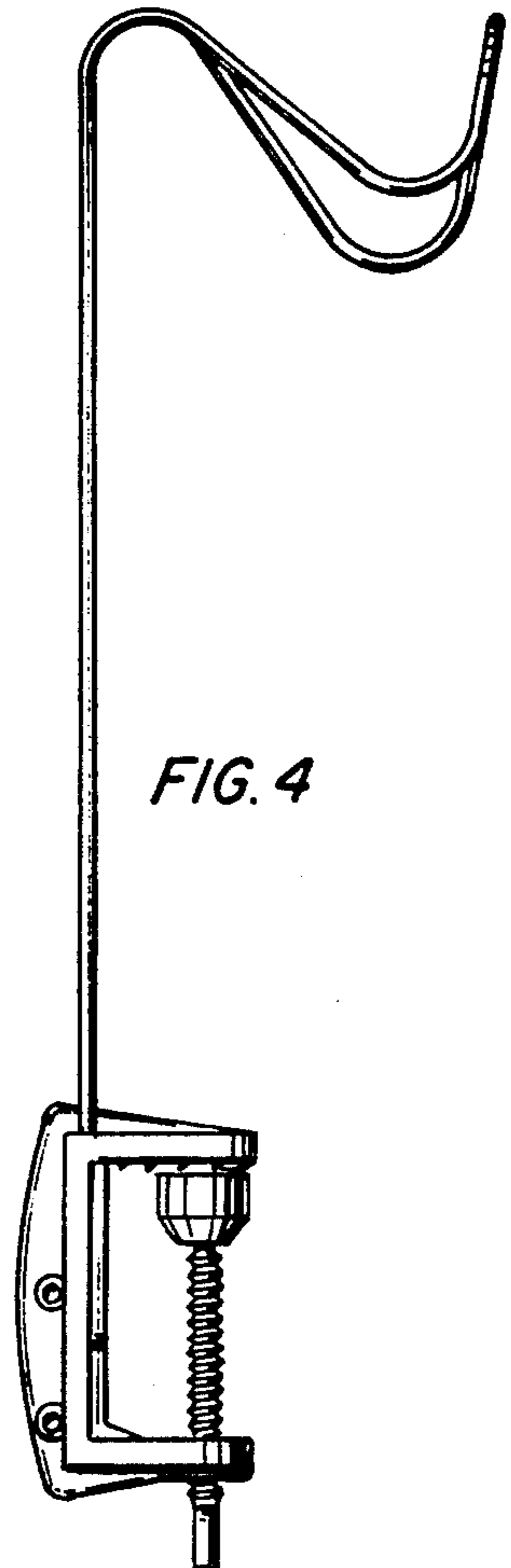


FIG. 4

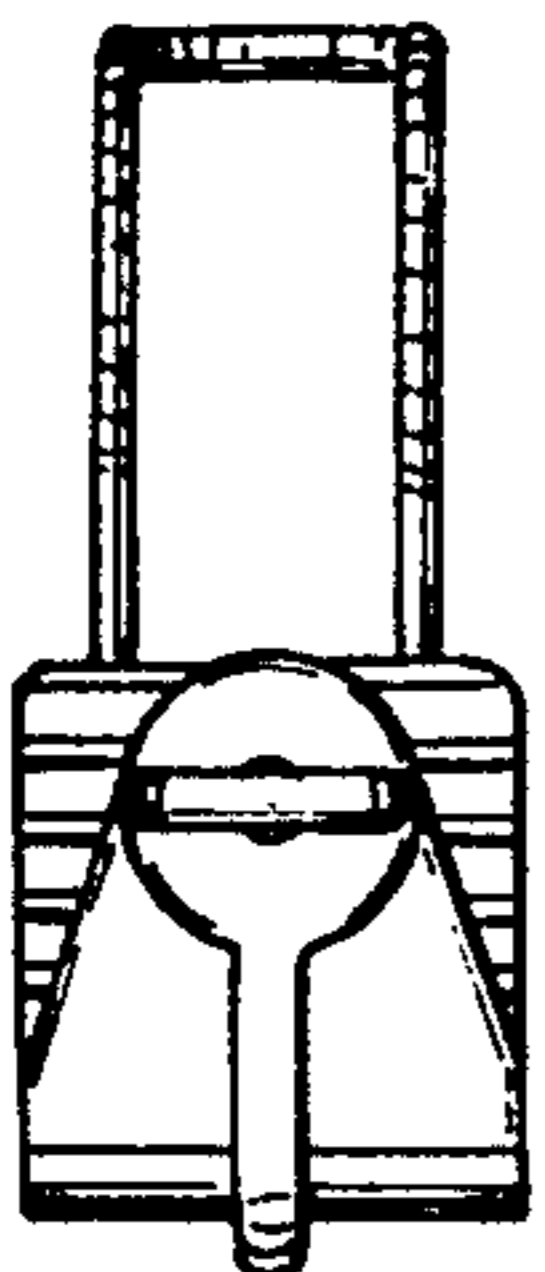


FIG. 5