

[54] COMBINED MULTIFUNCTION LAMP AND MAGNIFIER

3,500,034 3/1970 Bissell ..... 350/256 X  
4,080,052 3/1978 Levin et al. .... 362/294 X

[76] Inventors: Albert Saferstein; Gilbert Spector,  
both of 480 W. Putnam Ave.,  
Greenwich, Conn. 06830

Primary Examiner—Susan J. Lucas  
Attorney, Agent, or Firm—Sprung, Horn, Kramer &  
Woods

[\*\*] Term: 14 Years

[57] CLAIM

[21] Appl. No.: 316,451

The ornamental design for the combined multifunction lamp and magnifier, as shown and described.

[22] Filed: Oct. 29, 1981

[52] U.S. Cl. .... D26/51; D16/135;  
D26/61

[58] Field of Search ..... D26/61, 63, 24, 51;  
D16/135; 362/269, 282, 285, 427, 429, 231, 234,  
227, 235, 240; 128/23; 350/245, 246, 247, 253,  
254, 256

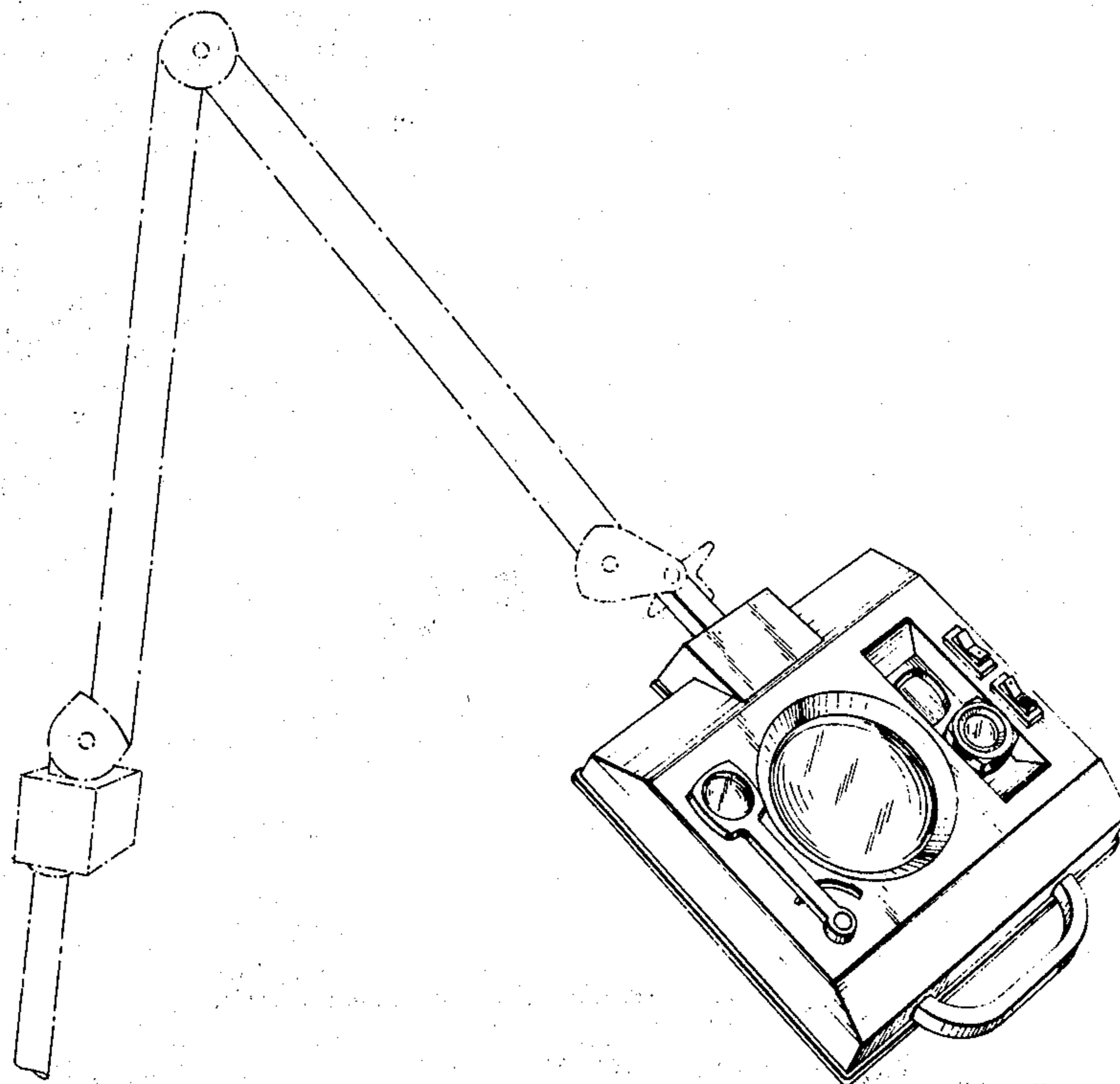
DESCRIPTION

FIG. 1 is a perspective view of a combined multifunction lamp and magnifier showing our new design, the support being shown in broken lines for illustrative purposes only;  
FIG. 2 is a right side view thereof on an enlarged scale;  
FIG. 3 is a front view thereof on an enlarged scale;  
FIG. 4 is a left side view thereof on an enlarged scale;  
FIG. 5 is a rear view thereof on an enlarged scale;  
FIG. 6 is a bottom view thereof on an enlarged scale, the pivoted magnifier being moved over the center magnifier lens.

[56] References Cited

U.S. PATENT DOCUMENTS

D. 246,047 10/1977 Zalman ..... D16/135  
2,059,197 11/1936 Backer et al. .... 350/247 X  
2,096,696 10/1937 Land ..... 350/245 X



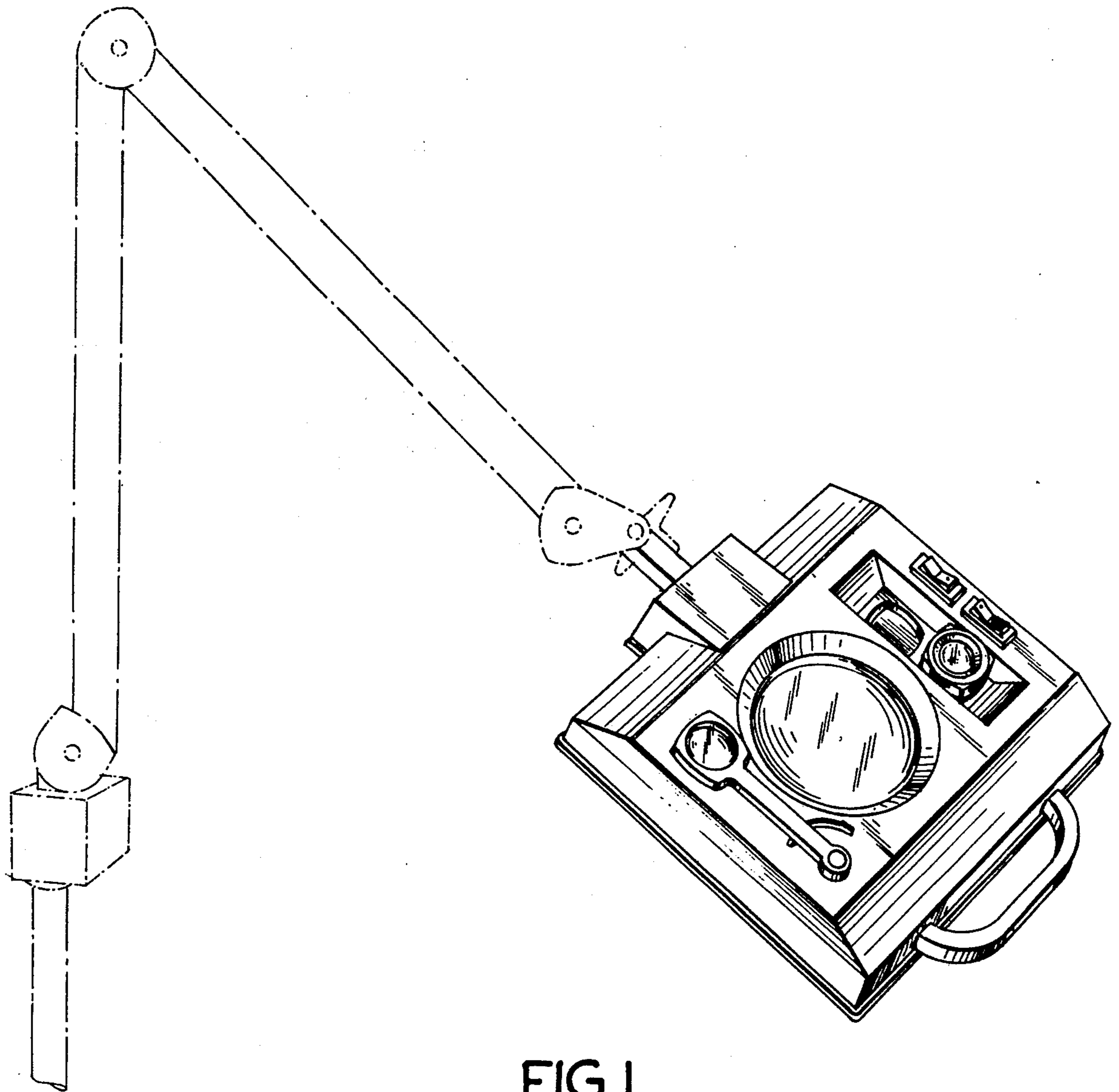


FIG. 1

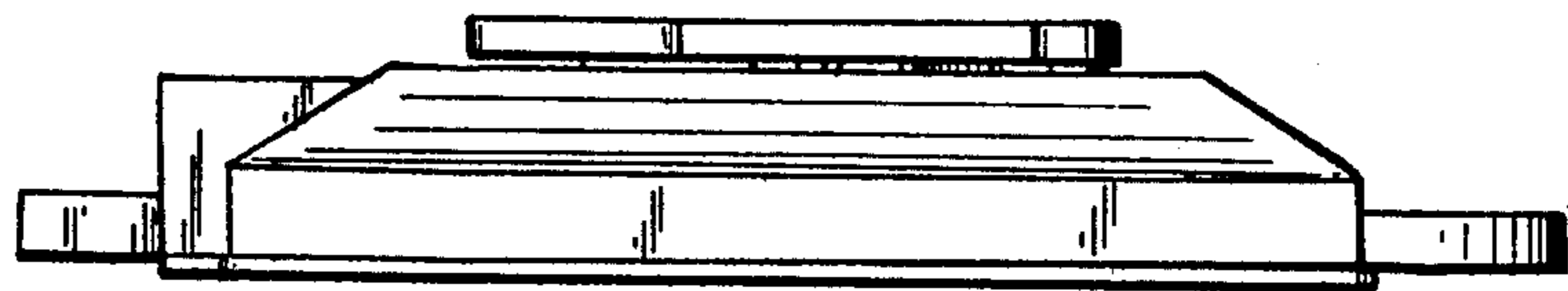


FIG. 2

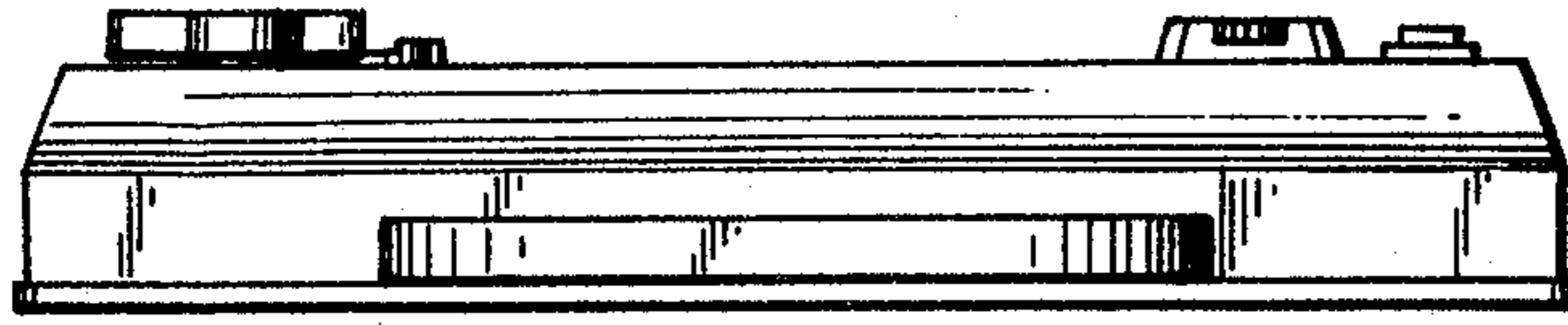


FIG. 3

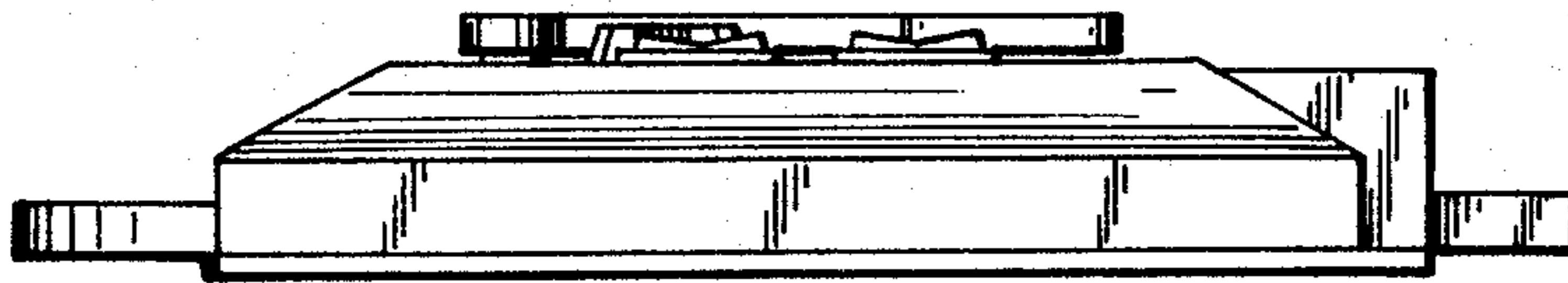


FIG. 4

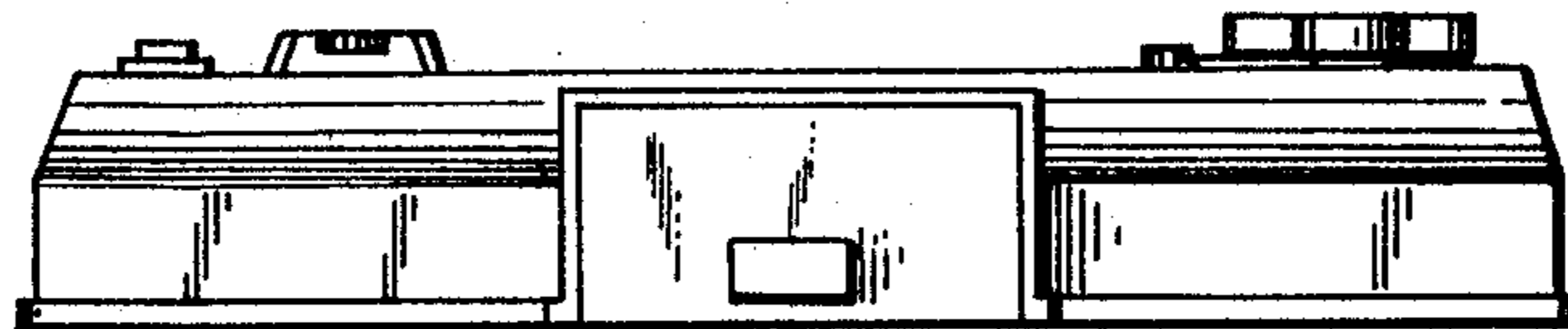


FIG. 5

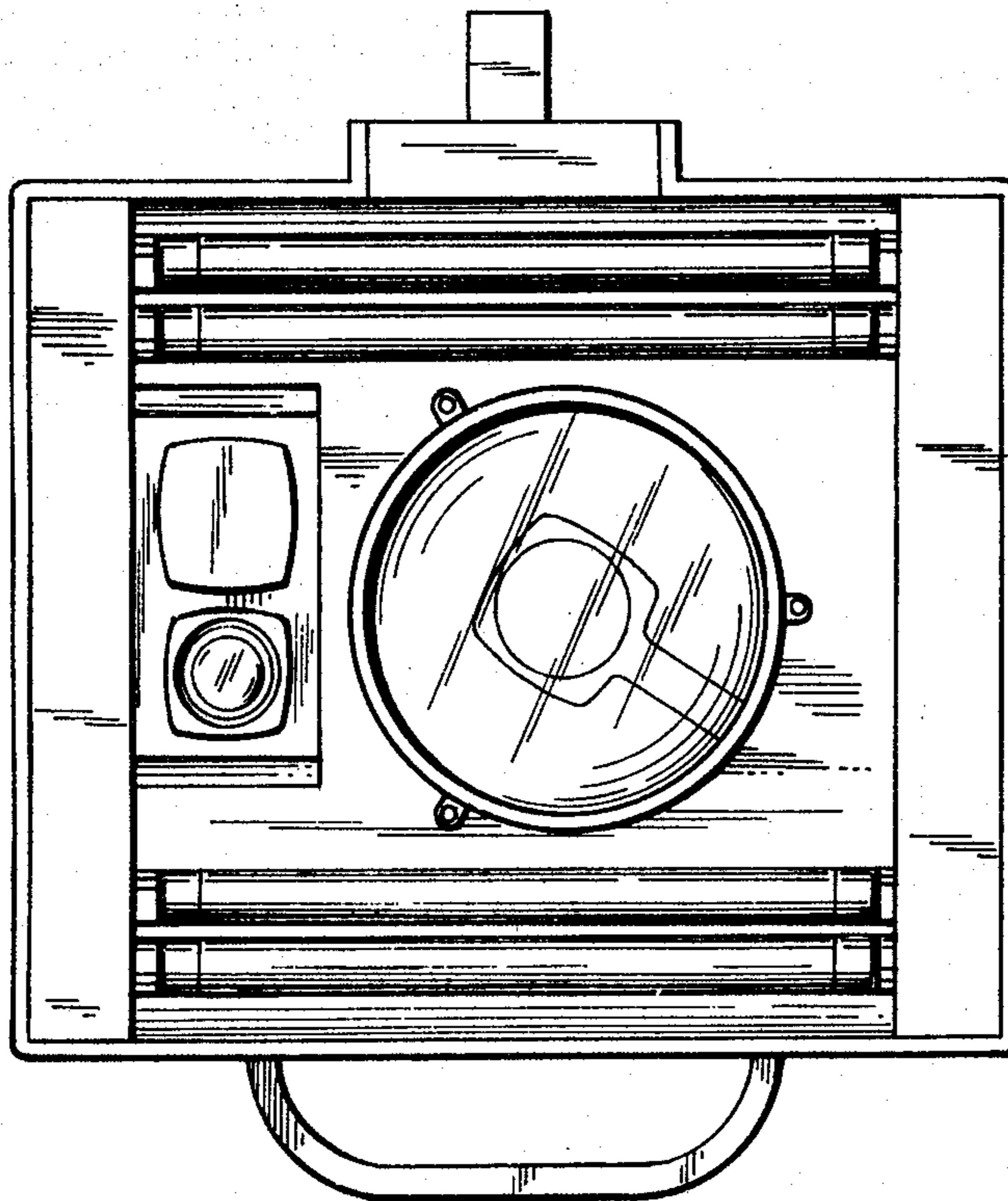


FIG. 6