

[54] CORNICE MOULD

[56] References Cited

[76] Inventor: Robert Lloyd-Jones, Unit 2,27 Sixth Ave., Sandgate, Brisbane, Australia

U.S. PATENT DOCUMENTS

1,919,300	7/1933	Lewis	D25/73 X
3,667,177	6/1972	Biela	52/287 X
3,707,061	12/1972	Collette et al.	D25/75 X
4,091,586	5/1978	Schwartz	52/287

[**] Term: 14 Years

Primary Examiner—A. Hugo Word
Attorney, Agent, or Firm—Joseph W. Farley

[21] Appl. No.: 357,610

[57] CLAIM

The ornamental design for the cornice mould, as shown and described.

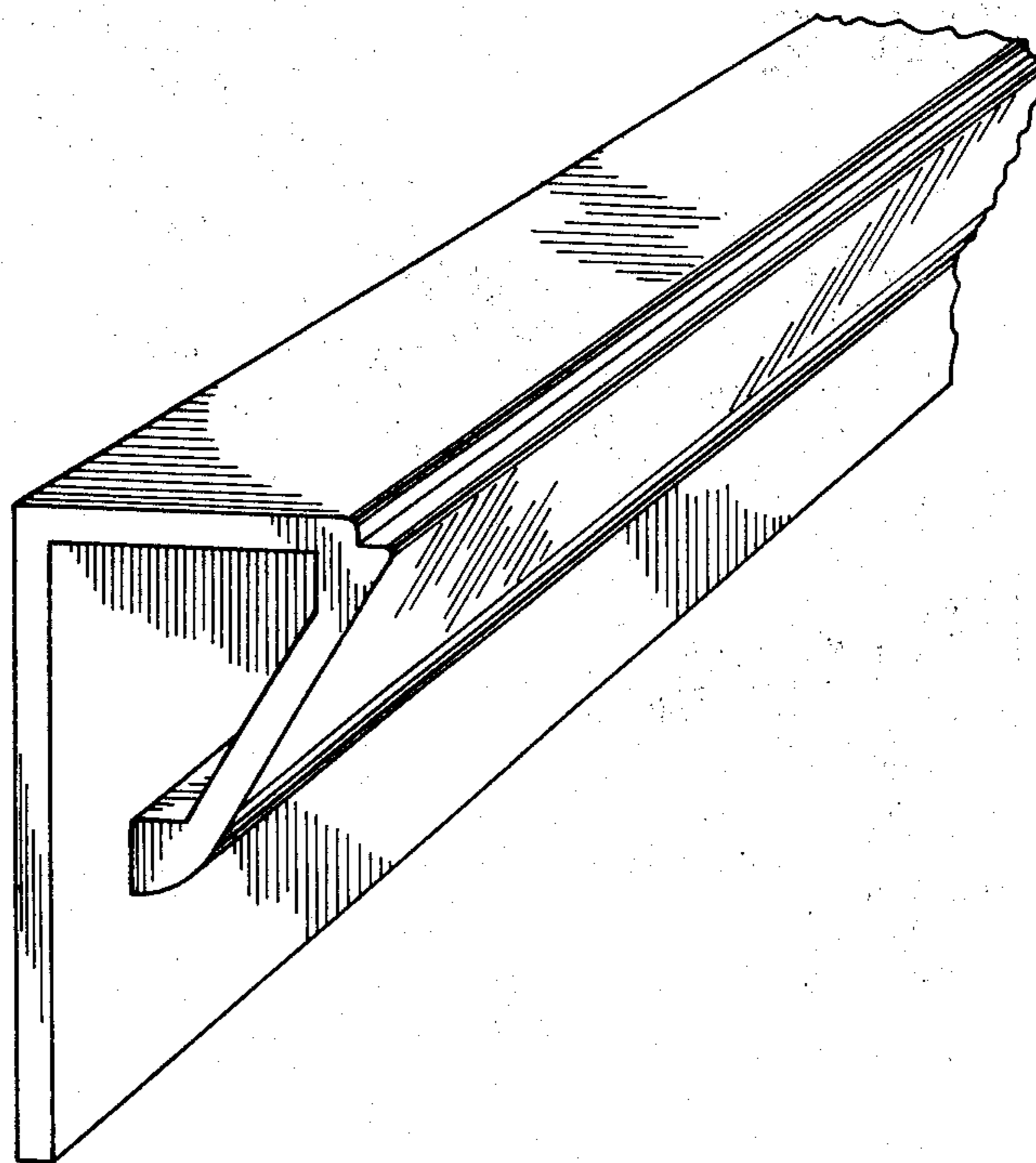
[22] Filed: Mar. 12, 1982

DESCRIPTION

[52] U.S. Cl. D25/79; D25/74

[58] Field of Search D25/73, 74, 79, 75; 52/287, 288

FIG. 1 is an end view of the cornice mould embodying my design;
FIG. 2 is a perspective view from above of the cornice mould as shown in FIG. 1.



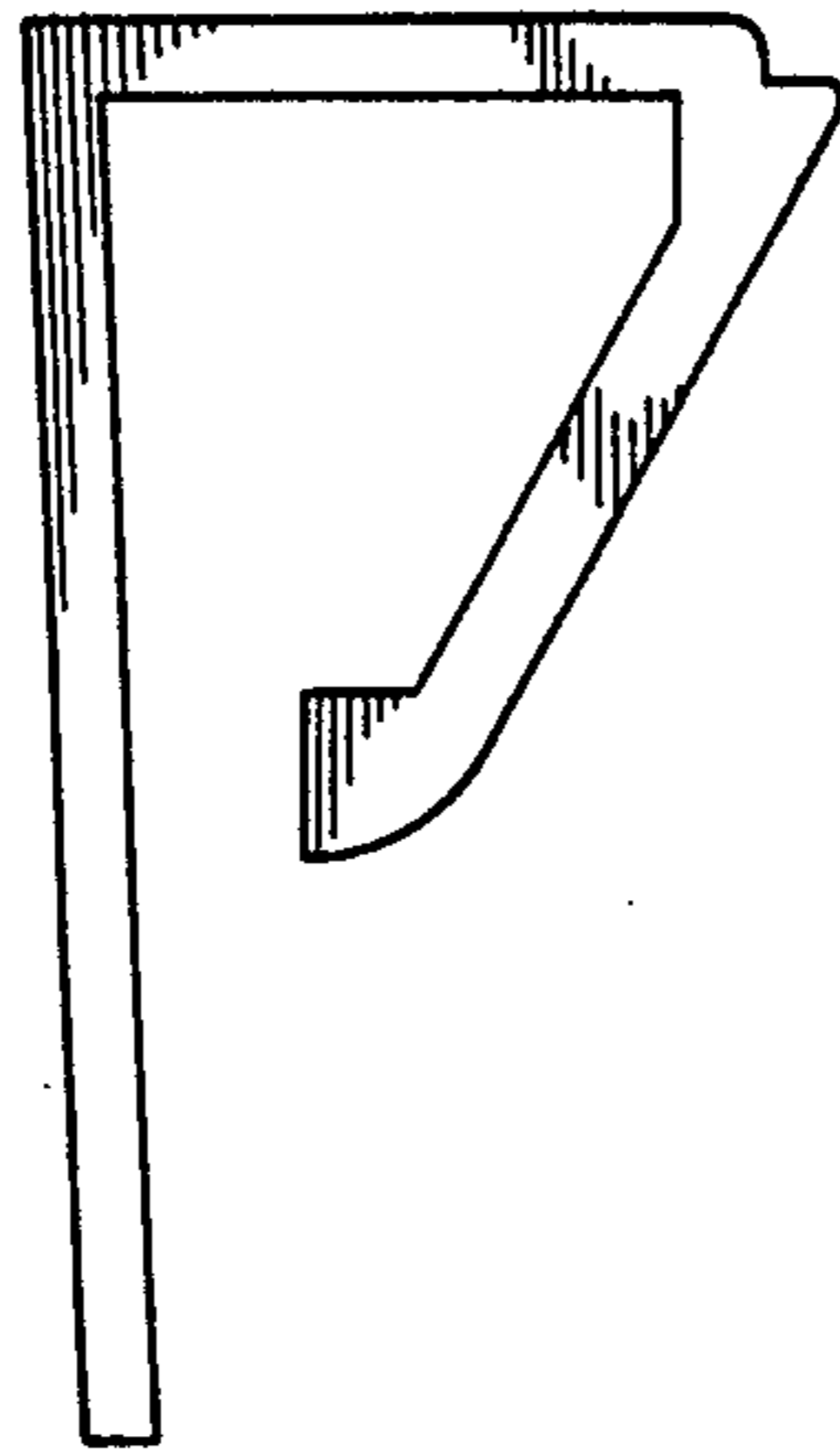


FIG. 1

FIG. 2

