

[54] SKIMMER FOR HYDROTHERAPY SPA

[75] Inventor: Gerald C. Fishel, Anaheim, Calif.

[73] Assignee: Gerico Fiberglass Products, Inc.

[**] Term: 14 Years

[21] Appl. No.: 498,179

[22] Filed: May 26, 1983

Related U.S. Application Data

[63] Continuation-in-part of Ser. No. 211,056, Nov. 28, 1980, abandoned, and a continuation-in-part of Ser. No. 175,965, Aug. 7, 1980, abandoned.

[52] U.S. Cl. D24/38; D25/02

[58] Field of Search 4/490, 489, 542; D16/133; 210/169, 121; D25/02; D23/55

[56] References Cited

U.S. PATENT DOCUMENTS

D. 241,680	9/1976	Huckenbeck	D16/133
D. 245,081	7/1977	Gerdorn	D16/133
3,036,712	5/1962	Barbara	210/169
3,186,550	6/1965	Beduhn	210/169
3,268,079	8/1966	Sharrow, Jr.	210/169
3,428,178	2/1969	Nash	210/121
3,567,020	3/1971	Whitaker	210/121 X
3,616,916	11/1971	Greene	210/121
3,633,749	1/1972	Panosh	210/121
3,774,767	11/1973	Field	210/169
4,068,327	1/1978	Heinlein	4/172.15
4,126,925	11/1978	Jacuzzi	29/428
4,154,679	5/1979	Farage	210/169 X
4,233,694	11/1980	Janosko et al.	210/169 X

4,300,246 11/1981 Gould 4/490

OTHER PUBLICATIONS

"Automatic Skimmer-Parts and Operating Instructions", by Gerico Fiberglass Products, Inc., Aug. 27, 1971.

Primary Examiner—Bernard Ansher
Attorney, Agent, or Firm—Knobbe, Martens, et al.

[57] CLAIM

The ornamental design for a skimmer for hydrotherapy spa, as shown and described.

DESCRIPTION

FIG. 1 is an enlarged top front perspective view of a skimmer for a hydrotherapy spa, showing my new design;

FIG. 2 is a top perspective view thereof mounted in a hydrotherapy spa;

FIG. 3 is an enlarged top plan view of the skimmer;

FIG. 4 is an enlarged top front perspective view of a modified embodiment of the skimmer illustrated in FIG. 1;

FIG. 5 is a top perspective view thereof, mounted in a hydrotherapy spa;

FIG. 6 is an enlarged top plan view of the skimmer;

FIG. 7 is an enlarged top front perspective view of another modified embodiment of the skimmer illustrated in FIG. 1;

FIG. 8 is a top perspective view thereof, mounted in a hydrotherapy spa; and

FIG. 9 is an enlarged top plan view of the skimmer.

The broken lines representing the hydrotherapy spa are shown for illustrative purposes only.

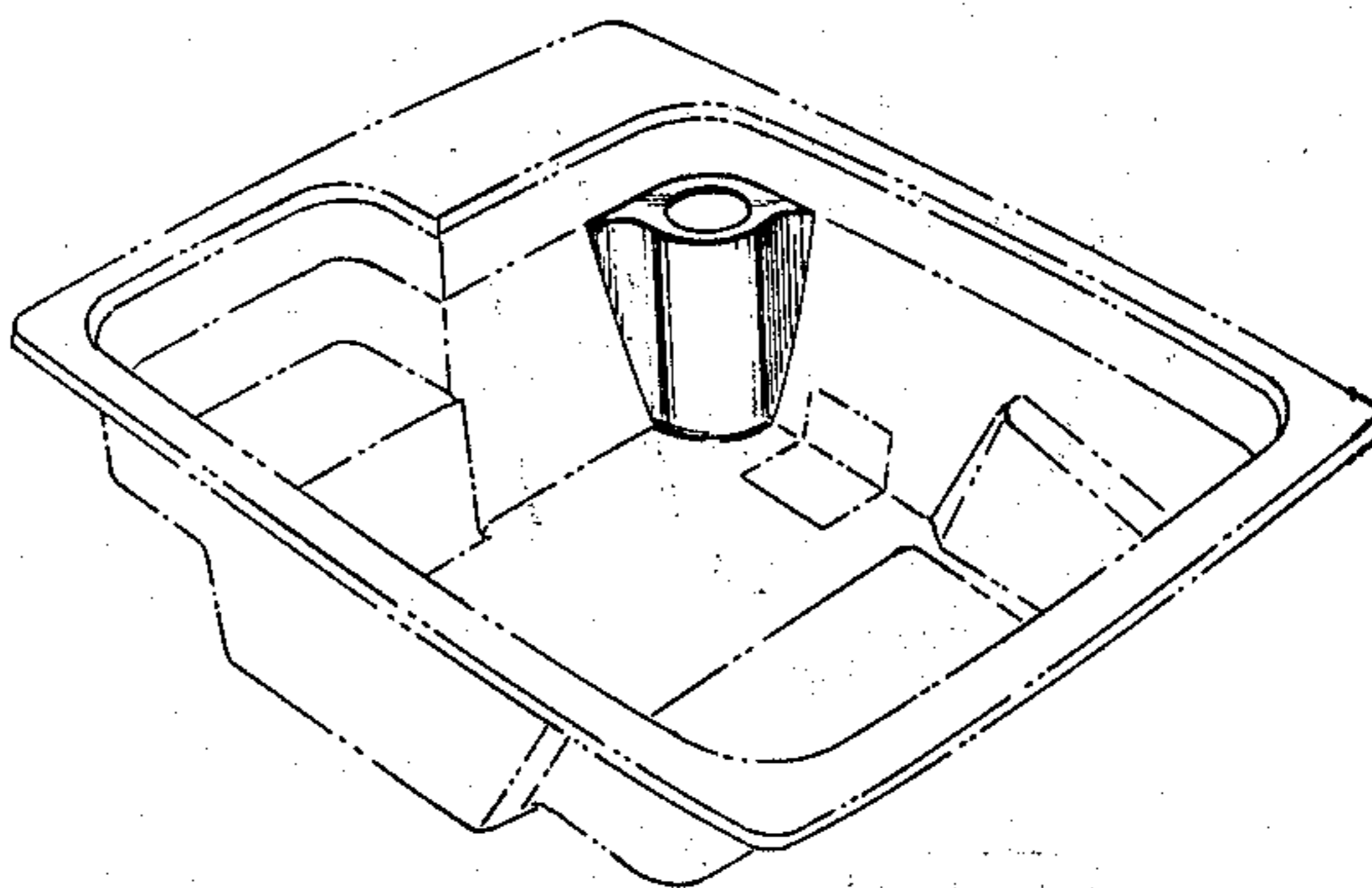
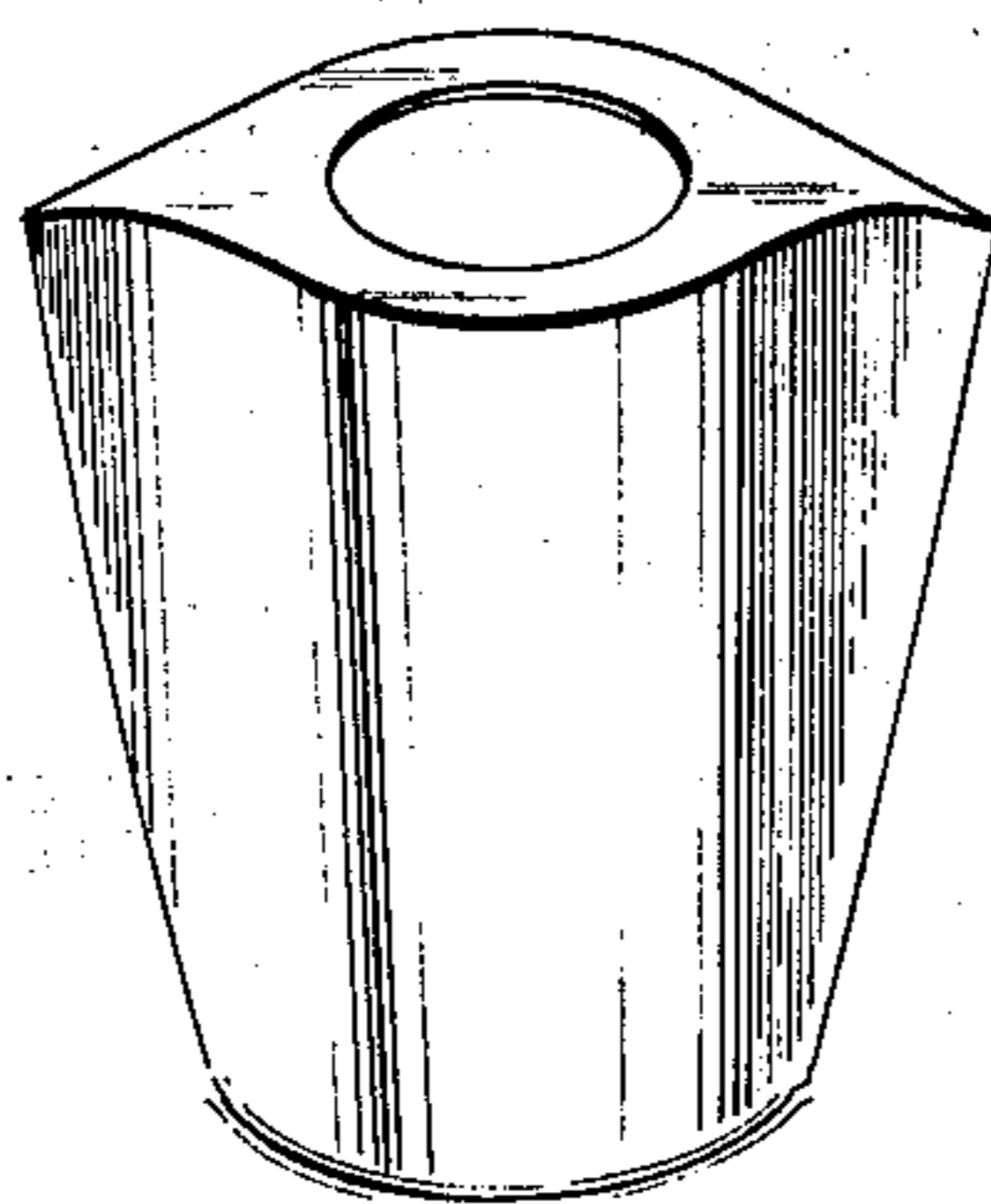


Fig. 1

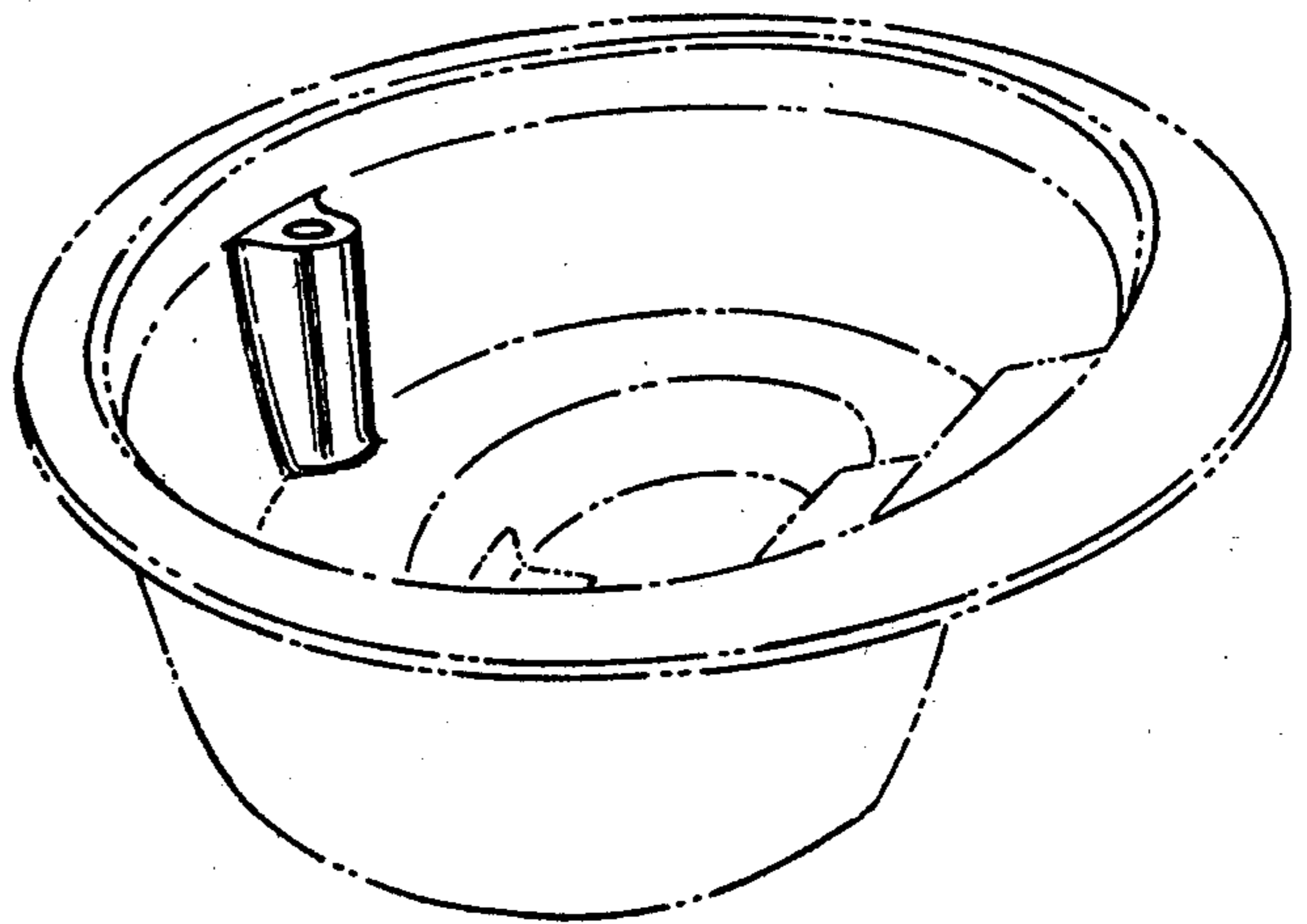
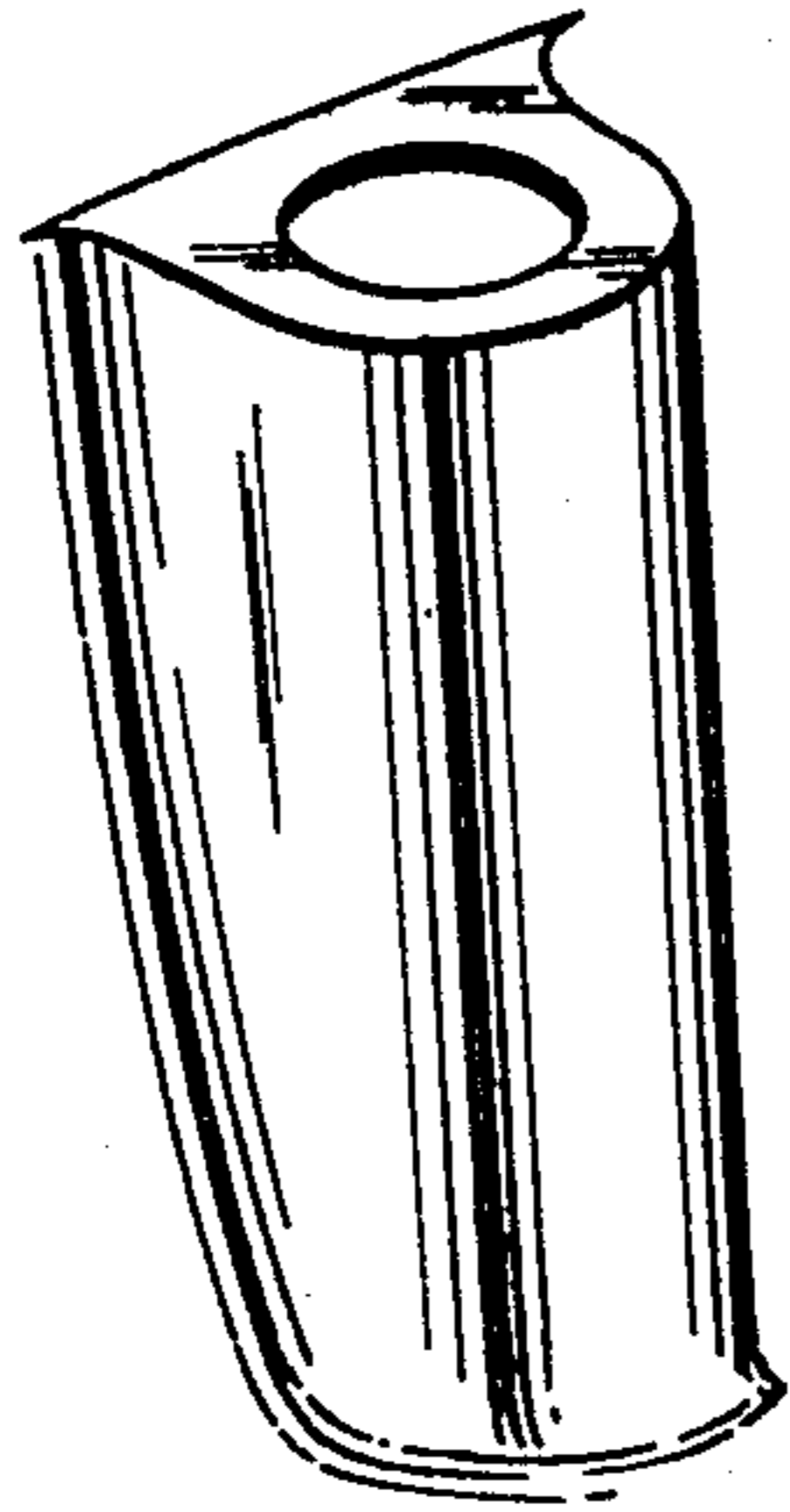


Fig. 2

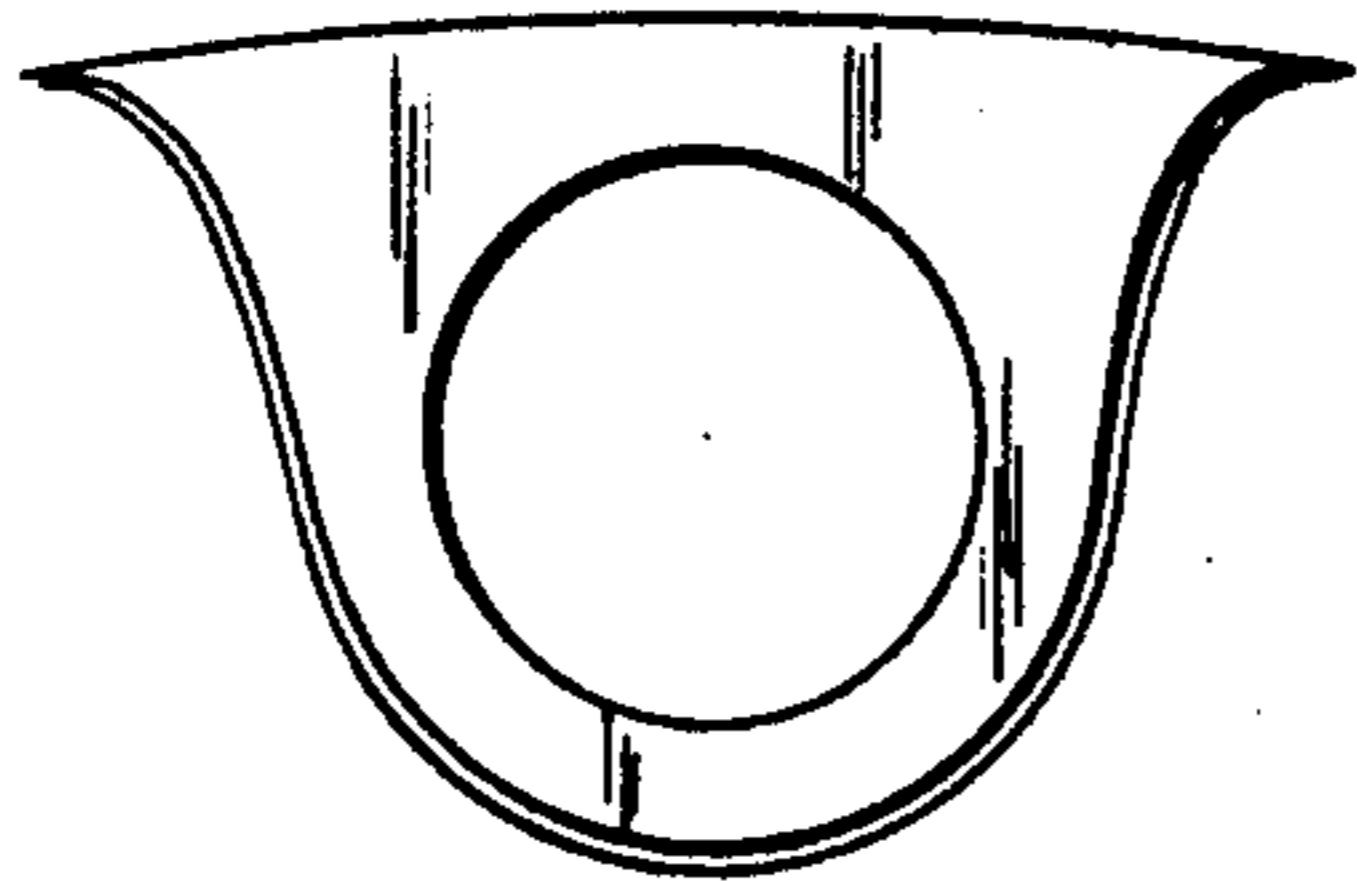


Fig. 3

Fig. 4

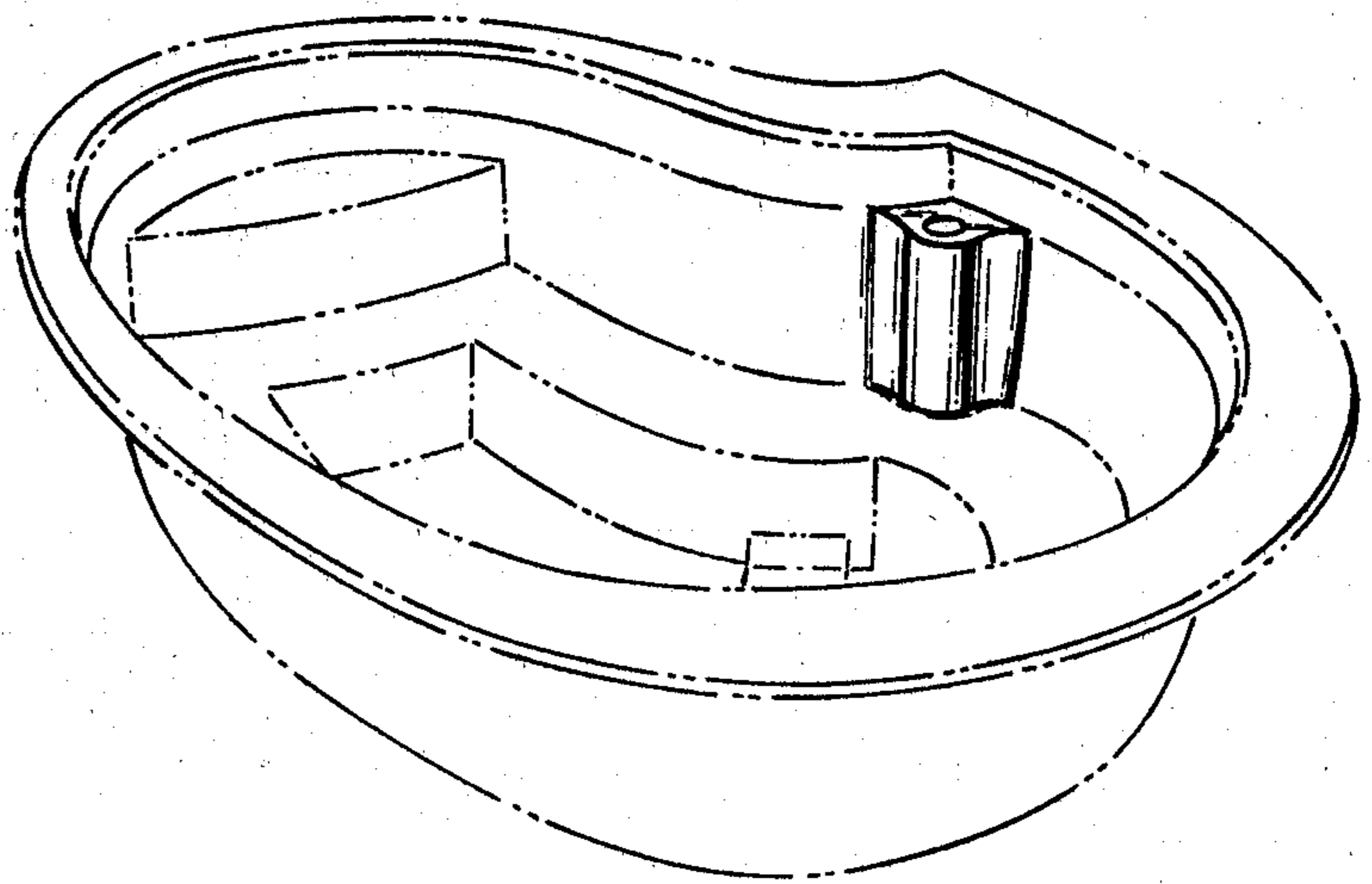
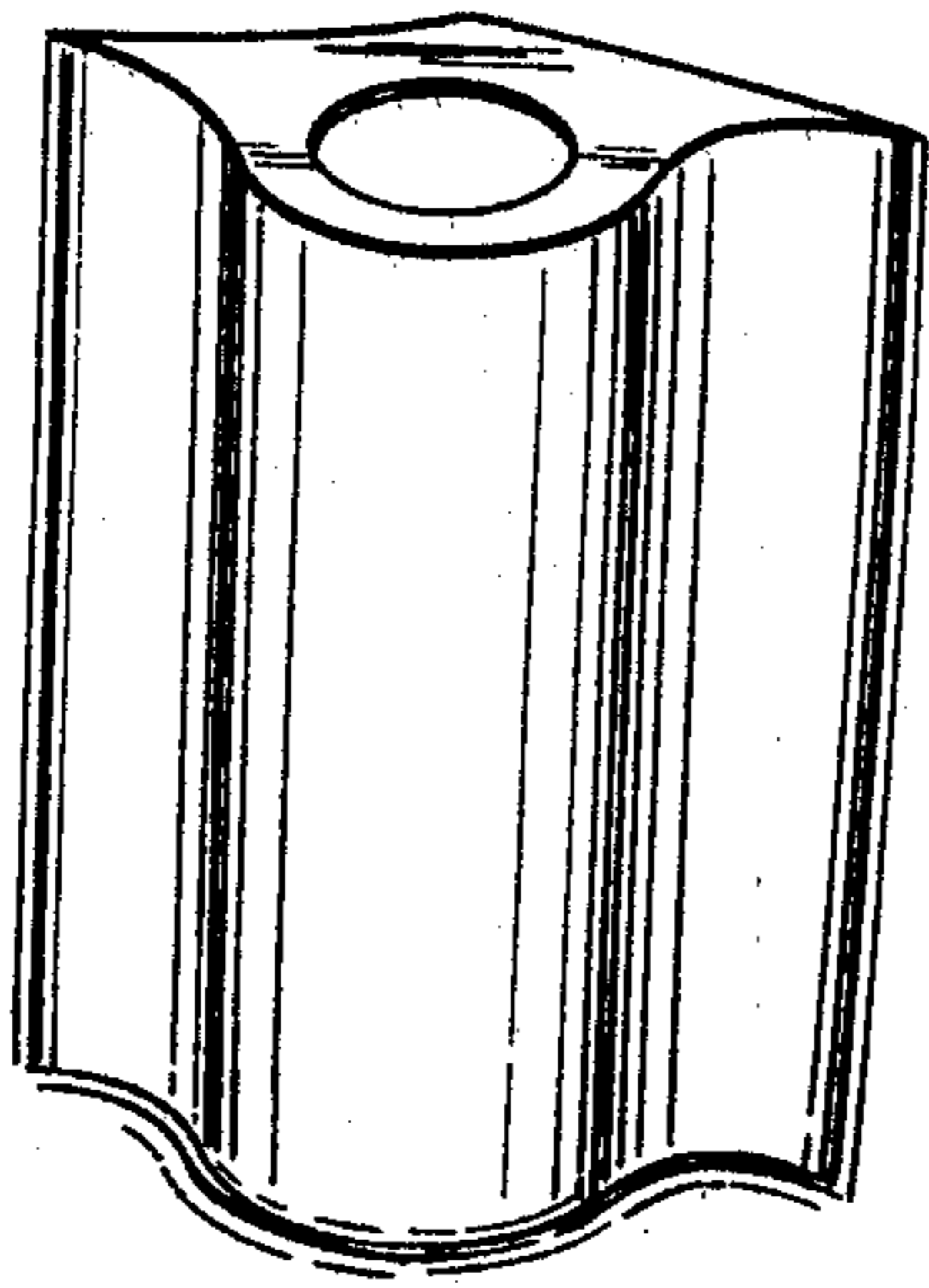


Fig. 5

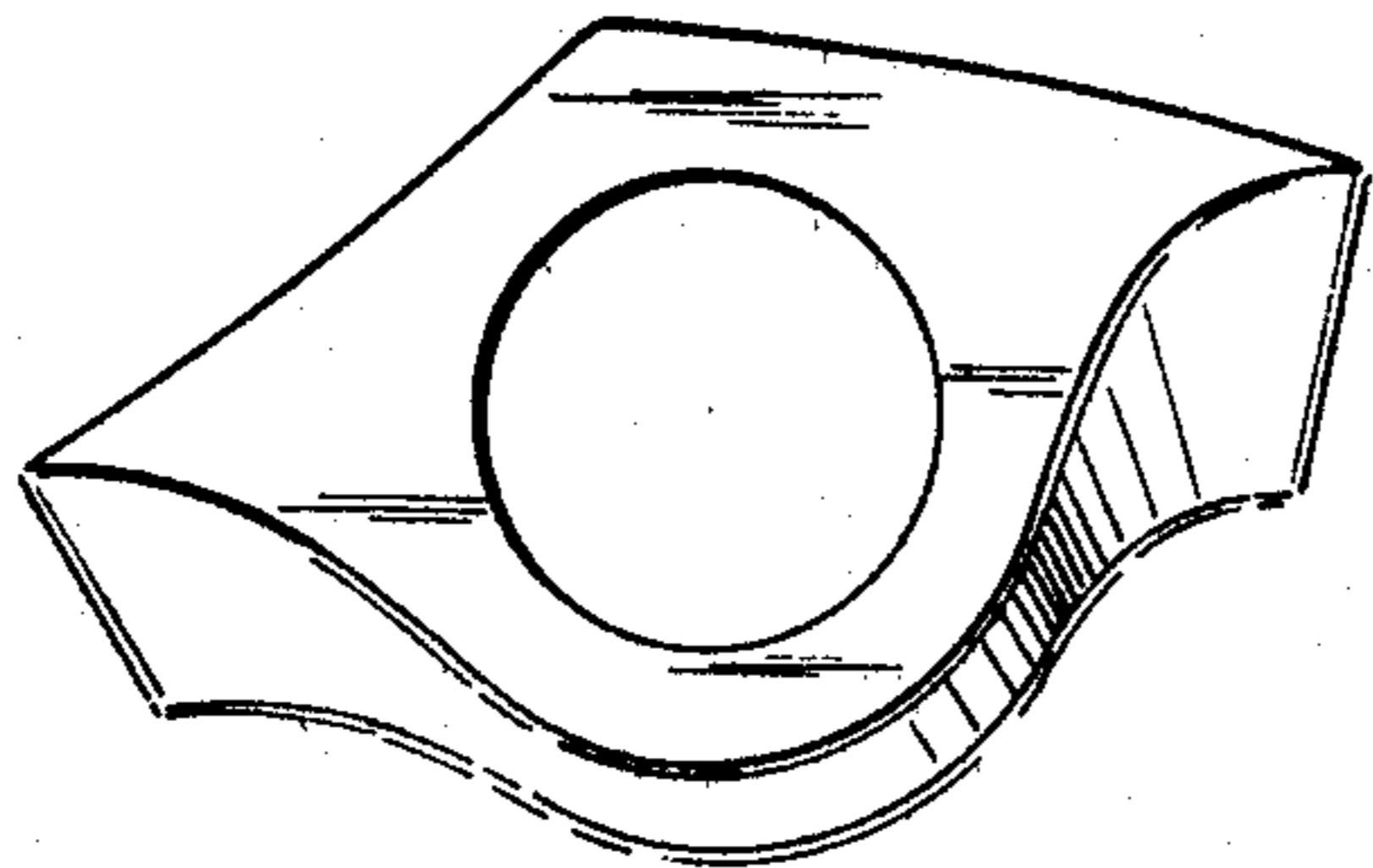


Fig. 6

Fig. 7

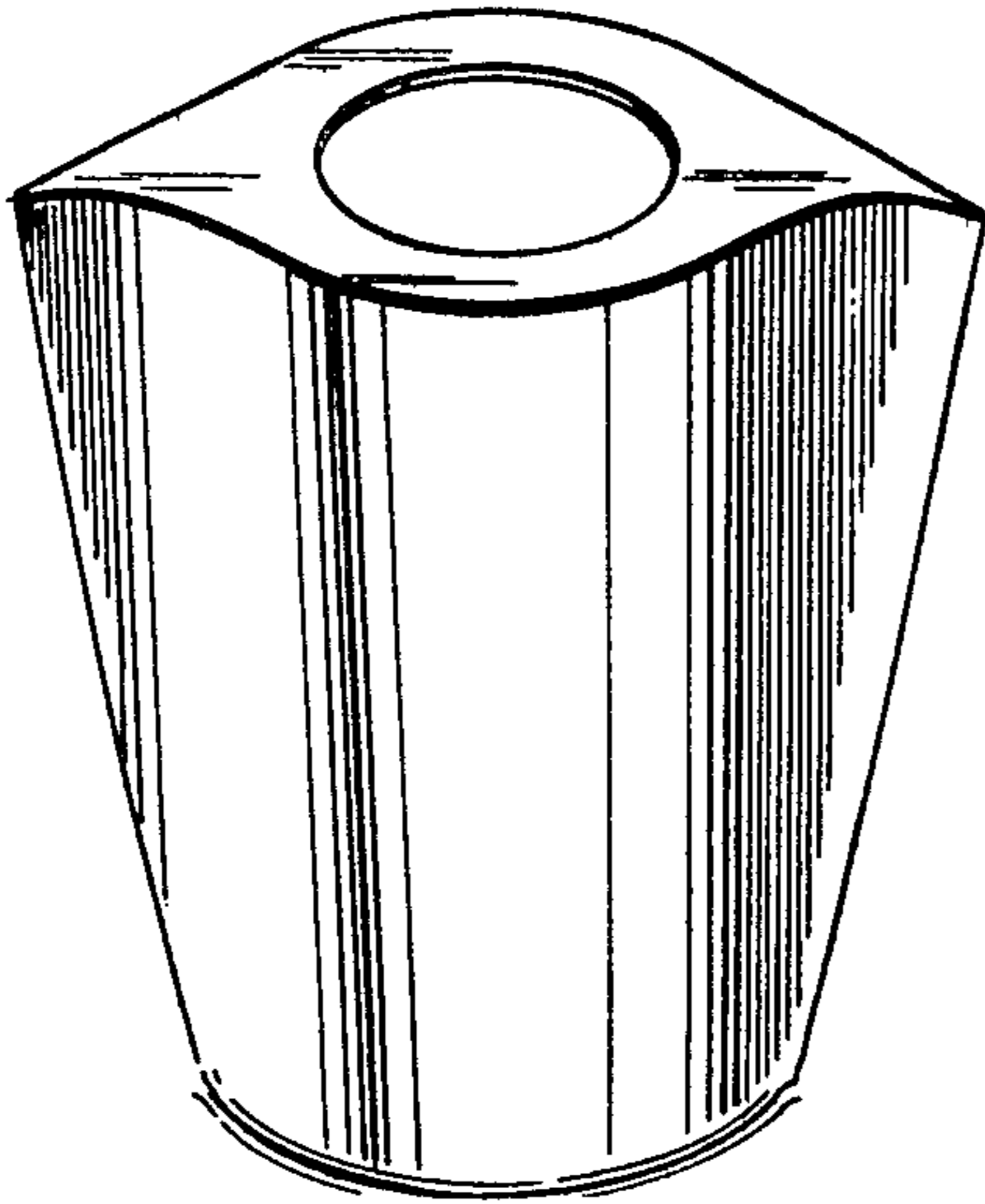


Fig. 8

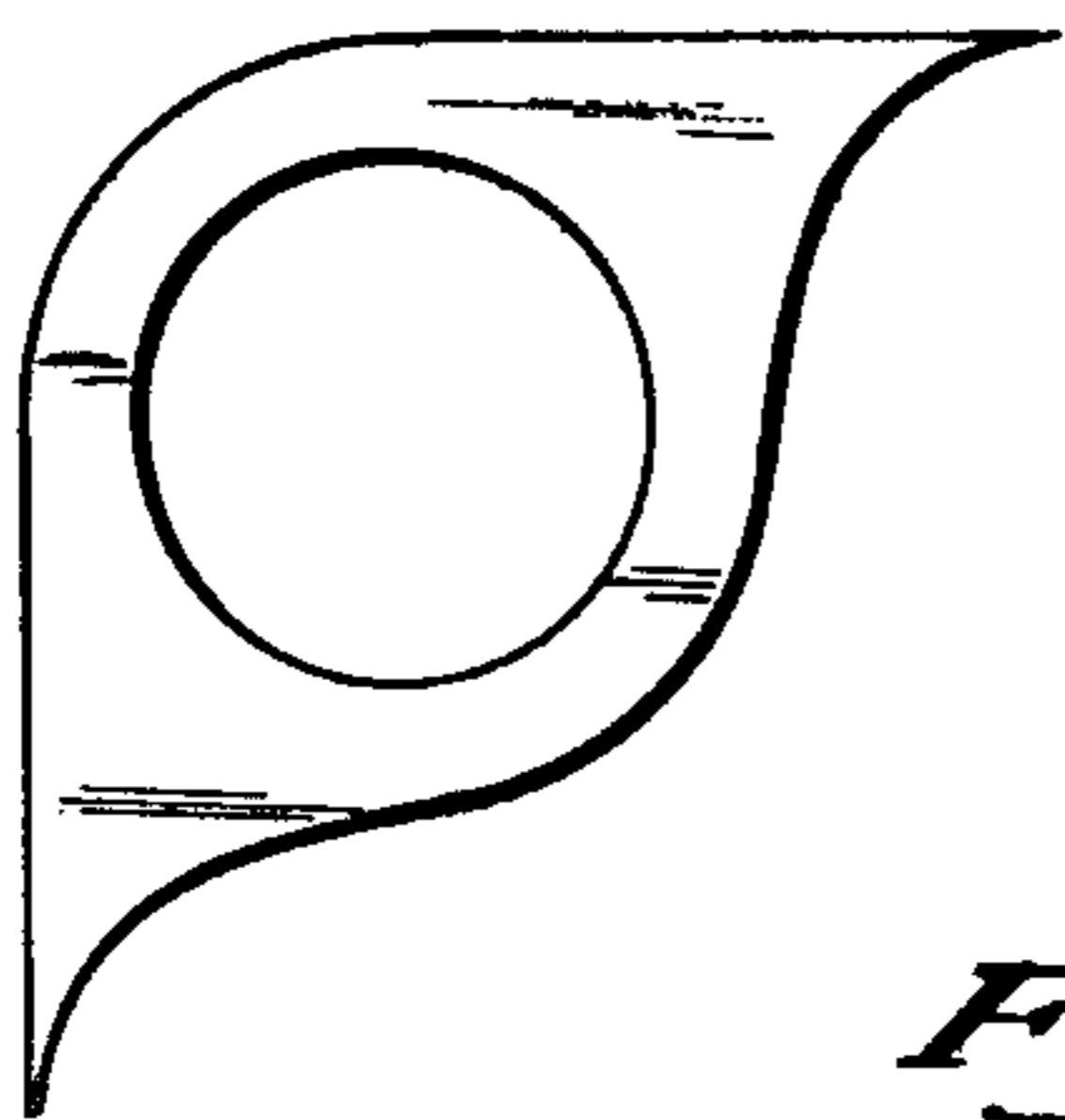
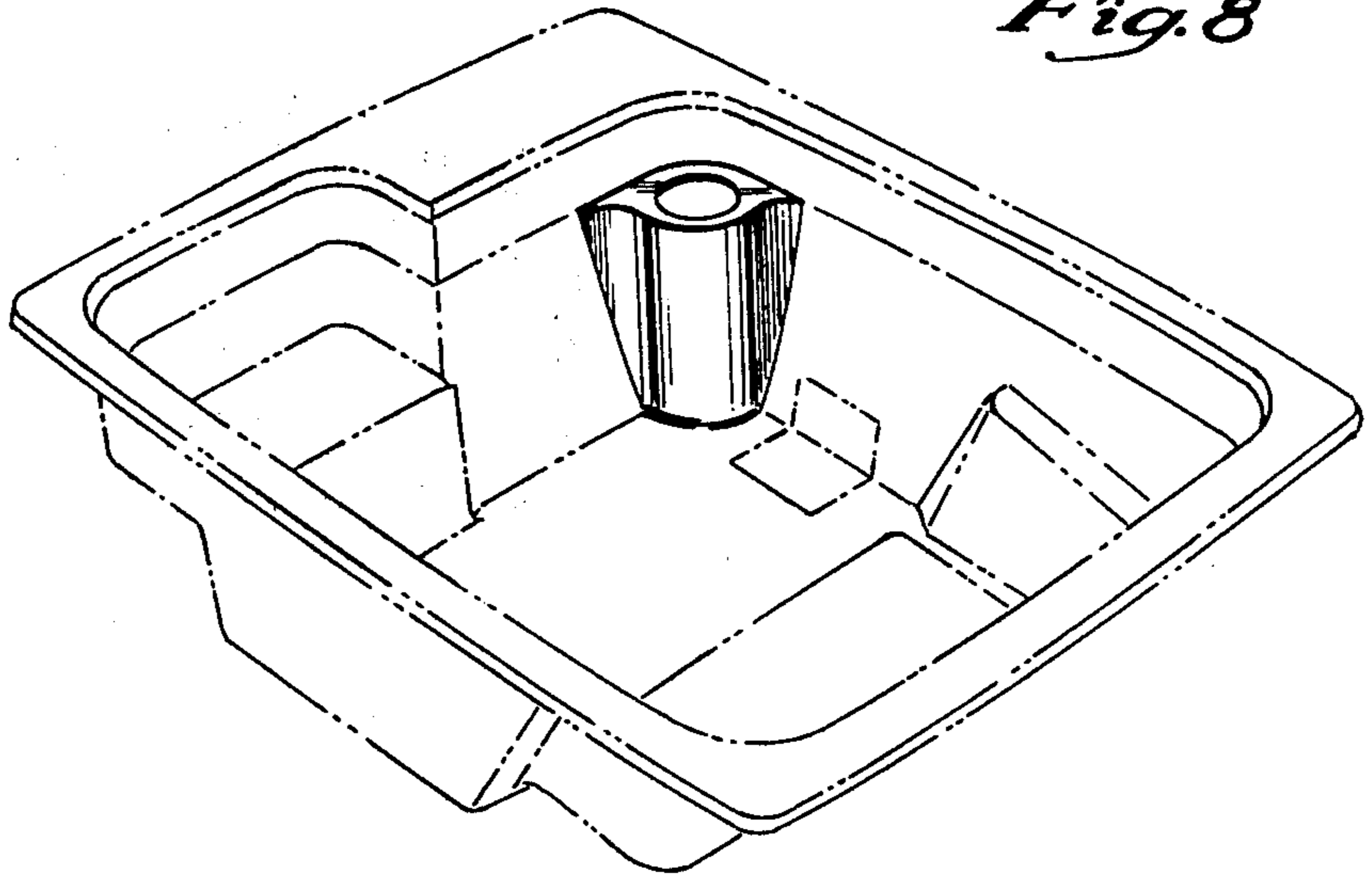


Fig. 9