

[54] **TOY AUTOMOBILE CONTROL CONSOLE**

[75] **Inventor: Michael W. Nuttall, So. Pasadena, Calif.**

[73] **Assignee: Tomy Kogyo Co., Inc., Japan**

[\*\*] **Term: 14 Years**

[21] **Appl. No.: 332,682**

[22] **Filed: Dec. 21, 1981**

[52] **U.S. Cl. .... D21/142**

[58] **Field of Search ..... 46/1 B, 228; D21/59, D21/73, 76, 78, 128, 142; D12/174, 175, 213; D19/59, 62, 63**

[56] **References Cited**

**U.S. PATENT DOCUMENTS**

D. 263,406 3/1982 Orenstein ..... D21/142  
D. 264,234 5/1982 Nakao et al. .... D21/78

D. 266,008 8/1982 Klawitter ..... D21/136  
D. 266,097 9/1982 Klawitter ..... D21/136  
3,715,832 2/1973 Torres ..... 46/1 B

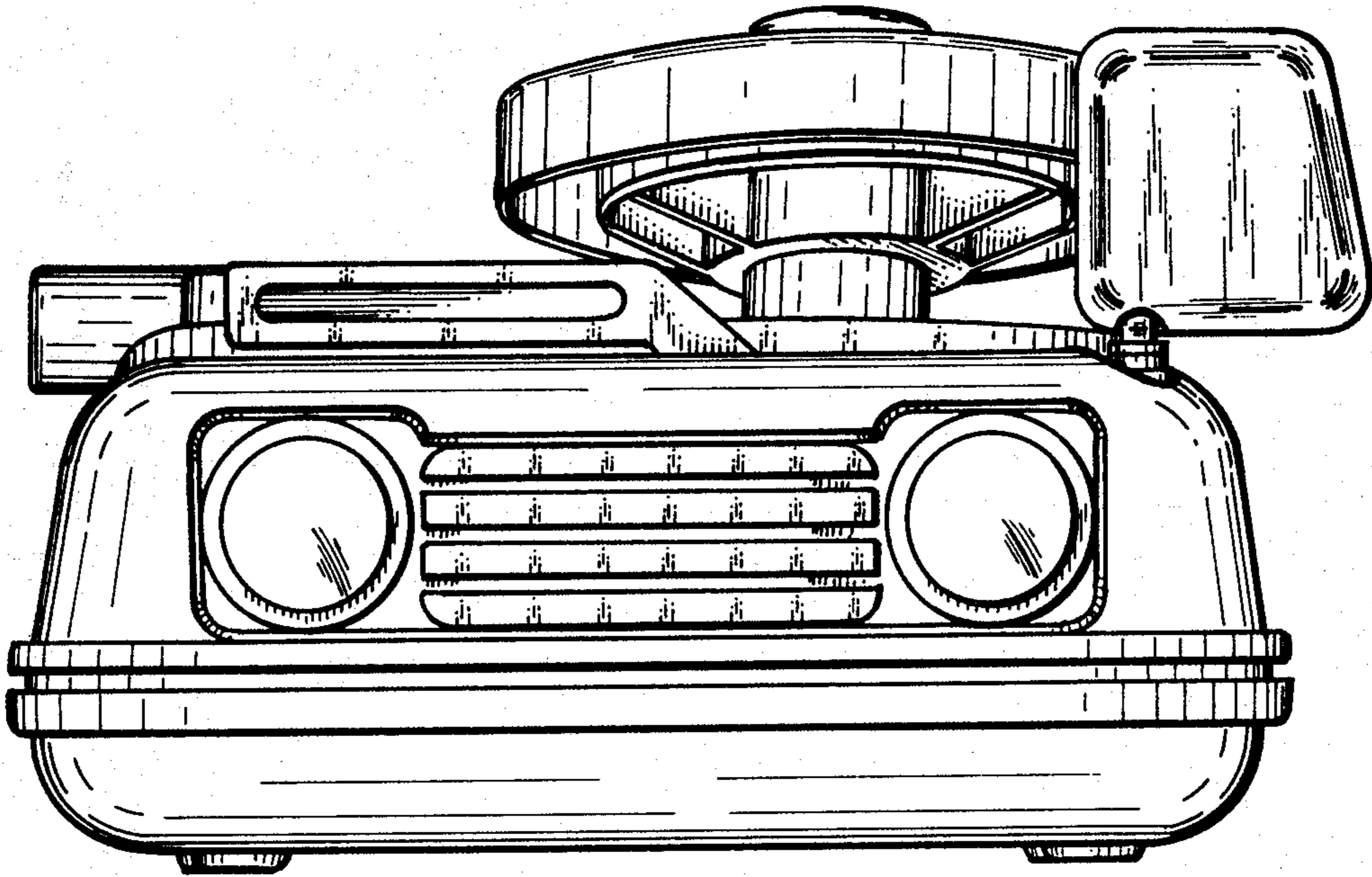
*Primary Examiner*—Charles A. Rademaker  
*Attorney, Agent, or Firm*—K. H. Boswell; Edward D. O'Brian

[57] **CLAIM**

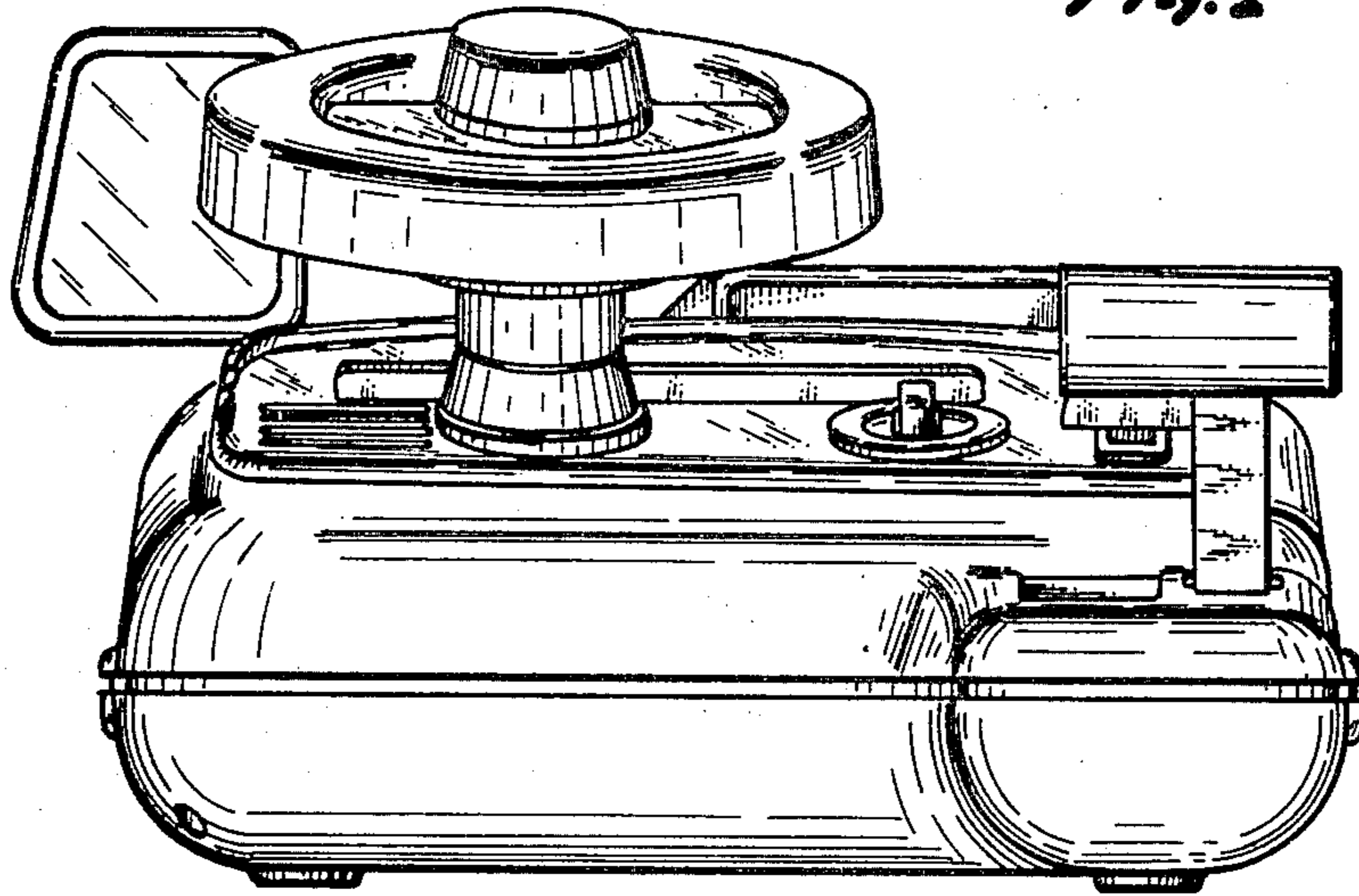
The ornamental design for a toy automobile control console, substantially as shown and described.

**DESCRIPTION**

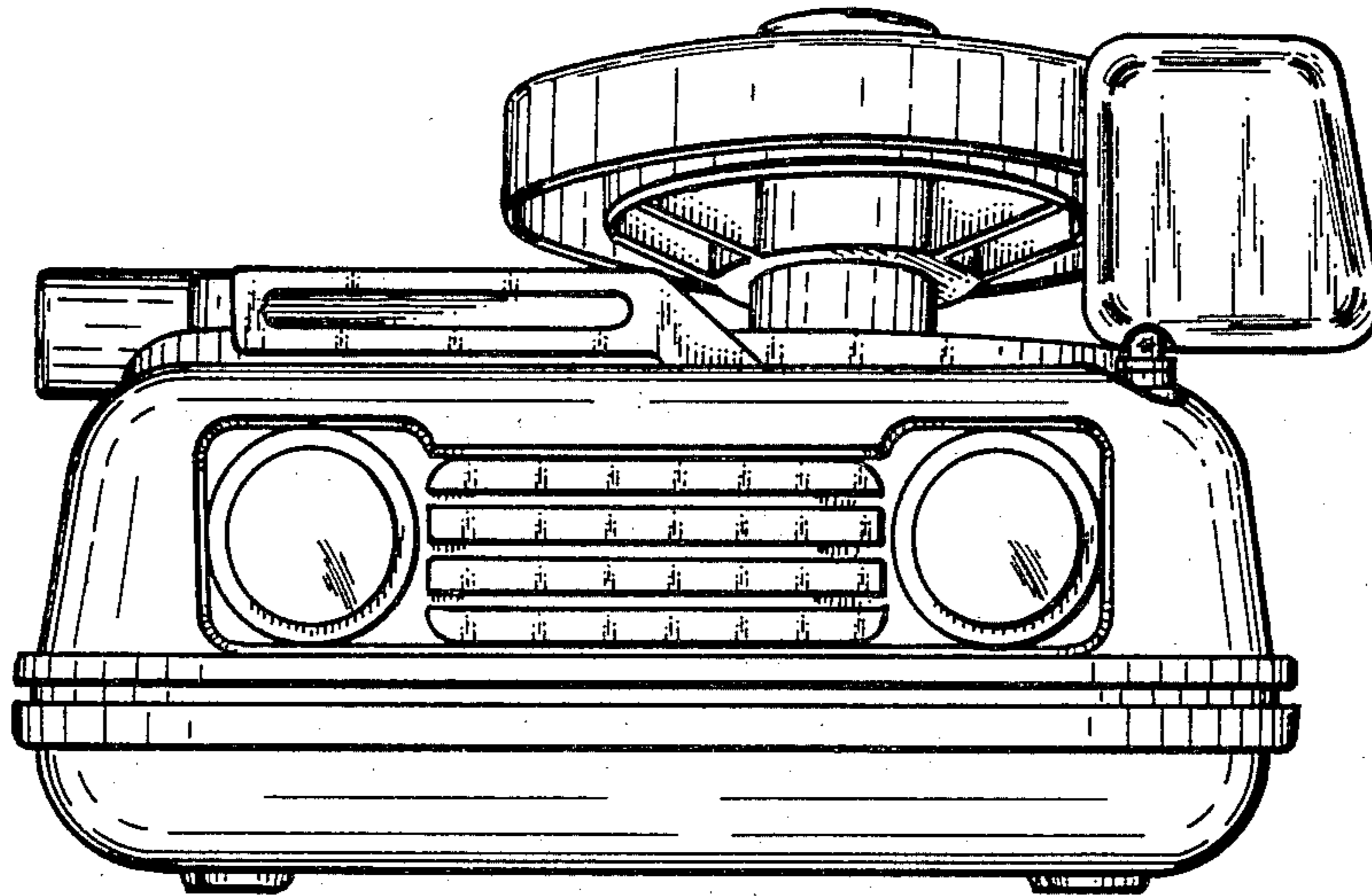
FIG. 1 is a rear elevational view of a toy automobile control console showing my new design; FIG. 2 is a front elevational view thereof; FIG. 3 is a top plan view thereof; FIG. 4 is a left side elevational view thereof; FIG. 5 is a right side elevational view thereof; and, FIG. 6 is a bottom plan view thereof.

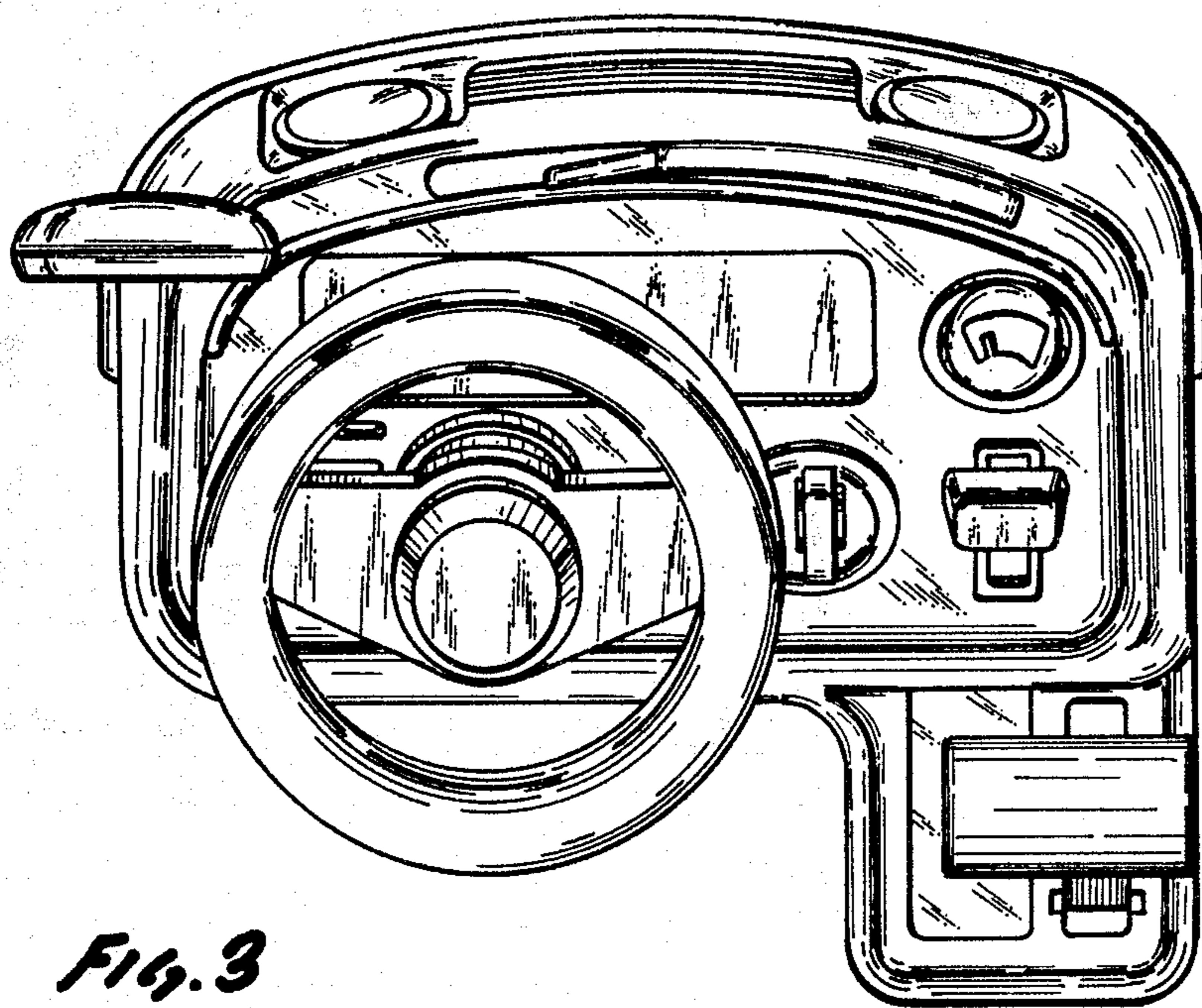


*Fig. 1*

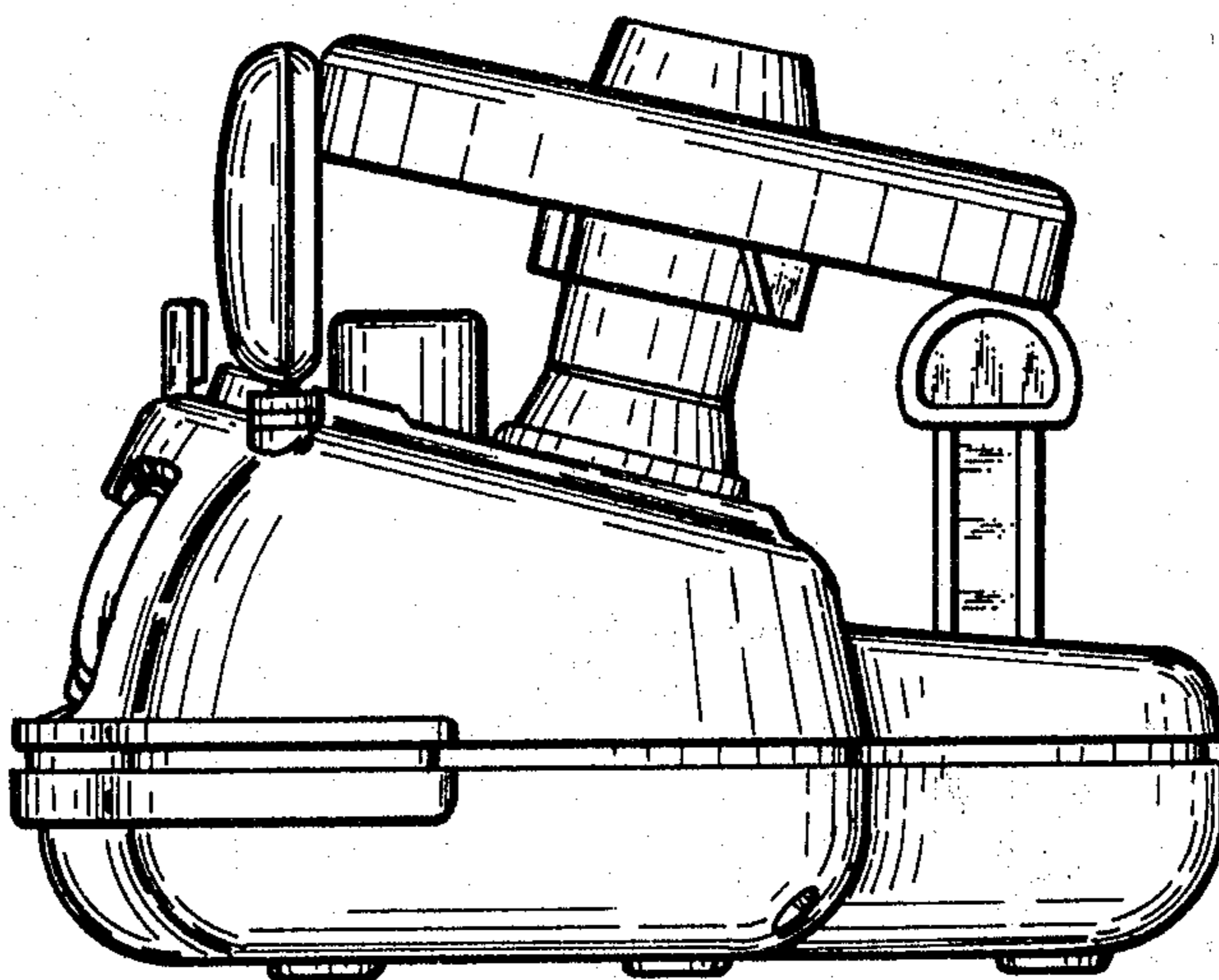


*Fig. 2*



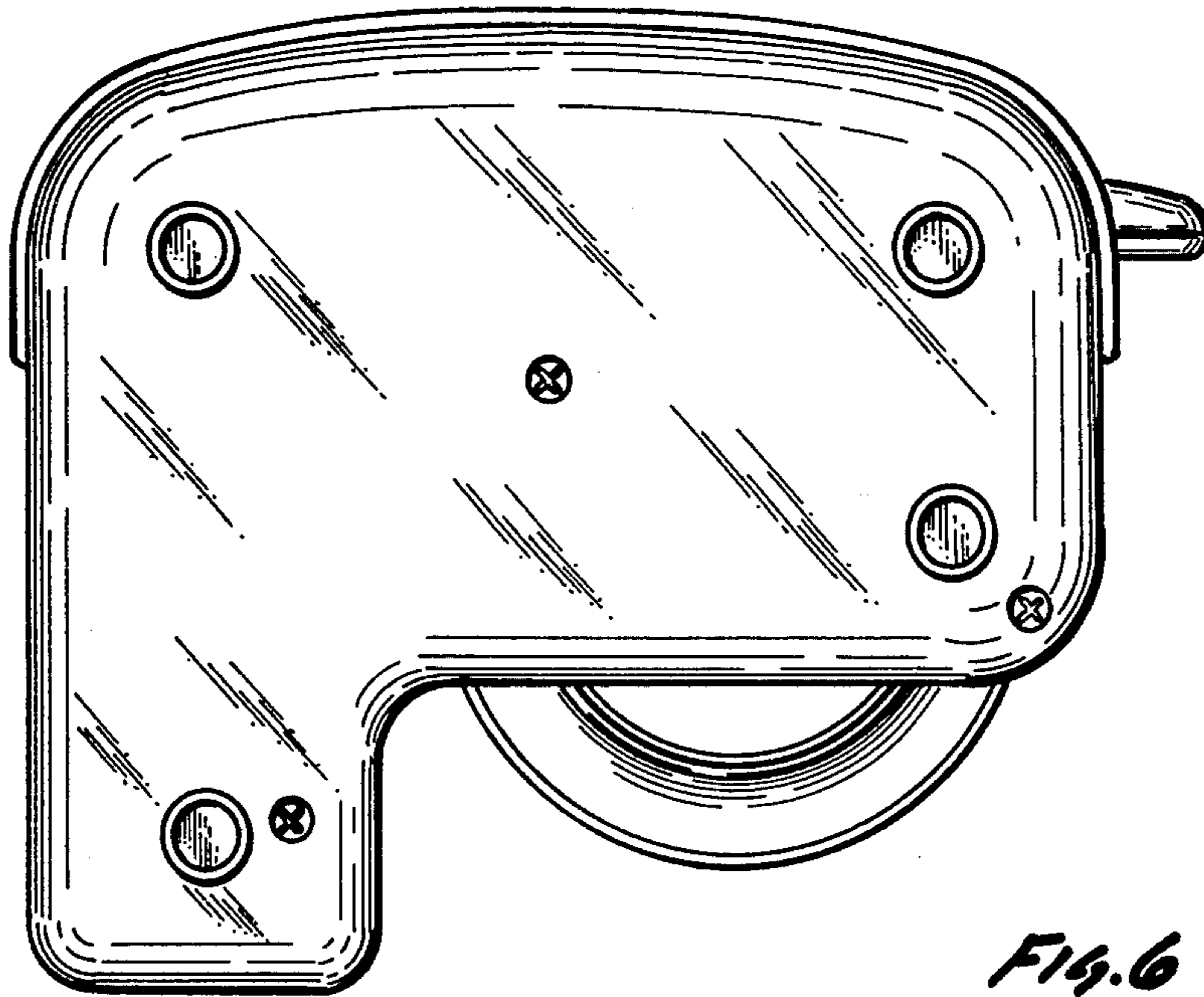
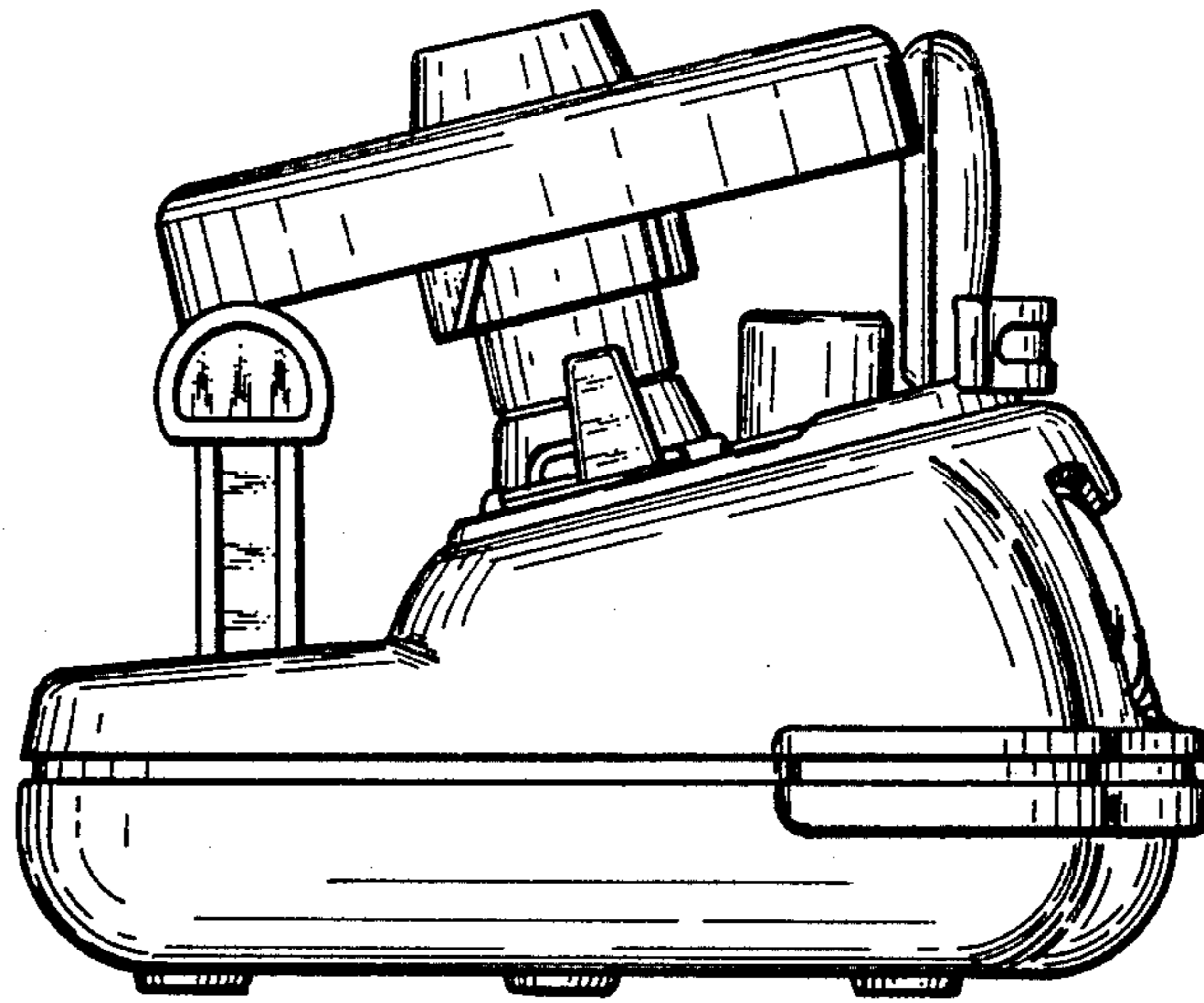


*Fig. 3*



*Fig. 4*

*Fig. 5*



*Fig. 6*