

[54] FRAME FOR THE LEADING EDGE OF A GLIDER

[76] Inventor: Jeffrey A. Brzack, 140 Maumee Trail, Lake Orion, Mich. 48035

[\*\*] Term: 14 Years

[21] Appl. No.: 341,467

[22] Filed: Jan. 21, 1982

[52] U.S. Cl. .... D21/91

[58] Field of Search ..... D21/91, 87, 89, 88; 244/154, 153 R, 13, 16; 273/425, 424

[56] References Cited

U.S. PATENT DOCUMENTS

408,369 8/1889 Seggar ..... D21/108  
4,246,721 1/1981 Bowers ..... 273/425

4,280,673 7/1981 Brzack ..... D21/87

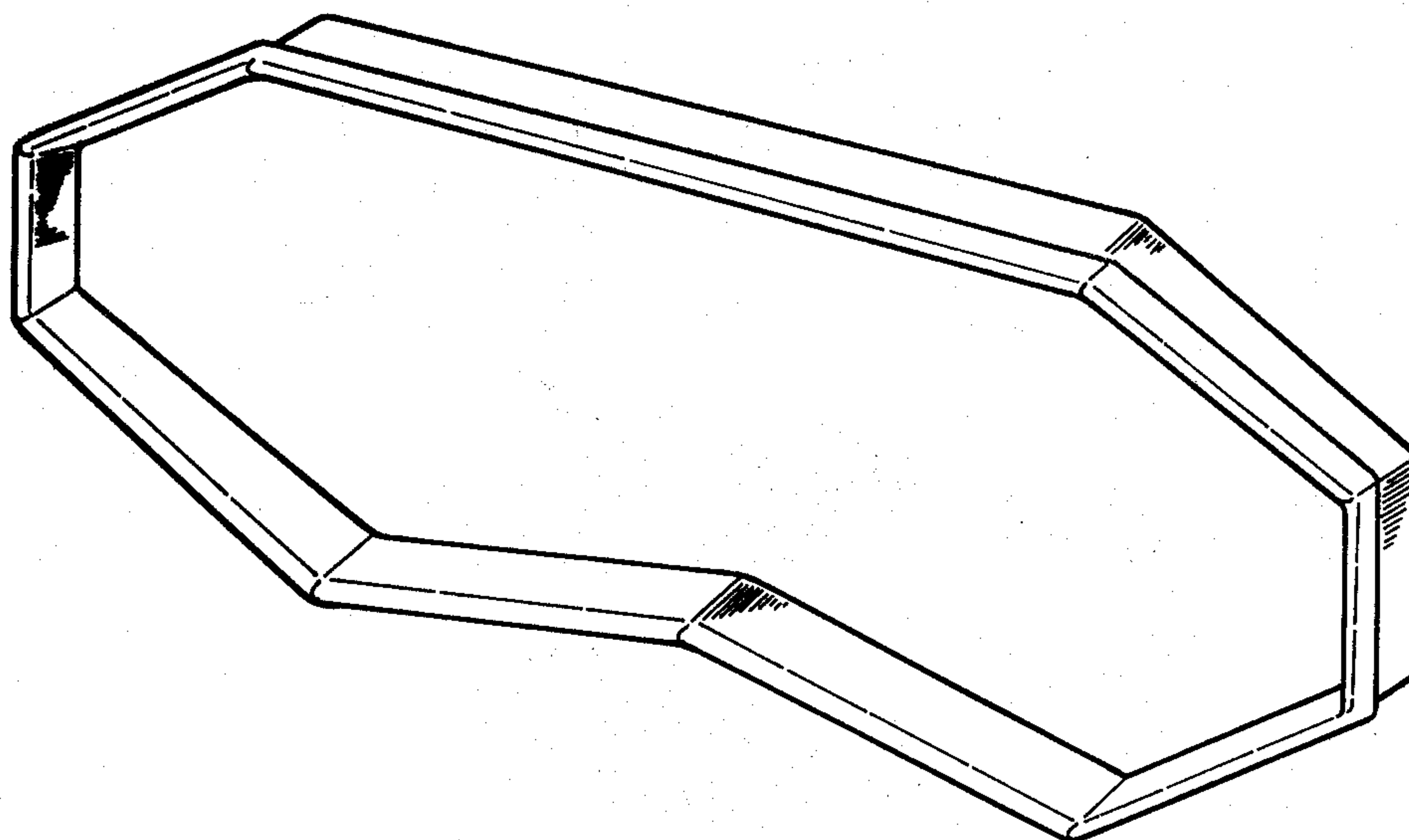
Primary Examiner—Melvin B. Feifer  
Attorney, Agent, or Firm—Basile, Weintraub & Hanlon

[57] CLAIM

The ornamental design for a frame for the leading edge of a glider, as shown.

DESCRIPTION

FIG. 1 is a perspective view of a frame for the leading edge of a glider showing my new design; FIG. 2 is a right-side elevational view of FIG. 1; FIG. 3 is a left-side elevational view of FIG. 1; FIG. 4 is a top plan view; FIG. 5 is a front elevational view; FIG. 6 is a bottom plan view; and FIG. 7 is a rear elevational view.



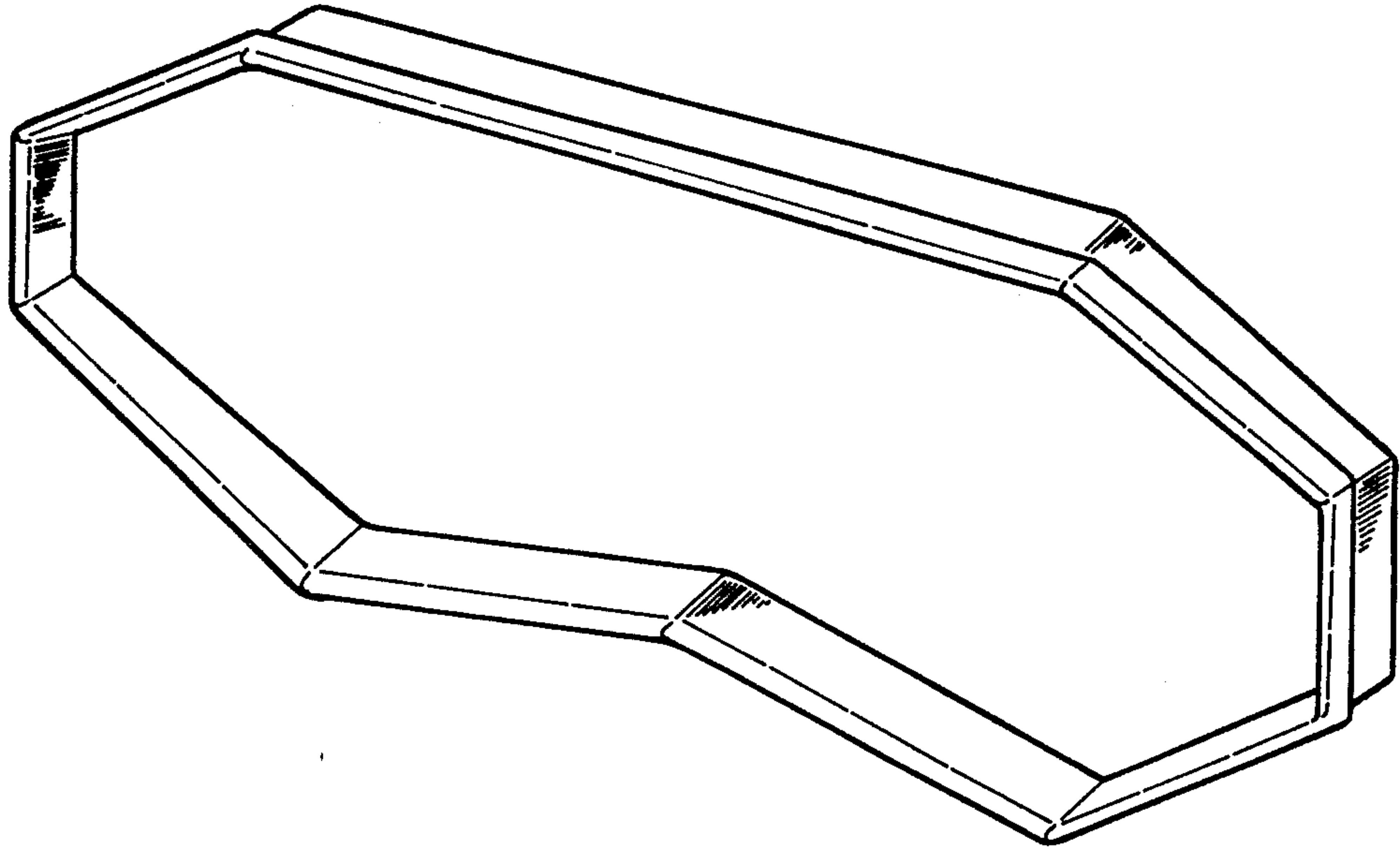


FIG. 1

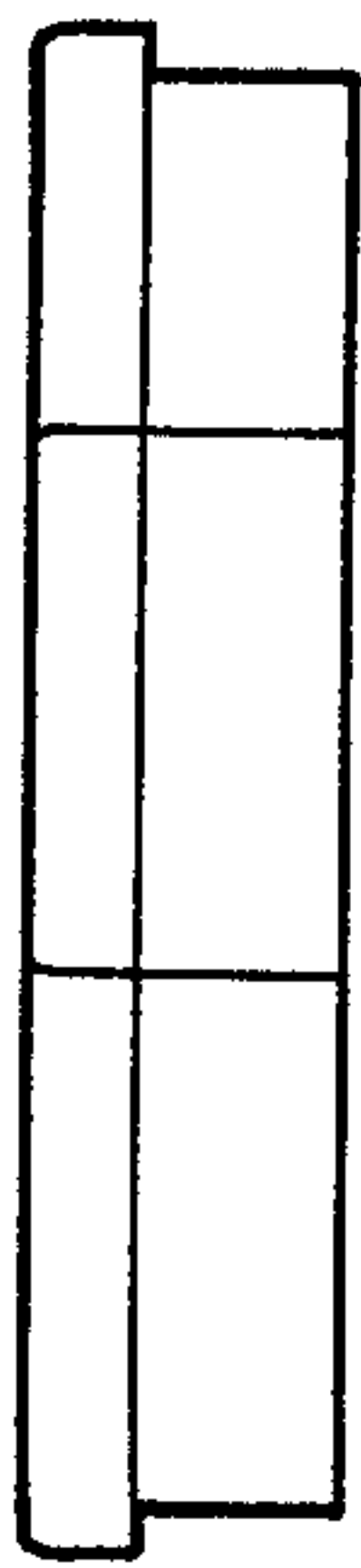


FIG. 2



FIG. 3

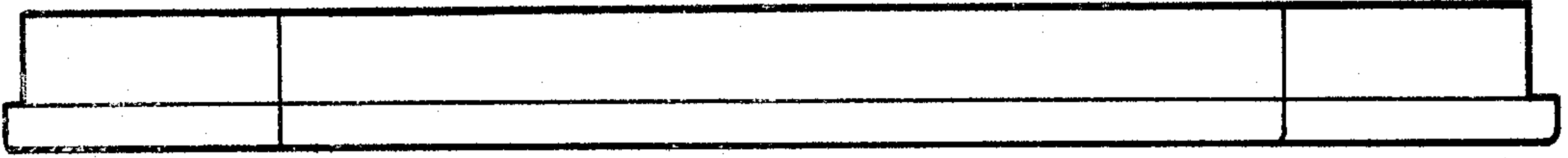


FIG. 4

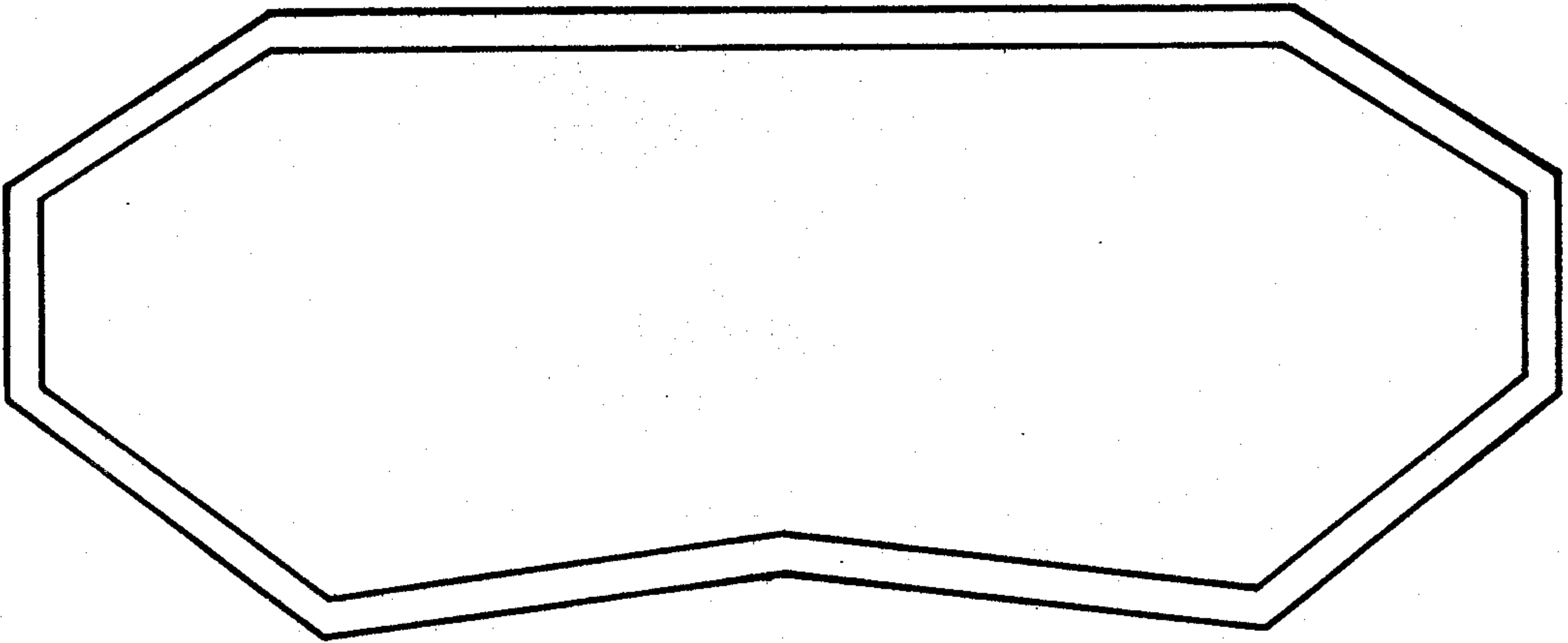


FIG. 5

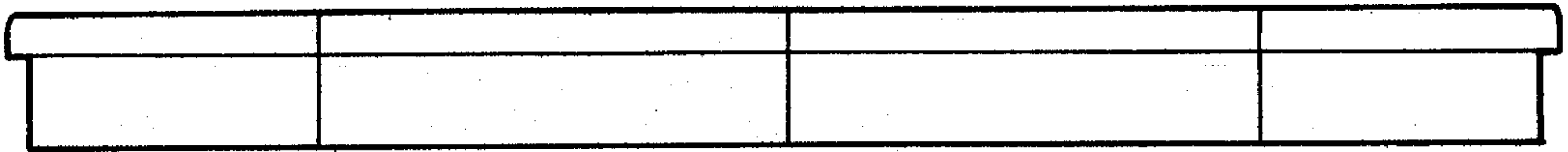


FIG. 6

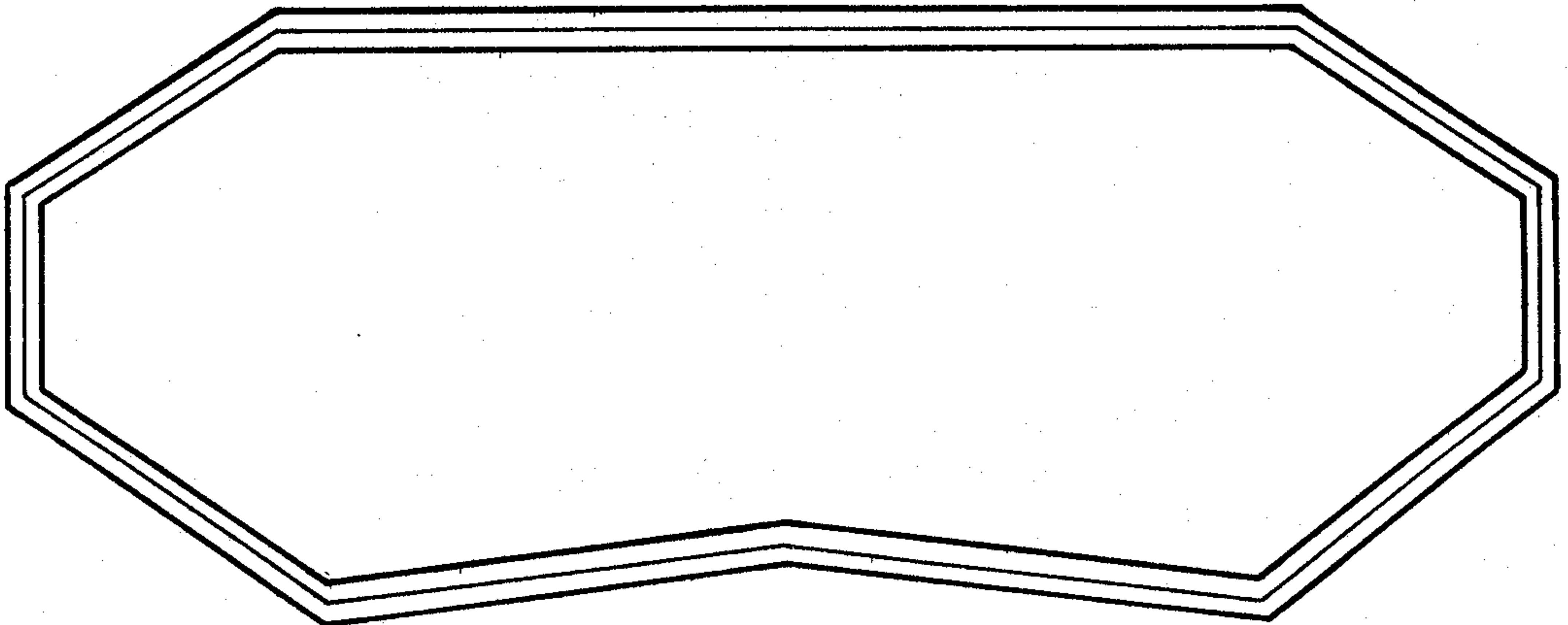


FIG. 7