

[54] COMBINED MAGAZINE, MEMO PAD AND PENCIL RACK

[75] Inventors: Ronald N. Kessler, Youngstown, Ohio; June S. Rose, 1040 Colonial Dr., Youngstown, Ohio 44505; Myron E. Ullman, Jr., Canfield, Ohio

[73] Assignees: Willow Molded Plastics, Inc.; June S. Rose, both of Youngstown, Ohio

[**] Term: 14 Years

[21] Appl. No.: 331,564

[22] Filed: Dec. 17, 1981

[52] U.S. Cl. D19/77; D6/419; D19/22; D19/23; D19/78; D19/90

[58] Field of Search D19/20-23, D19/75, 77-79, 86, 87, 91, 92; D6/130, 140, 180-188; 40/901, 341; 211/50

[56] References Cited

U.S. PATENT DOCUMENTS

D. 76,601	4/1927	Boe	D19/52
D. 146,978	6/1947	Mack, Jr.	D6/140
D. 180,429	6/1957	Taylor	D19/52
D. 232,335	8/1974	Glover	D6/181
D. 233,289	10/1974	Barone	D6/130
D. 234,557	3/1975	Tiburzi	D6/85
D. 236,112	7/1975	Staats	D19/75
236,457	1/1881	Reimer	
D. 241,895	10/1976	Forbes	D6/85
D. 249,353	9/1978	Juergens	D19/90
D. 251,466	4/1979	Ciminelli	D6/180
D. 261,902	11/1981	Oakley	D6/180
D. 262,978	2/1982	Nagley	D19/91
D. 267,808	2/1983	Russo	D19/78
799,167	9/1905	Jorgensen	
2,325,324	7/1943	Kent	
2,404,563	2/1945	Berliner	
2,427,612	4/1945	Lobb	
2,505,615	4/1946	Glass	
2,959,296	11/1960	Case	211/69
3,084,457	6/1959	Schott	

OTHER PUBLICATIONS

Acrylic Gallery Catalog, vol. II, publication date unknown.

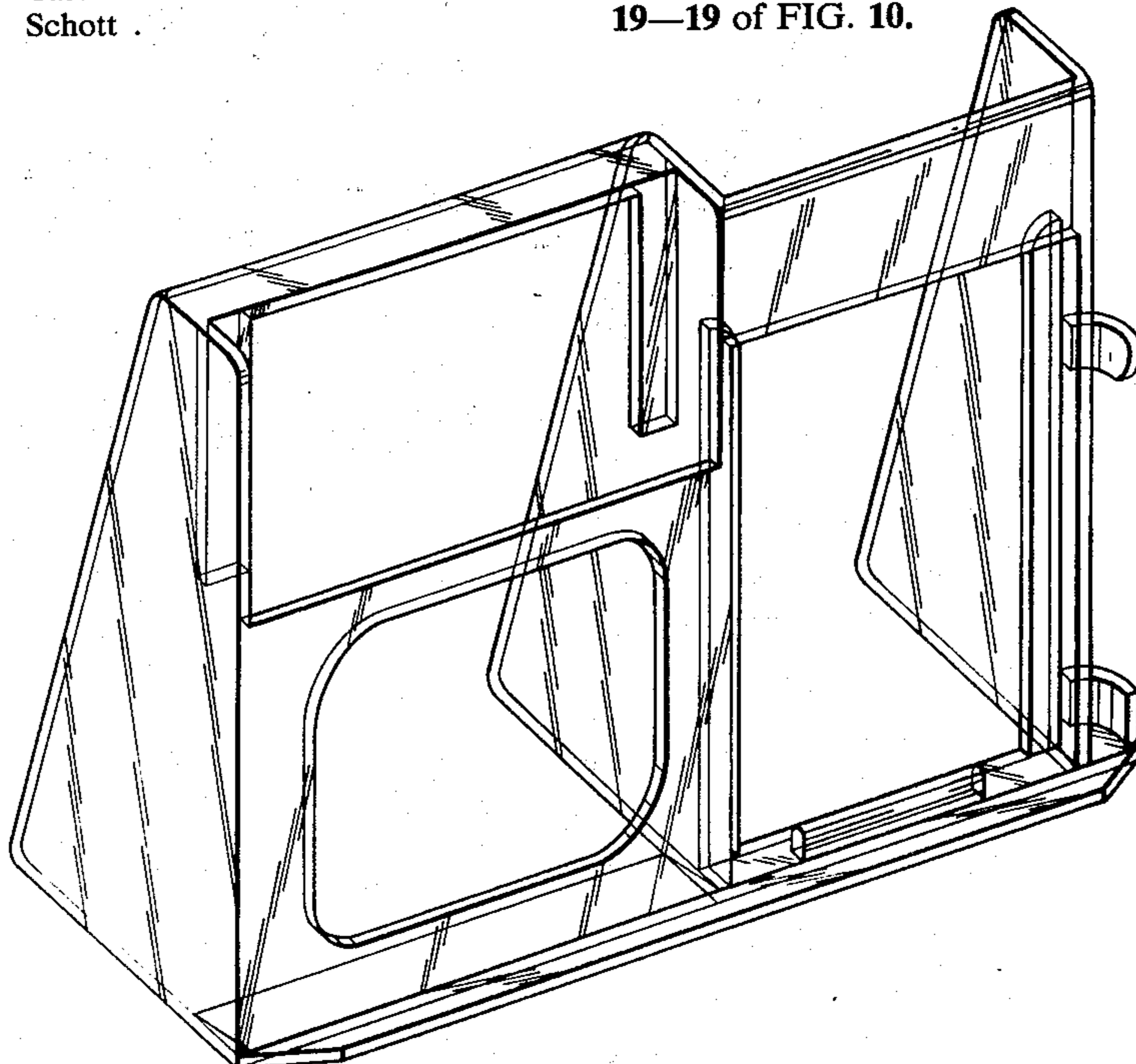
Primary Examiner—George P. Word
Attorney, Agent, or Firm—David A. Burge

[57] CLAIM

The ornamental design for a combined magazine, memo pad, and pencil rack, as shown and described.

DESCRIPTION

FIG. 1 is a perspective view of a combined magazine, memo pad and pencil rack showing our new design; FIG. 2 is a front elevational view thereof; FIG. 3 is a top plan view thereof; FIG. 4 is a bottom plan view thereof; FIG. 5 is a left side elevational view thereof; FIG. 6 is a right side elevational view thereof; FIG. 7 is a cross-sectional view taken along line 7—7 of FIG. 2; FIG. 8 is a cross-sectional view taken along line 8—8 of FIG. 2; FIG. 9 is a perspective view of a modified form of the combined magazine, memo pad and pencil rack; FIG. 10 is a front elevational view thereof; FIG. 11 is a top plan view thereof; FIG. 12 is a bottom plan view thereof; FIG. 13 is a left side elevational view thereof; FIG. 14 is a right side elevational view thereof; FIG. 15 is a cross-sectional view taken along line 15—15 of FIG. 10; FIG. 16 is a cross-sectional view taken along line 16—16 of FIG. 10; FIG. 17 is a perspective view similar to FIG. 9, the broken line showing of a magazine, memo pad and pencil being for illustrative purposes only; FIG. 18 is a cross-sectional view taken along line 18—18 of FIG. 10; and FIG. 19 is a cross-sectional view taken along line 19—19 of FIG. 10.



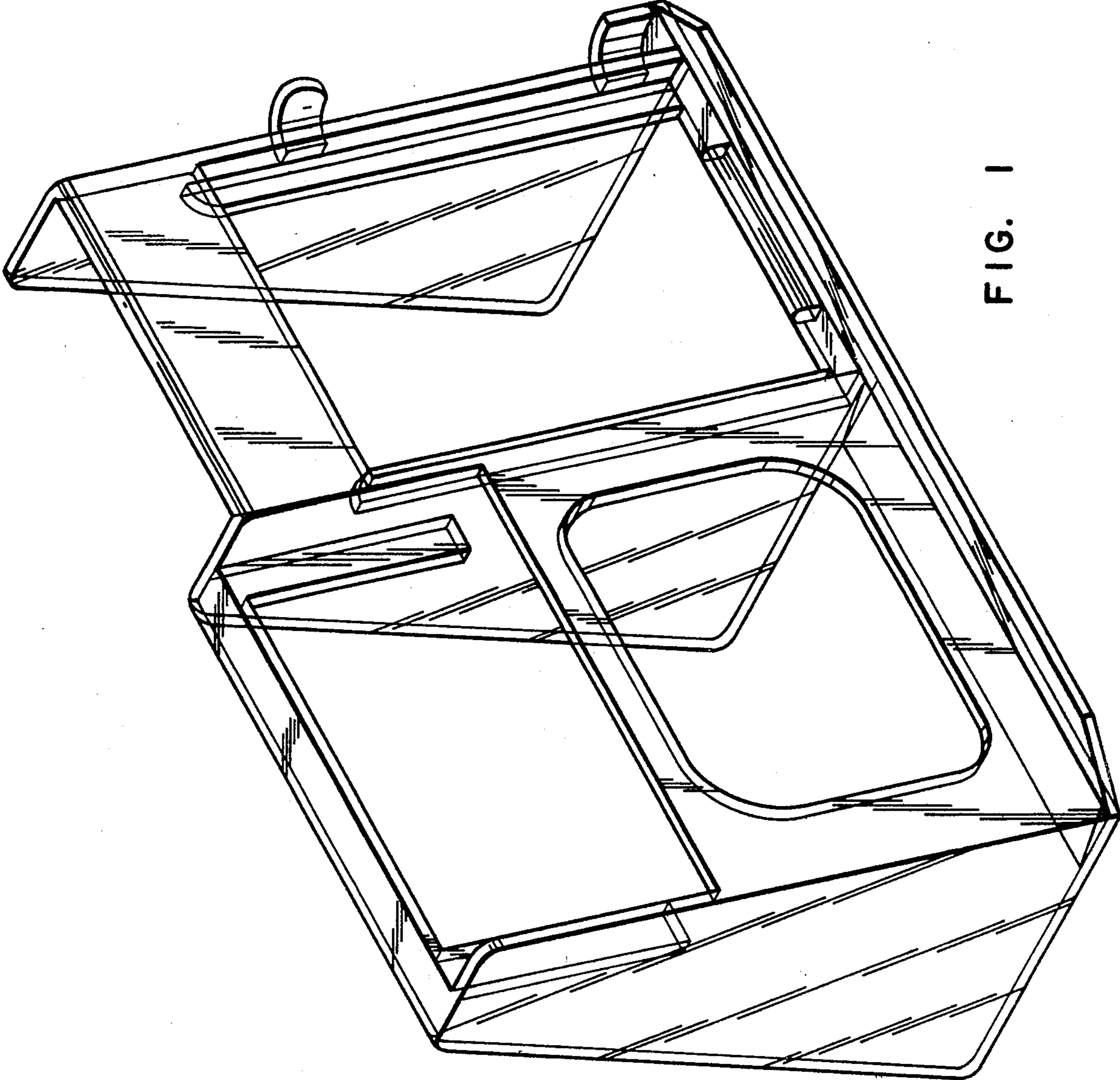
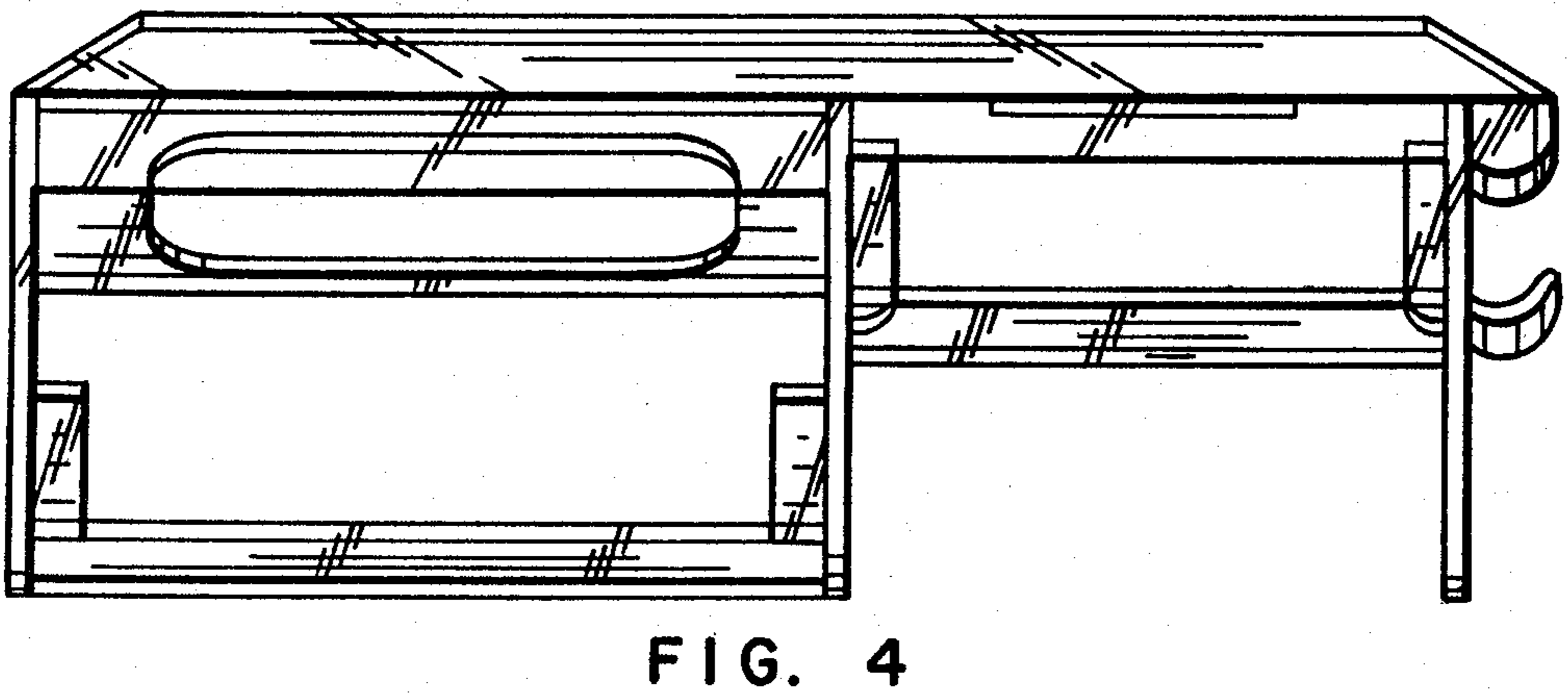
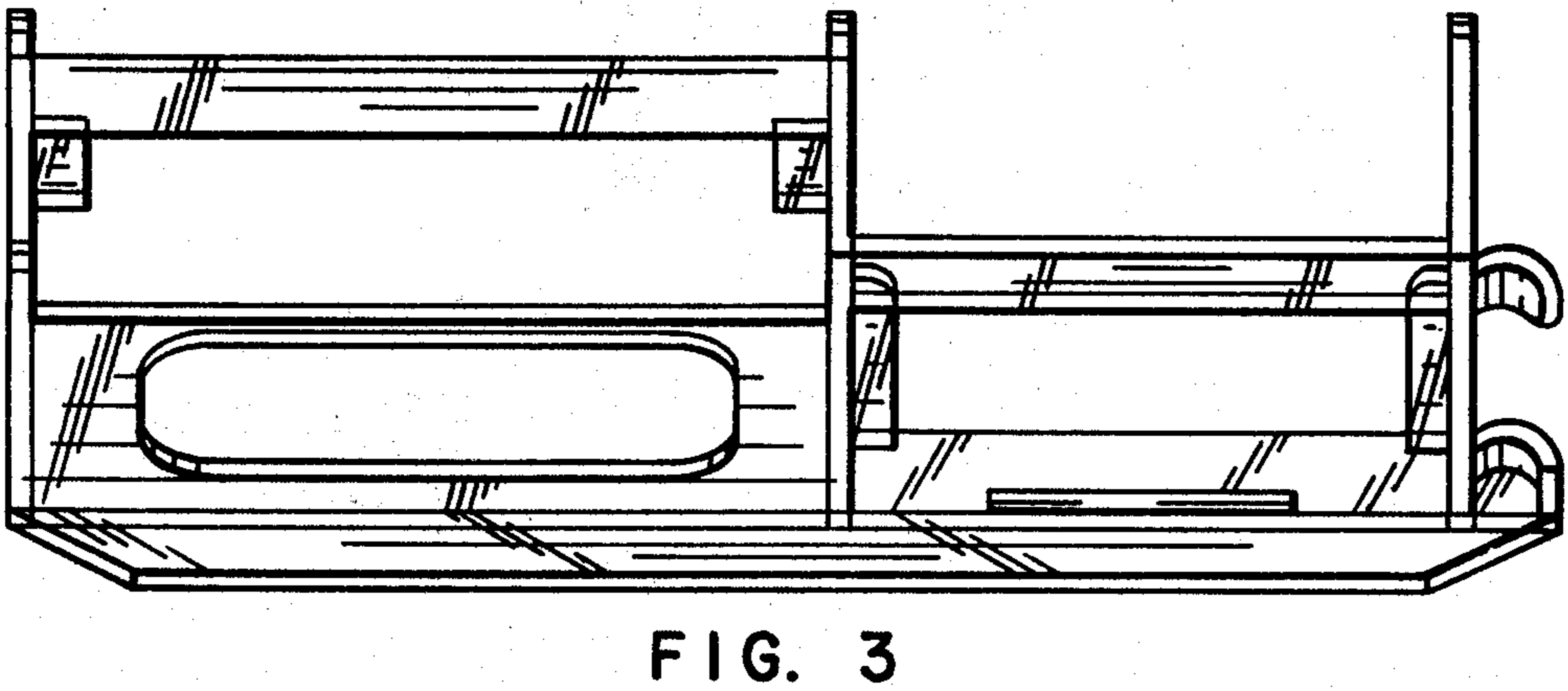
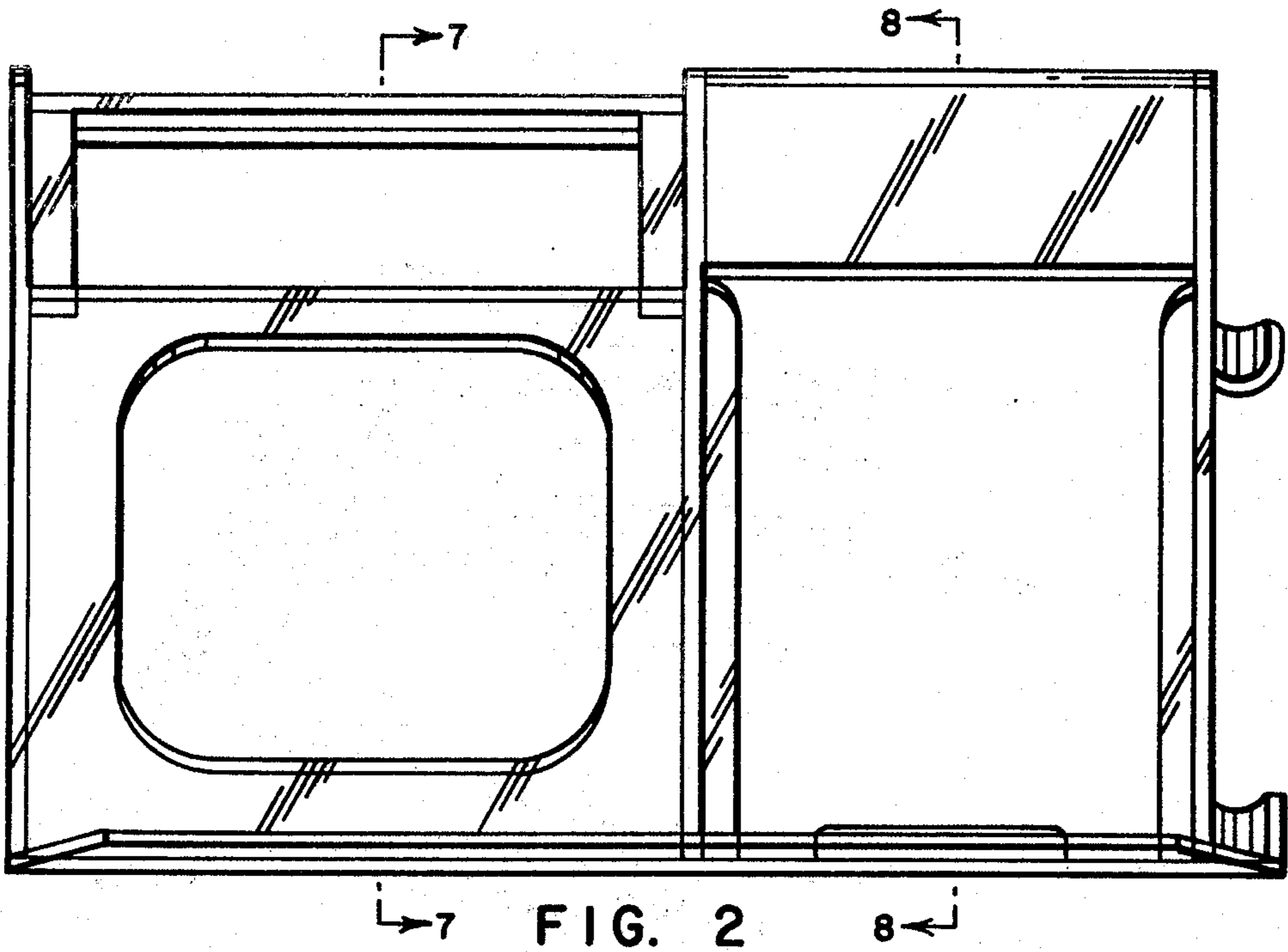


FIG. 1



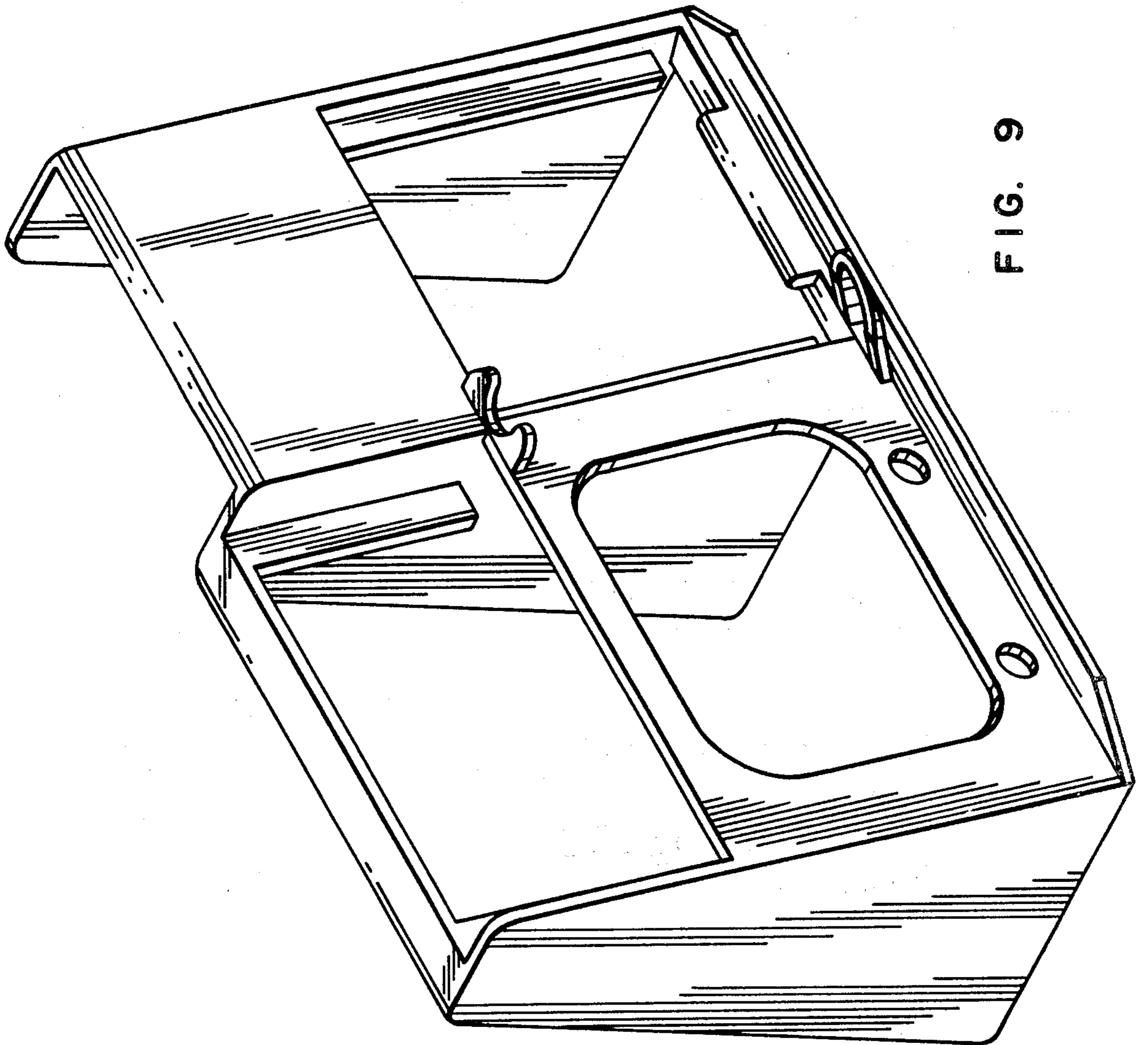


FIG. 9

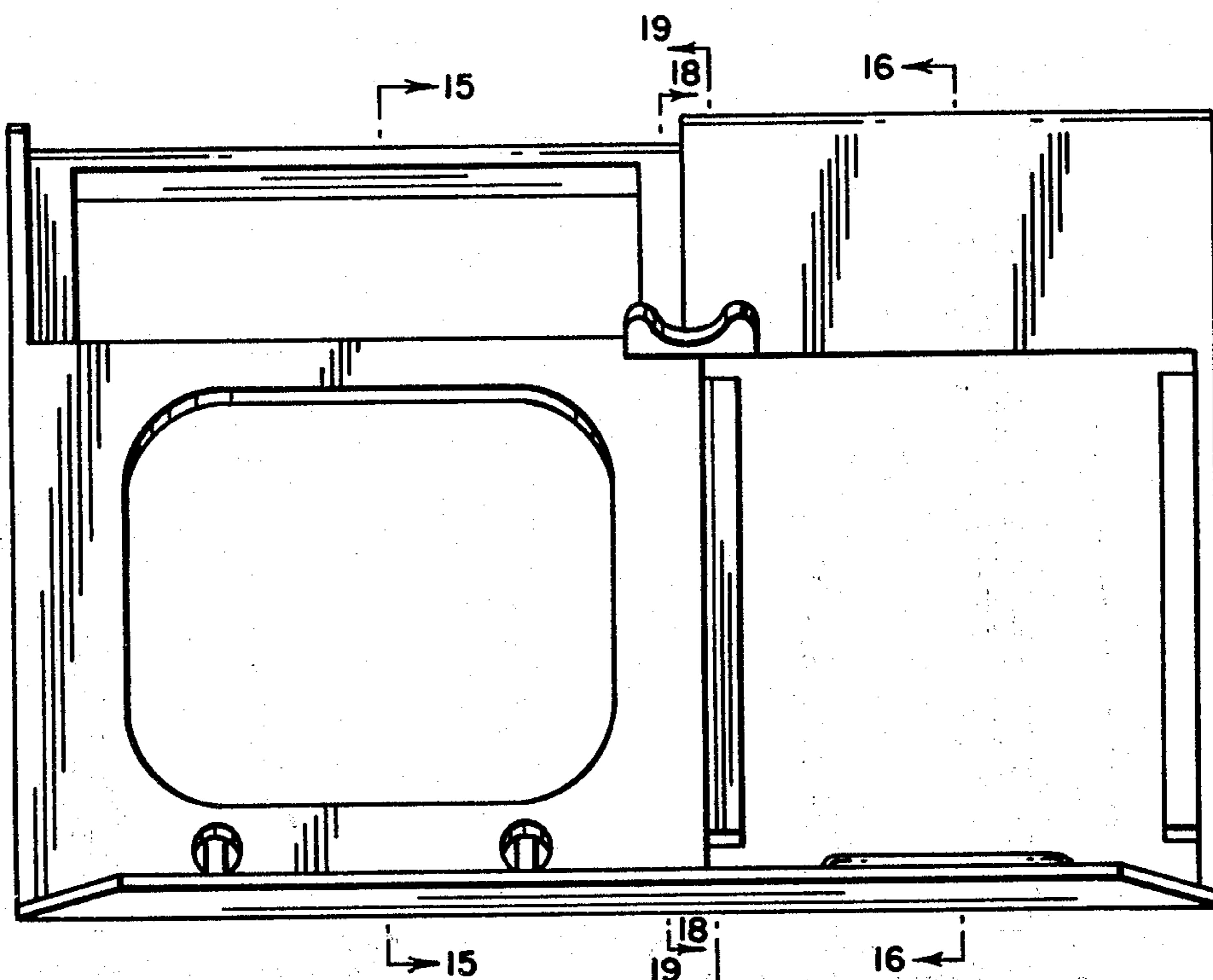


FIG. 10

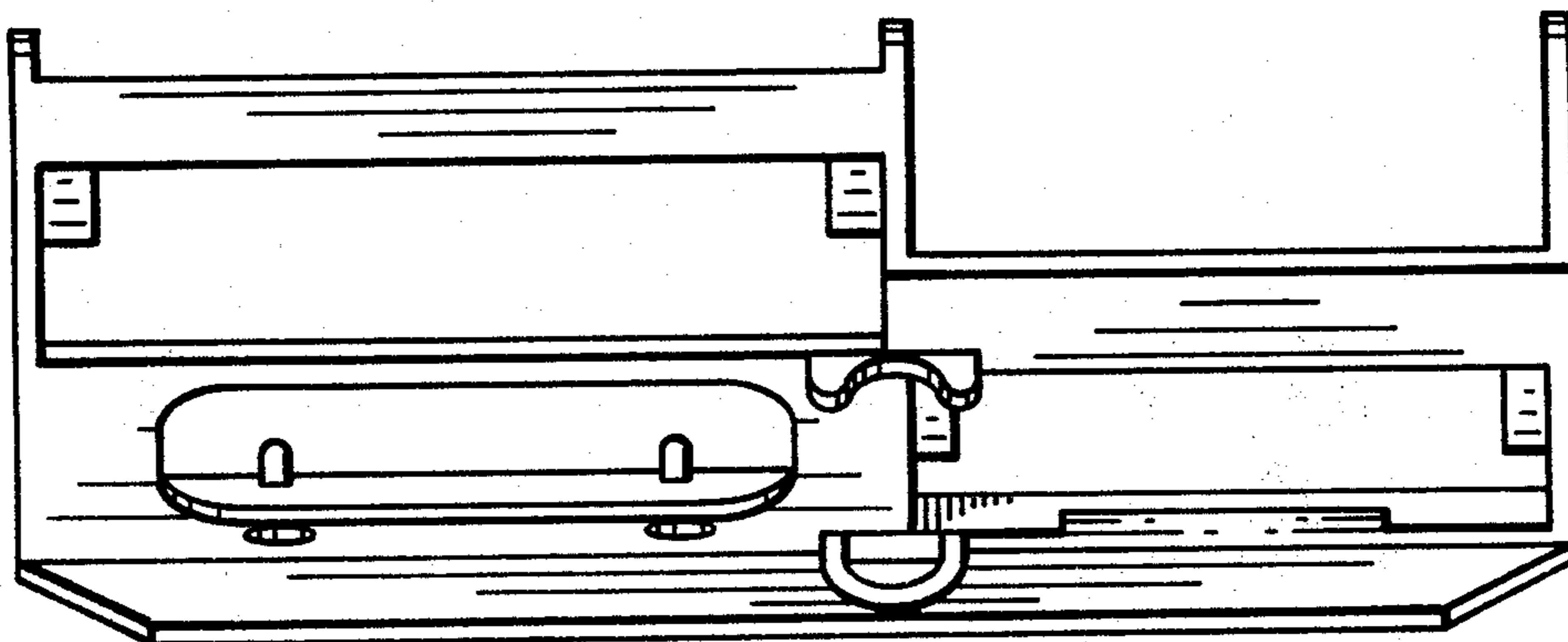


FIG. 11

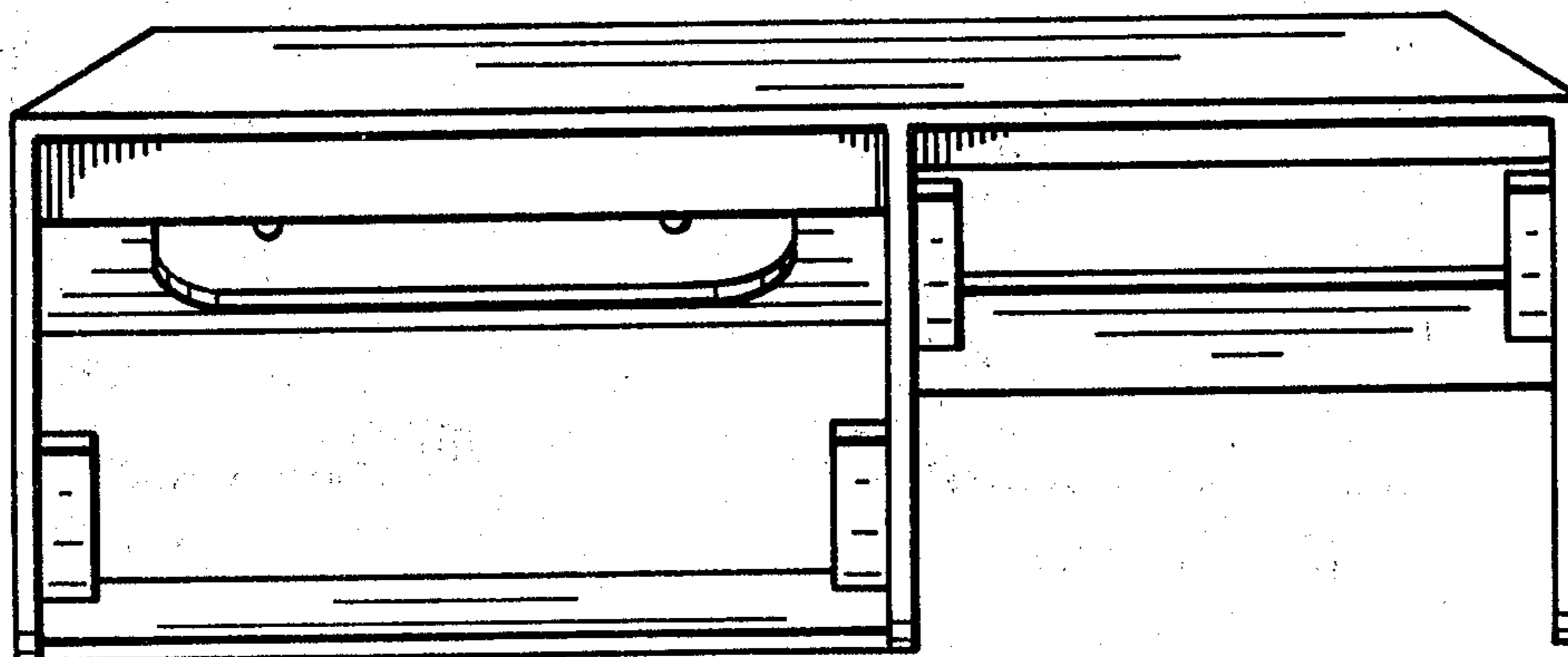


FIG. 12

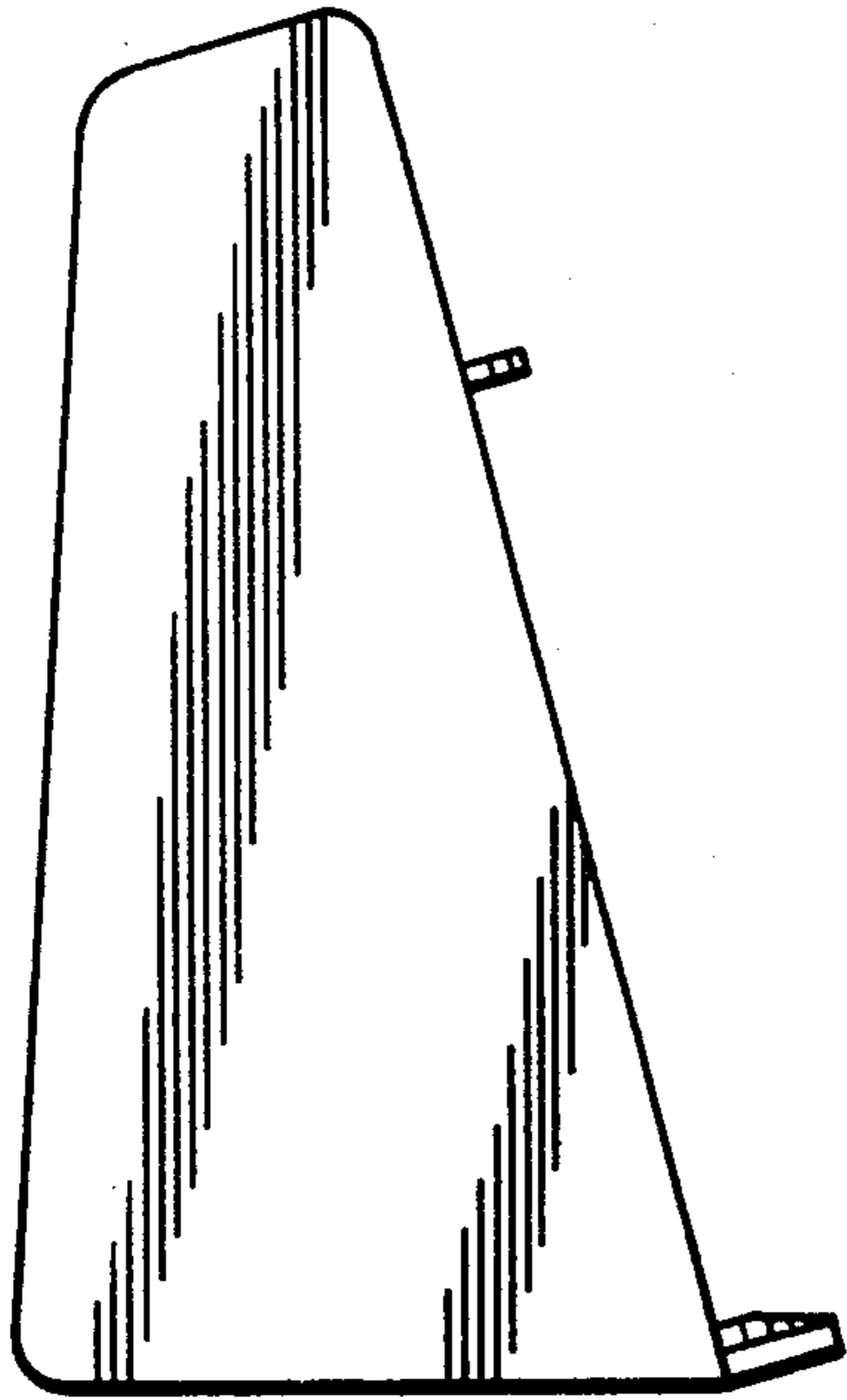


FIG. 13

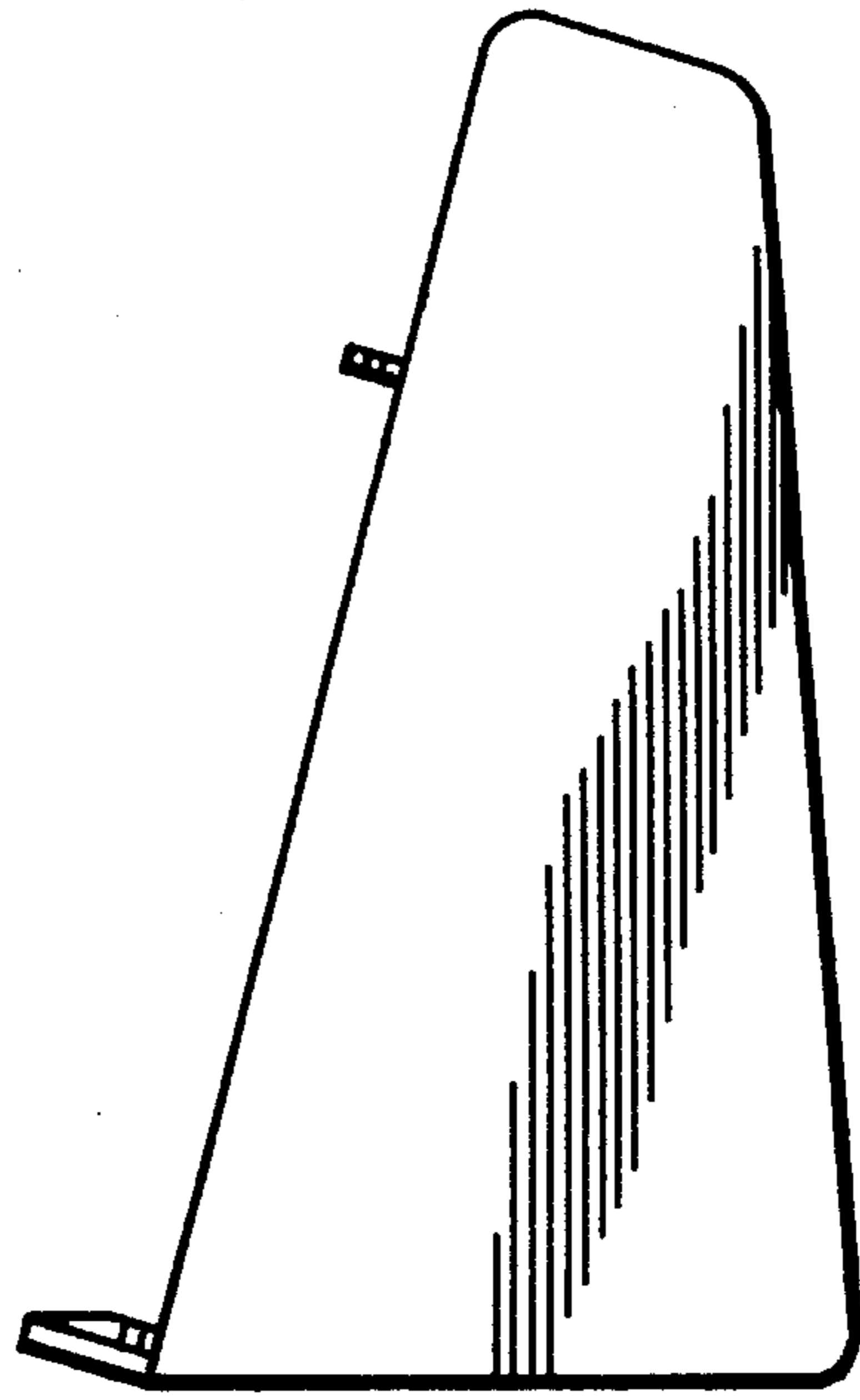


FIG. 14

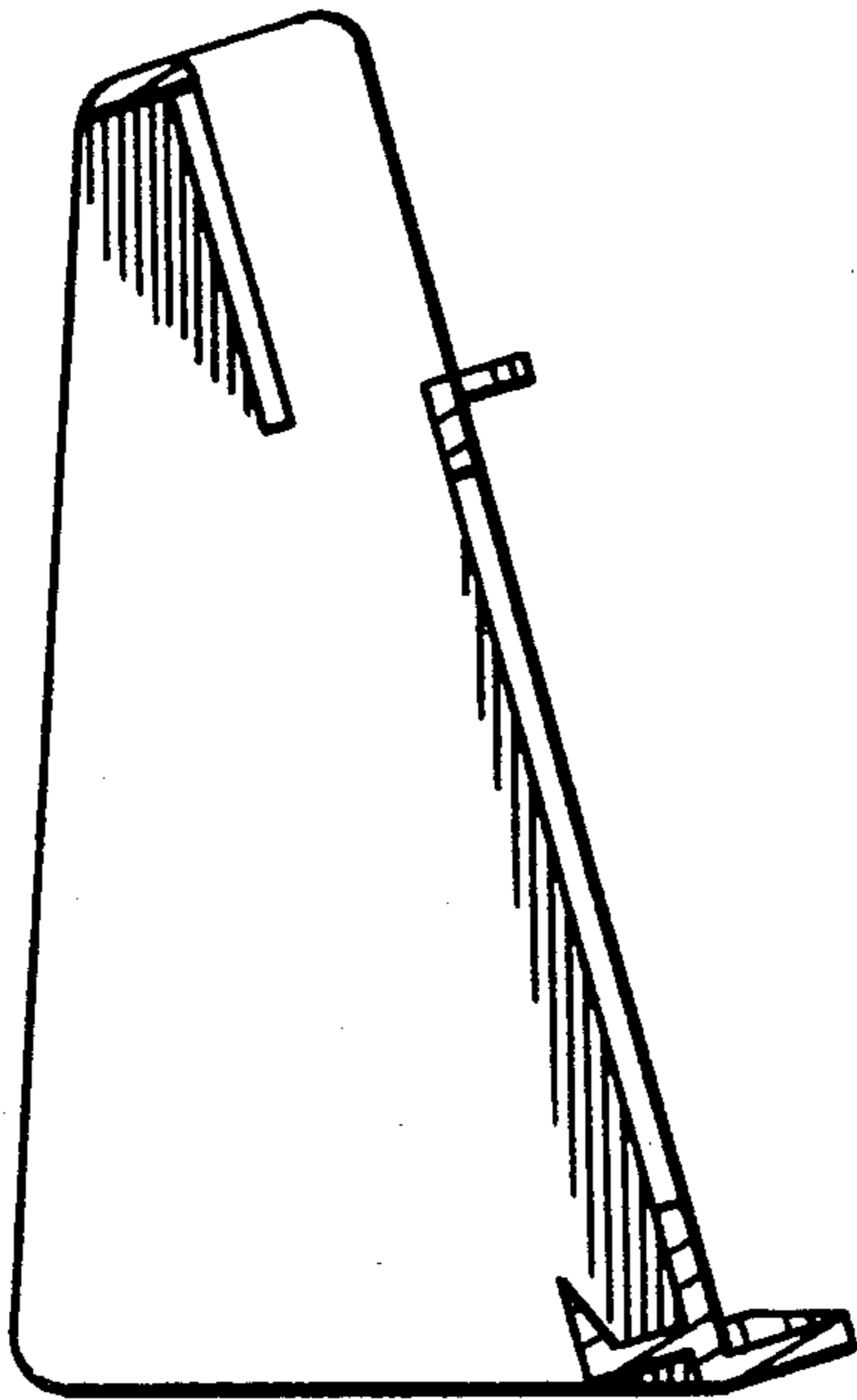


FIG. 15

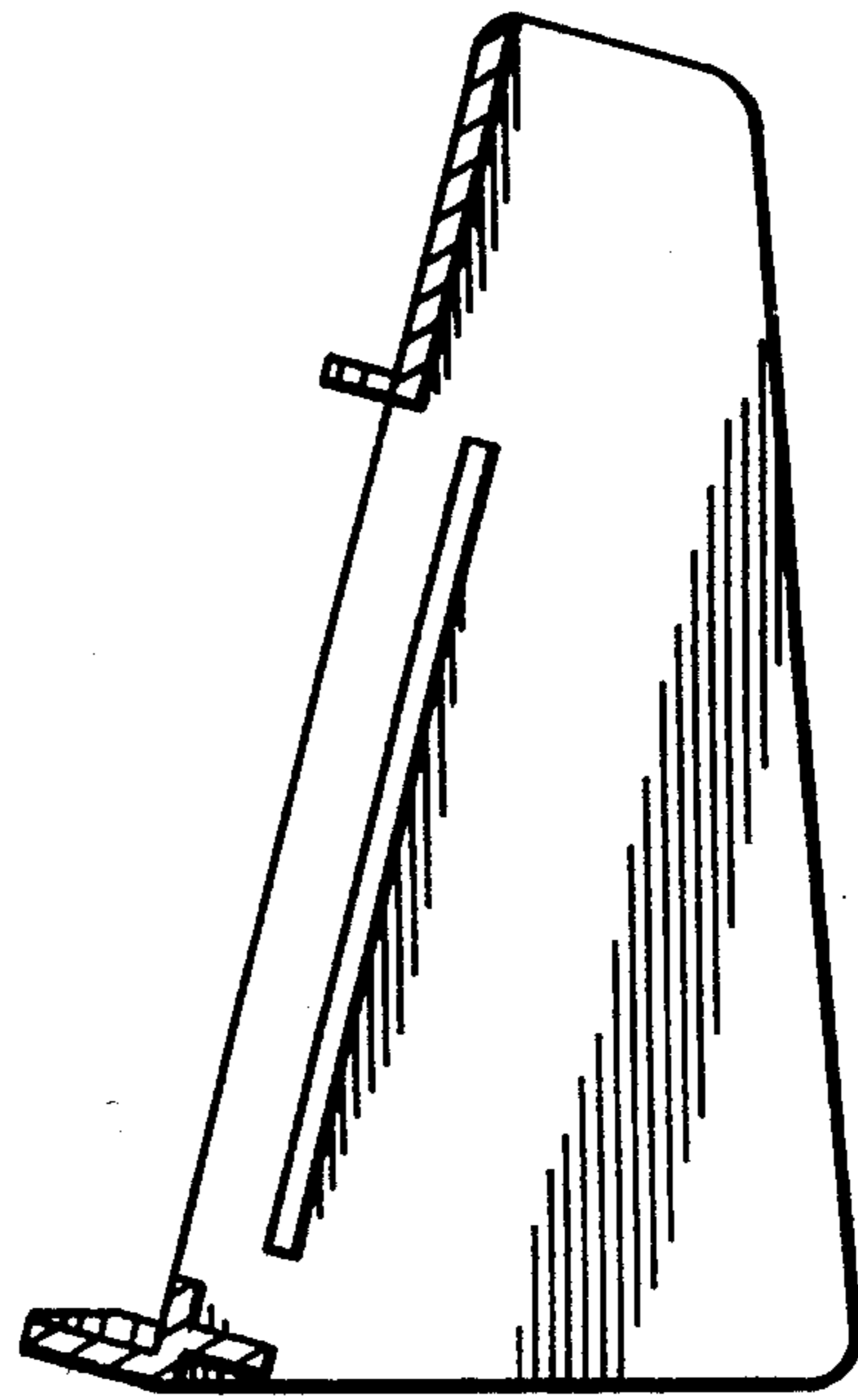


FIG. 16

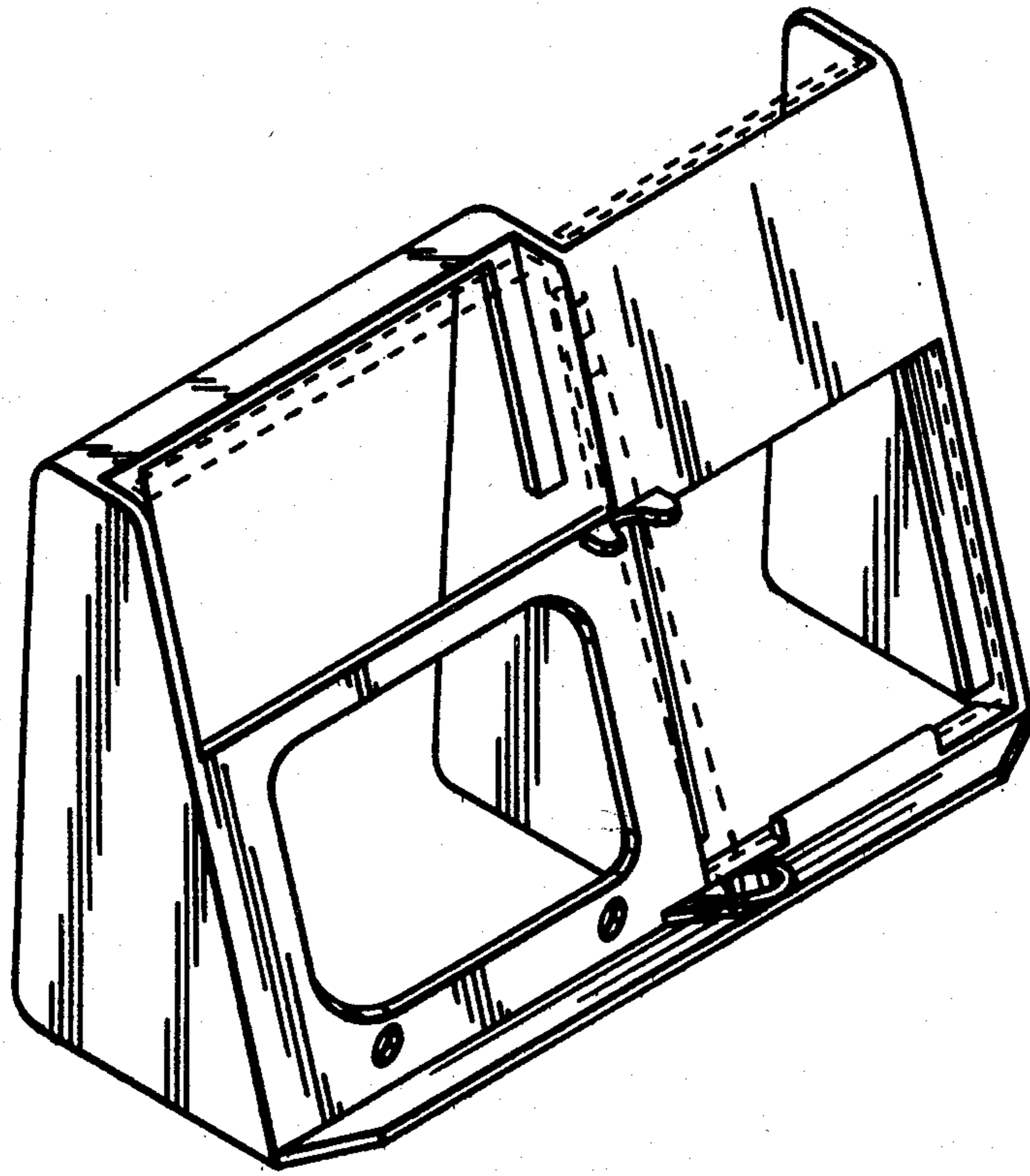


FIG. 17

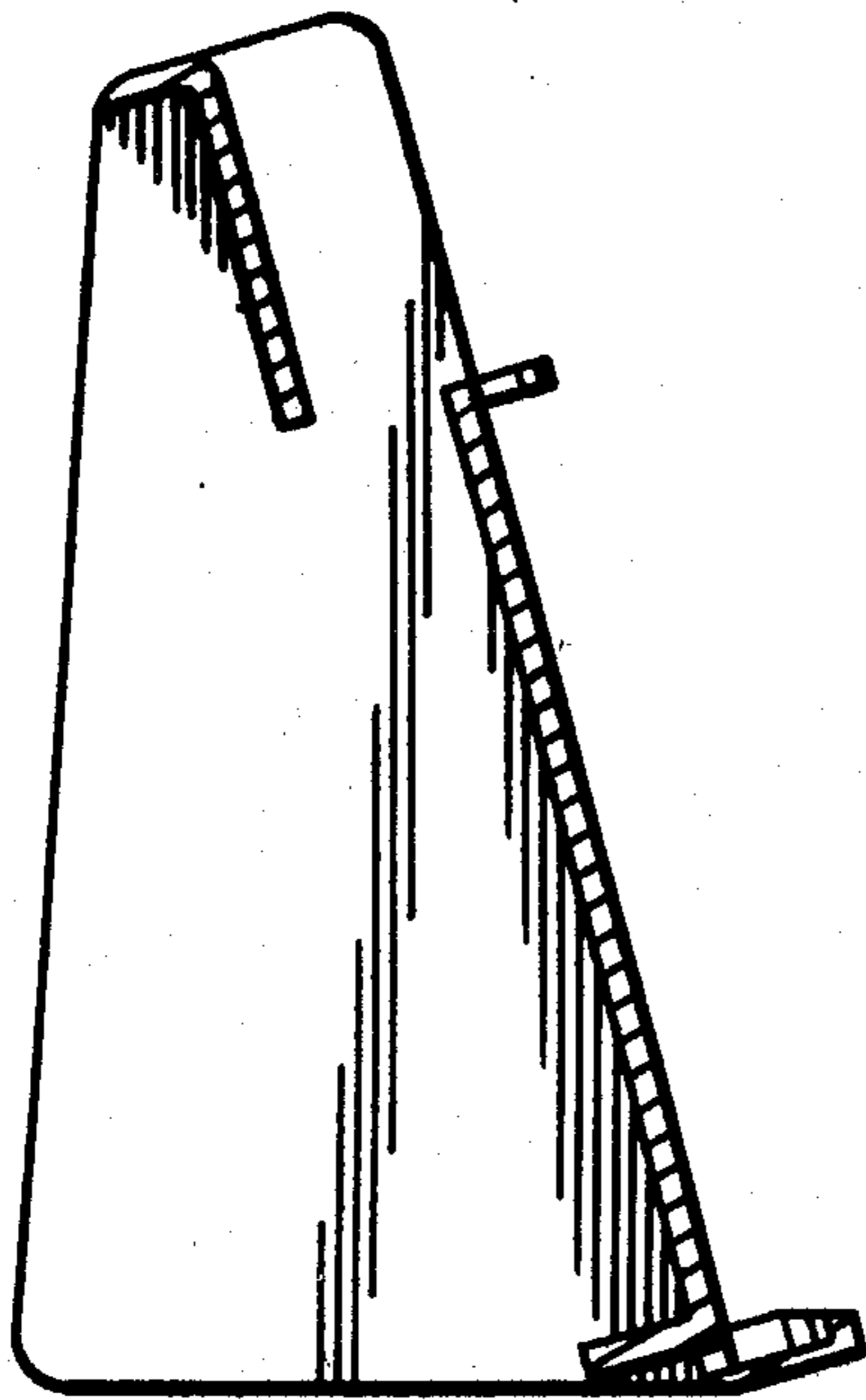


FIG. 18

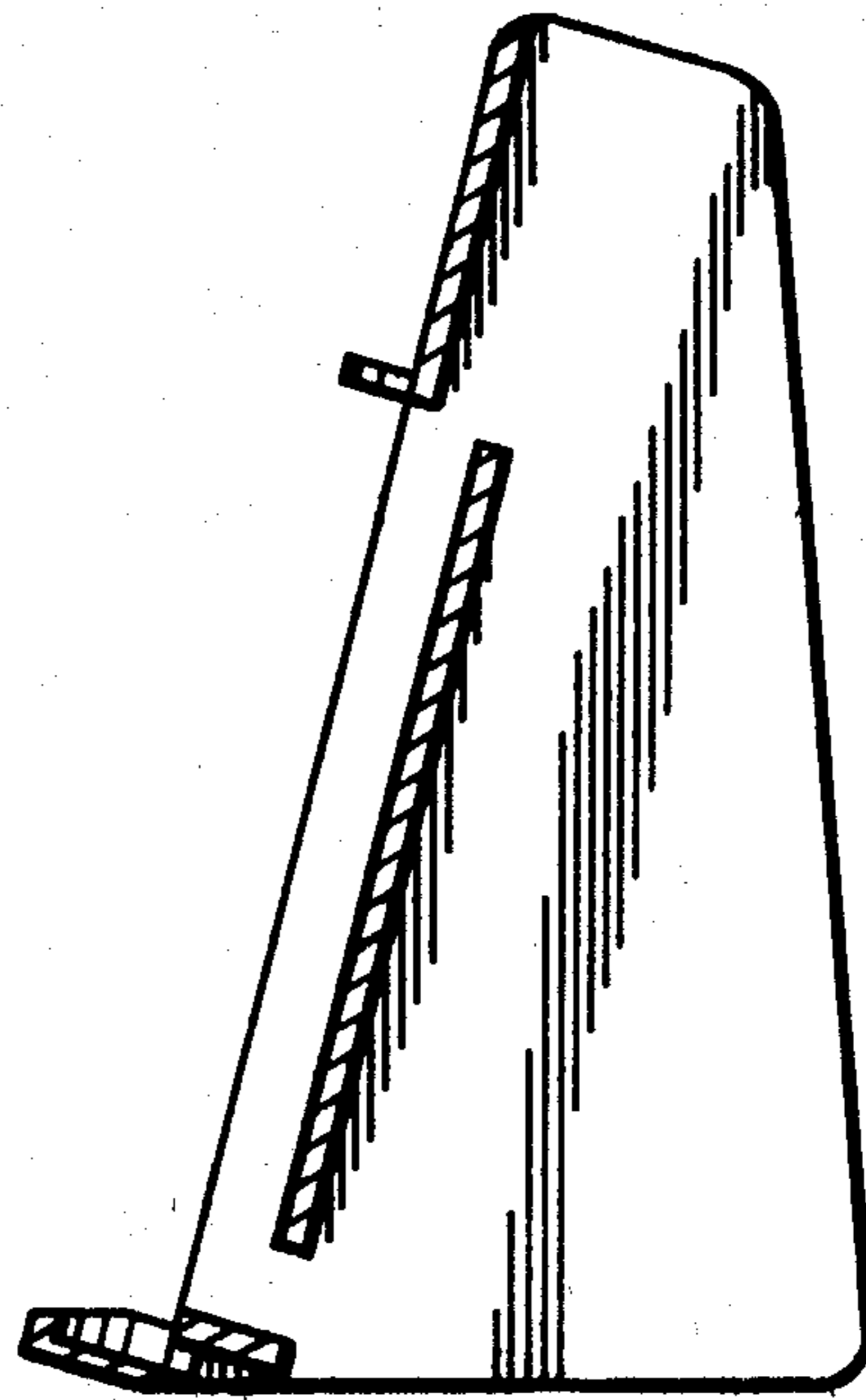


FIG. 19