

[54] CASSETTE FOR A ROLLED LABEL STRIP

[75] Inventors: Yo Sato, Tokyo; Tadao Kashiwaba, Iwate, both of Japan

[73] Assignee: Kabushiki Kaisha Sato, Japan

[**] Term: 14 Years

[21] Appl. No.: 385,768

[22] Filed: Jun. 7, 1982

[52] U.S. Cl. D18/19; D18/22

[58] Field of Search D18/13-15, D18/18, 19, 22, 99; 101/111, 288; 156/384, DIG. 48, DIG. 49, DIG. 28, DIG. 29, DIG. 33

[56] References Cited

U.S. PATENT DOCUMENTS

D. 268,595	4/1983	Beers	D18/19
D. 269,526	6/1983	Holland-Letz	D18/19
3,522,131	7/1970	Sato et al.	156/384
3,890,188	6/1975	Sams	156/384

4,149,460	4/1979	Sato	101/288 X
4,316,759	2/1982	Becker et al.	156/DIG. 33

Primary Examiner—Louis S. Zarfes
Attorney, Agent, or Firm—Ostrolenk, Faber, Gerb & Soffen

[57] CLAIM

The ornamental design for a cassette for a rolled label strip, as shown.

DESCRIPTION

FIG. 1 is a left side elevational view of a cassette for a rolled label strip showing our new design; FIG. 2 is a right side elevational view thereof; FIG. 3 is a front view thereof; FIG. 4 is a rear view thereof; FIG. 5 is a top plan view thereof; FIG. 6 is a bottom plan view thereof; FIG. 7 is a side elevational cross-sectional view thereof; and FIG. 8 is a left side perspective view thereof.

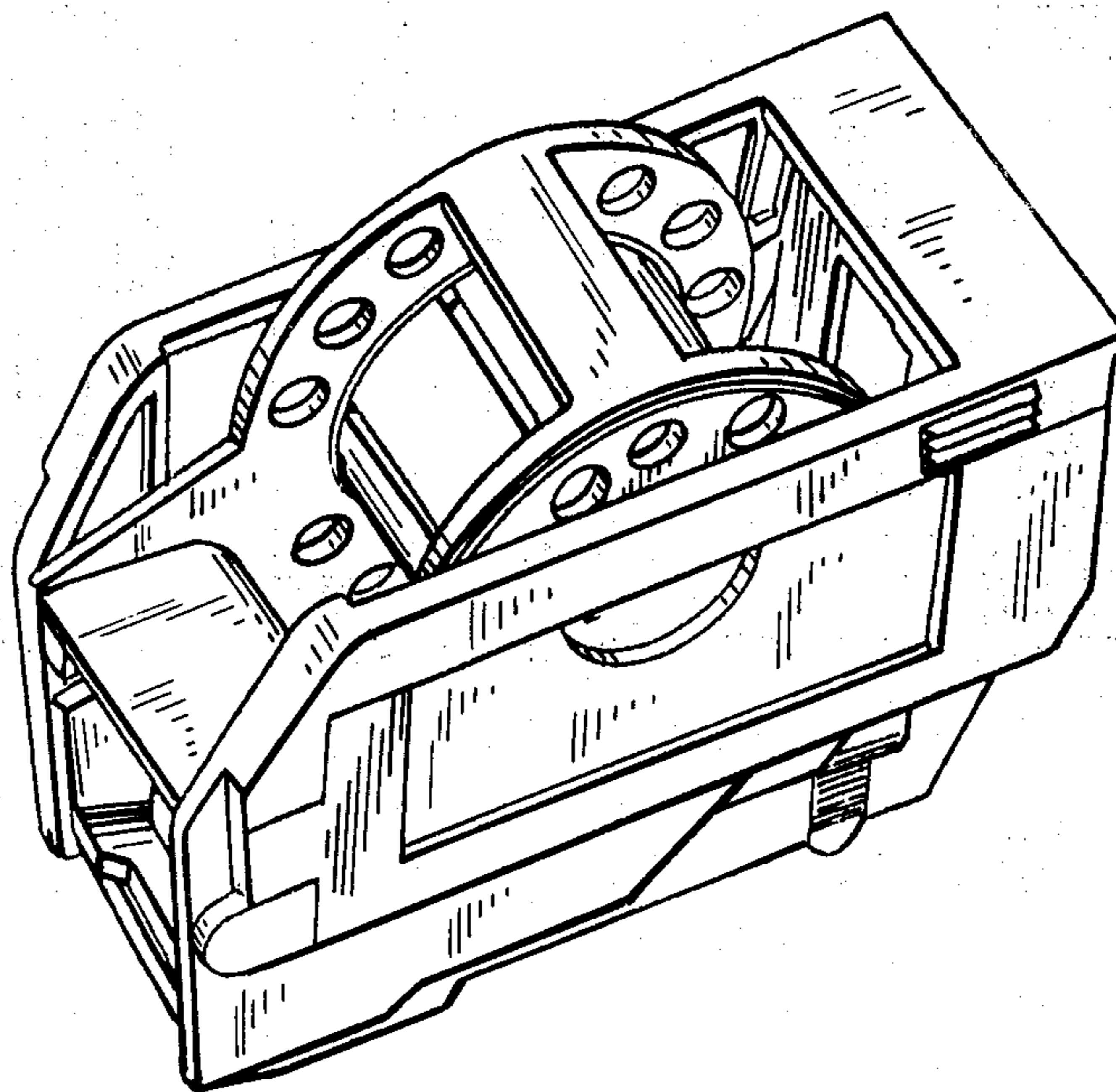


FIG. 1

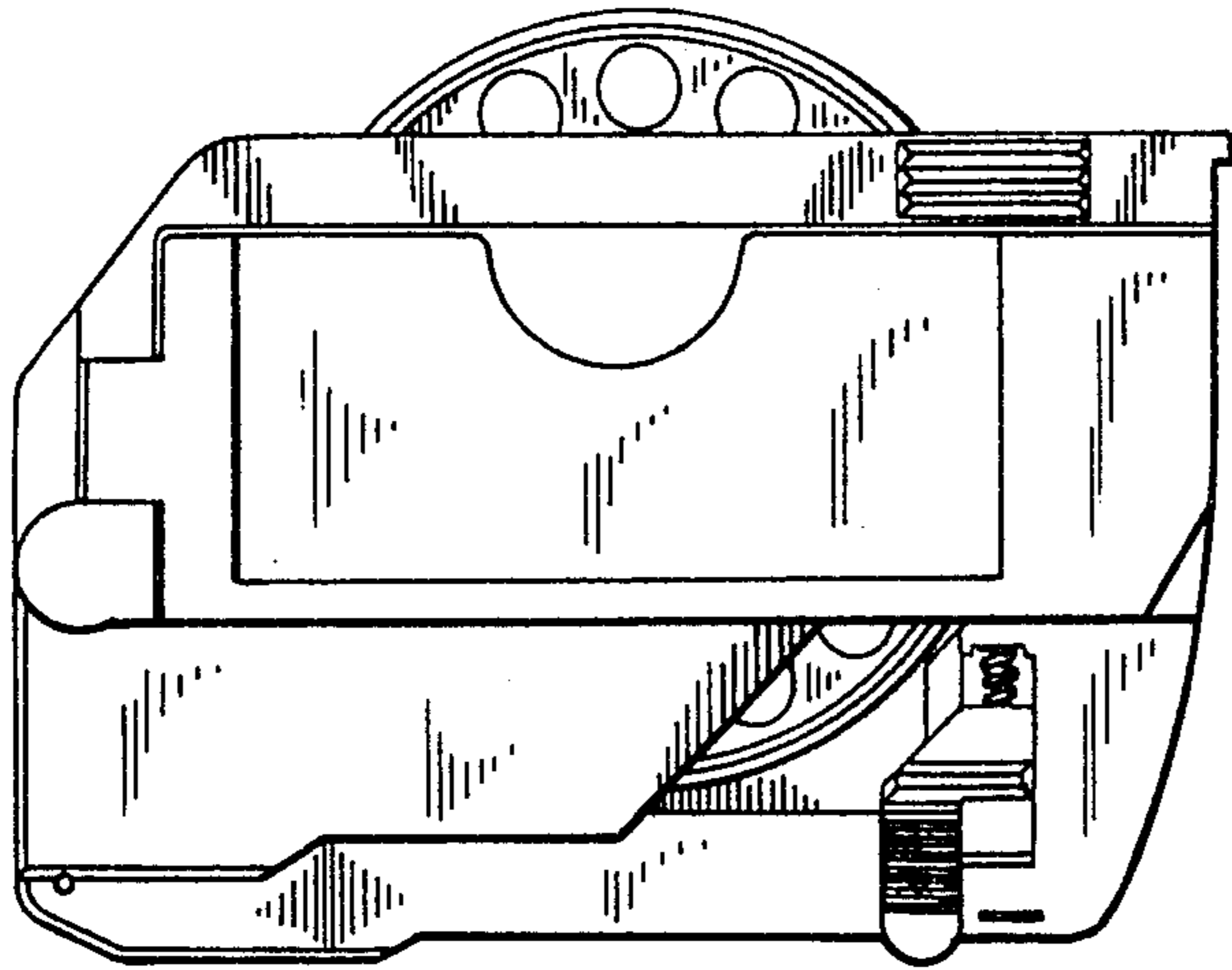


FIG. 3

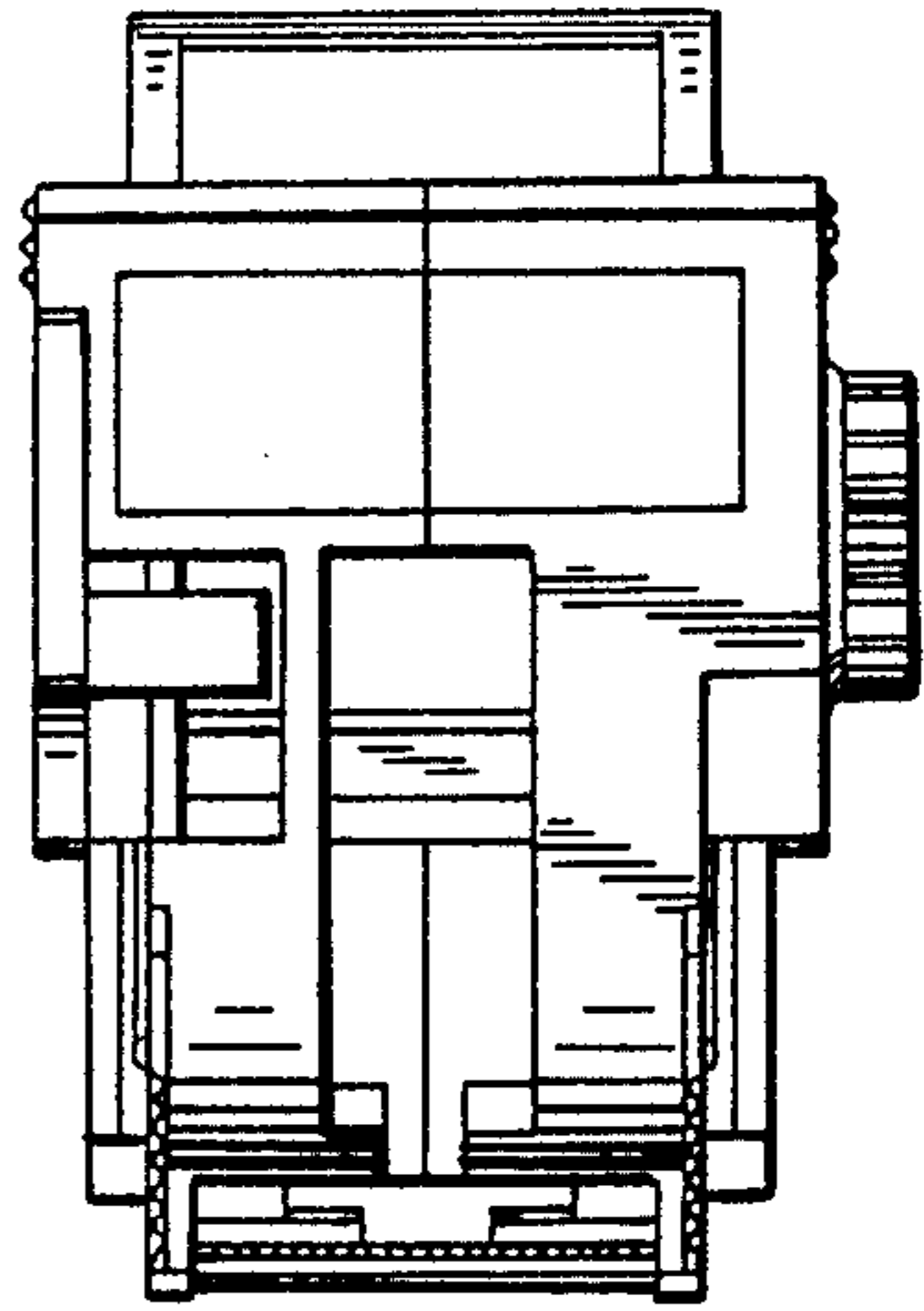


FIG. 2

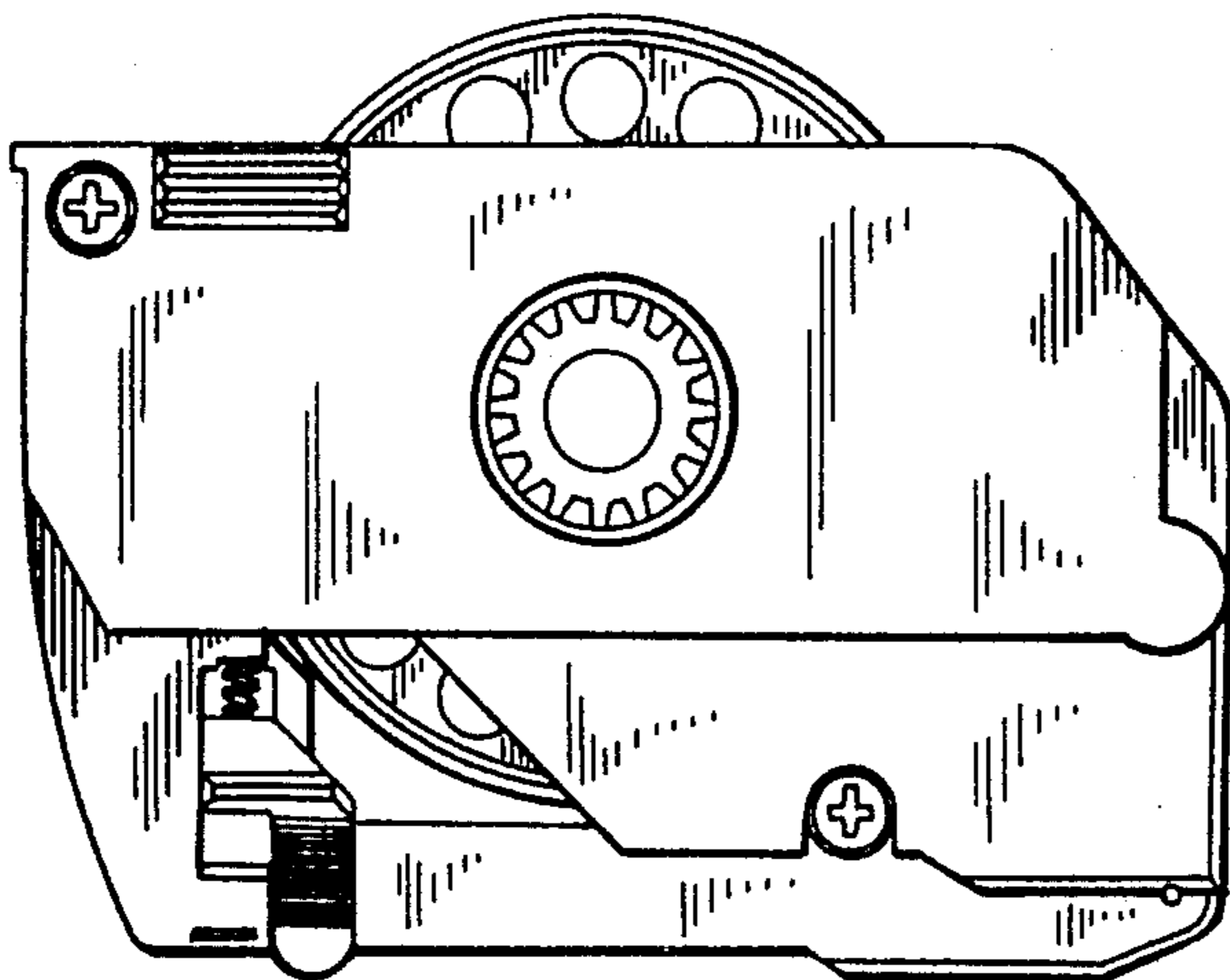


FIG. 4

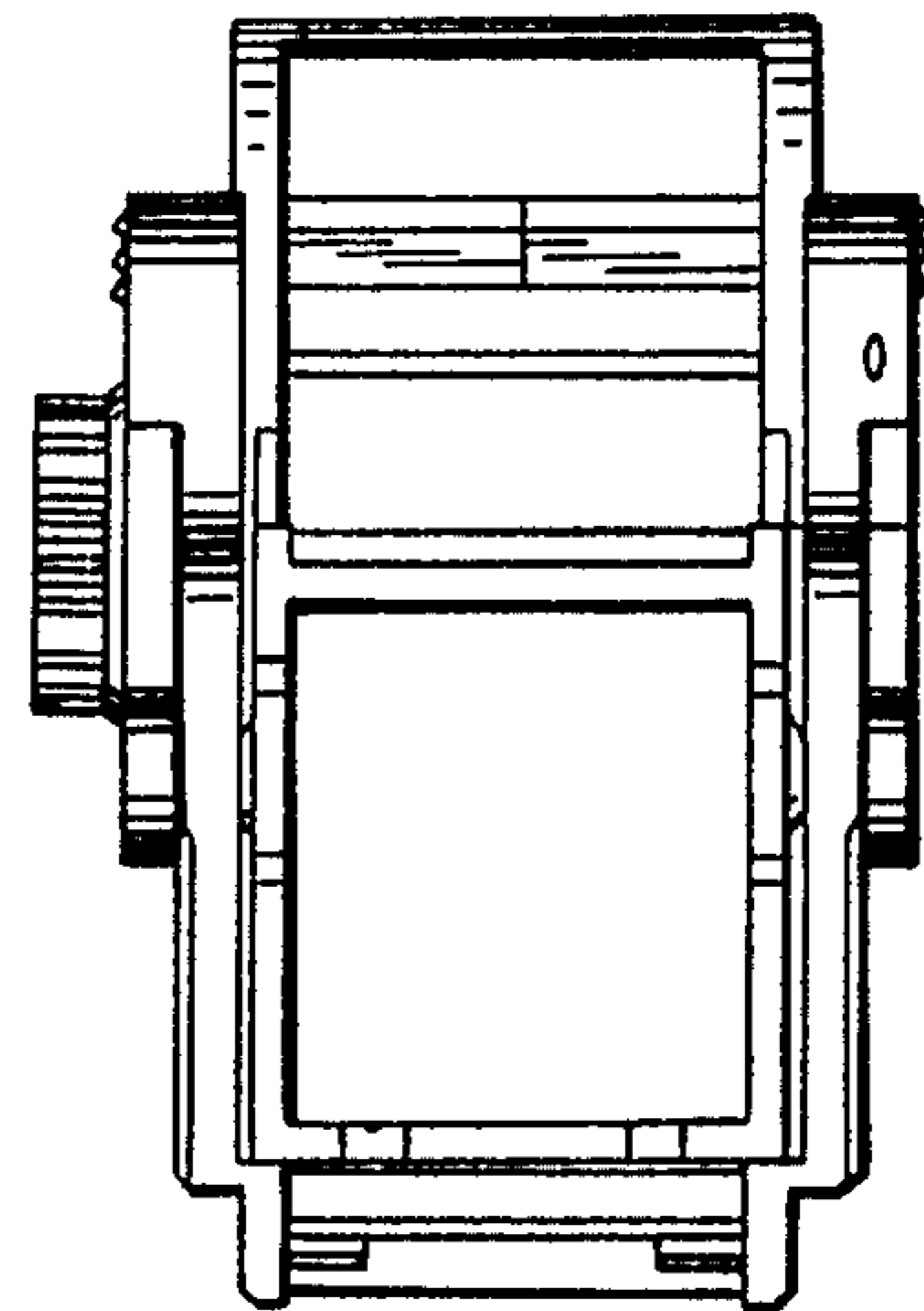


FIG. 5

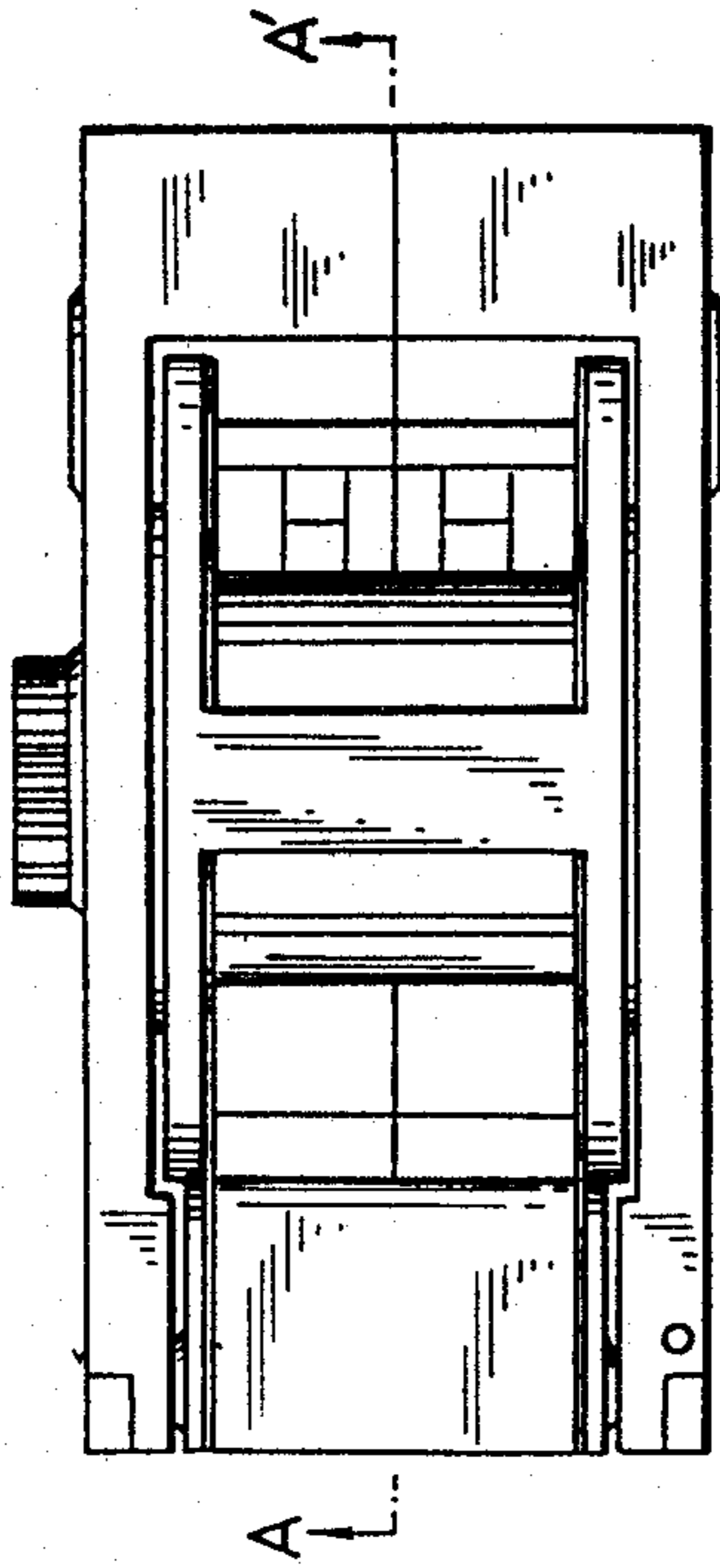


FIG. 6

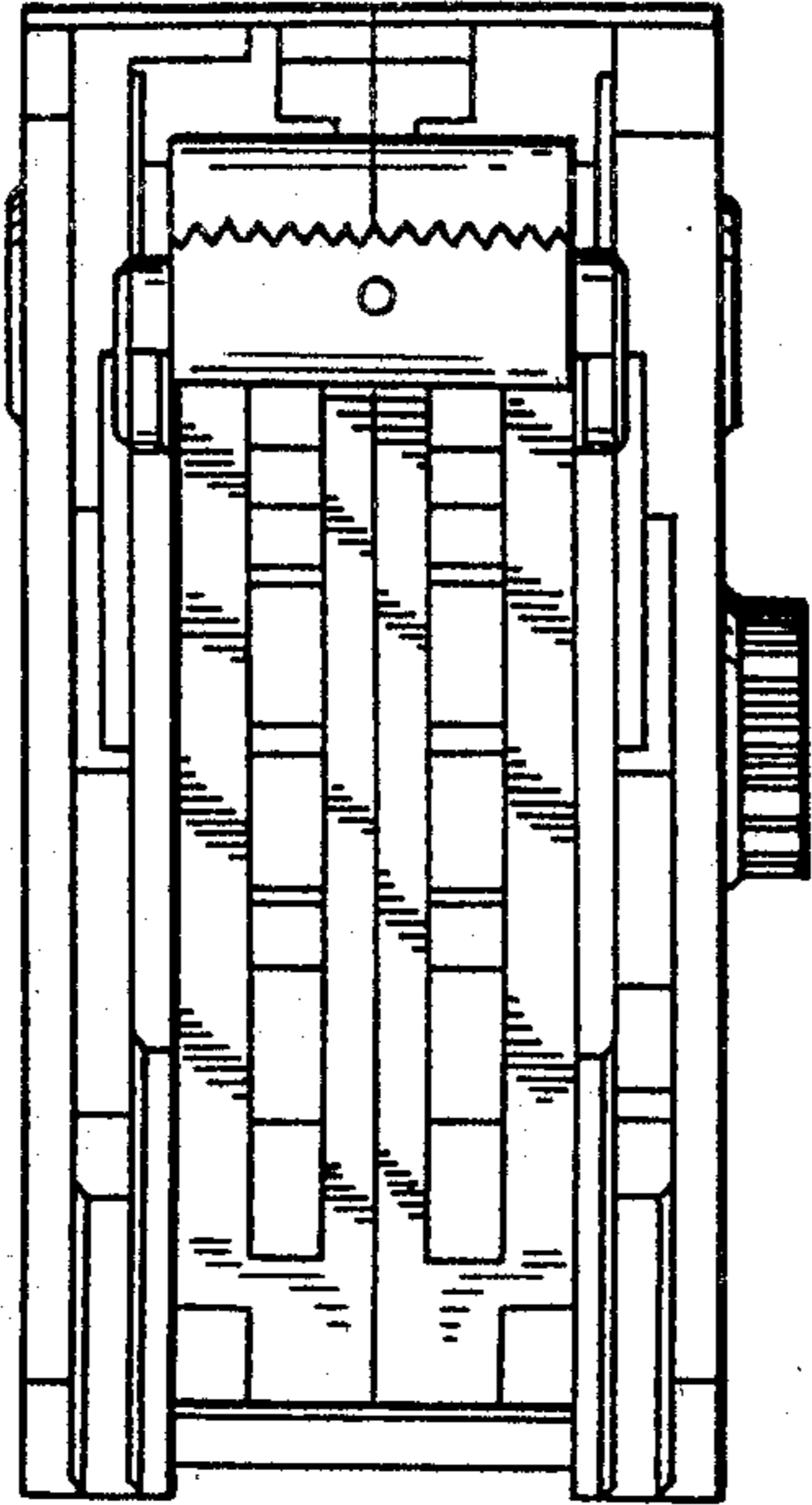


FIG. 7

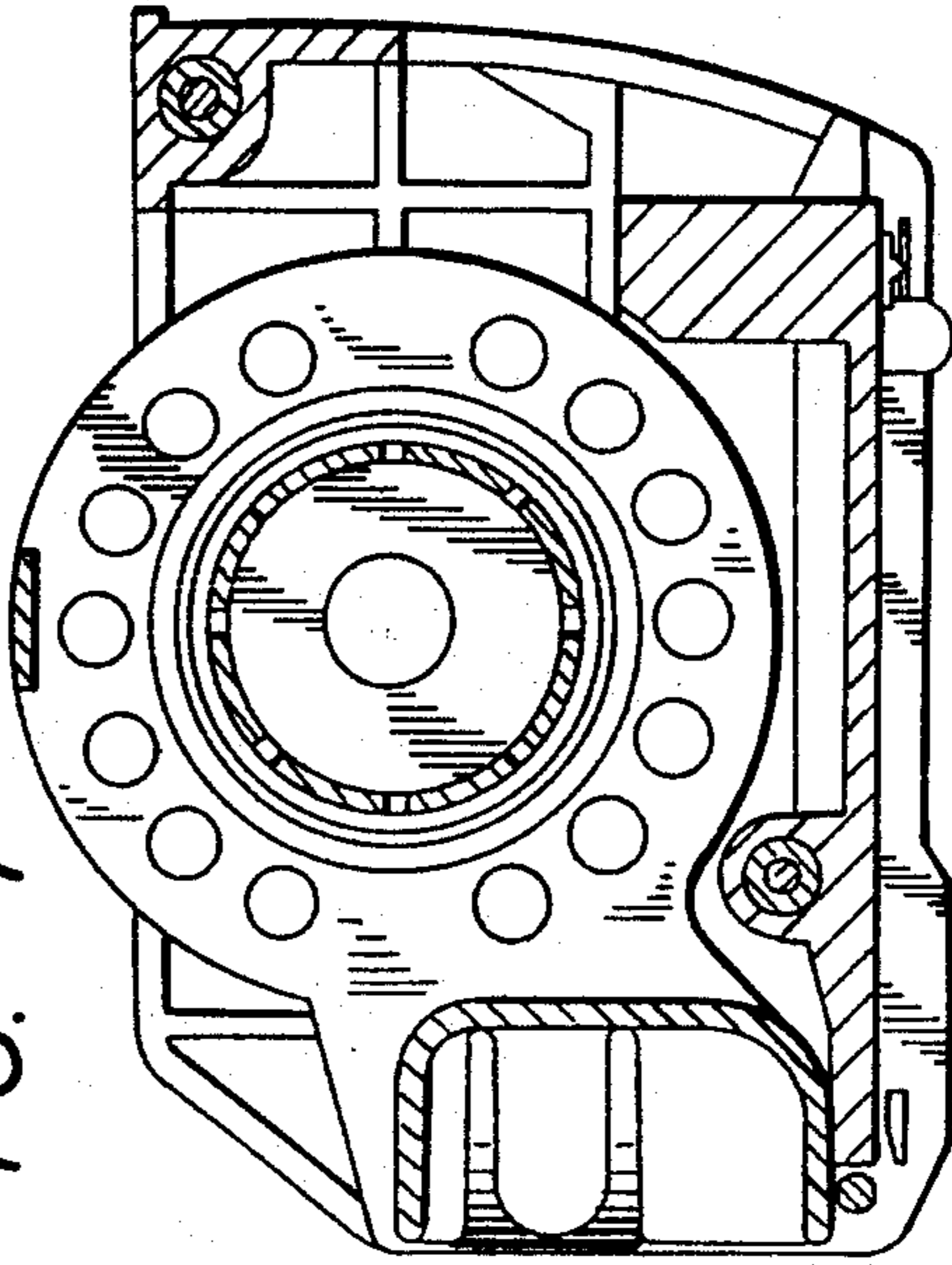


FIG. 8

