

[54] APPARATUS FOR CUTTING BY MELTING

[76] Inventor: Mototsugu Matsuo, 4-36, 2-chome, Nakazakinishi, Kita-ku, Osaka-shi, Japan

[**] Term: 14 Years

[21] Appl. No.: 415,886

[22] Filed: Sep. 7, 1982

[30] Foreign Application Priority Data

Mar. 17, 1982 [JP] Japan 57-011097

[52] U.S. Cl. D15/144; D15/127

[58] Field of Search 219/68, 69 R, 70, 121 EH, 219/121 EJ; D15/144, 127; D8/30

[56] References Cited

U.S. PATENT DOCUMENTS

- D. 188,420 7/1960 Brunson et al. D15/144
- D. 239,431 4/1976 Spencer D8/30
- 1,810,212 6/1931 Hinds 219/70

- 2,316,388 4/1943 Anms 219/68
- 3,415,970 12/1968 Cline 219/70

OTHER PUBLICATIONS

Thermal Arc Catalog No. 3-2445; plasma cutting/pilot console.

Primary Examiner—B. J. Bullock
Attorney, Agent, or Firm—Wenderoth, Lind & Ponack

[57] CLAIM

The ornamental design for an apparatus for cutting by melting, substantially as shown and described.

DESCRIPTION

FIG. 1 is a front view of apparatus for cutting by melting showing the new design;
 FIG. 2 is a rear view thereof;
 FIG. 3 is a side view taken from the right of FIG. 1;
 FIG. 4 is a side view taken from the left of FIG. 1;
 FIG. 5 is a top view thereof; and
 FIG. 6 is a bottom view thereof.

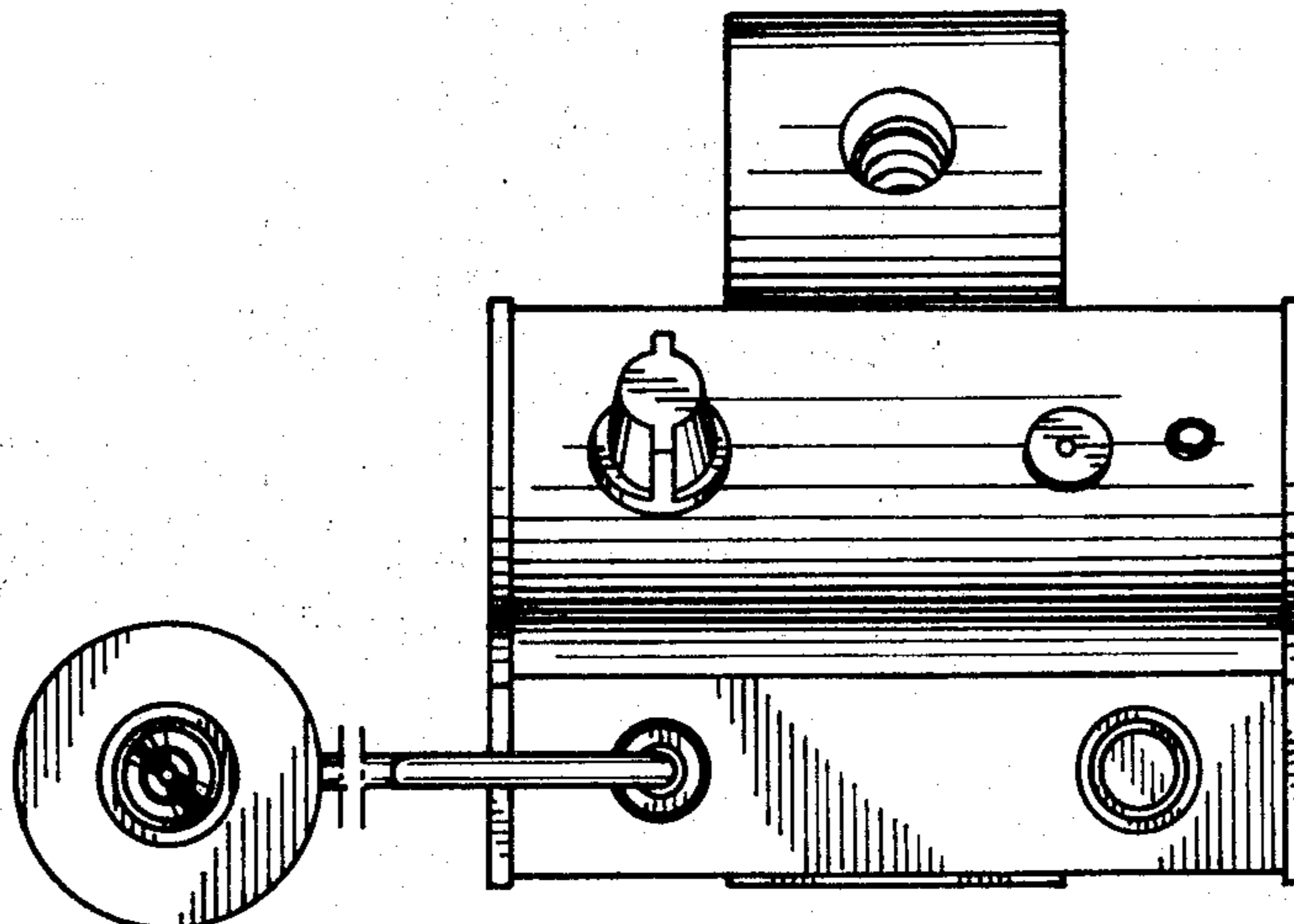


FIG. 1

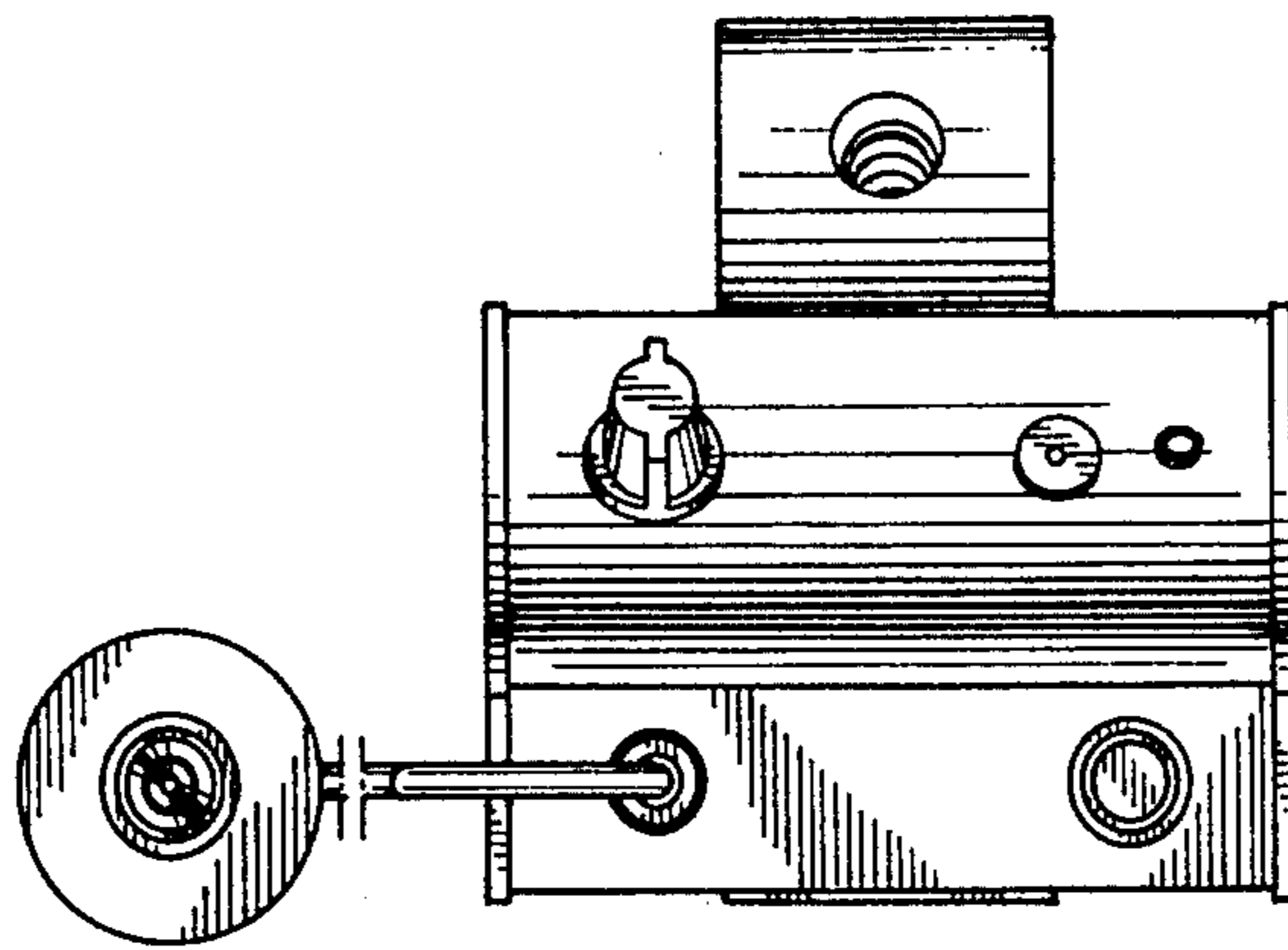


FIG. 2

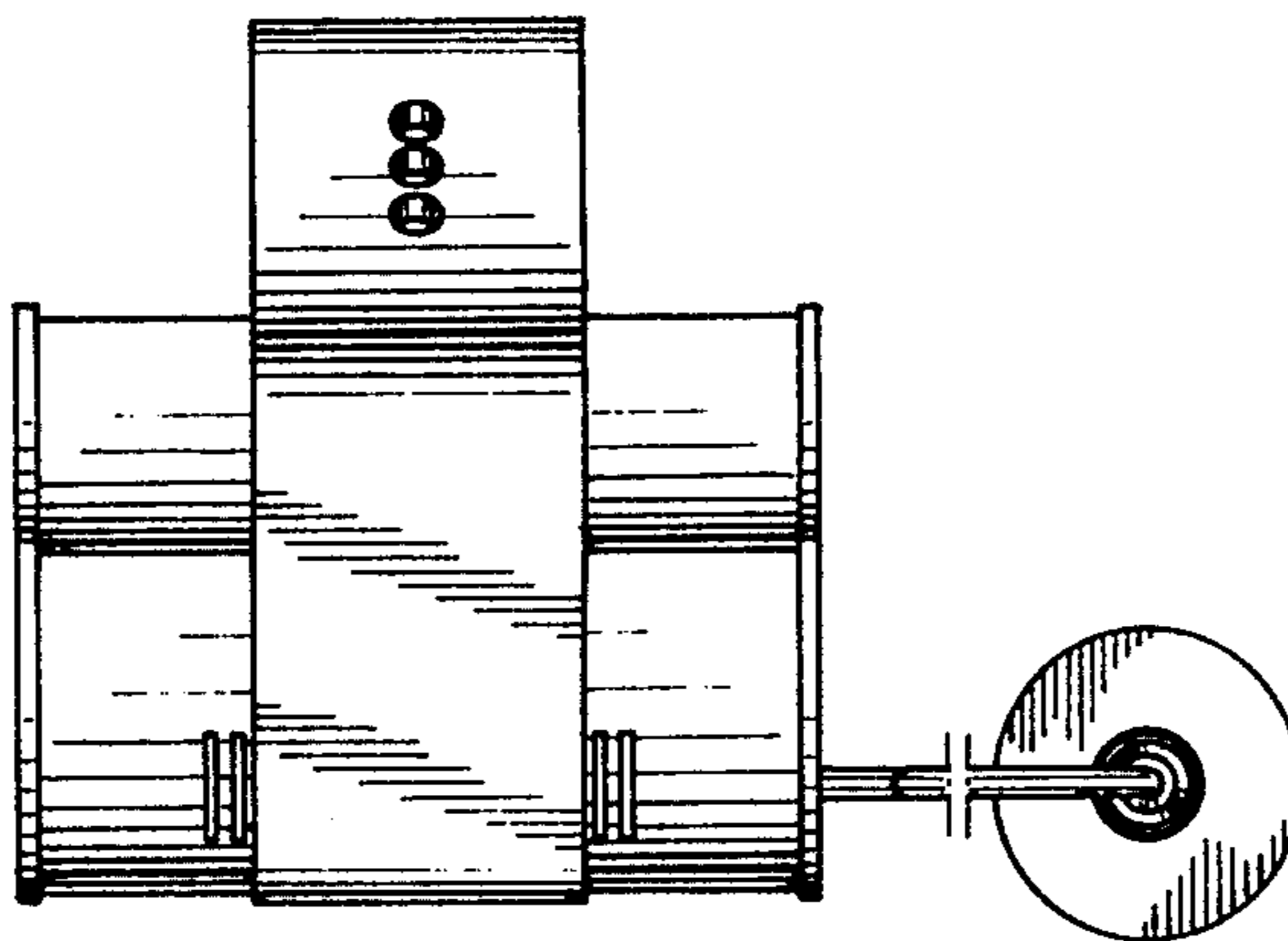


FIG. 3

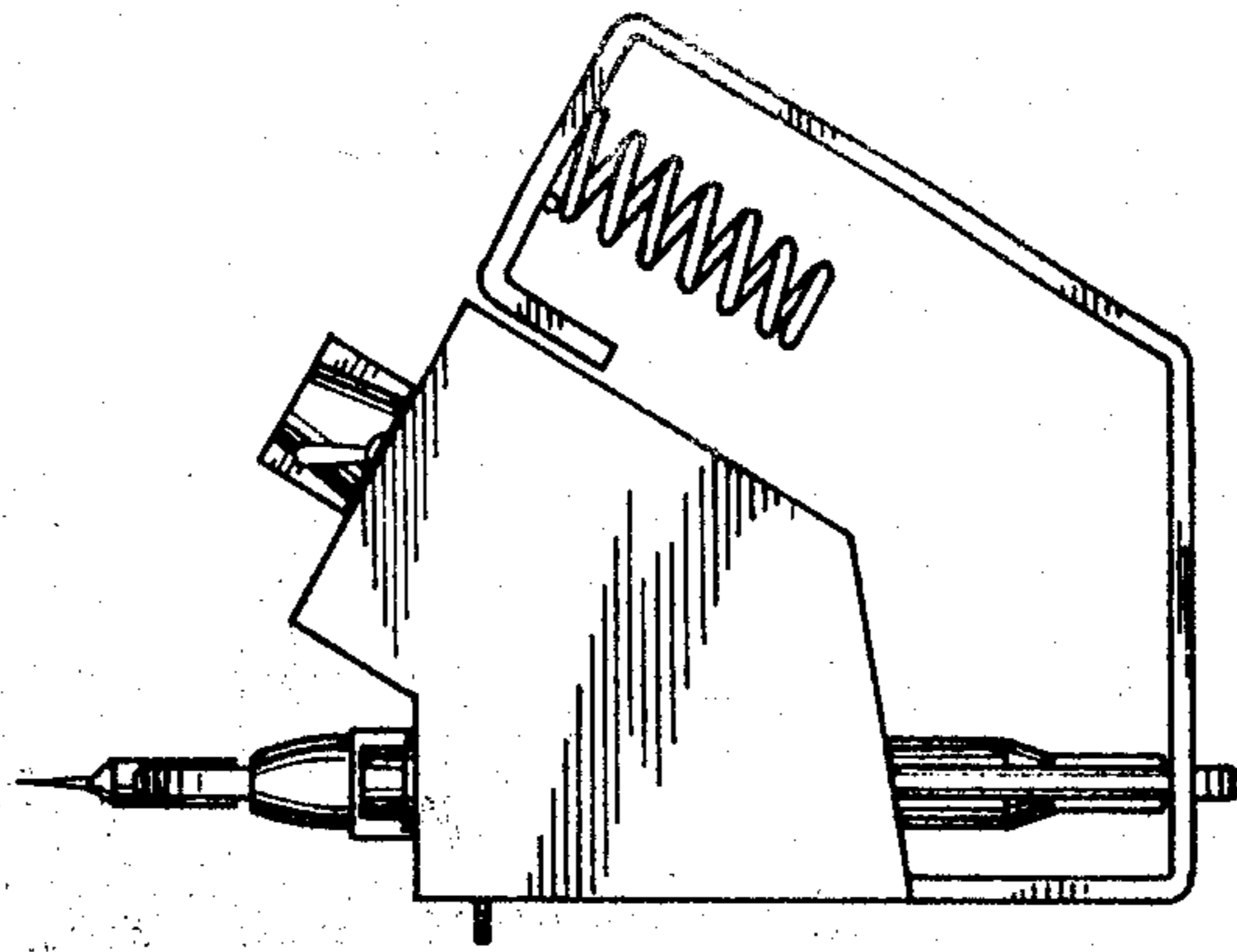


FIG. 4

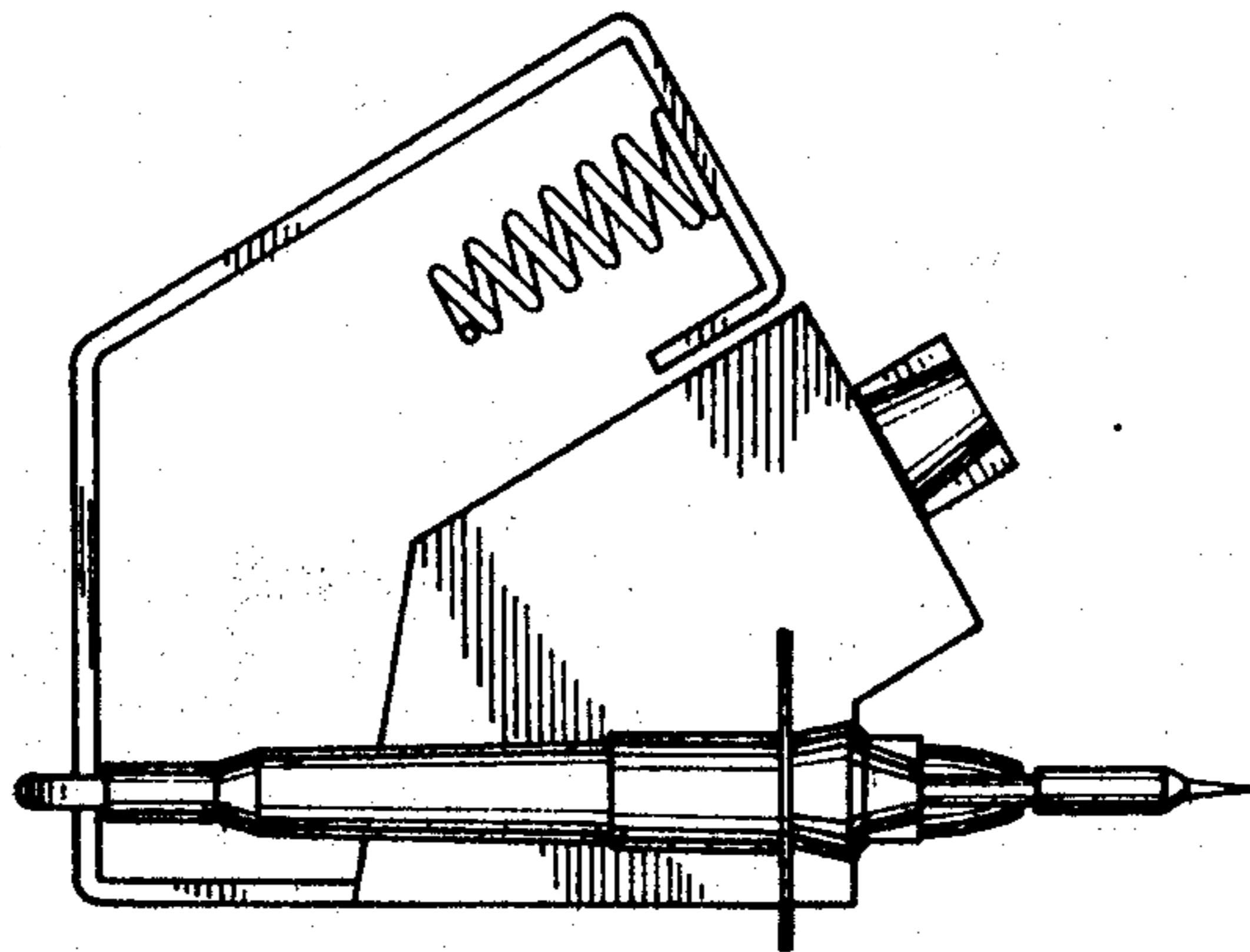


FIG. 5

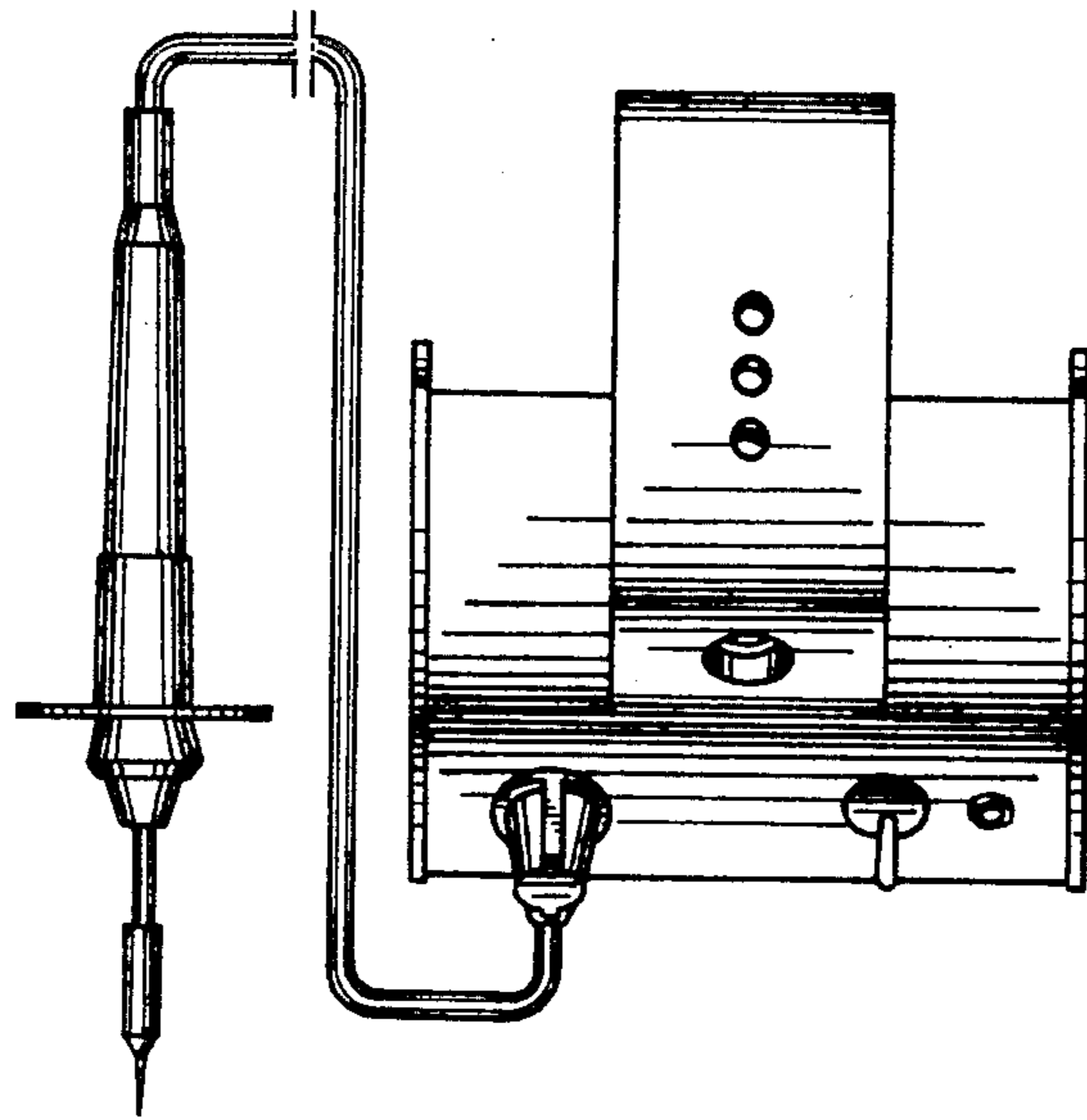


FIG. 6

