

[54] PROTECTIVE HOOD FOR A CIRCULAR SAW

4,028,975 6/1977 Bennett ..... 83/544  
4,318,324 3/1982 Hall ..... 83/397  
4,343,213 8/1982 Drixler ..... 83/397

[75] Inventor: Cornelis A. M. von der Wouw, Tilburg, Netherlands

Primary Examiner—B. J. Bullock  
Attorney, Agent, or Firm—Diller, Ramik & Wight

[73] Assignee: Machinefabriek Bewo B.V., Tilburg, Netherlands

[57] CLAIM

[\*\*] Term: 14 Years

The ornamental design for a protective hood for a circular saw, as shown and described.

[21] Appl. No.: 300,678

DESCRIPTION

[22] Filed: Sep. 9, 1981

FIG. 1 is a side elevational view of the protective hood for a circular saw showing my new design,

[52] U.S. Cl. .... D15/133

FIG. 2 is an end elevational view taken from the right of FIG. 1;

[58] Field of Search ..... D15/133, 138; 83/397, 83/478, 544

FIG. 3 is a front perspective view thereof;

FIG. 4 is a rear perspective view thereof;

FIG. 5 is a side elevational view with the hood open;

FIG. 6 is a front perspective view with the hood opened further;

FIG. 7 is a bottom perspective view of FIG. 6.

[56] References Cited

U.S. PATENT DOCUMENTS

1,711,490 5/1929 Drummond ..... 83/478  
3,998,121 12/1976 Bennett ..... 83/478

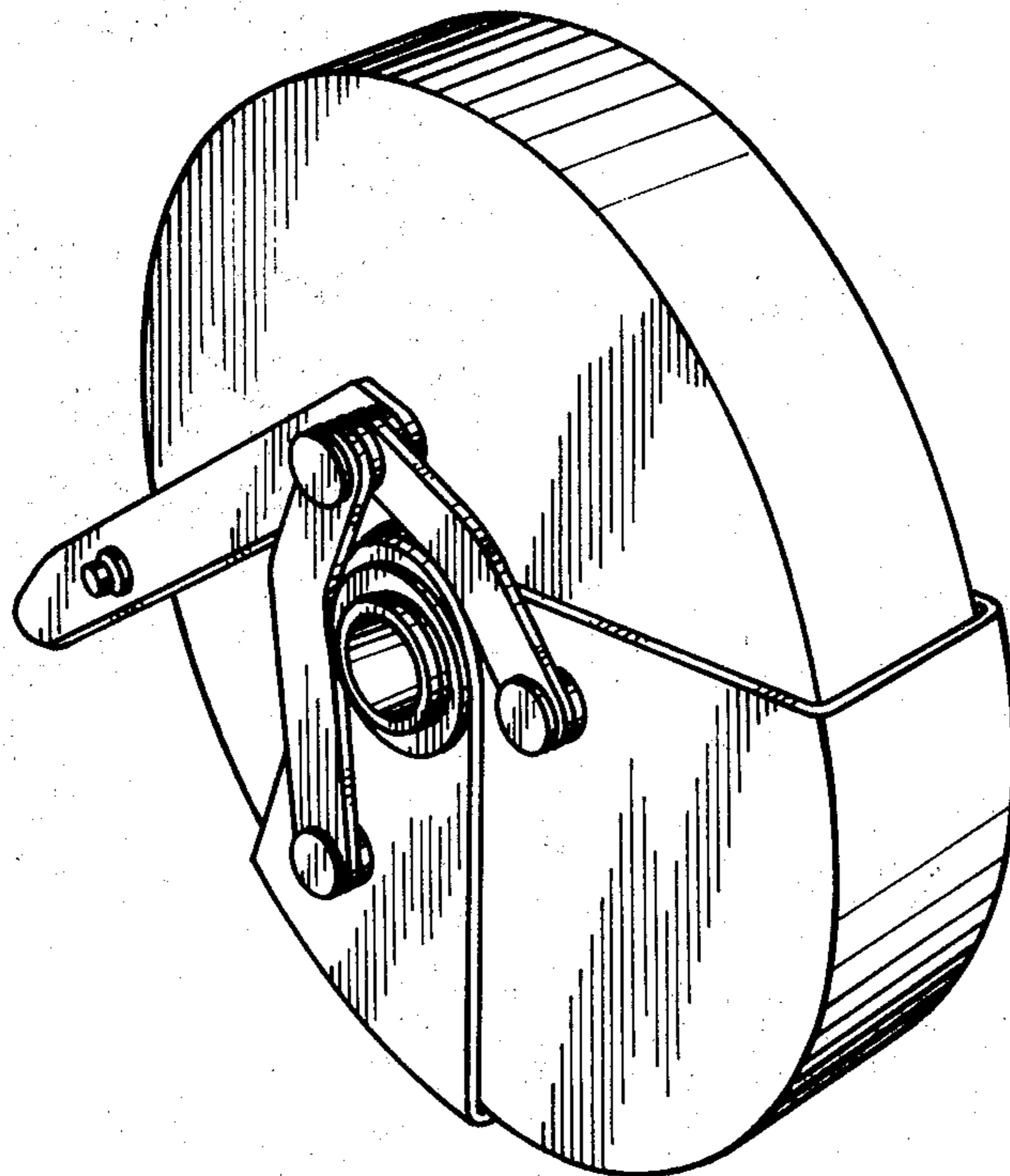


FIG. 1

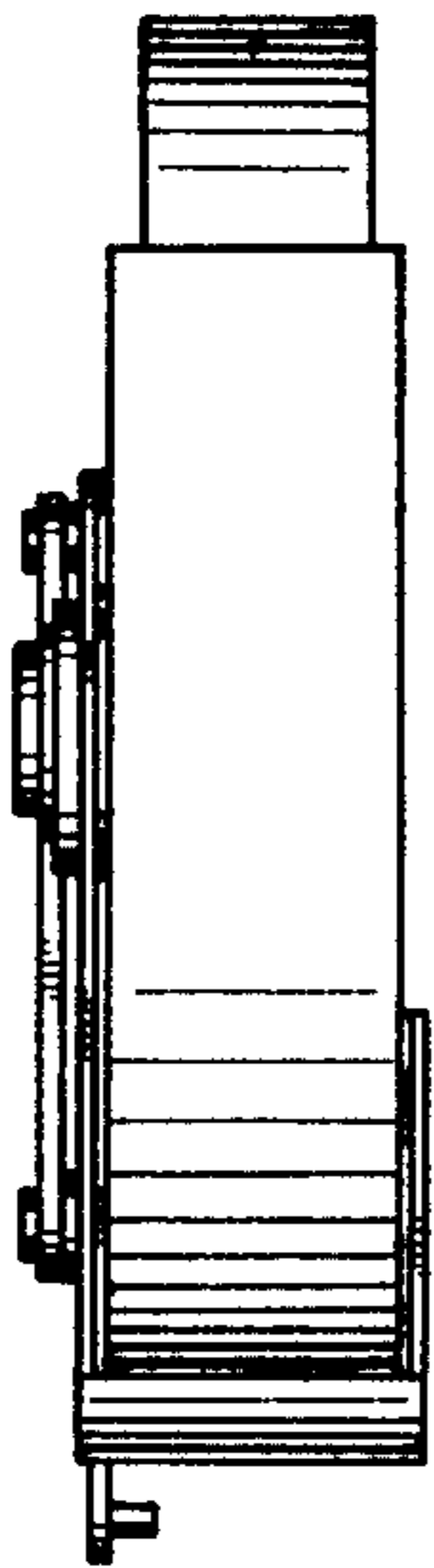
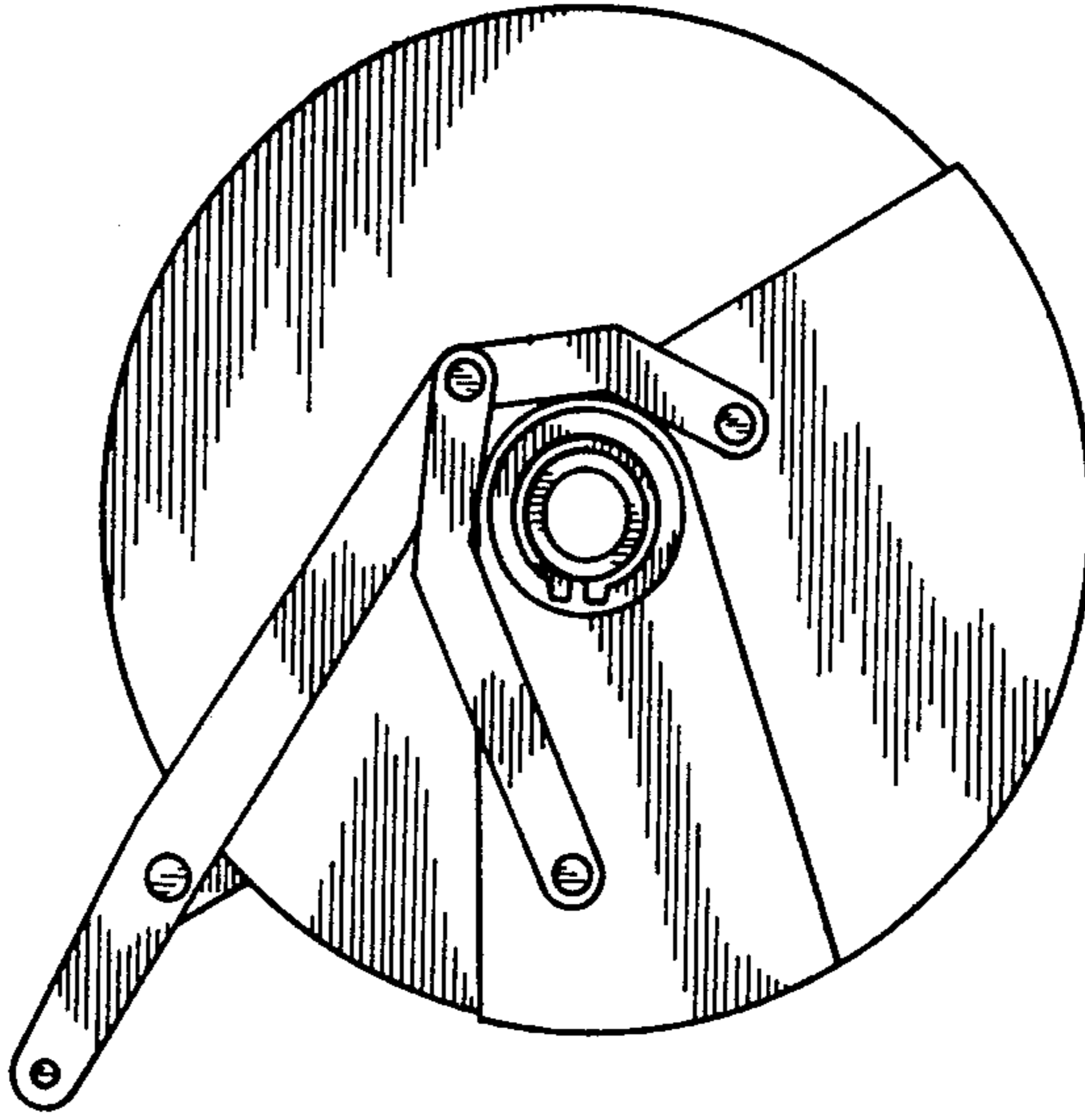


FIG. 2

FIG. 3

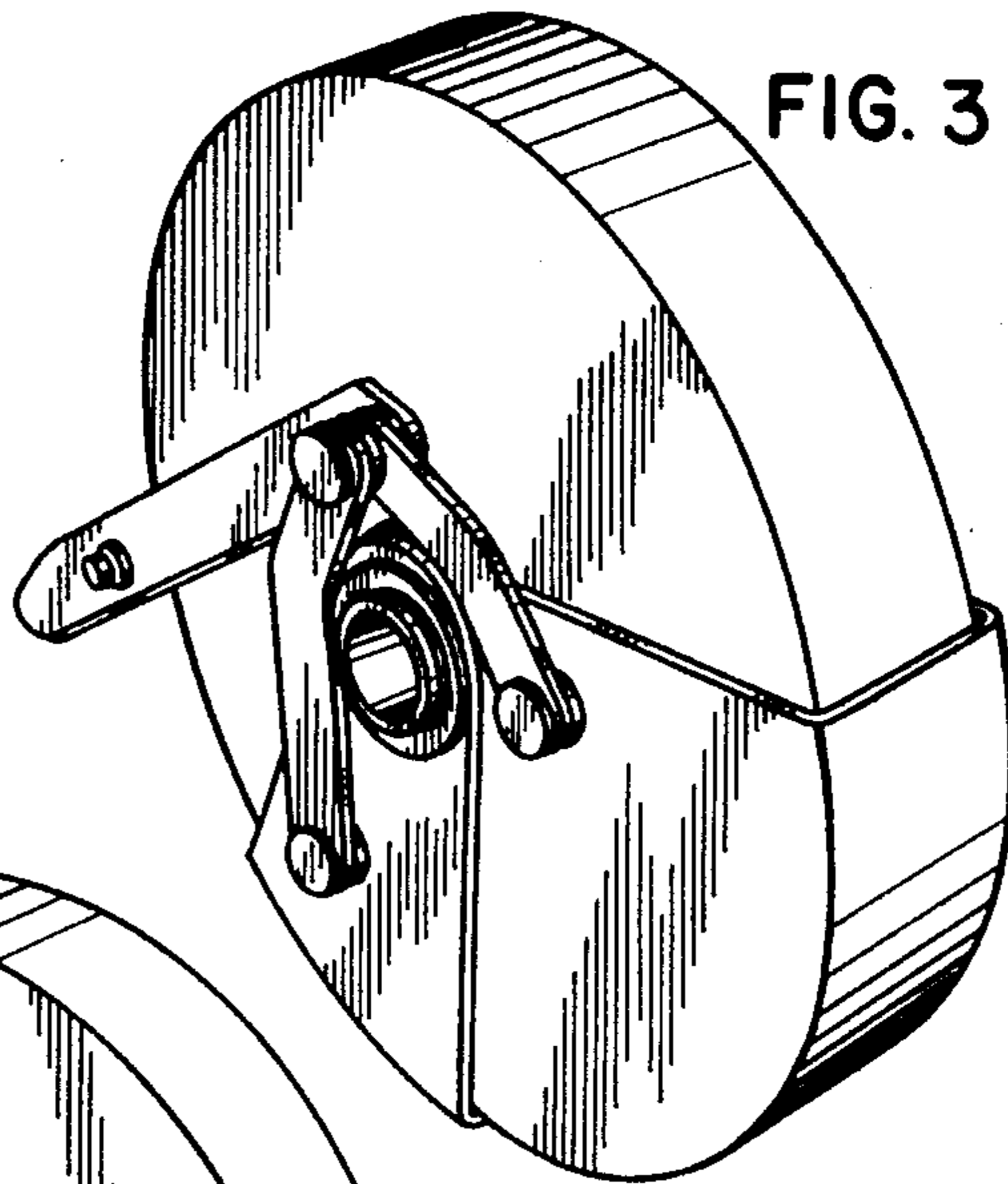


FIG. 4

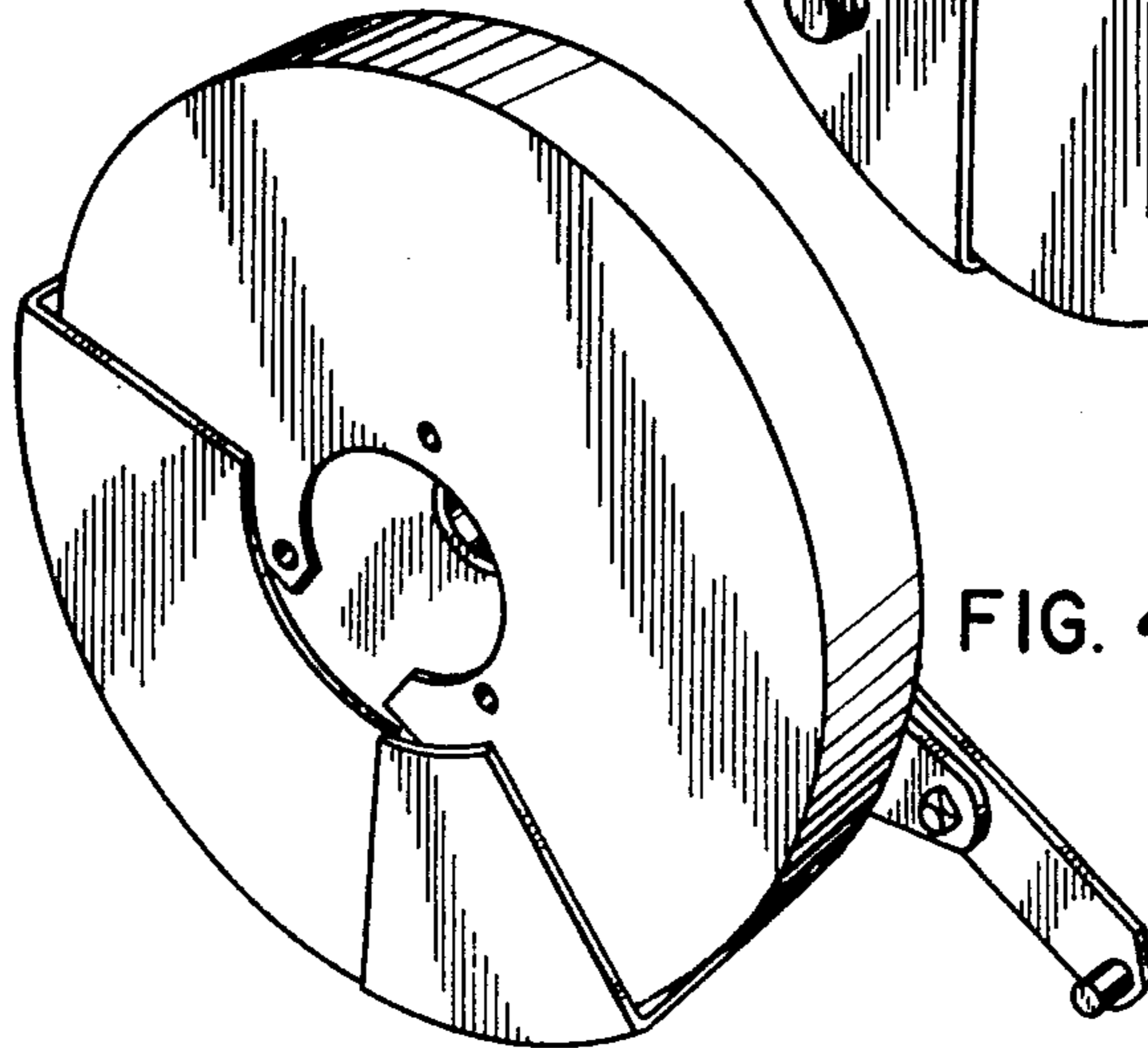


FIG. 5

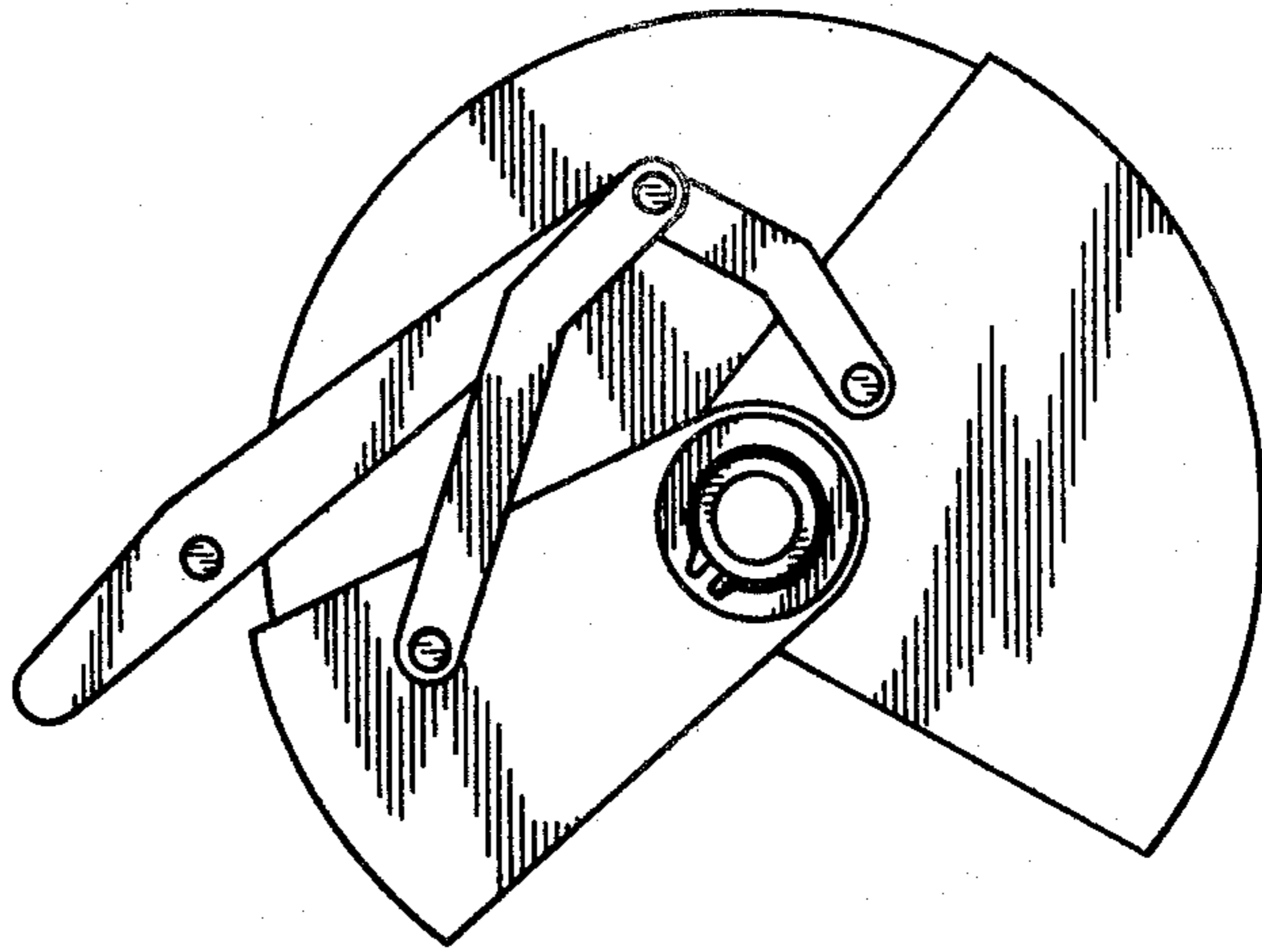


FIG. 6

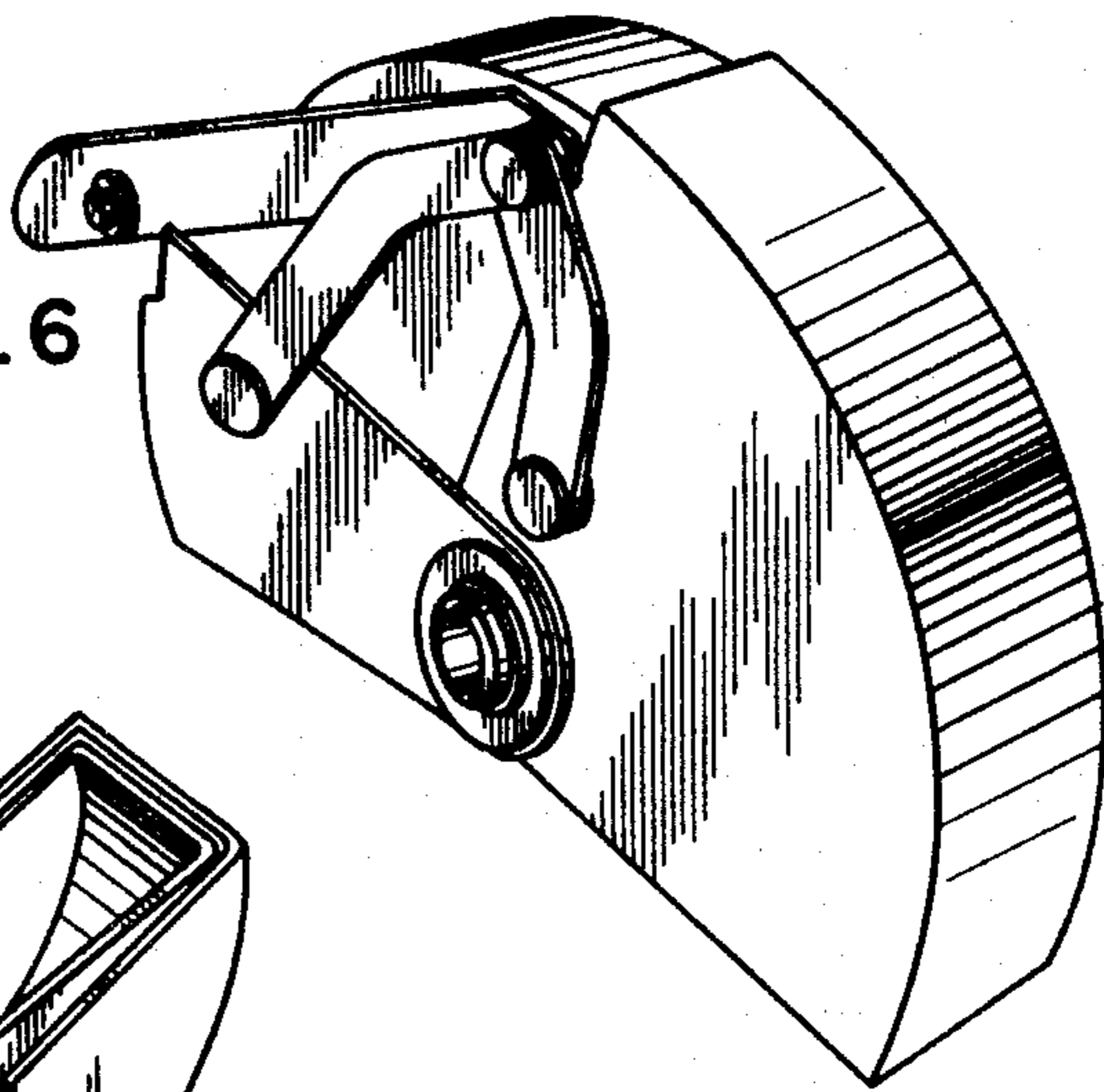


FIG. 7

