

[54] TOOL CARRIER FOR EXCAVATORS

[75] Inventor: Torsten Larsson, Karlskoga, Sweden

[73] Assignee: Aktiebolaget Bofors, Bofors, Sweden

[**] Term: 14 Years

[21] Appl. No.: 368,062

[22] Filed: Apr. 13, 1982

[30] Foreign Application Priority Data

Oct. 20, 1981 [SE] Sweden 81-2366

[52] U.S. Cl. D15/28

[58] Field of Search D15/28, 10, 32, 25; 172/439, 443, 248, 272; 280/456 A, 460 A, 461 A

[56] References Cited

U.S. PATENT DOCUMENTS

2,963,183	12/1900	Przybylski	414/723
3,874,533	4/1975	Montgomery	172/272
3,935,353	2/1976	Stedman	172/272
4,204,794	5/1980	Aoshiba	172/272

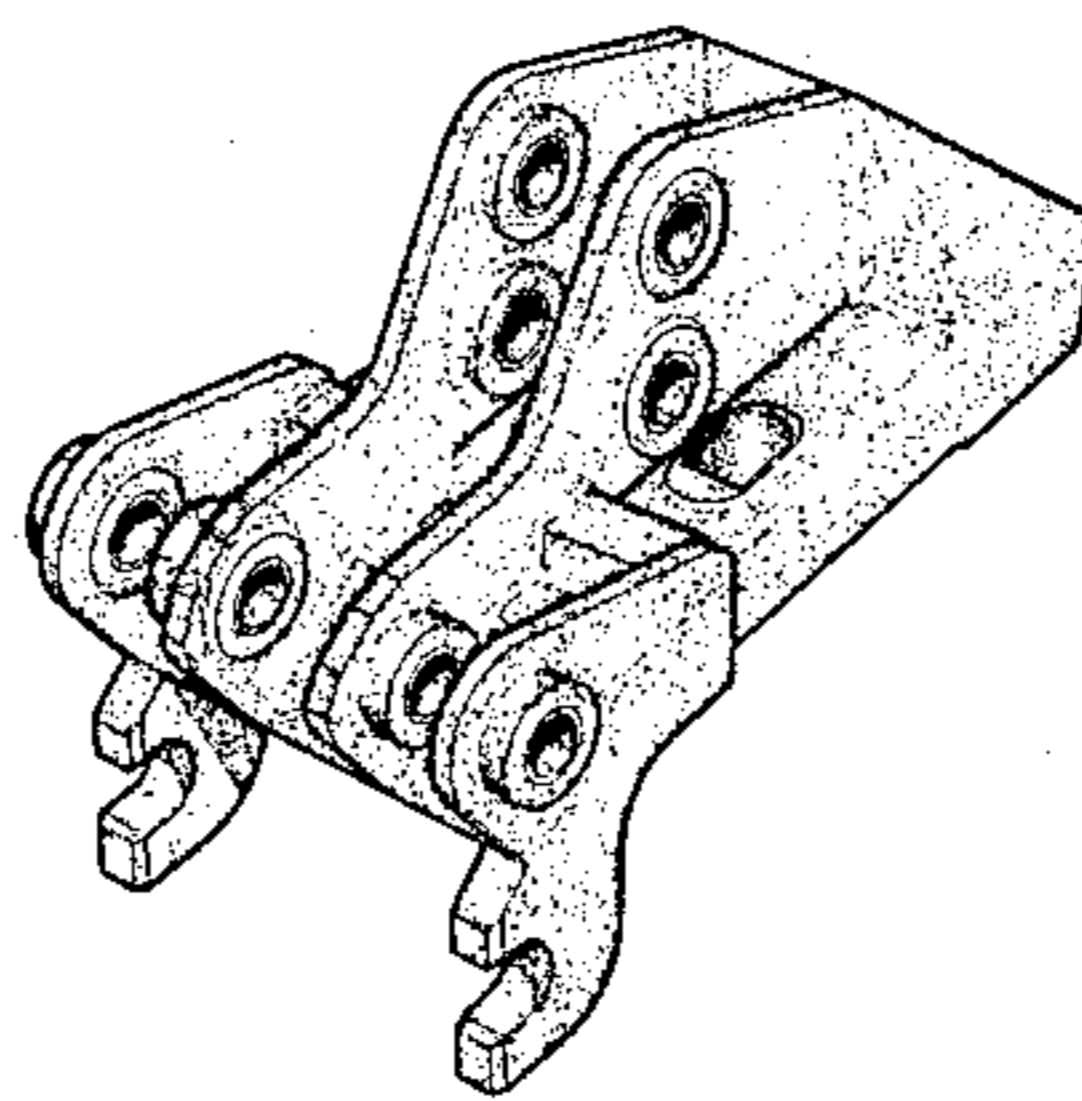
Primary Examiner—Wallace R. Burke
Assistant Examiner—Suzanne N. Gitlin
Attorney, Agent, or Firm—Pollock, Vande Sande & Priddy

[57] CLAIM

The ornamental design for a tool carrier for excavators, as shown.

DESCRIPTION

FIG. 1 is an oblique top right hand view of a tool carrier for excavators embodying our new design; FIG. 2 is an oblique top left hand view thereof; and FIG. 3 is an oblique bottom right hand view thereof.



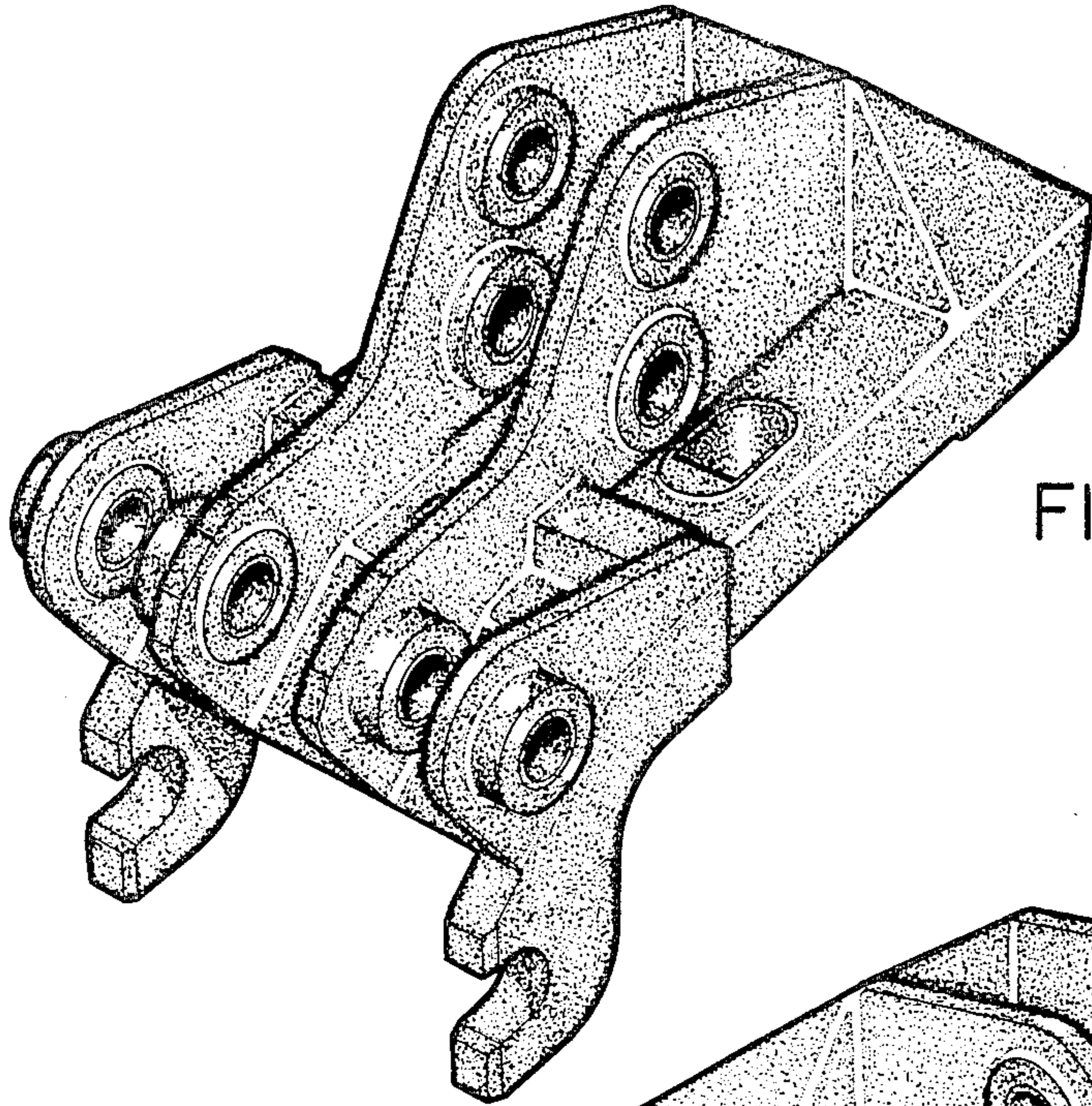


FIG. 1

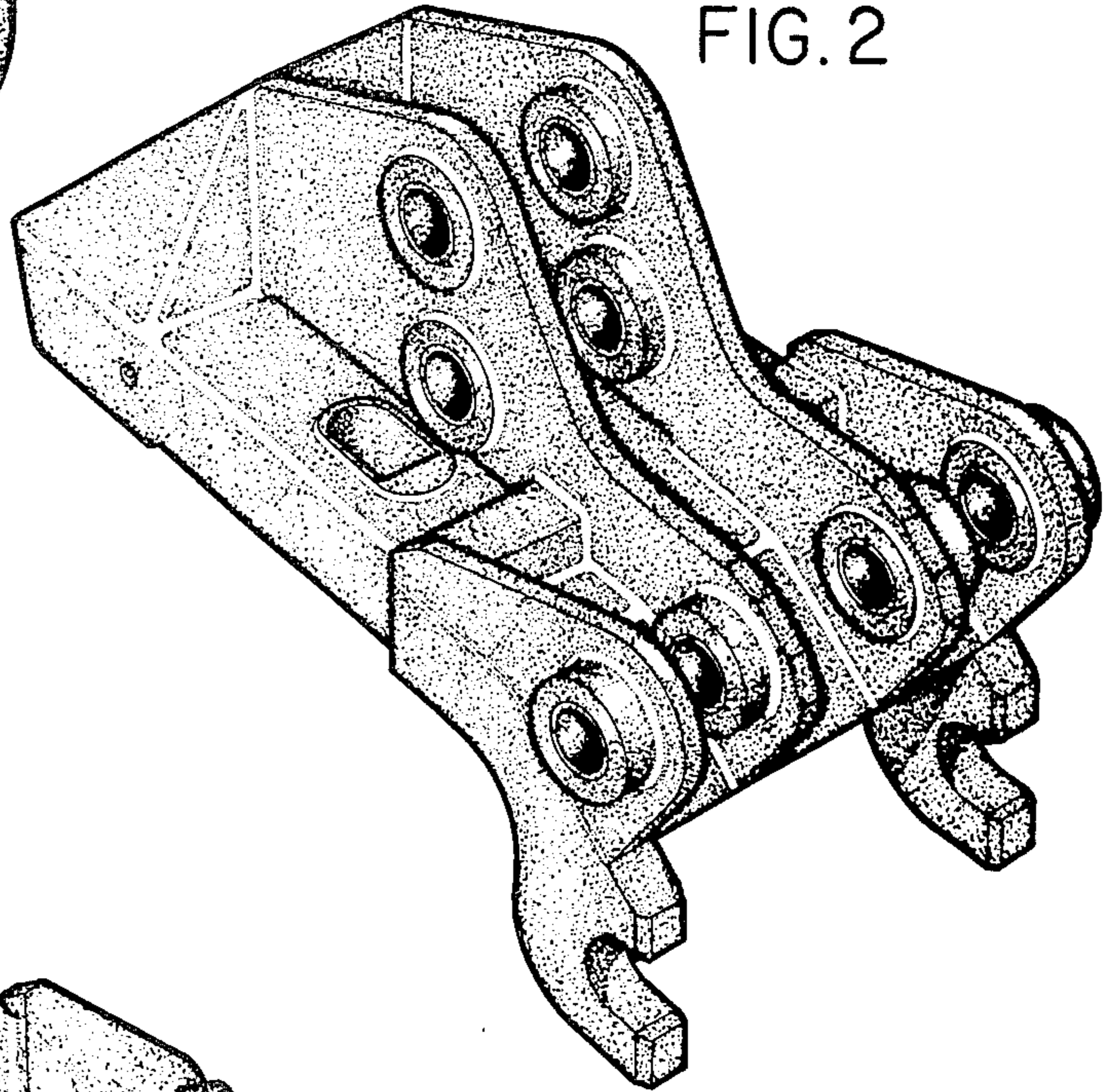


FIG. 2

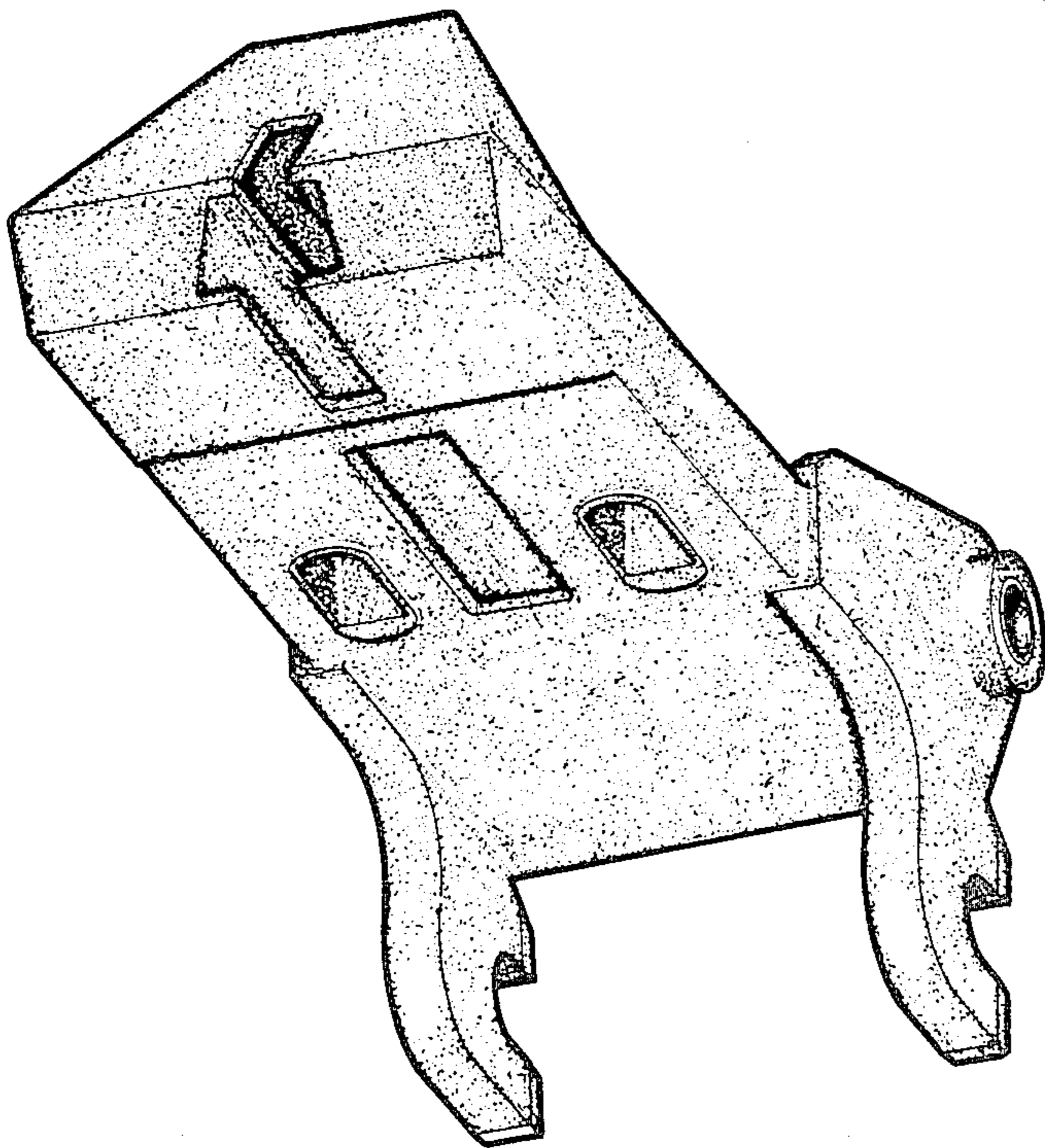


FIG. 3