

[54] TELEPHONE HANDSET

[75] Inventors: Donald M. Genaro, Haworth, N.J.;
John N. McGarvey, Drexel Hill, Pa.;
Alvin R. Tilley, Red Bank, N.J.

[73] Assignee: AT&T Bell Laboratories, Murray Hill, N.J.

[**] Term: 14 Years

[21] Appl. No.: 455,911

[22] Filed: Jan. 5, 1983

[52] U.S. Cl. D14/63; D14/53;
D14/64

[58] Field of Search D14/63, 64, 53, 58;
179/100, 100 R, 100 D, 103, 178, 179, 156, 146

[56] References Cited

U.S. PATENT DOCUMENTS

D. 175,073 7/1955 Heller D14/63

D. 209,910 1/1968 Tyson et al. D14/63
D. 210,378 3/1968 Perkins D14/63
D. 229,837 1/1974 Genaro et al. D14/63
D. 256,465 8/1980 Tyler D14/63
D. 263,048 2/1982 Genaro et al. D14/63

Primary Examiner—Bernard Ansher
Attorney, Agent, or Firm—H. L. Newman

[57] CLAIM

The ornamental design for a telephone handset, substantially as shown and described.

DESCRIPTION

FIG. 1 is a perspective view showing our new design for a telephone handset;
FIG. 2 is a top plan view thereof;
FIG. 3 is a bottom plan view thereof;
FIG. 4 is a side elevation view thereof, the opposite side being essentially a mirror image of the view shown;
FIG. 5 is an end elevation view thereof, the opposite end being similar in appearance.

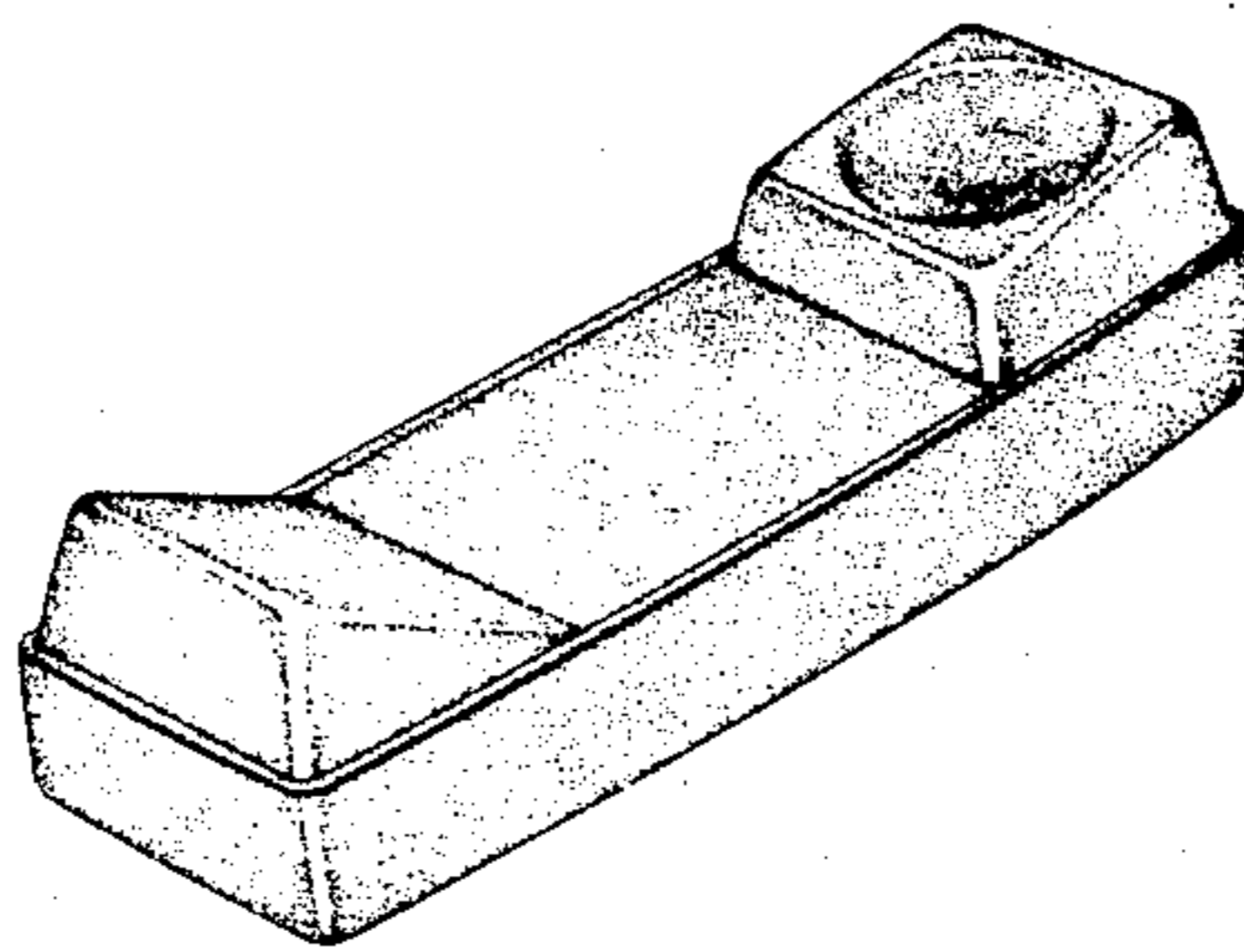


FIG. 1

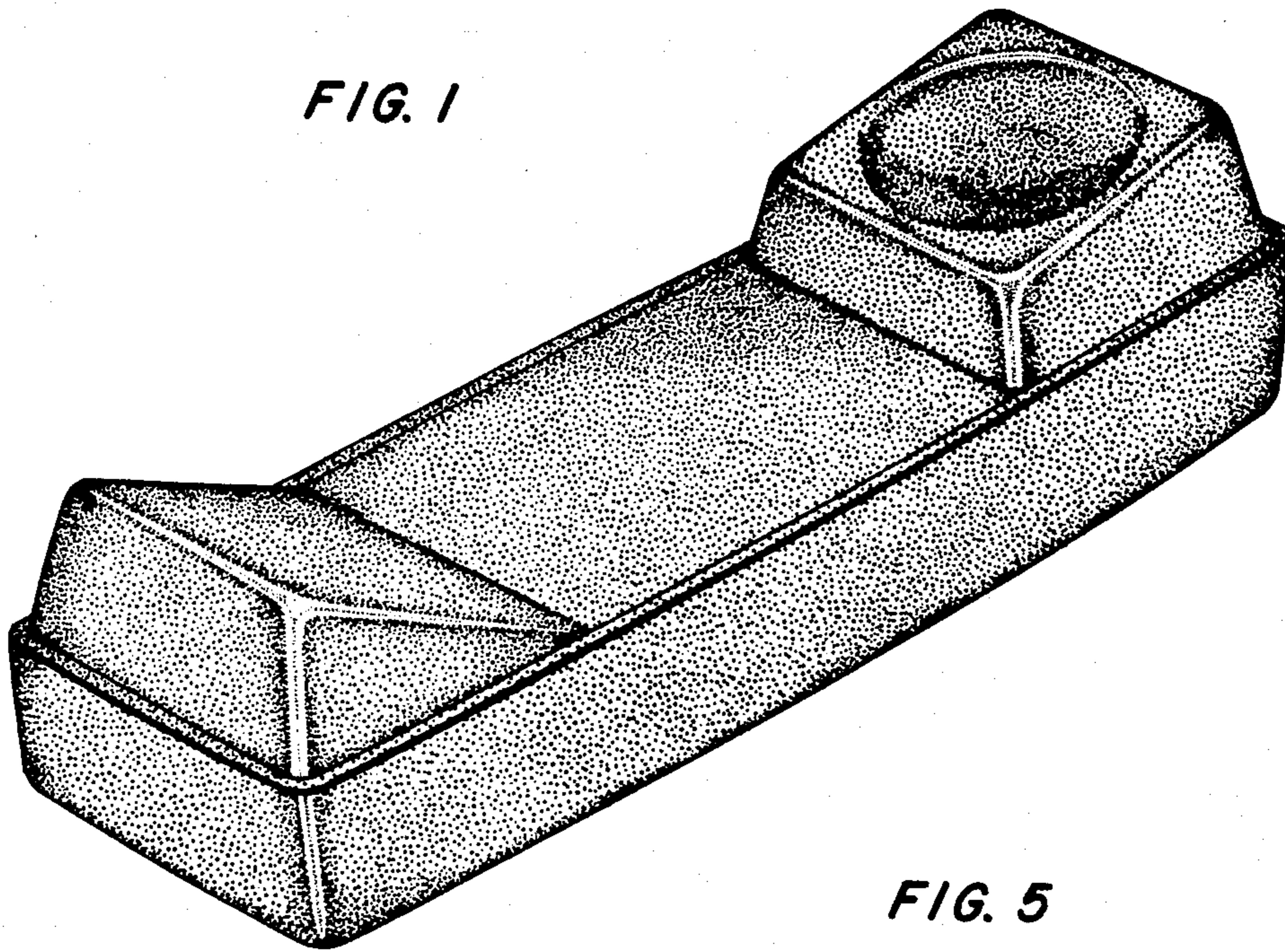


FIG. 5

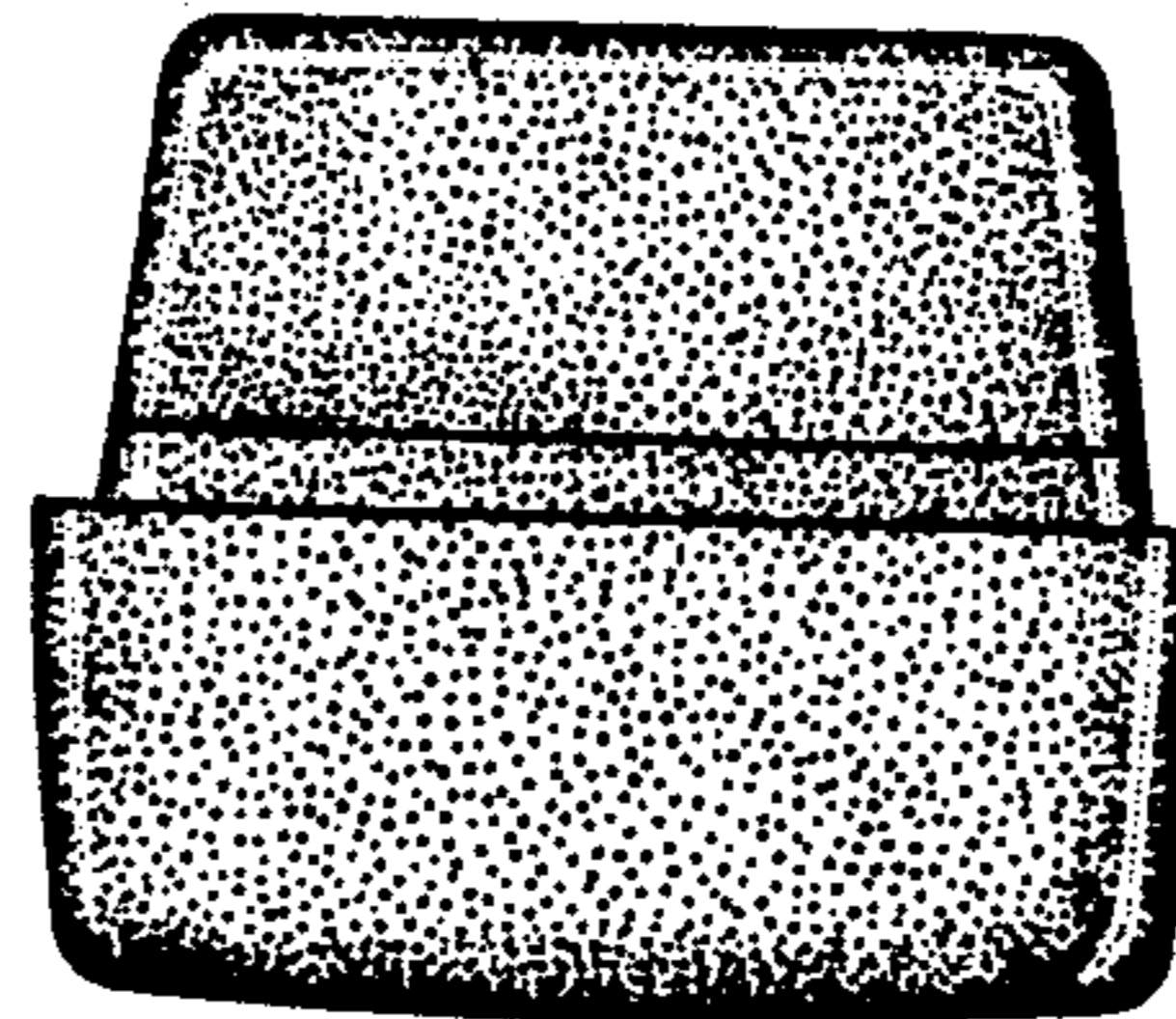


FIG. 3

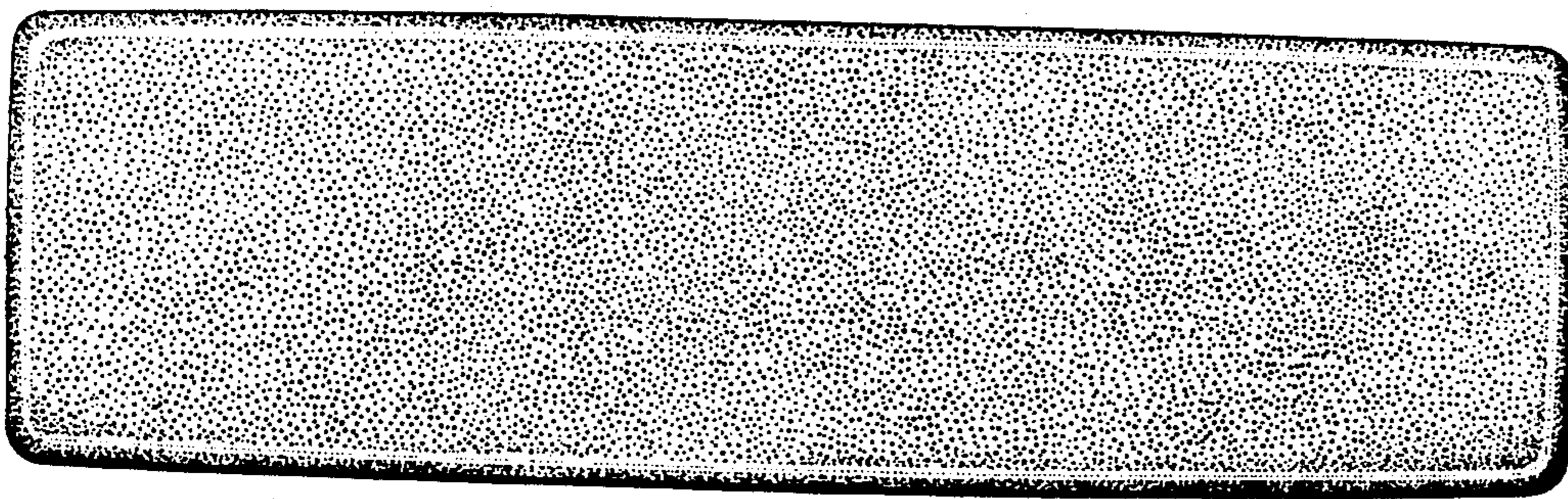


FIG. 2

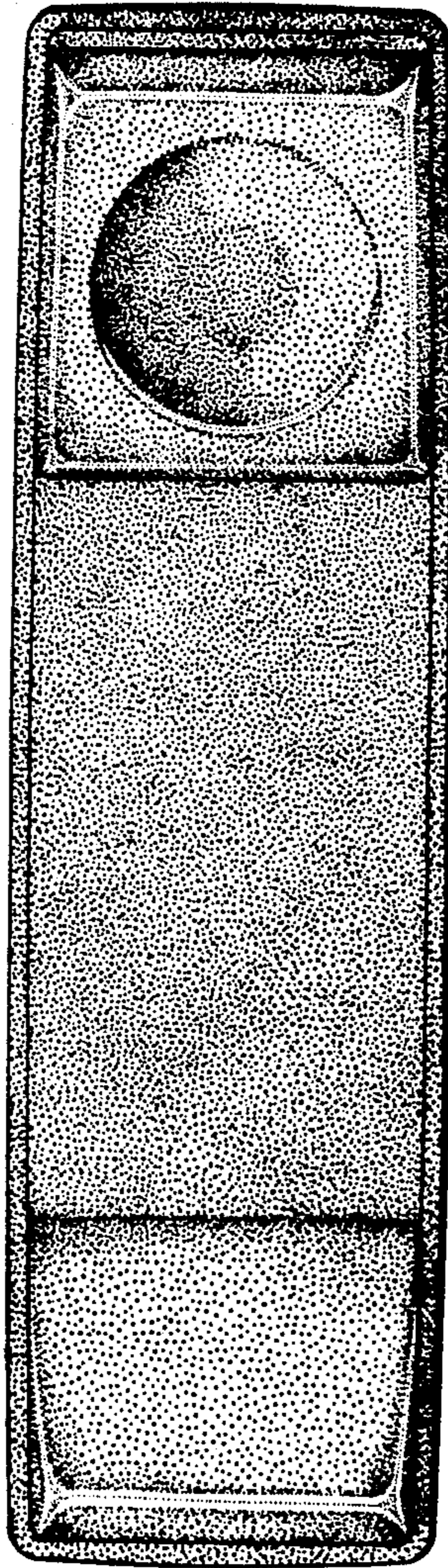


FIG. 3

