

[54] PORTABLE RETRACTABLE CORD STORAGE SYSTEM

4,061,290 12/1977 Harrill D8/358 X

[75] Inventor: Frederic W. Schwartz, Providence, R.I.

[73] Assignee: Cable Electric Products, Inc., Providence, R.I.

[**] Term: 14 Years

[21] Appl. No.: 431,964

[22] Filed: Sep. 30, 1982

[52] U.S. Cl. D13/30; D8/359

[58] Field of Search D13/30; D8/358, 359; 191/12.2 R, 12.4; 242/96; 339/5 RL, 119 C

[56] References Cited

U.S. PATENT DOCUMENTS

D. 260,985 9/1981 Moylan D13/30
3,983,977 10/1976 Crabb 191/12.4

OTHER PUBLICATIONS

Hardware Age, 8/80, p. 172, Black & Decker, Inc. Model #79-970 Cord Winder.

Primary Examiner—Susan J. Lucas
Attorney, Agent, or Firm—Paul J. Sutton

[57] CLAIM

The ornamental design for a portable retractable cord storage system, as shown and described.

DESCRIPTION

FIG. 1 is a front perspective view of a portable retractable cord storage system showing my new design; FIG. 2 is a front elevational view thereof; FIG. 3 is a left side elevational view thereof; FIG. 4 is a top plan view thereof; FIG. 5 is a rear elevational view thereof; FIG. 6 is a bottom plan view thereof.

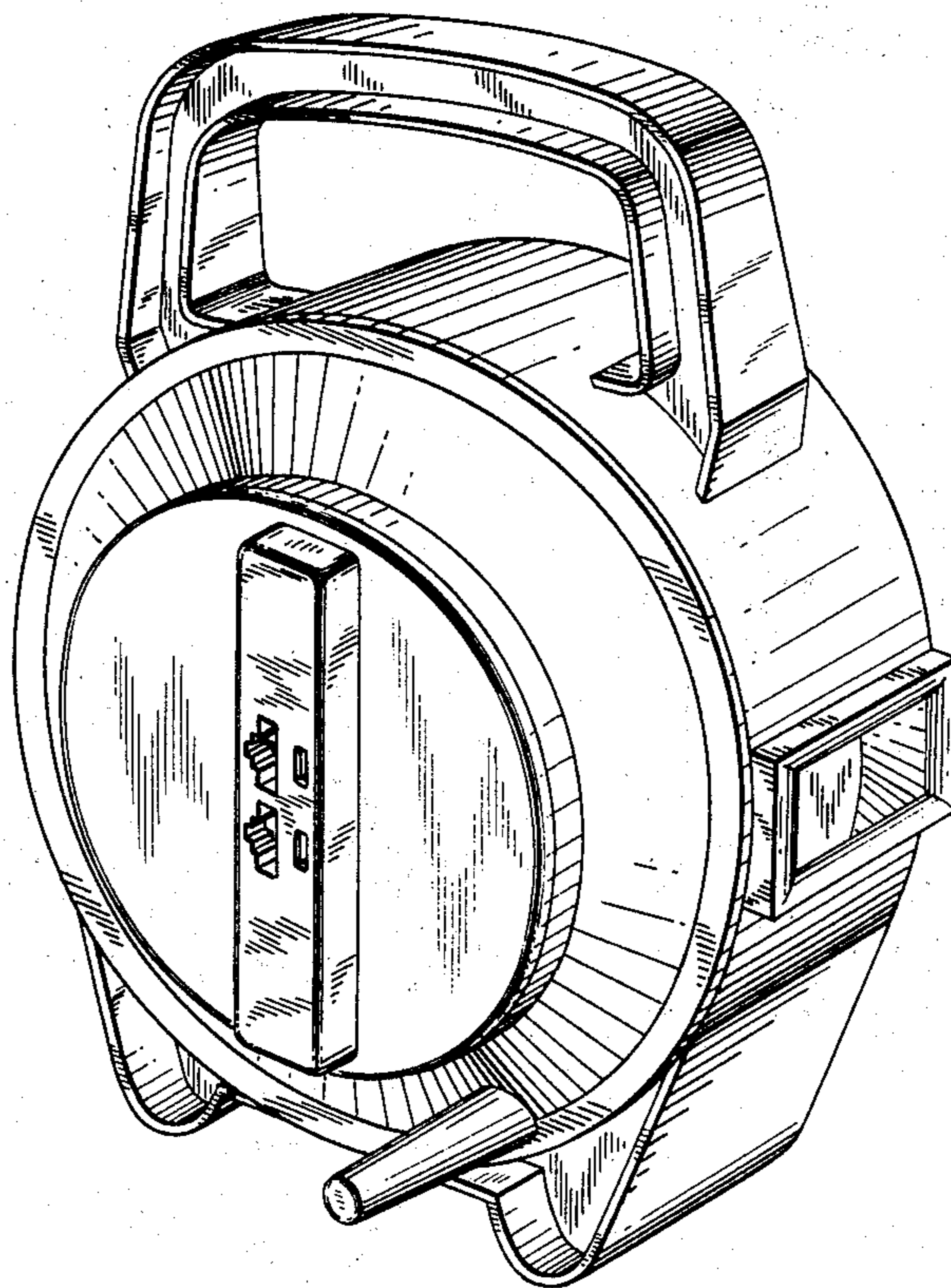


FIG. 1

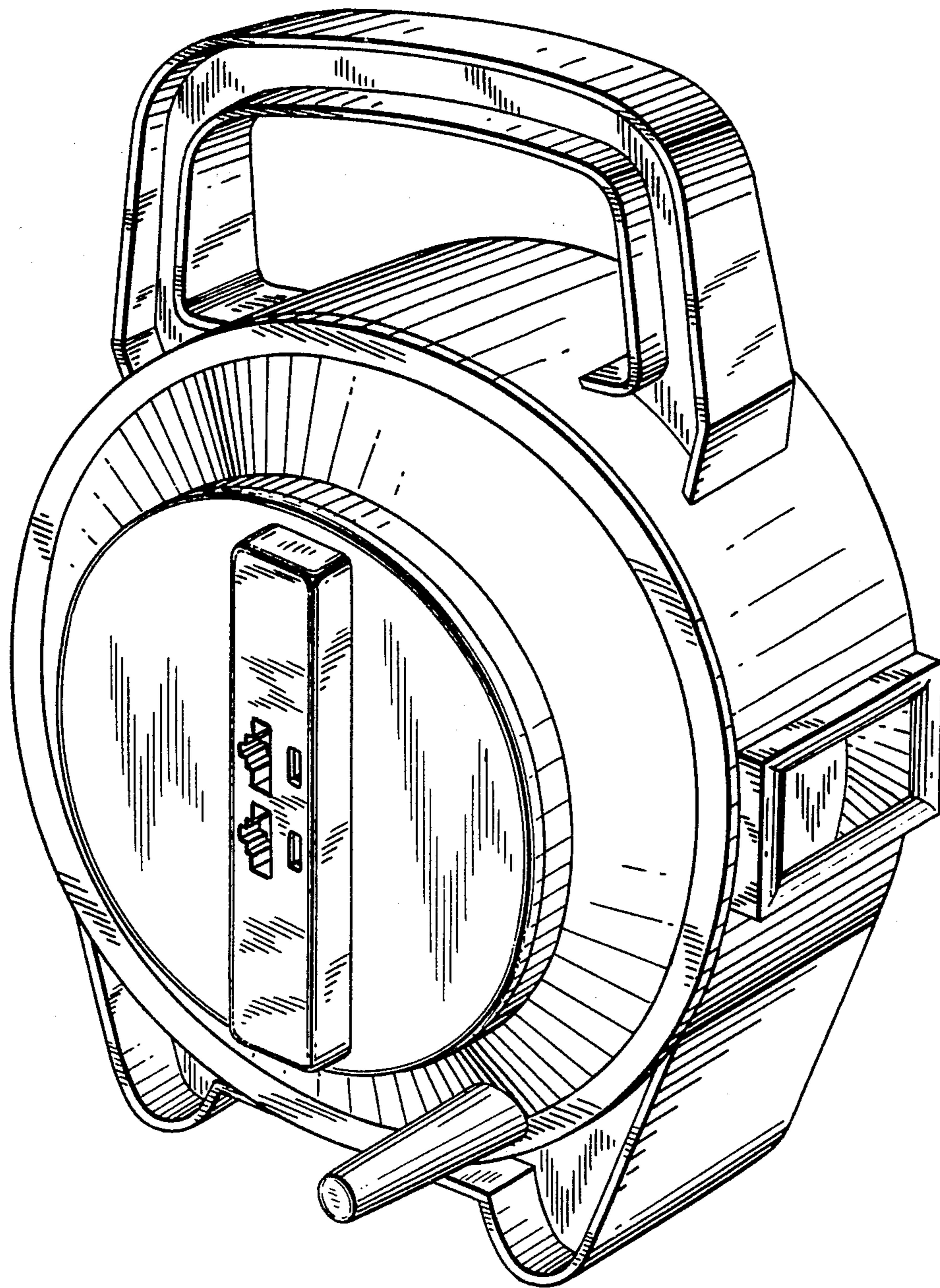


FIG. 3

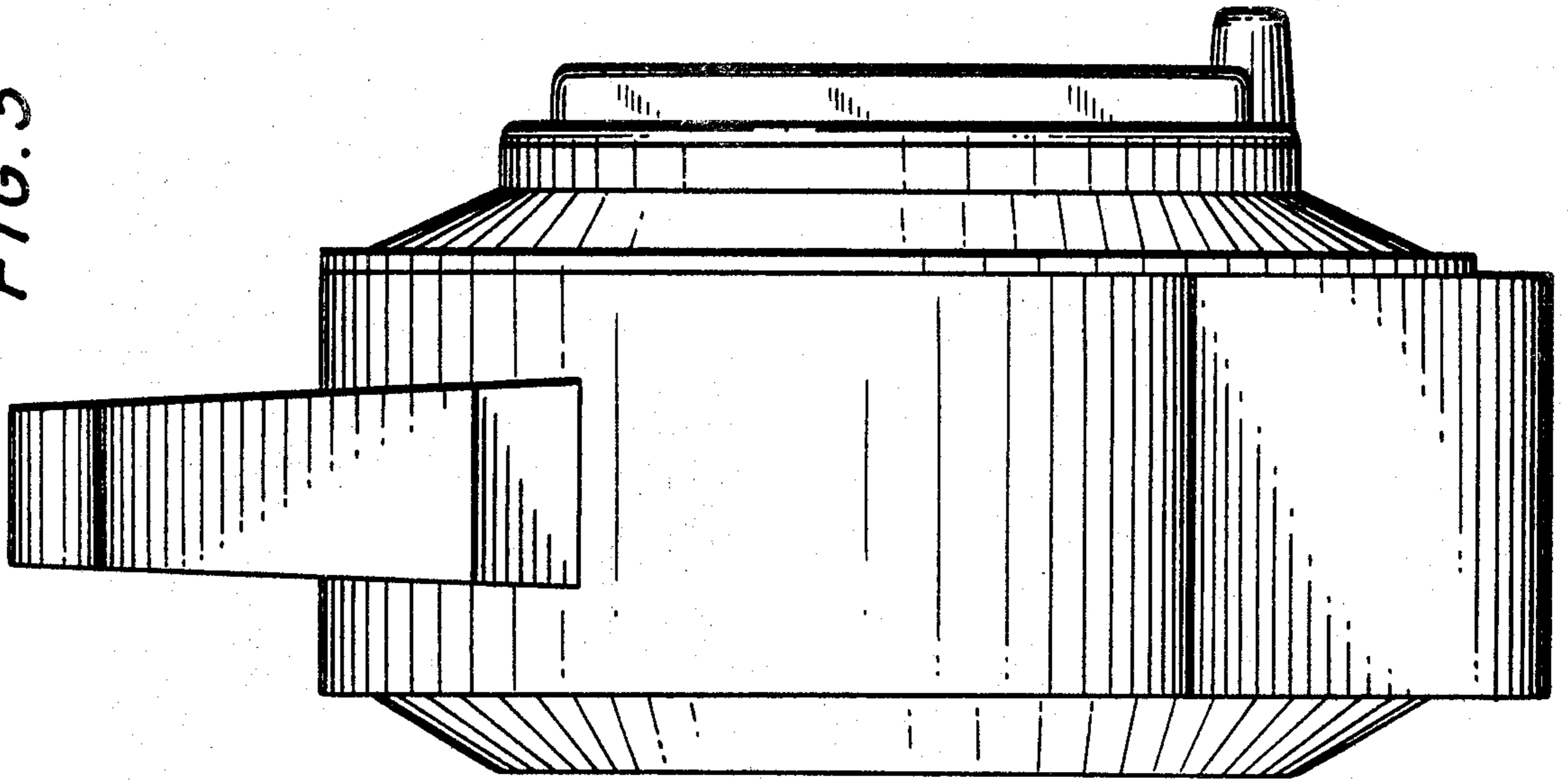


FIG. 2

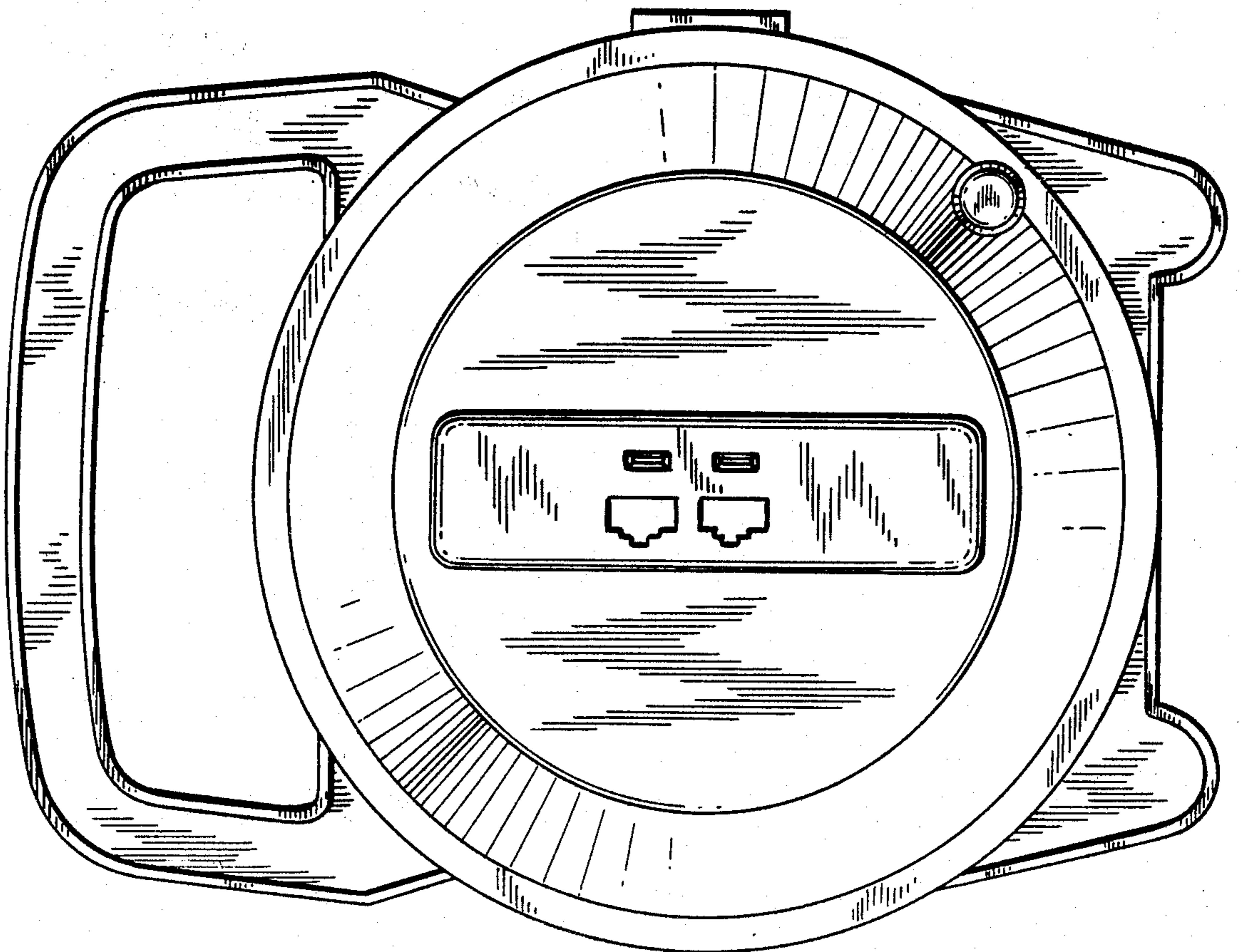


FIG. 5

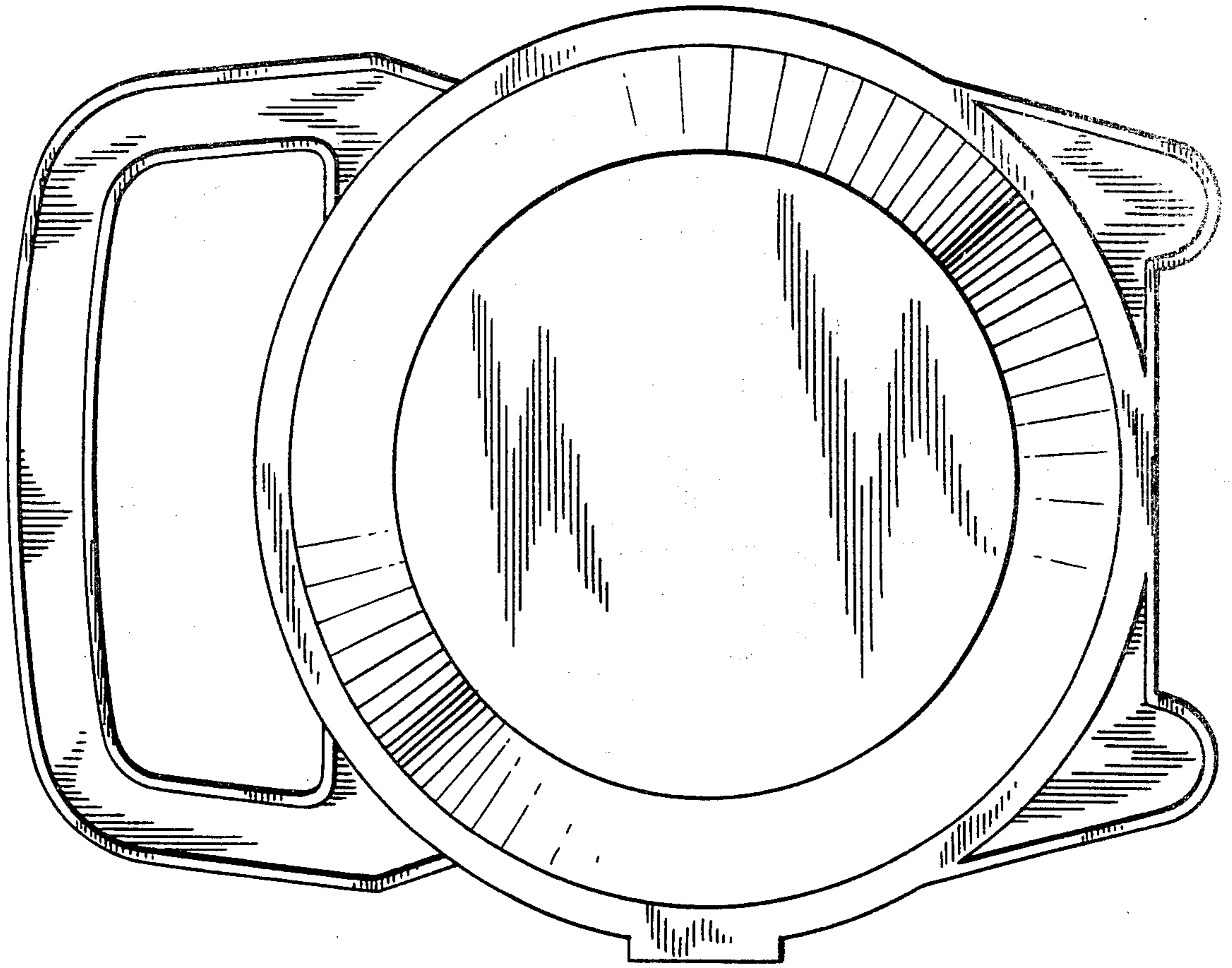


FIG. 4

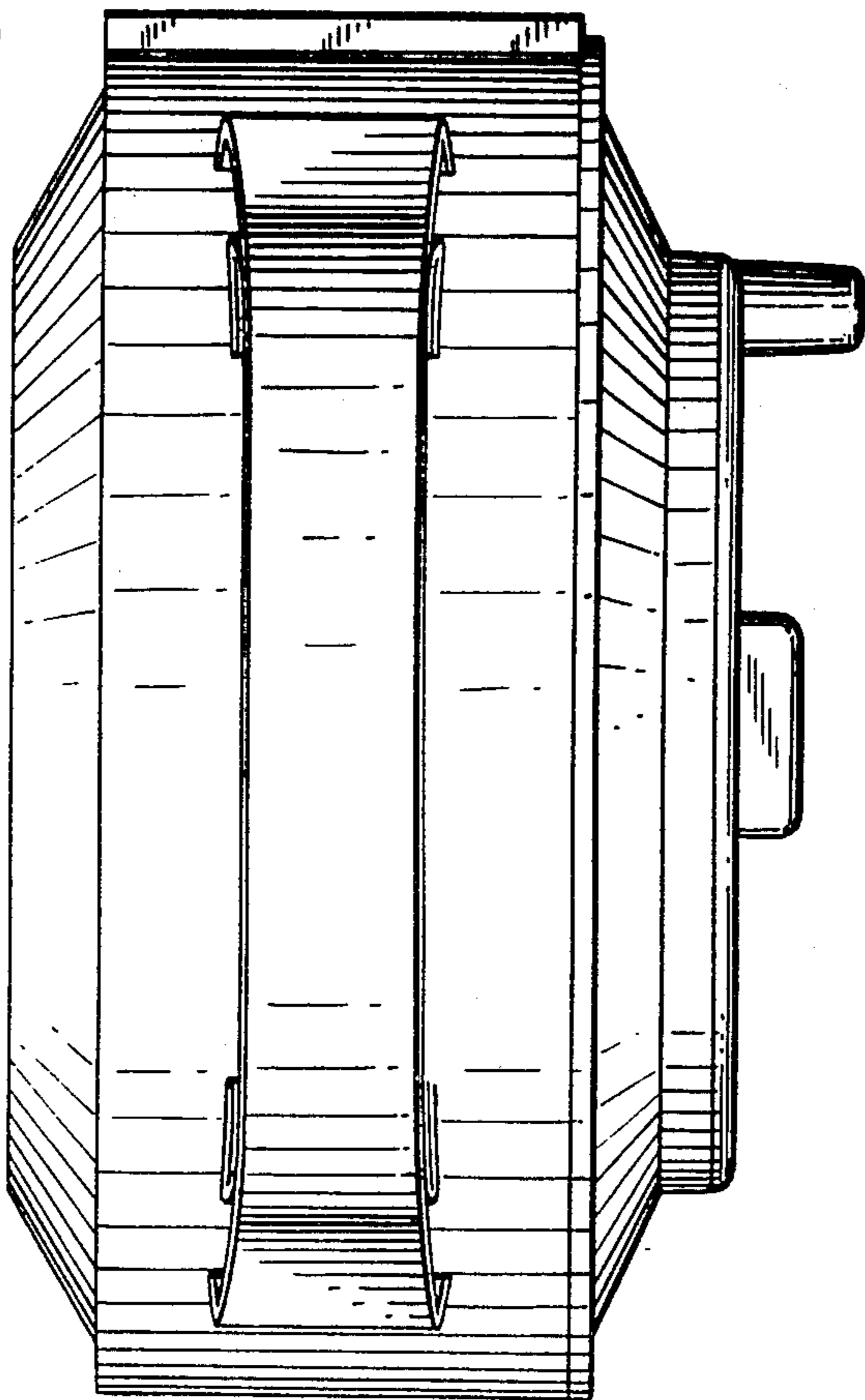


FIG. 6

