

[54] ELECTRONIC SCALE

[75] Inventor: Peter Wirtz, Vaduz, Liechtenstein

[73] Assignee: Pilux AG, Switzerland

[**] Term: 14 Years

[21] Appl. No.: 357,871

[22] Filed: Mar. 15, 1982

[30] Foreign Application Priority Data

Oct. 12, 1981 [DE] Fed. Rep. of Germany ... 8129802[U]

[52] U.S. Cl. D10/92

[58] Field of Search D10/88, 91, 92;
177/126, 127, 239, DIG. 3, 256, 177, 200, 210
R, DIG. 3

[56] References Cited

U.S. PATENT DOCUMENTS

- D. 142,064 8/1945 Chapman D10/92
- D. 173,913 1/1955 Reinecke D10/92
- D. 183,069 6/1958 Spear D10/92

OTHER PUBLICATIONS

Washington Evening Star-4/21/63-"Woodward & Lothrop Ad. Sec." p. 11, Scale C at top right.

Home Furn. Daily-2/3/60, p. 21, Scale at upper right.

Home Furn. Daily-11/17/60, p. 21, Scales by Counselor ®.

Home Furn. Daily-1/30/58, p. 18, Nu-Tone ® Scale--folding.

Primary Examiner—Nelson C. Holtje

Attorney, Agent, or Firm—Fitch, Even, Tabin & Flannery

[57] CLAIM

The ornamental design for an electronic scale, substantially as shown and described.

DESCRIPTION

FIG. 1 is a top and right front perspective view of an electronic scale showing my new design;

FIG. 2 is a front elevational view thereof;

FIG. 3 is a rear elevational view thereof;

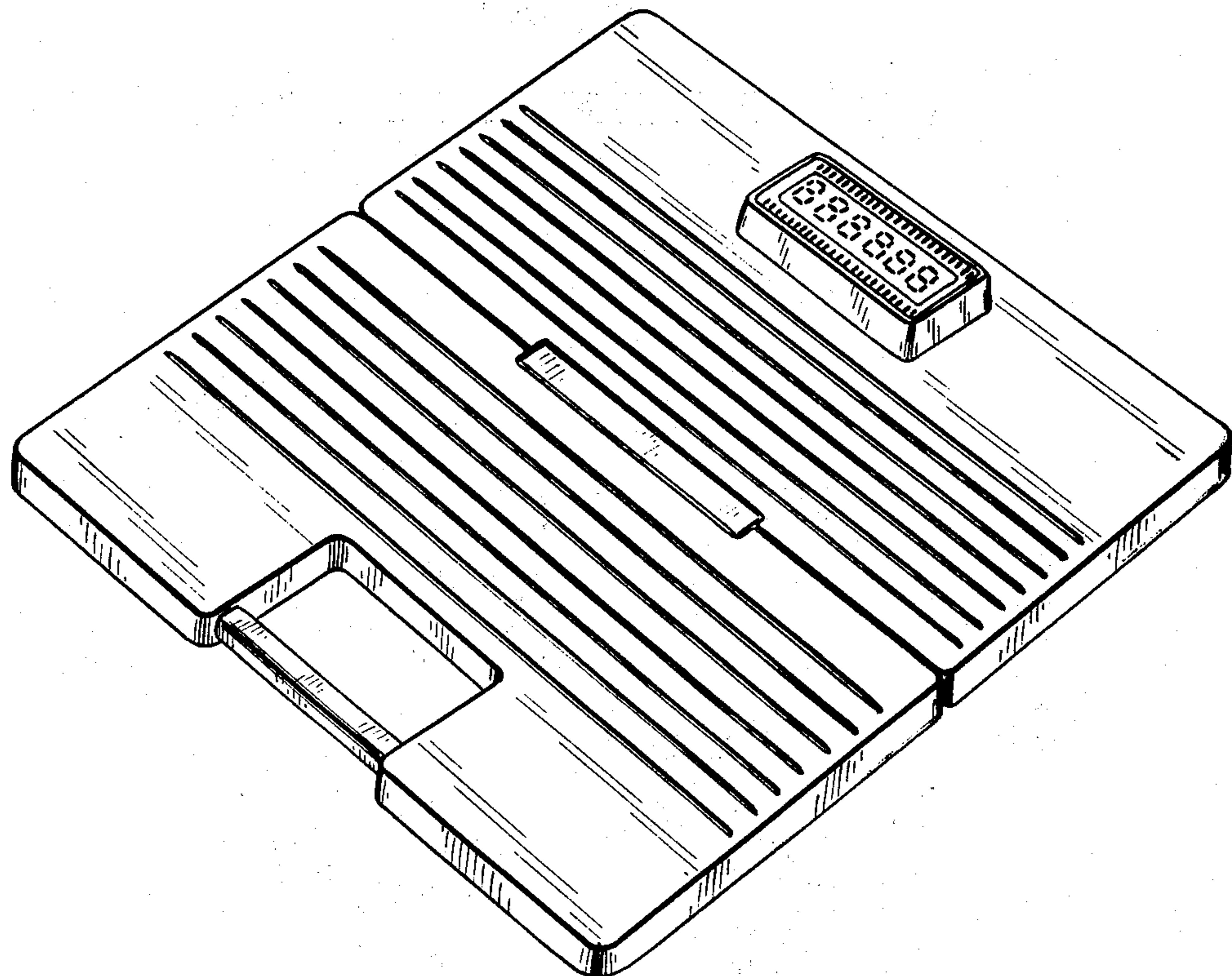
FIG. 4 is a left side elevational view thereof;

FIG. 5 is a bottom perspective view thereof;

FIG. 6 is a top and right-front perspective view thereof in partially folded position;

FIG. 7 is a top plan view thereof in a fully folded position;

FIG. 8 is a front elevational view of FIG. 7.



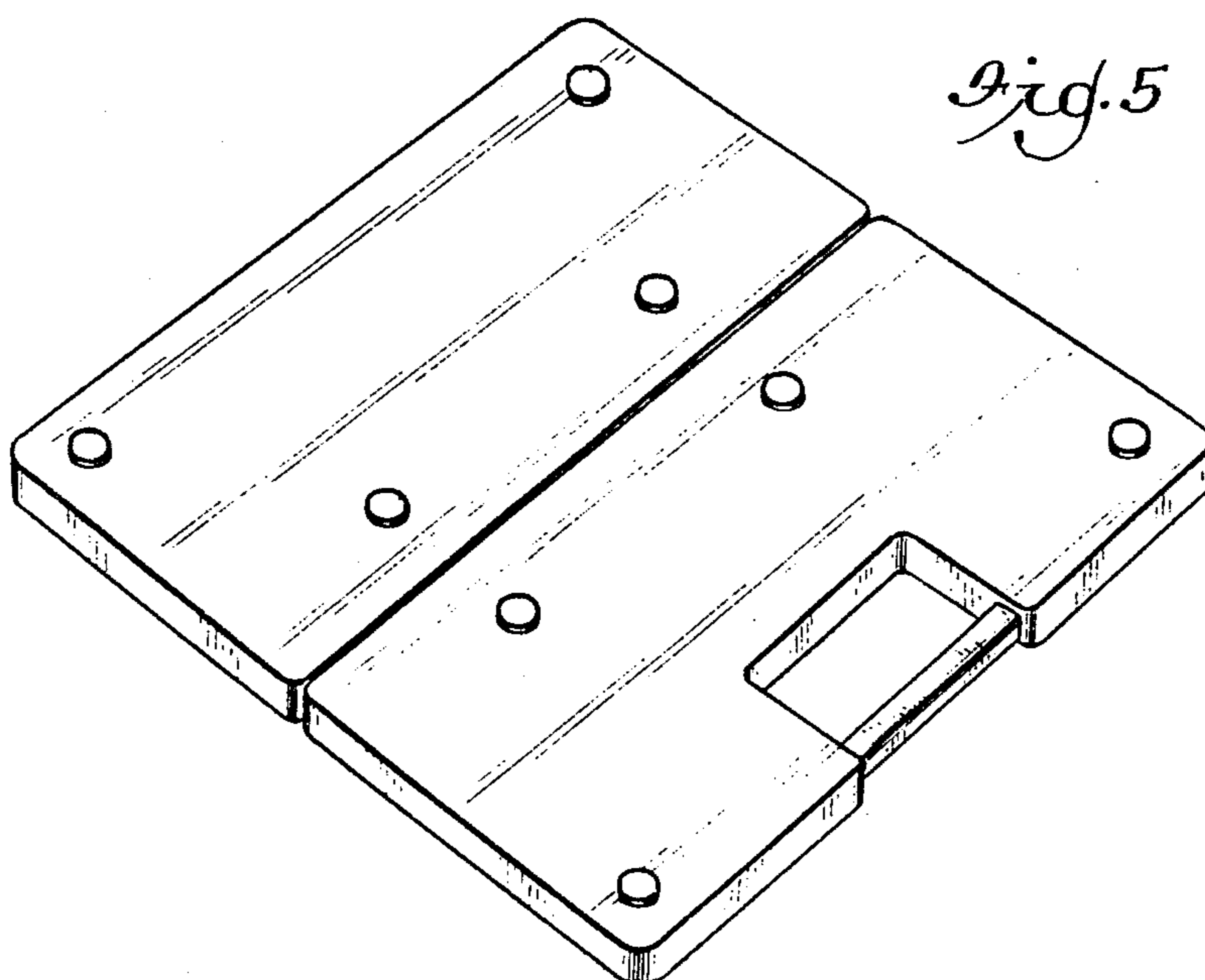
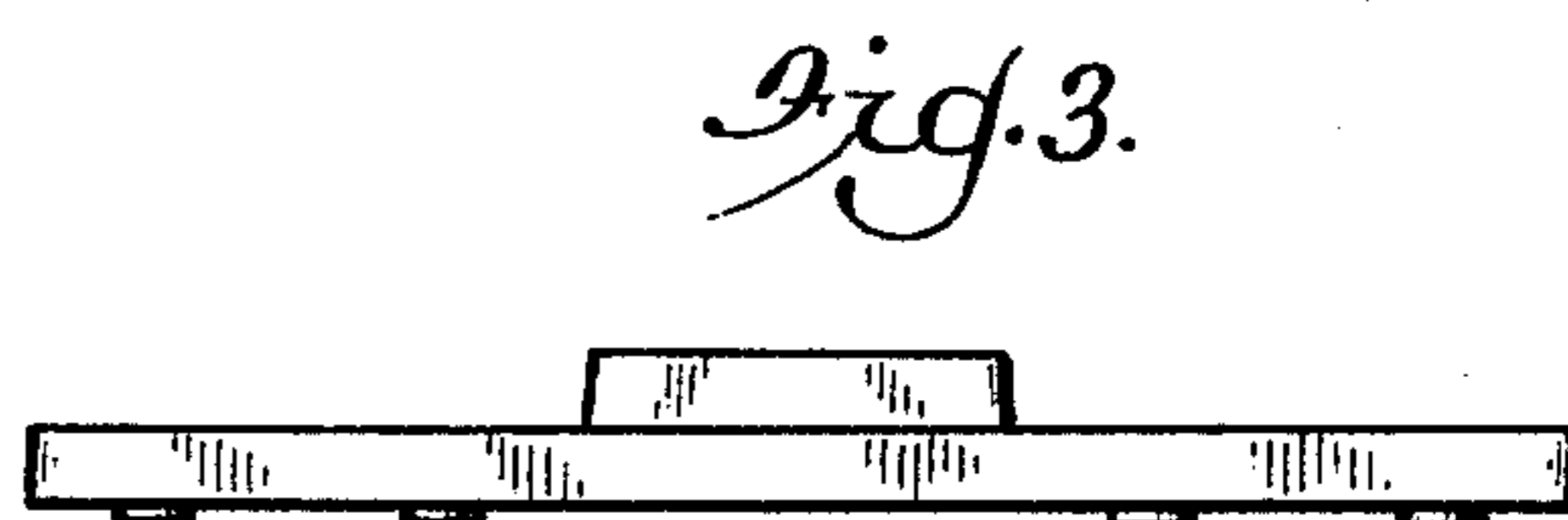
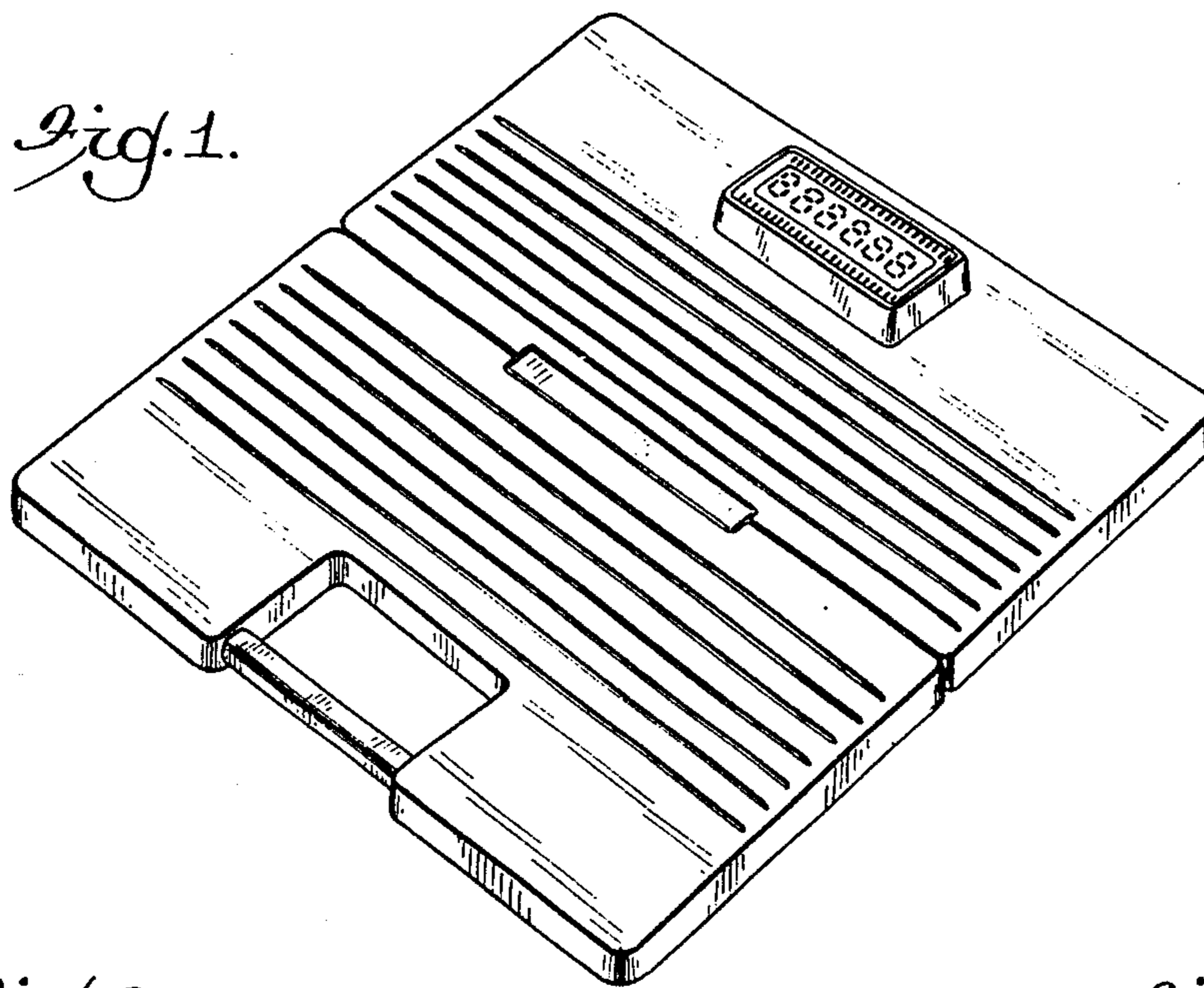


Fig. 6.

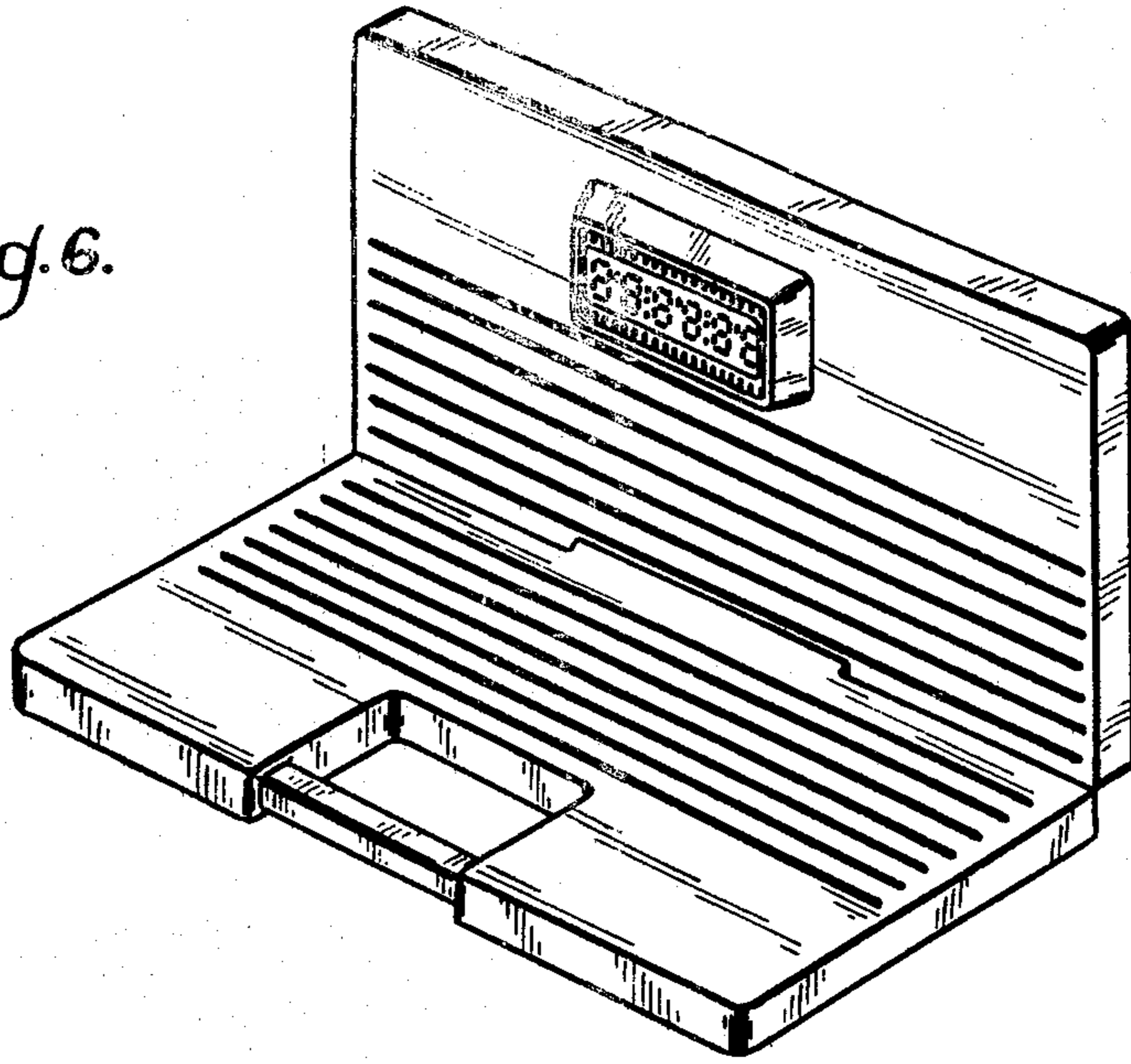


Fig. 7.

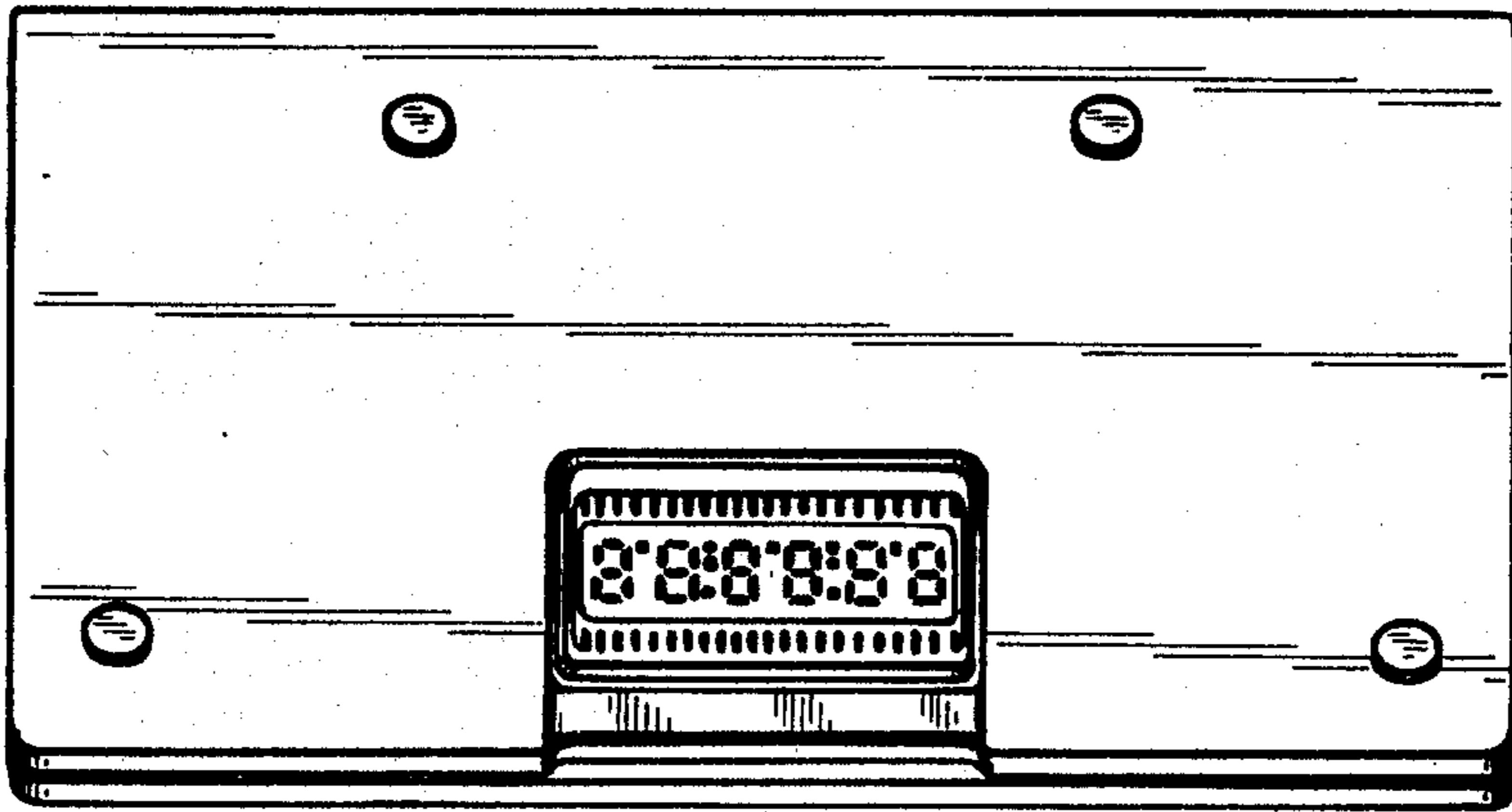


Fig. 8.

