

[54] WING NUT

[76] Inventor: Royce W. Hill, P.O. Box 355,  
Flippin, Ark. 72634

[\*\*] Term: 14 Years

[21] Appl. No.: 351,273

[22] Filed: Feb. 22, 1982

[52] U.S. Cl. .... D8/398

[58] Field of Search ..... D8/382, 398; 411/427,  
411/429, 430, 431, 435

[56] References Cited

U.S. PATENT DOCUMENTS

D. 155,997	11/1949	Gries .....	D8/398
D. 176,945	2/1956	Gilson .....	D8/398
1,330,594	2/1920	Kraft .....	411/435
3,365,093	1/1968	Malenke .....	411/435

FOREIGN PATENT DOCUMENTS

667365 6/1929 France ..... 411/435

OTHER PUBLICATIONS

Lamp Journal; 10/1961; p. 50; Wingnut bottom right of page, upper right corner of picture.

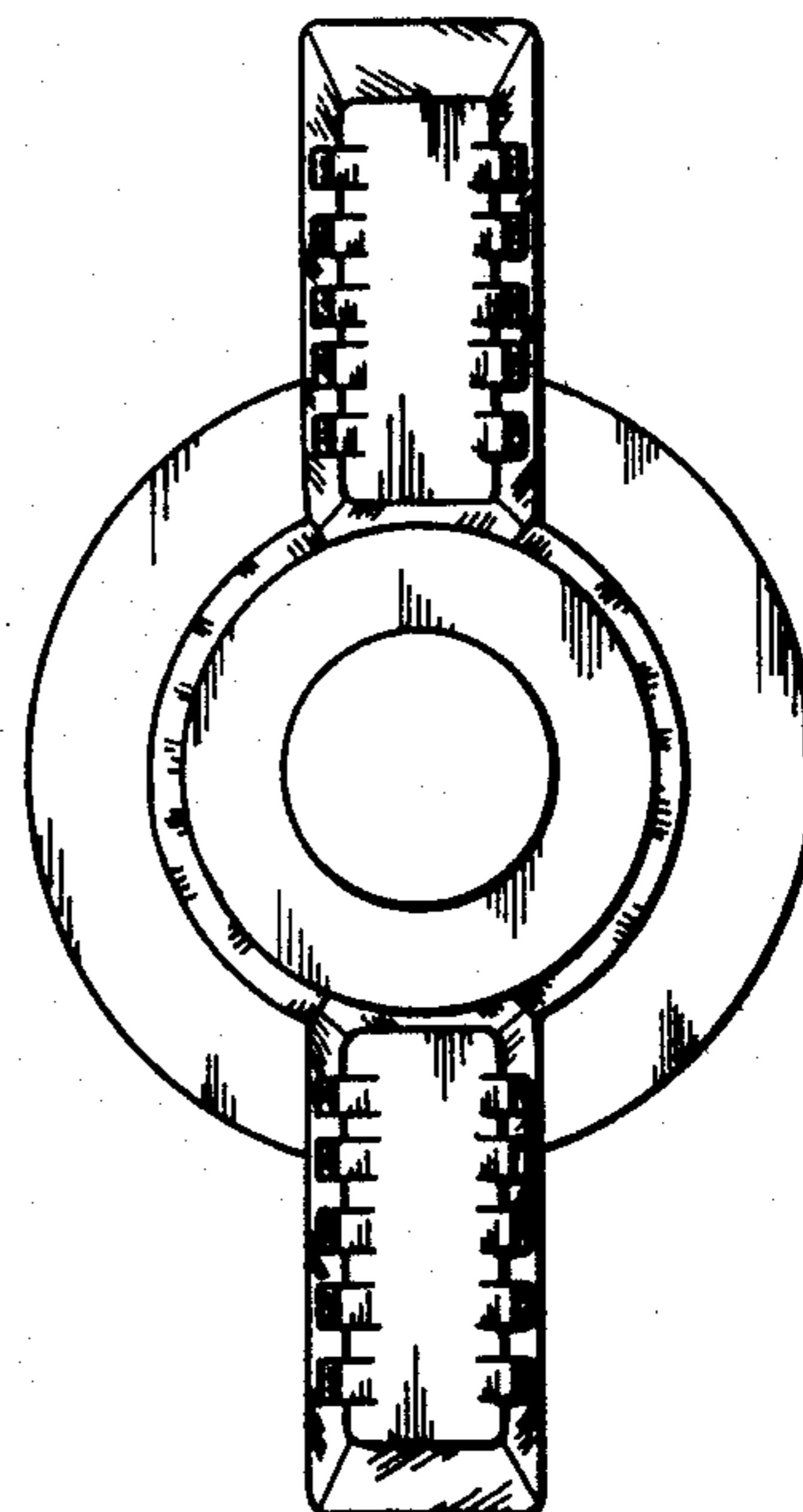
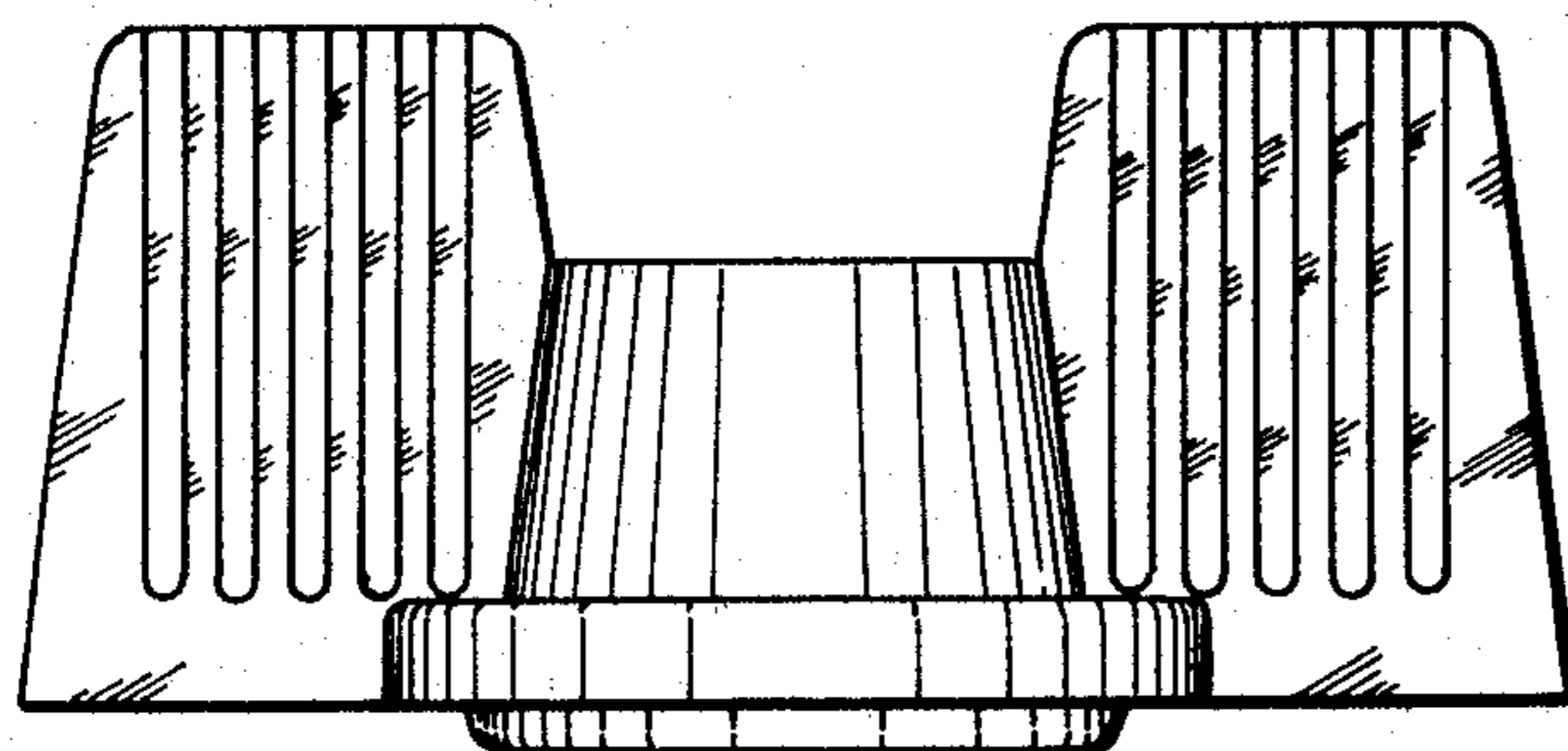
Primary Examiner—B. J. Bullock  
Attorney, Agent, or Firm—Stephen D. Carver

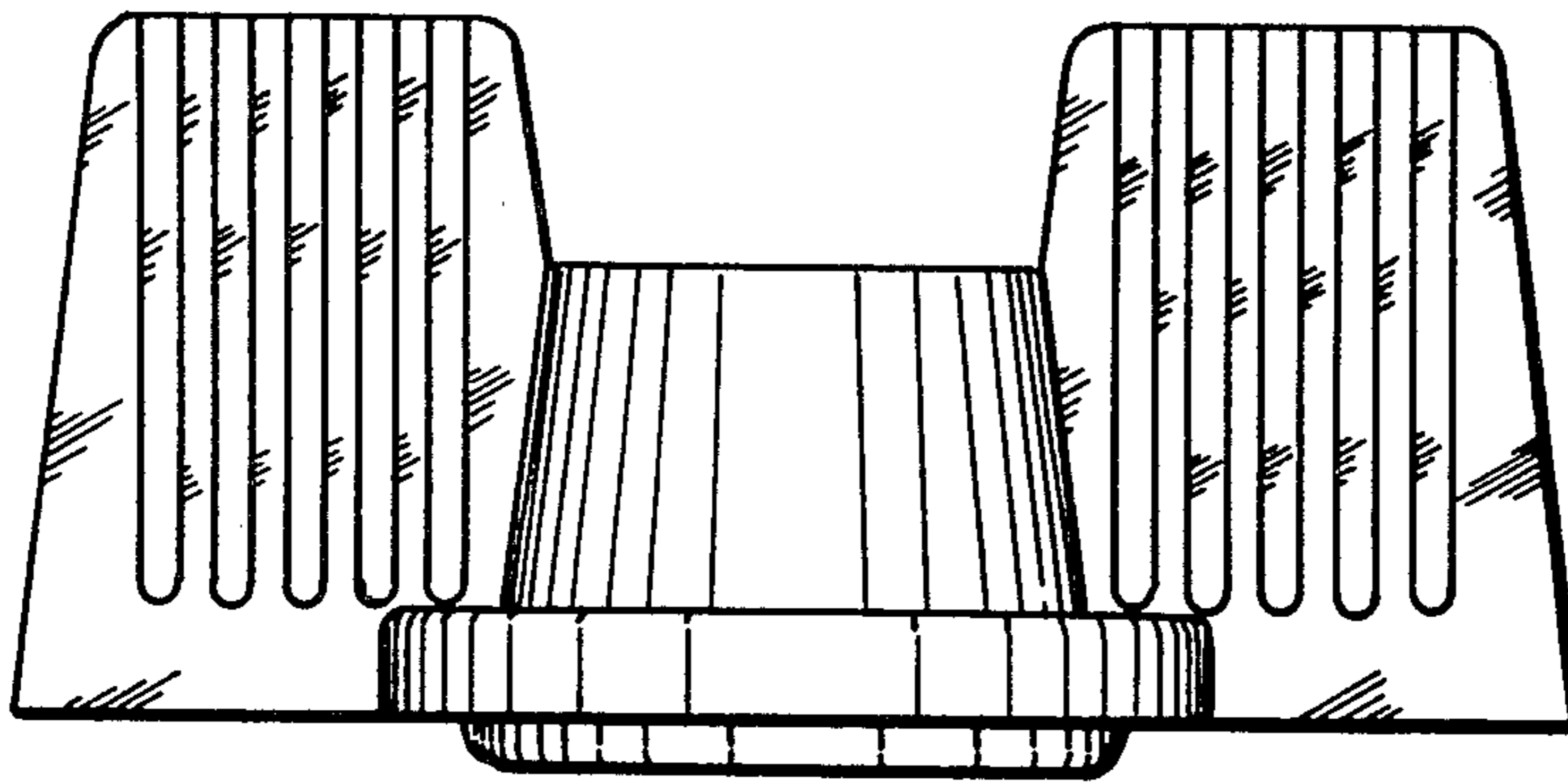
[57] CLAIM

The ornamental design for a wing nut, as shown and described.

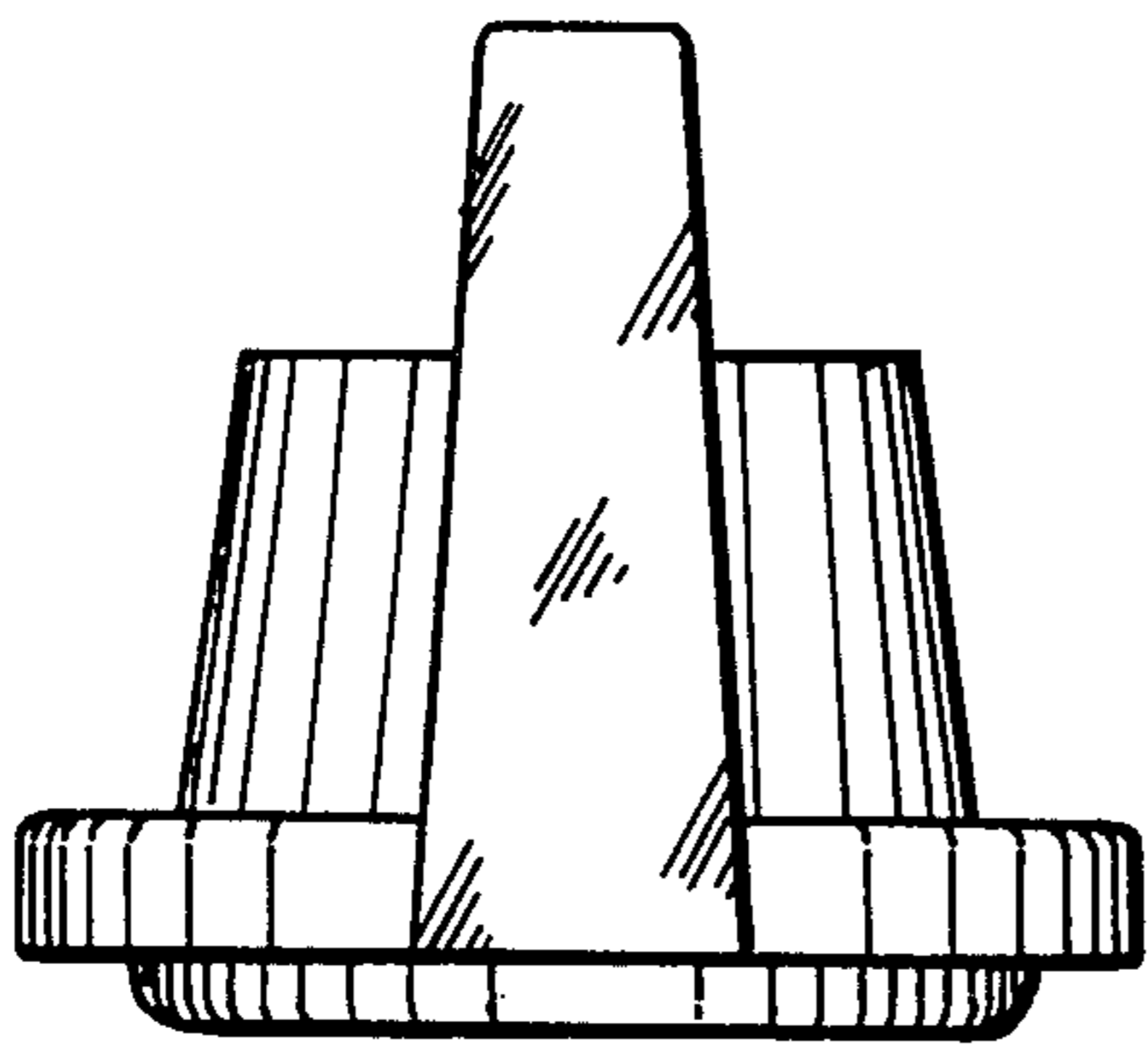
DESCRIPTION

FIG. 1 is a front elevational view of a wing nut showing my new design, the rear being identical;  
FIG. 2 is an end elevational view thereof, both ends being identical;  
FIG. 3 is a top plan view thereof;  
FIG. 4 is a bottom plan view thereof.

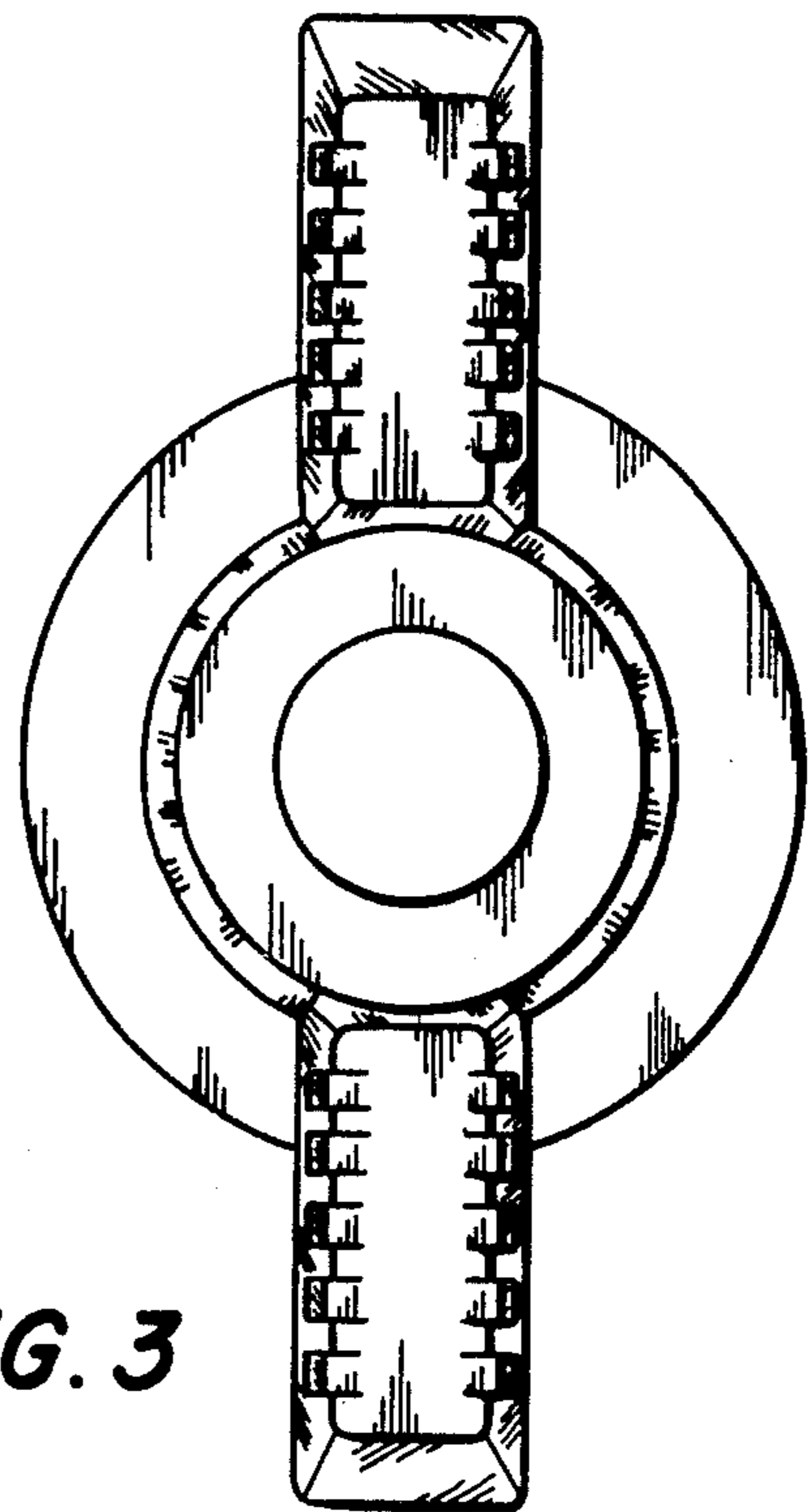




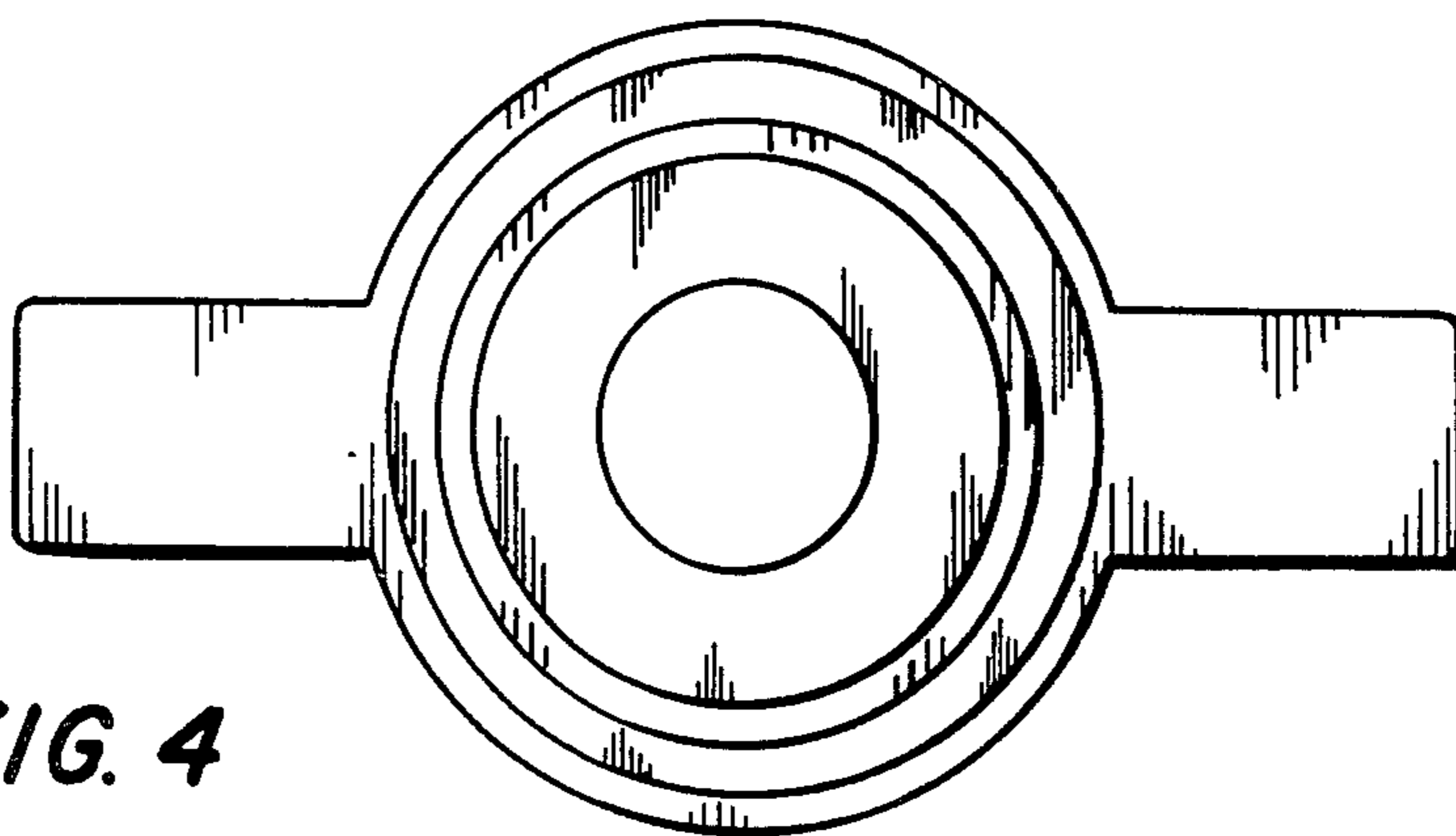
**FIG. 1**



**FIG. 2**



**FIG. 3**



**FIG. 4**