

[54] BICYCLE LOCK

[76] Inventor: J. Douglass Devine, 31129 Via Colinas, Ste. 704, Westlake Village, Calif. 91362

[**] Term: 14 Years

[21] Appl. No.: 346,575

[22] Filed: Feb. 8, 1982

[52] U.S. Cl. D8/331

[58] Field of Search D8/331; D12/115; 211/5; 70/227

FOREIGN PATENT DOCUMENTS

258495 5/1949 Switzerland 211/5

Primary Examiner—James M. Gandy

Assistant Examiner—Horace B. Fay

Attorney, Agent, or Firm—Blakely, Sokoloff, Taylor & Zafman

CLAIM

[57] The ornamental design for a bicycle lock, substantially as shown.

DESCRIPTION

FIG. 1 is a perspective view taken from above and to the left of a bicycle lock showing my new design;

FIG. 2 is a top view;

FIG. 3 is a left side view;

FIG. 4 is a front view;

FIG. 5 is a right side view;

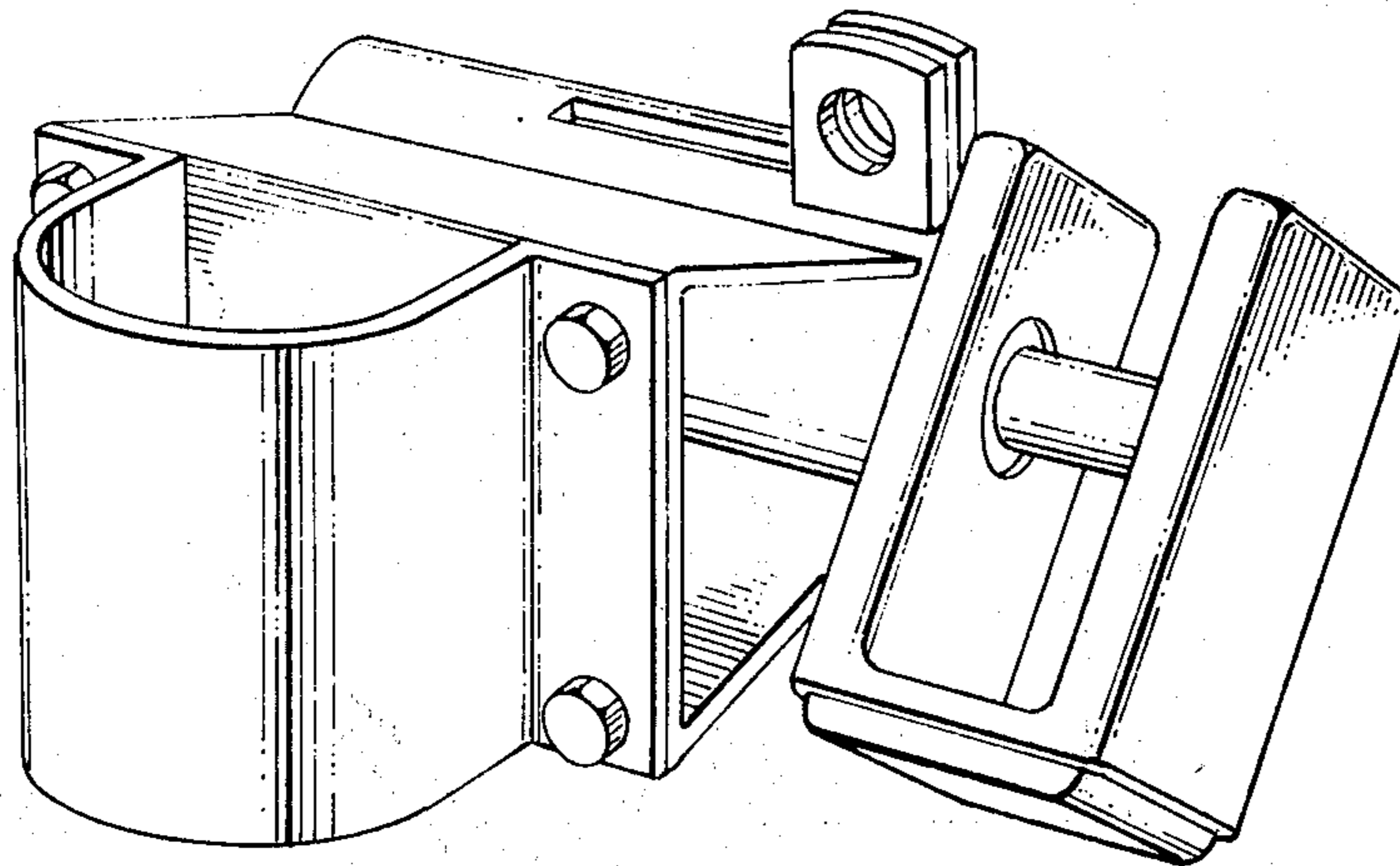
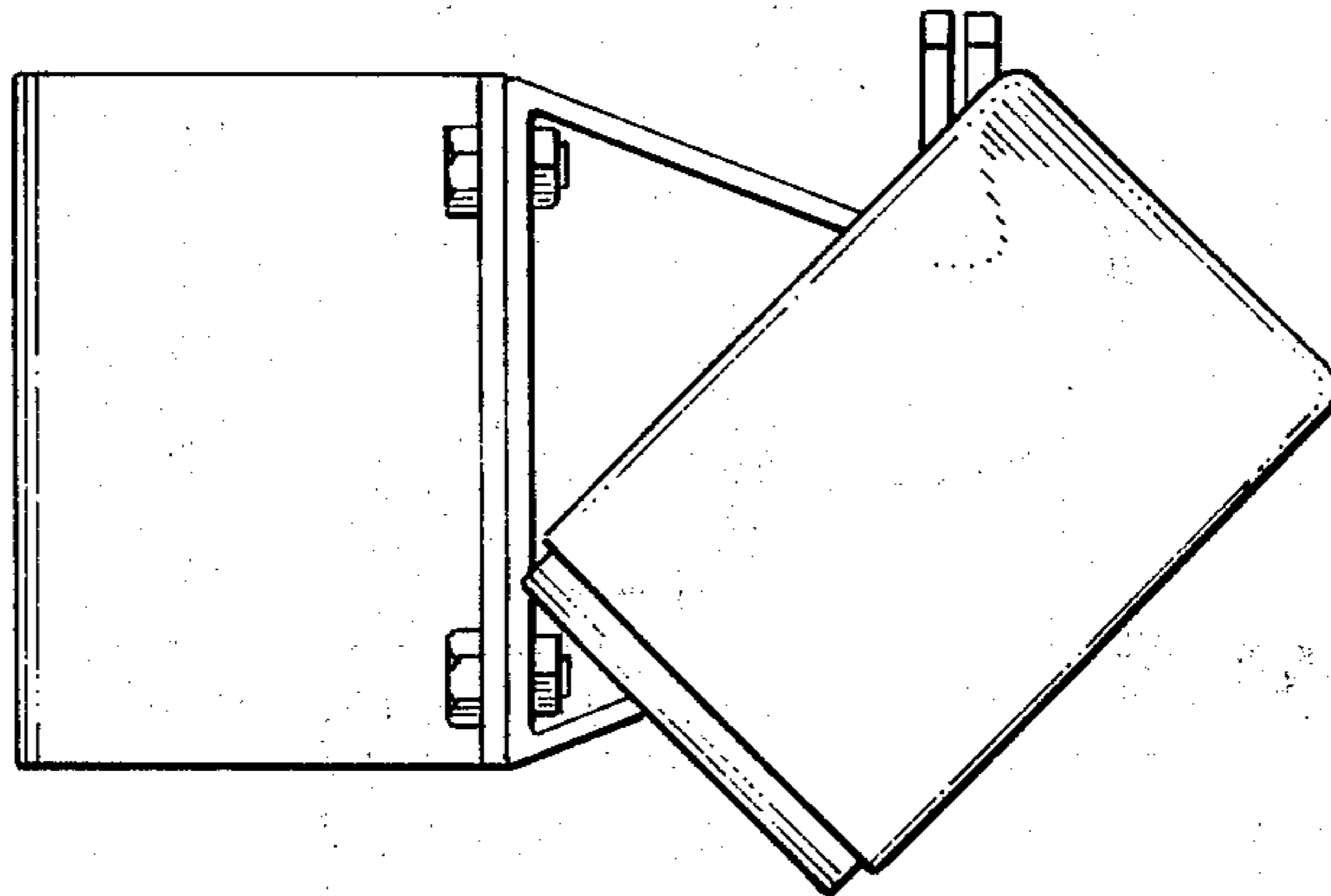
FIG. 6 is a back view;

FIG. 7 is a bottom view.

[56] References Cited

U.S. PATENT DOCUMENTS

D. 263,039	2/1982	Richard, Jr.	D12/115
3,881,680	5/1975	Lietaert	211/5
3,941,406	3/1976	Eggleston	211/5
3,970,197	7/1976	Bale	211/5
4,306,660	12/1981	Livingston	211/5
4,352,432	10/1982	Smith	211/5



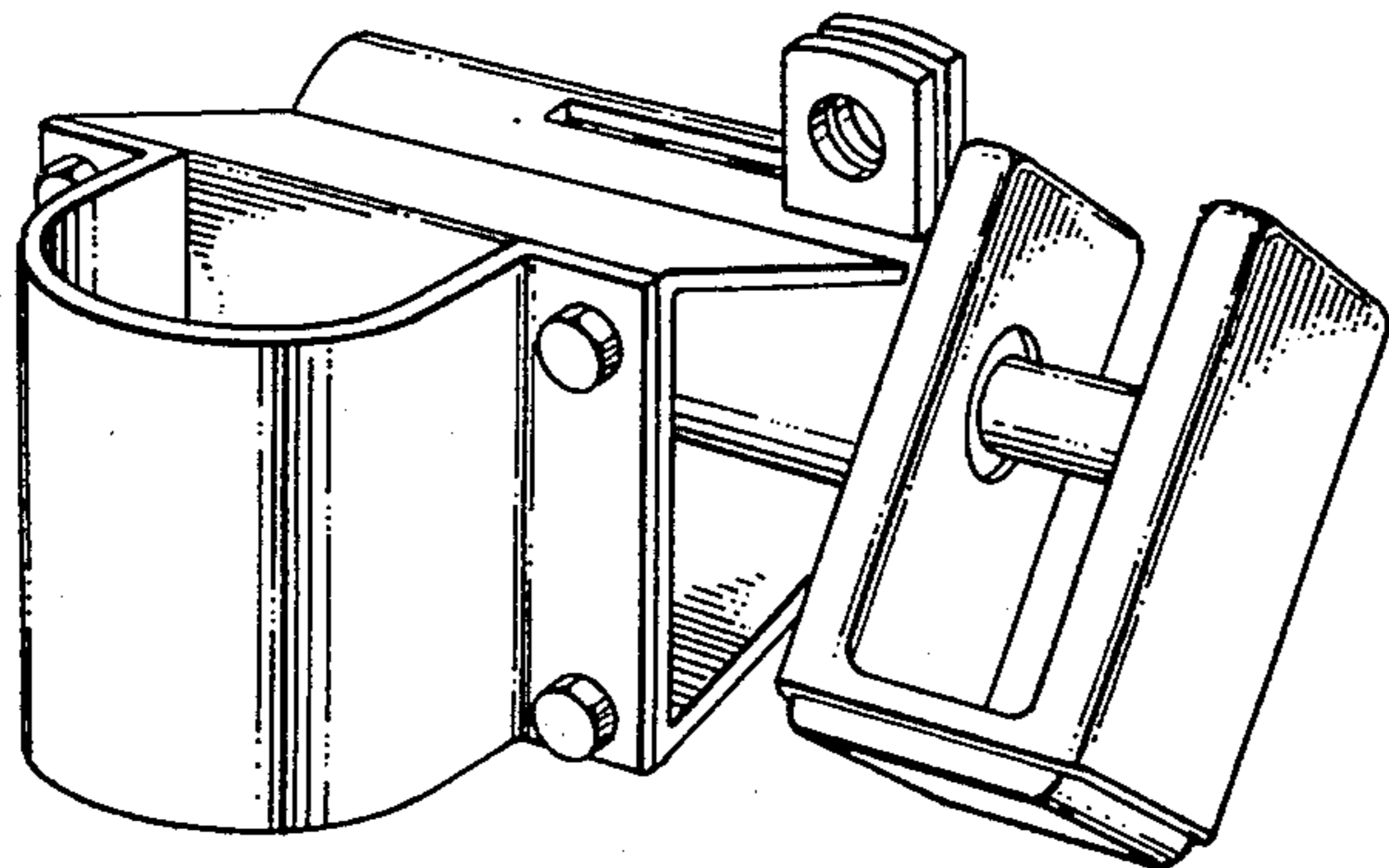


Fig. 1

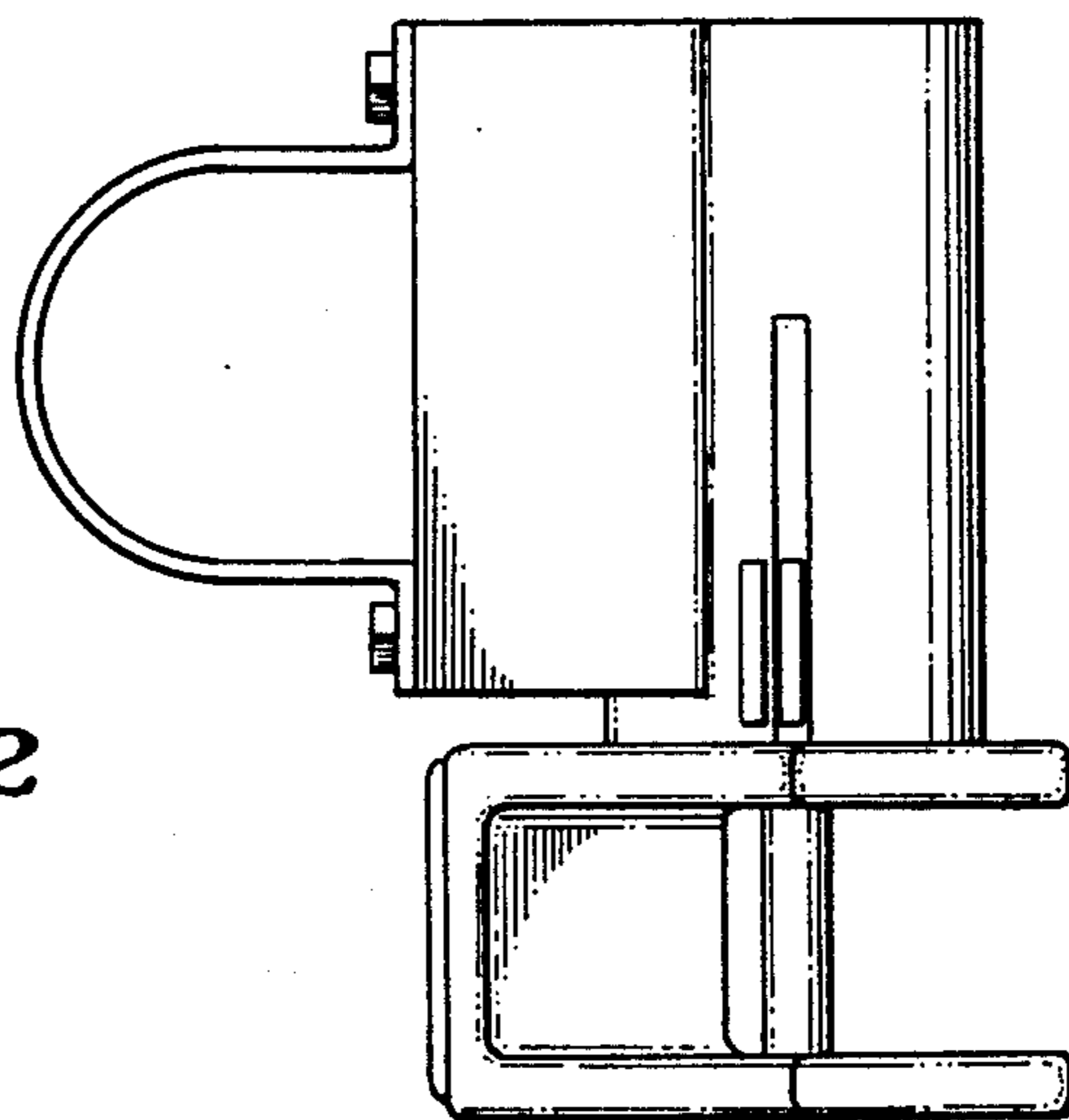


Fig. 2

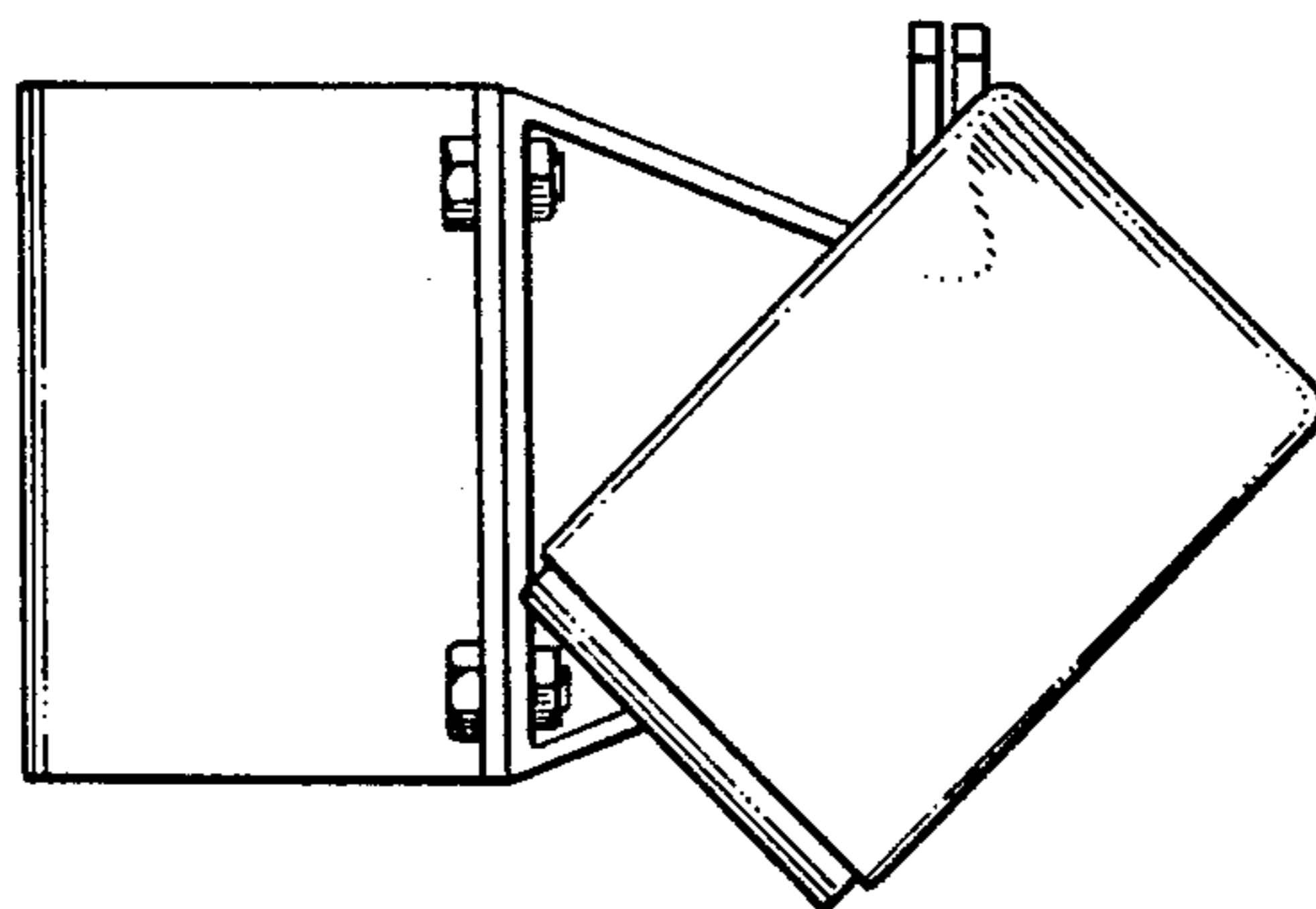


Fig. 3

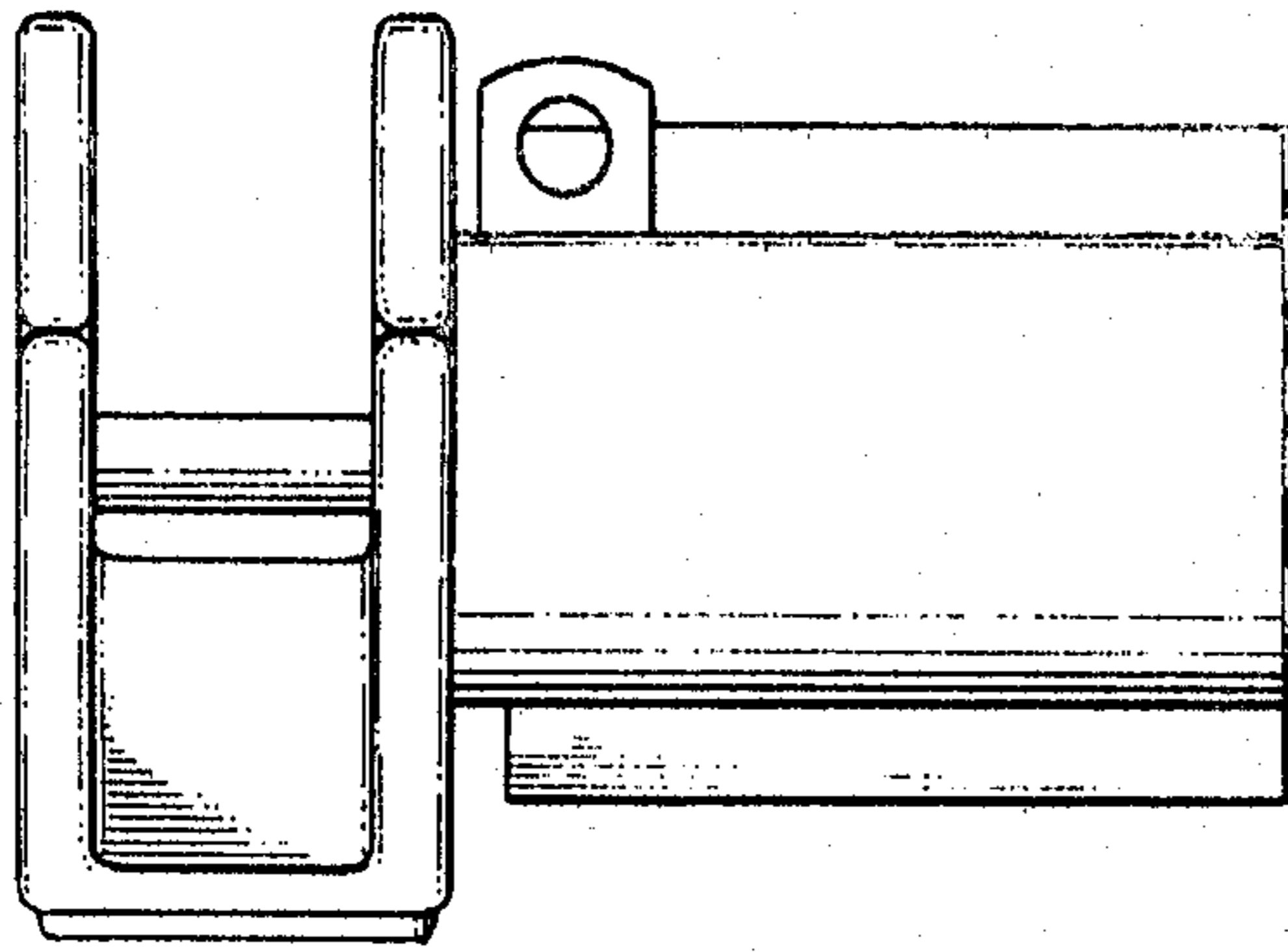


Fig. 4

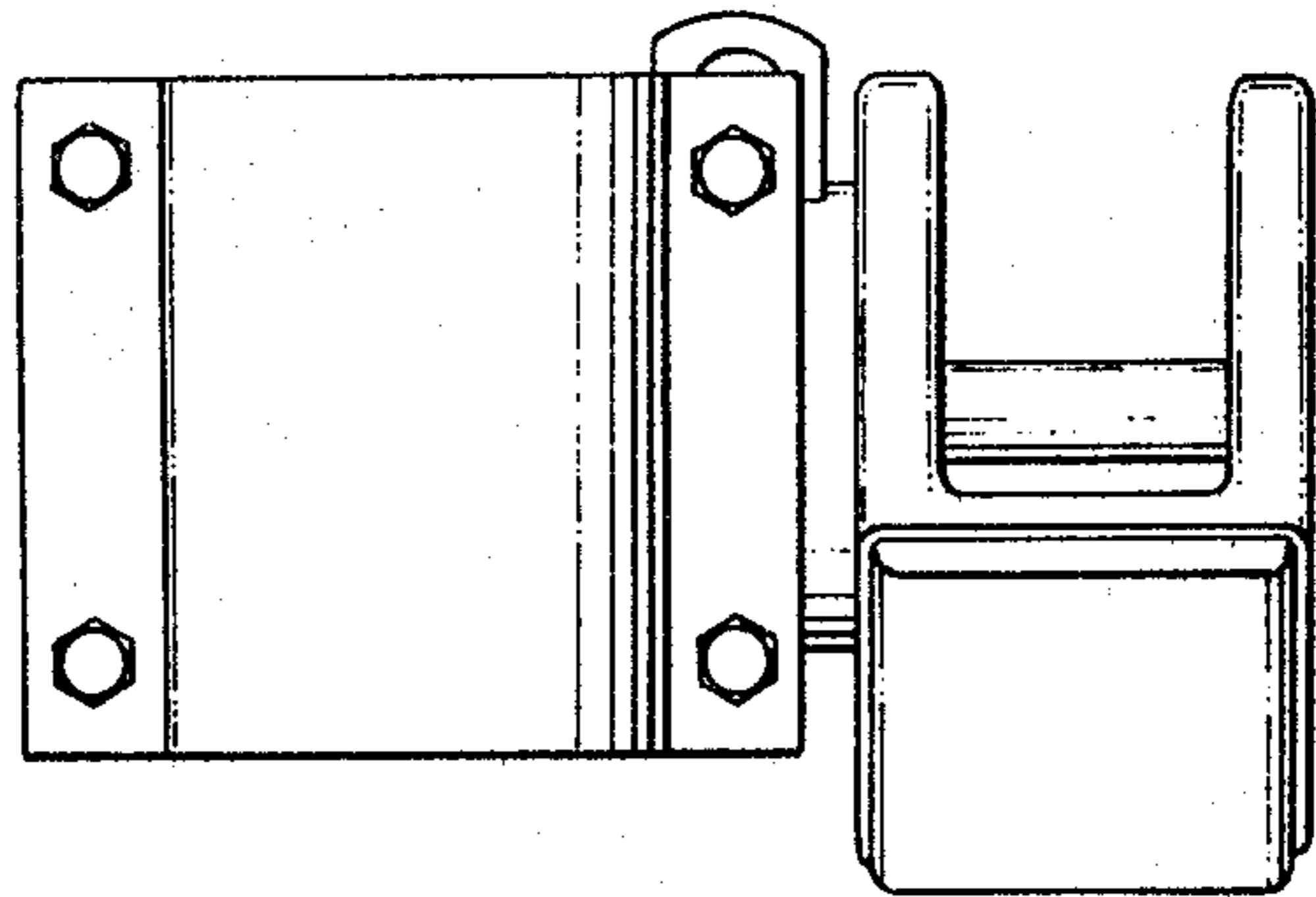


Fig. 6

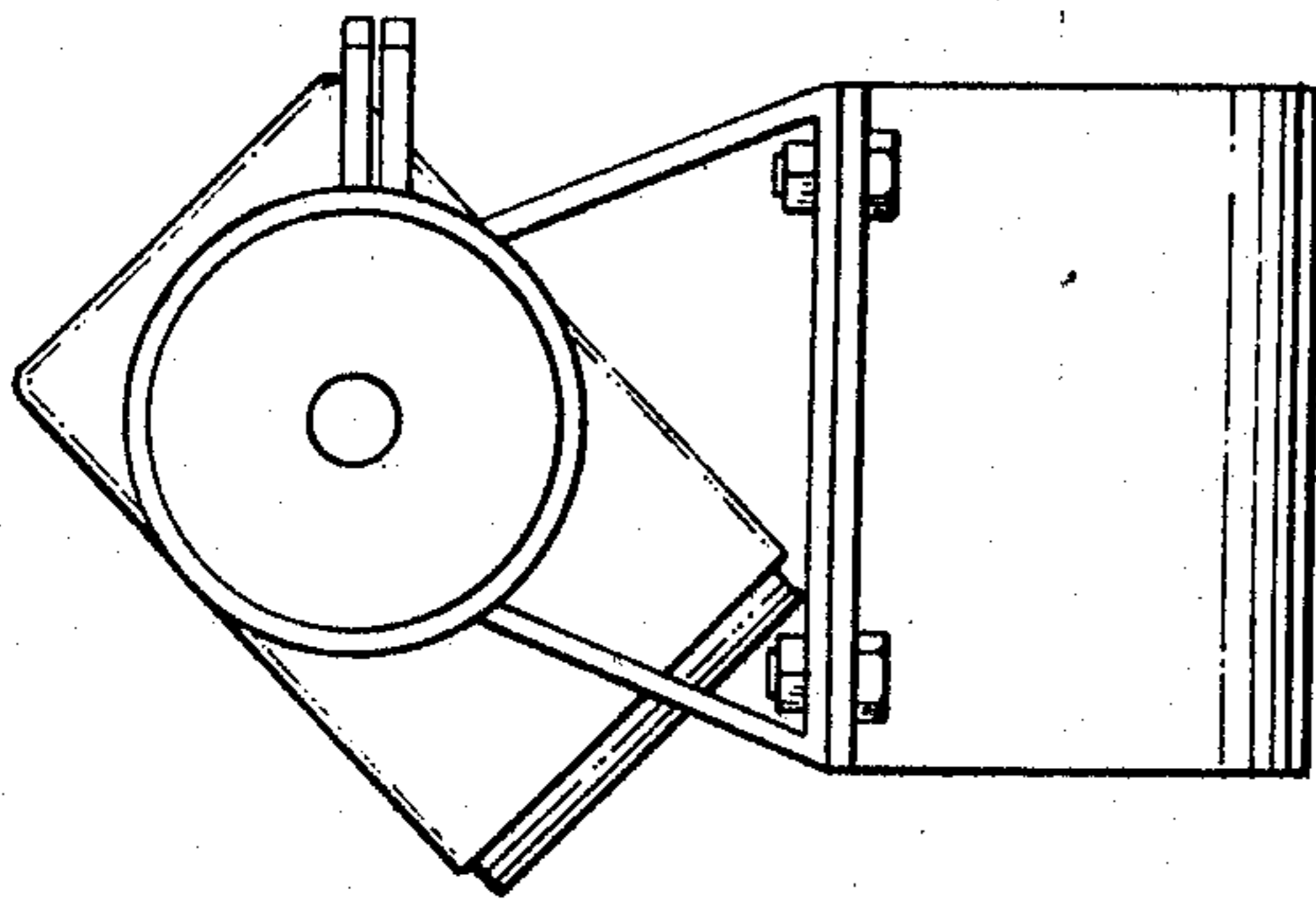


Fig. 5

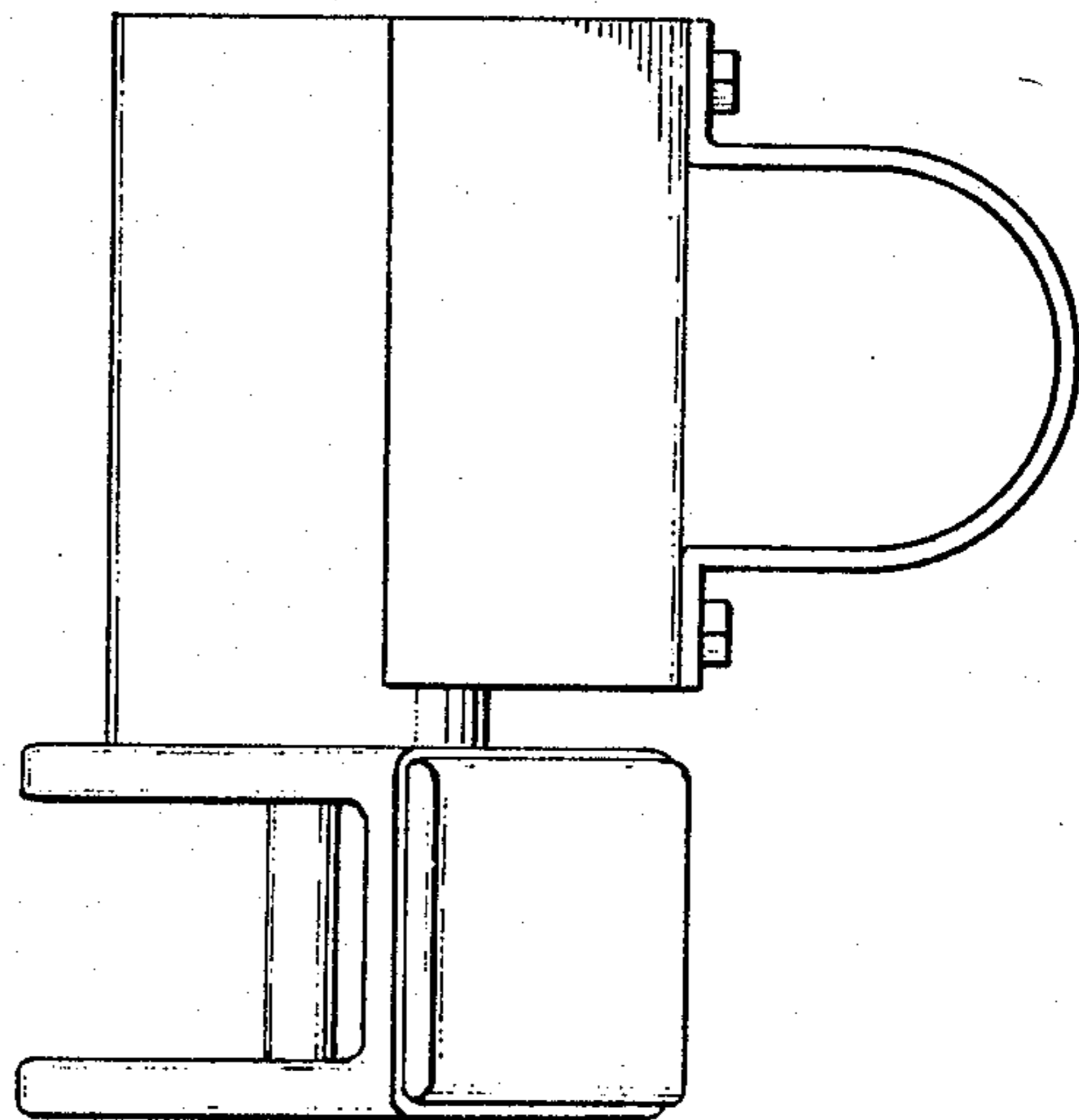


Fig. 7