

[54] HAND SAW GUIDE

[76] Inventor: Cornelis J. M. Beerens, 40-42 Berkshire Rd., North Sunshine, Victoria, Australia

[\*\*] Term: 14 Years

[21] Appl. No.: 231,945

[22] Filed: Feb. 5, 1981

[52] U.S. Cl. .... D8/71

[58] Field of Search ..... D8/71; 83/761, 762, 83/821, 829

[56] References Cited

U.S. PATENT DOCUMENTS

- D. 235,845 7/1975 Golisano .
- D. 235,967 7/1975 Hildebrandt .
- 4,325,278 4/1982 Beerens .

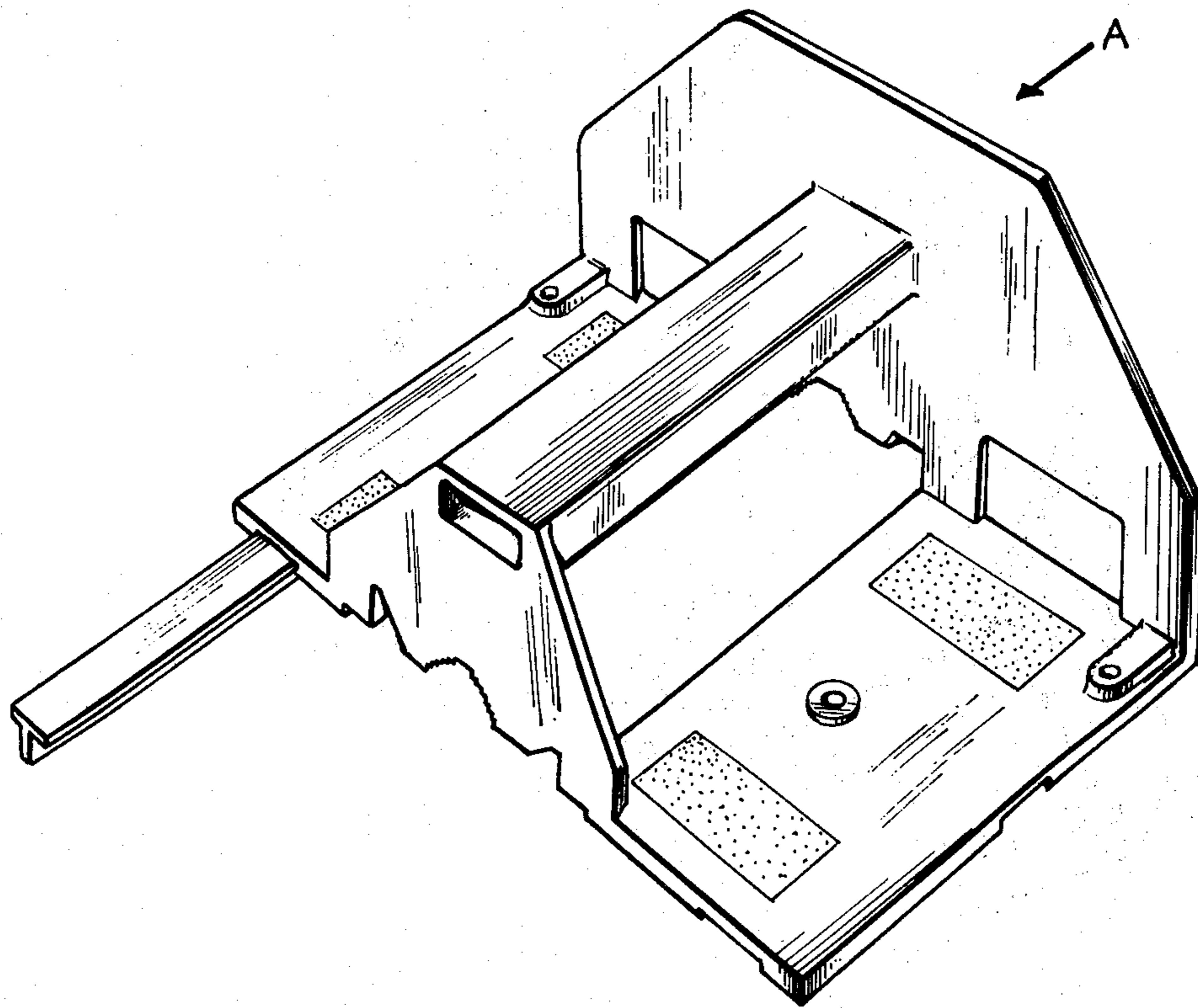
Primary Examiner—Alan P. Douglas  
Attorney, Agent, or Firm—Wigman & Cohen

[57] CLAIM

An ornamental design of a hand saw guide, as described and shown in the accompanying drawings.

DESCRIPTION

FIG. 1 is a perspective view from above;  
FIG. 2 is a partial view in the direction A in FIG. 1;  
FIG. 3 is an underneath view with the T-bar shown in FIG. 1 removed;  
FIGS. 4 to 7 are underneath views similar to that in FIG. 3 but with the T-bar in respective positions.



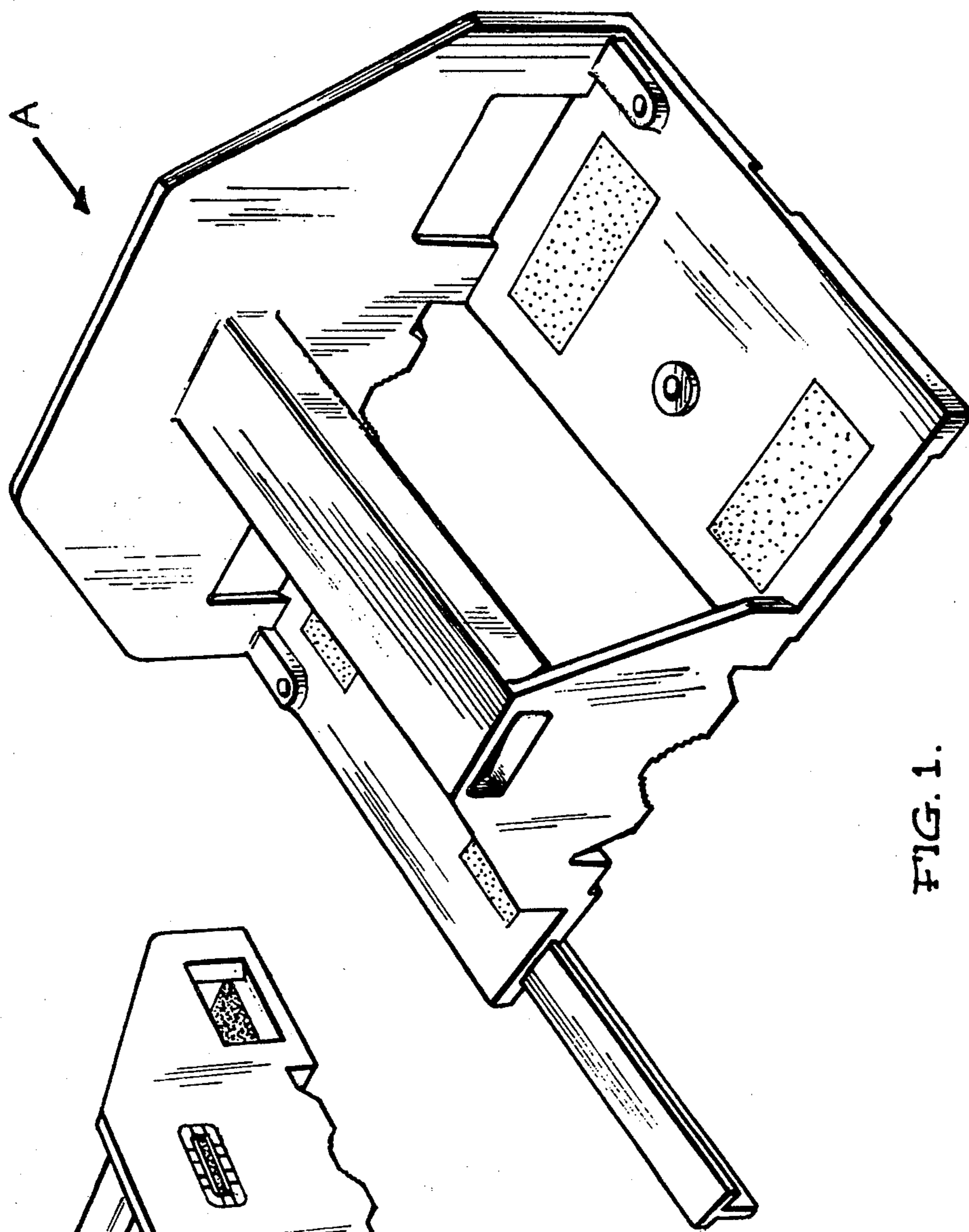


FIG. 1.

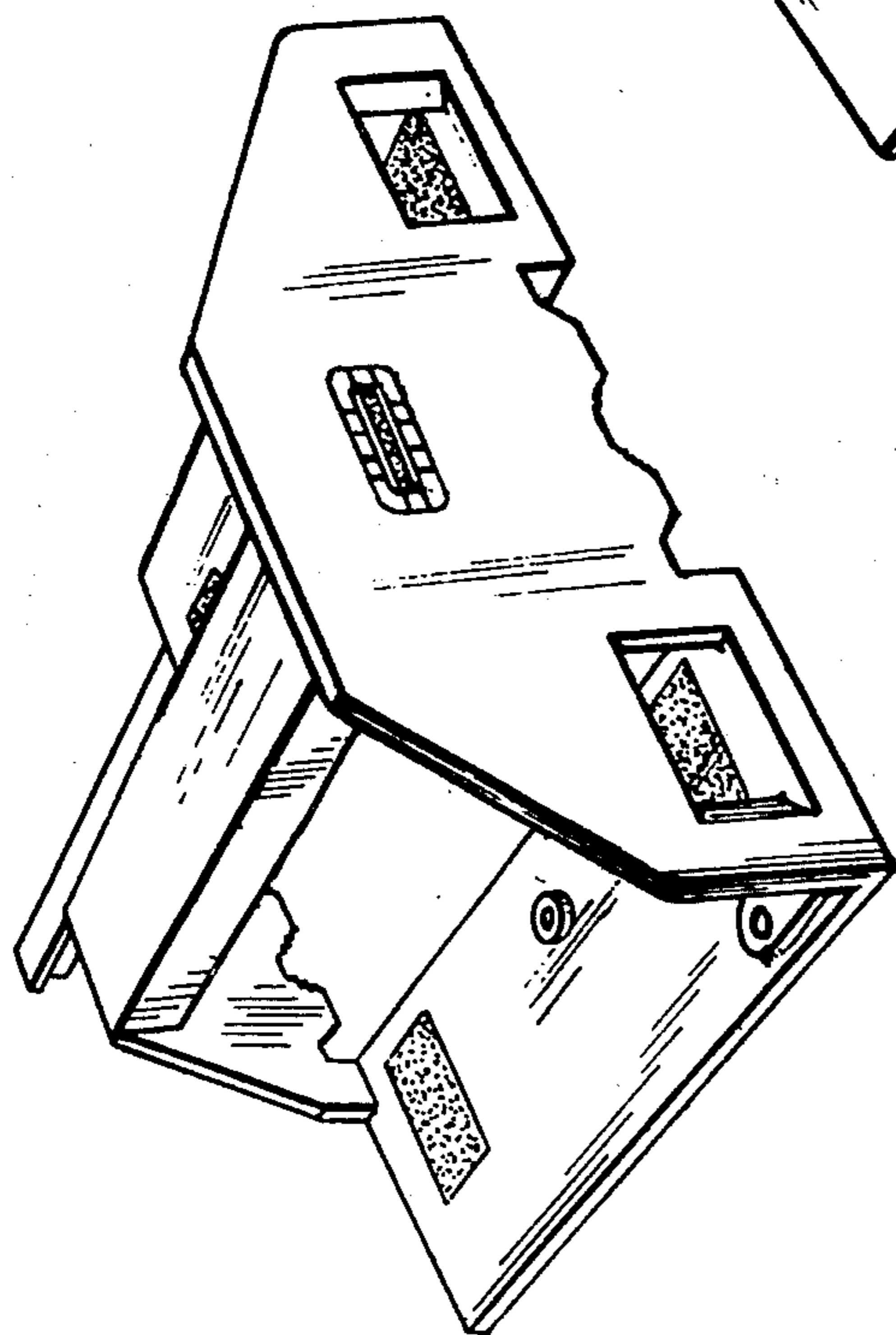


FIG. 2.

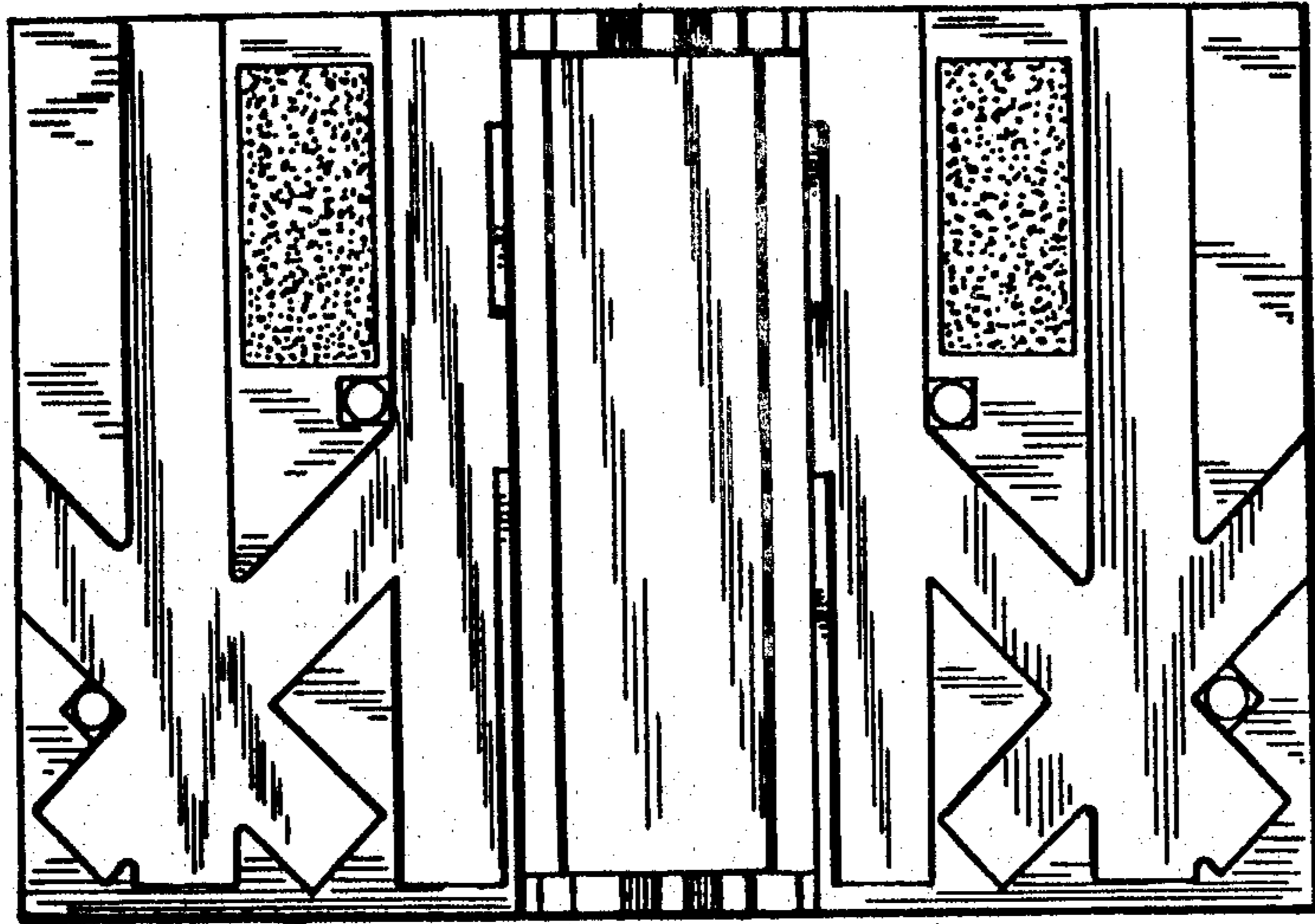


FIG. 3.

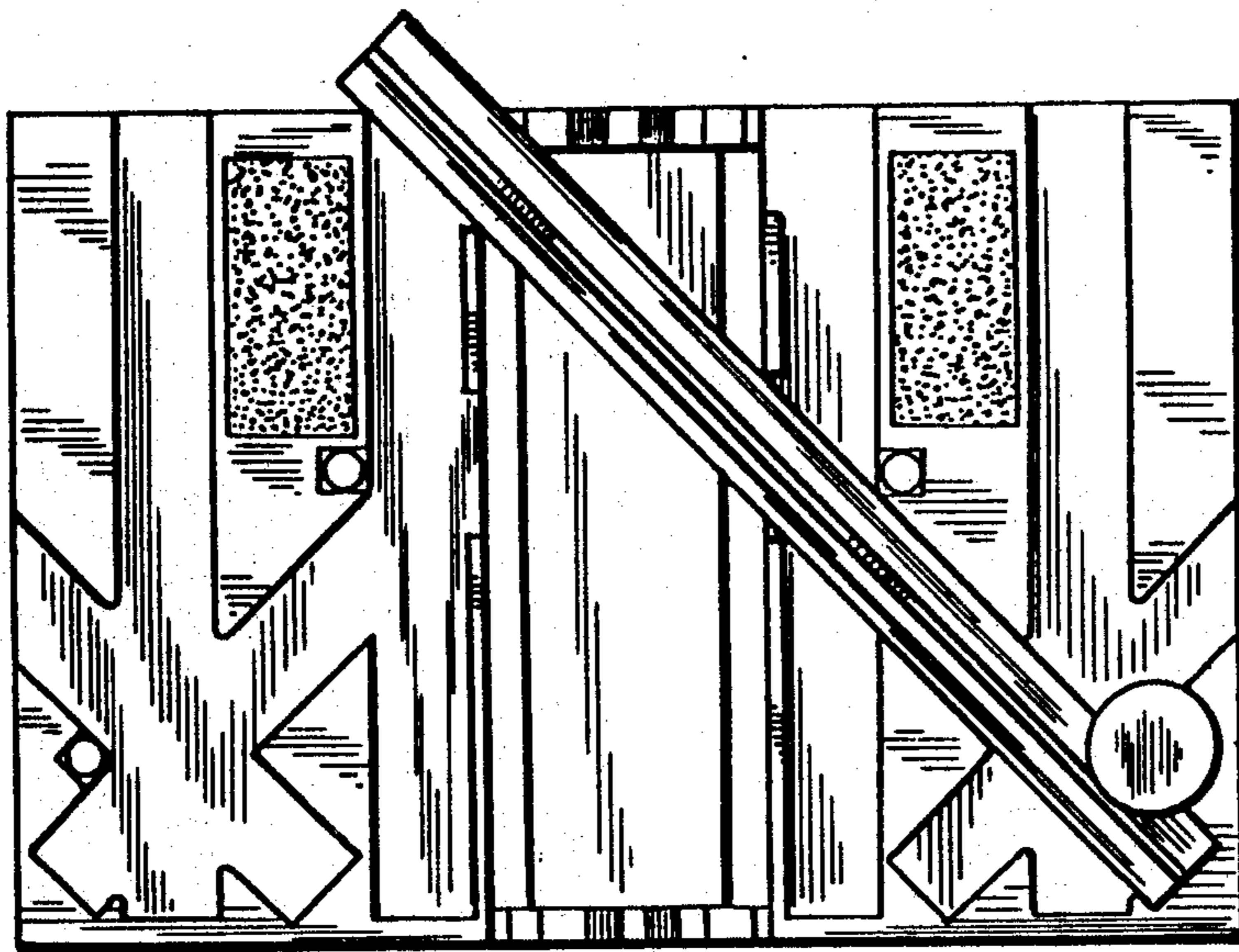


FIG. 4.

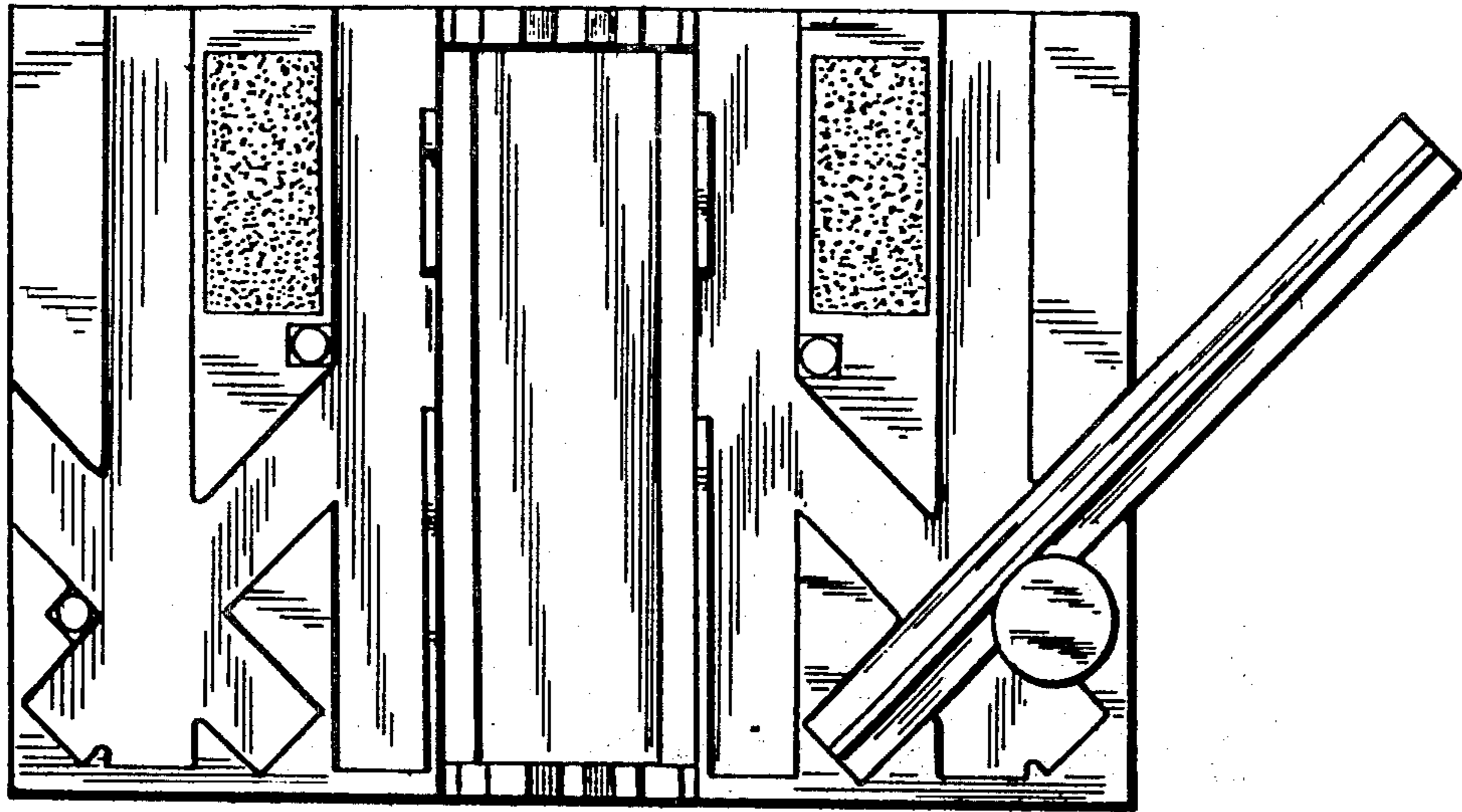


FIG. 5.

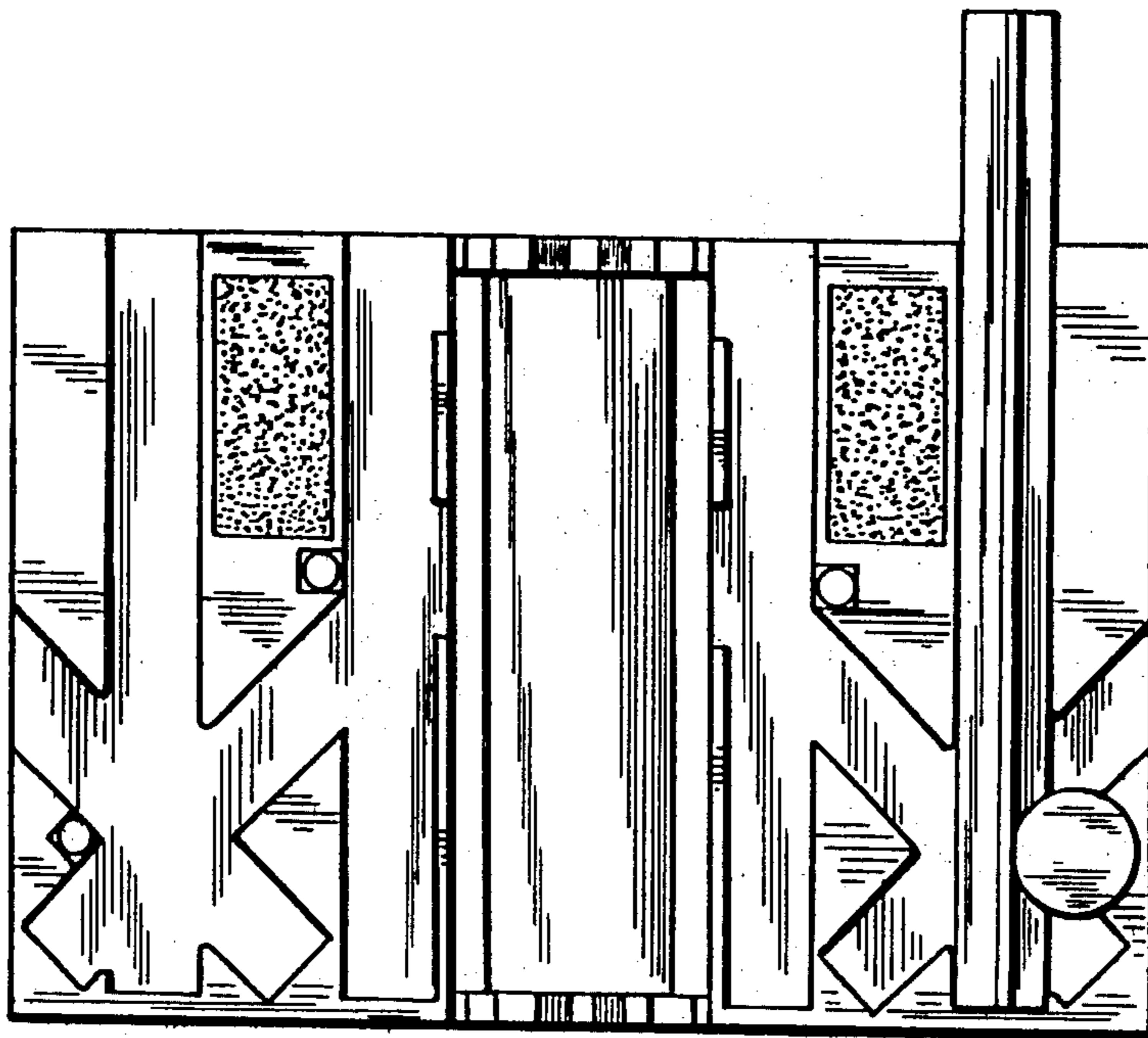


FIG. 6.

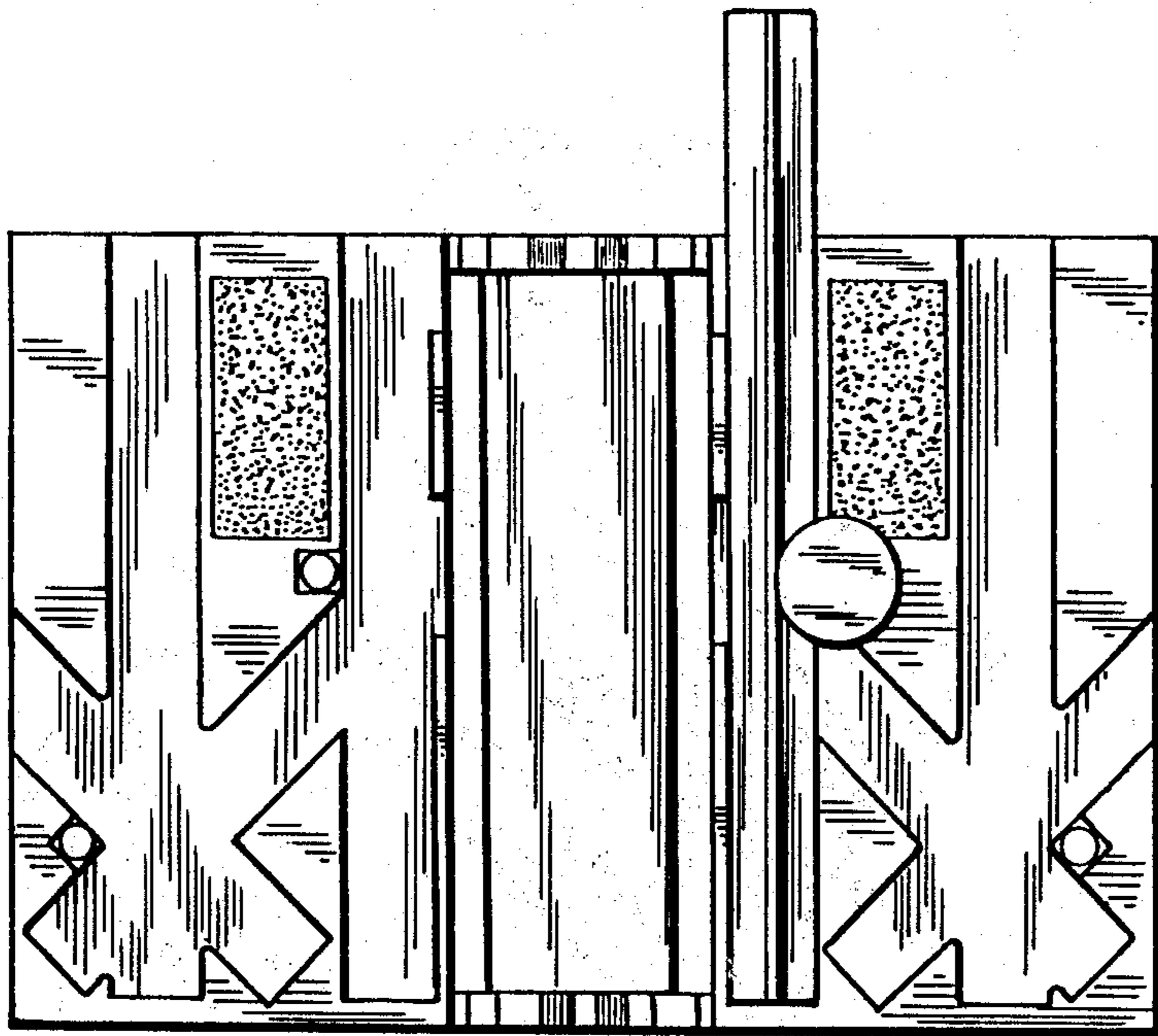


FIG. 7.

FIG. 8

