

[54] STORAGE BIN

[75] Inventor: William D. Taylor, Wooster, Ohio

[73] Assignee: Rubbermaid Incorporated, Wooster, Ohio

[**] Term: 14 Years

[21] Appl. No.: 352,341

[22] Filed: Feb. 25, 1982

[52] U.S. Cl. D6/510; D34/40

[58] Field of Search D3/35; D6/191; D34/40

[56] References Cited

U.S. PATENT DOCUMENTS

- D. 211,706 7/1968 Blomeyer D3/35
- D. 251,152 2/1979 Winther D3/35
- D. 265,768 8/1982 Howley D3/35 X
- D. 268,622 4/1983 Wolters et al. D34/40
- 3,170,594 2/1965 Nascher D34/40 X

OTHER PUBLICATIONS

"Gridworks", Capco Inc., Secaucus, N. J. Jul. 1979.

"Grid Systems Wire & Plastic", Robots Spa Viale Cal-dara 34, Milano, Italy-1980 (2 pages).

Primary Examiner—Bruce W. Dunkins
Attorney, Agent, or Firm—Renner, Kenner, Greive & Bobak

[57] CLAIM

The ornamental design for a storage bin, as shown and described.

DESCRIPTION

FIG. 1 is a perspective view of a storage bin embodying my new design.

FIG. 2 is an enlarged plan view of said bin.

FIG. 3 is a side view thereof.

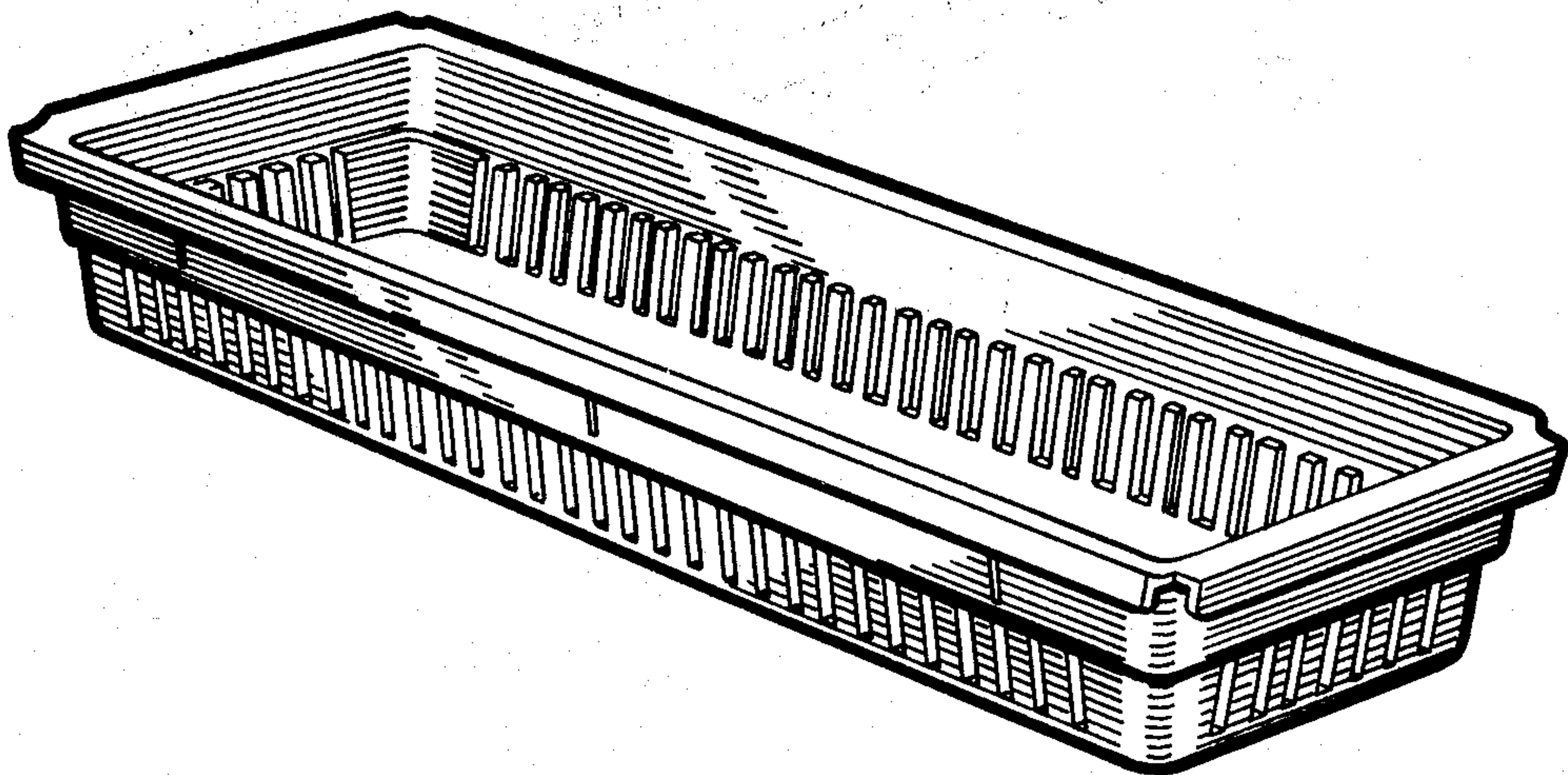
FIG. 4 is an enlarged end view thereof.

FIG. 5 is a cross-sectional view thereof.

FIG. 6 is a partial sectional view thereof taken on line 6—6 of FIG. 2.

The side opposite to that shown in FIG. 3 is a mirror image thereof.

The end opposite to that shown in FIG. 4 is a mirror image thereof.



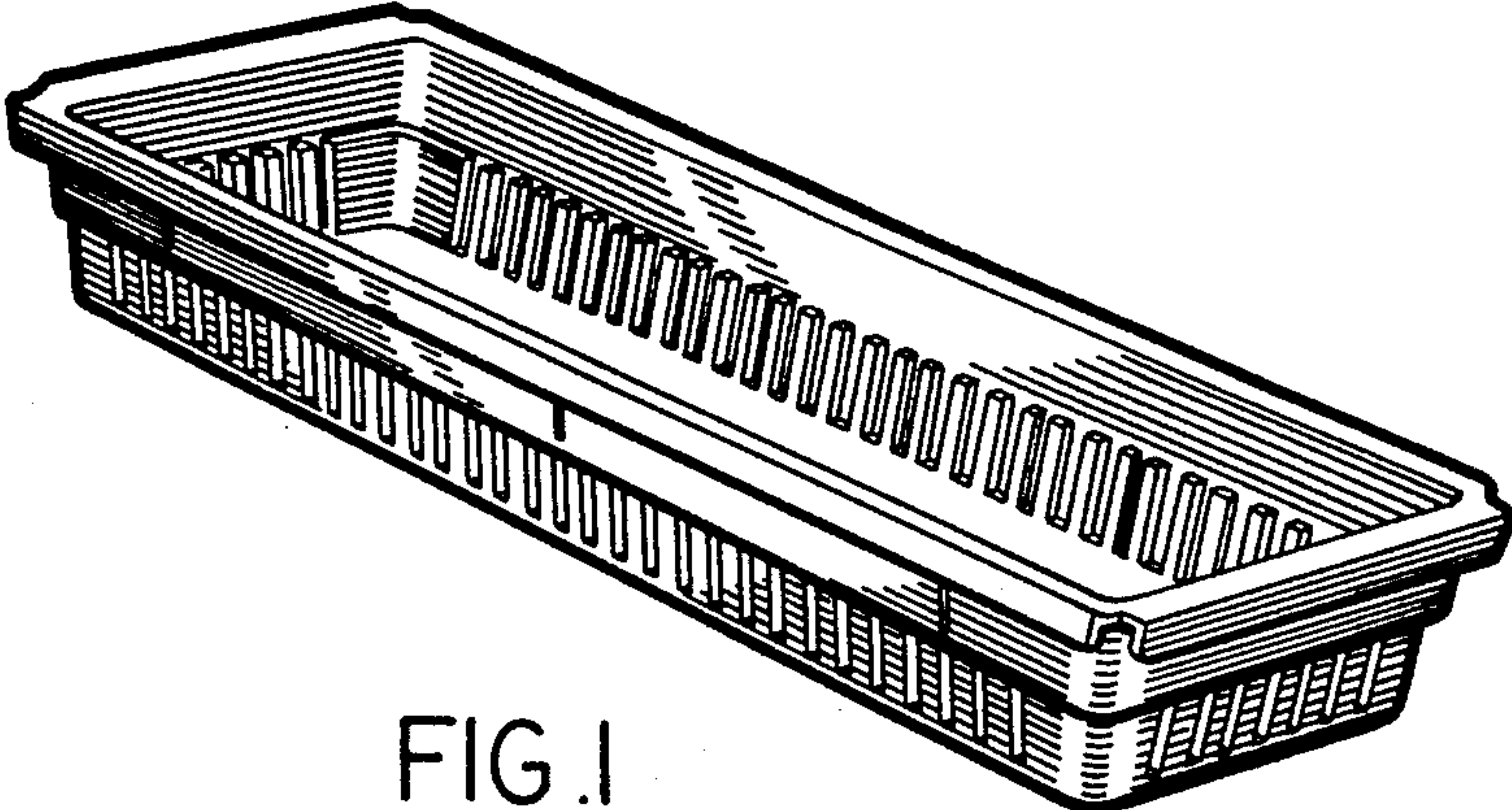


FIG. 1

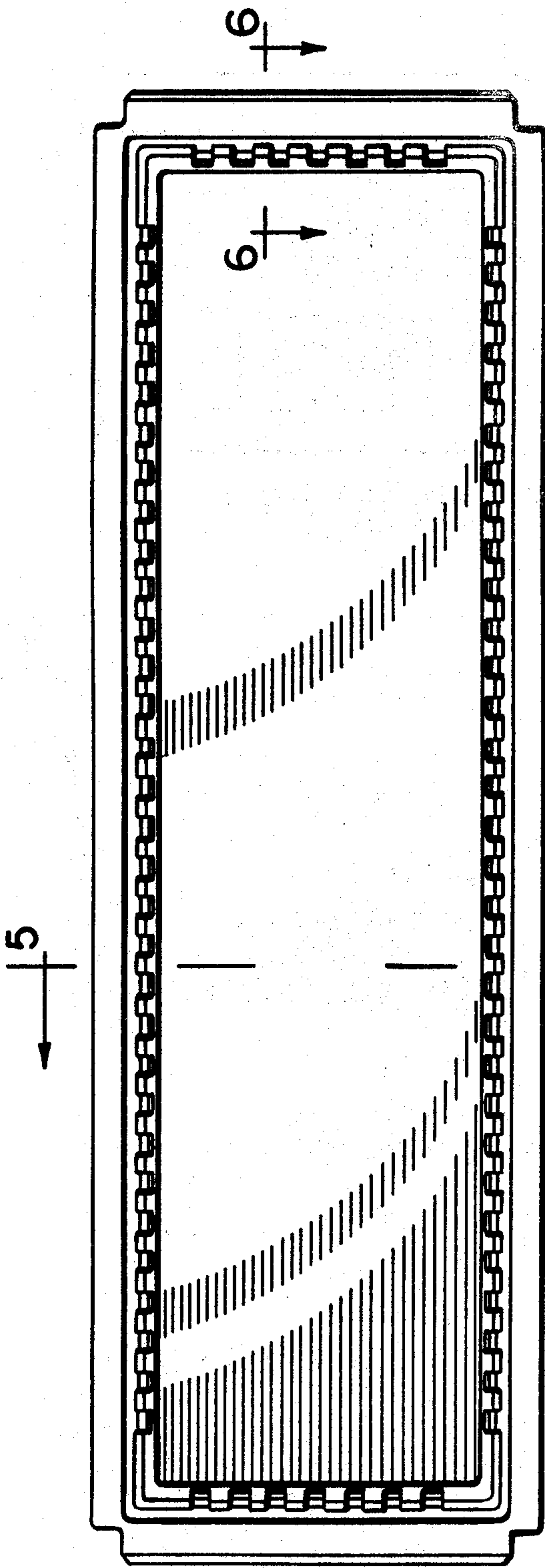


FIG. 2

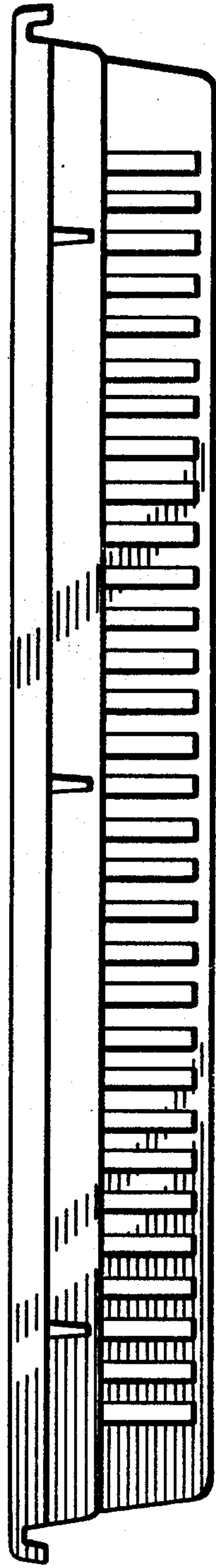


FIG. 3

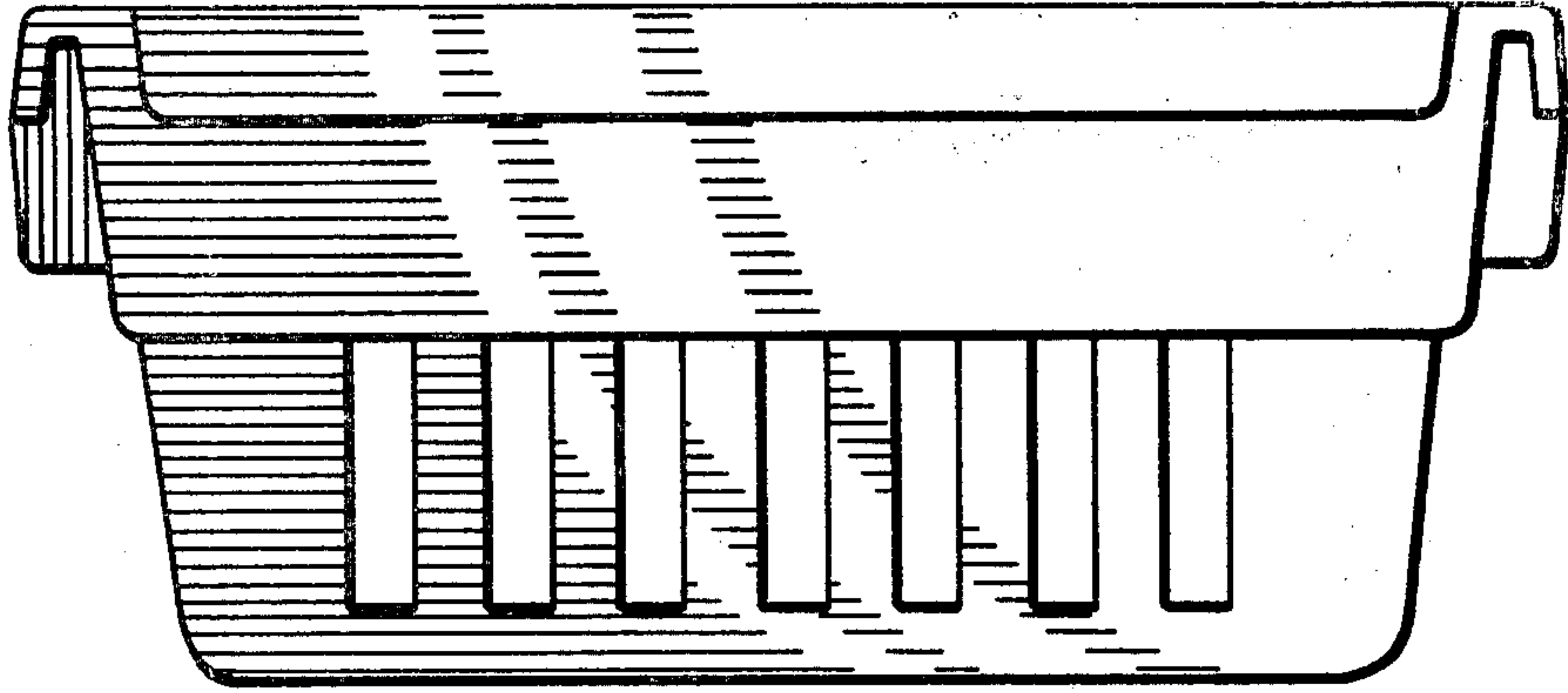


FIG. 4

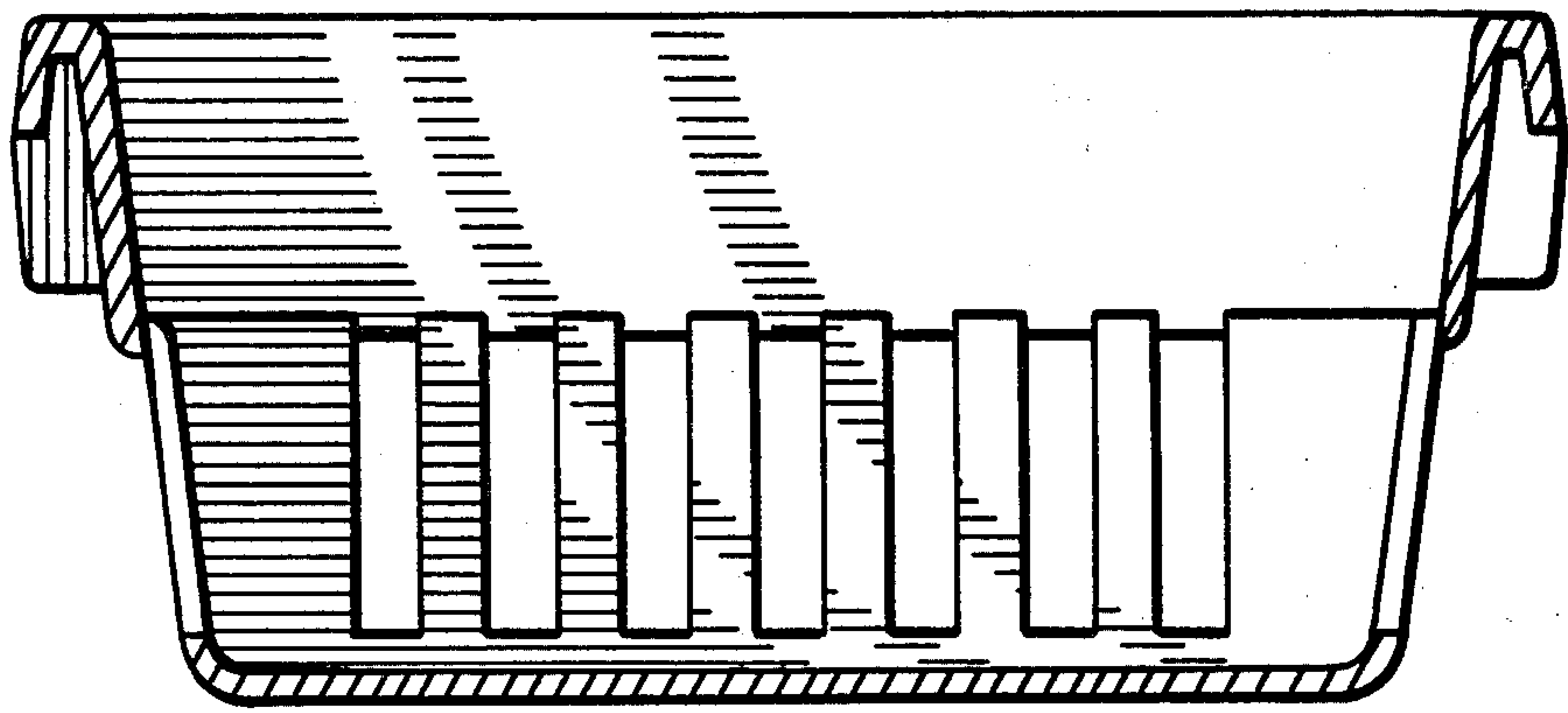


FIG. 5

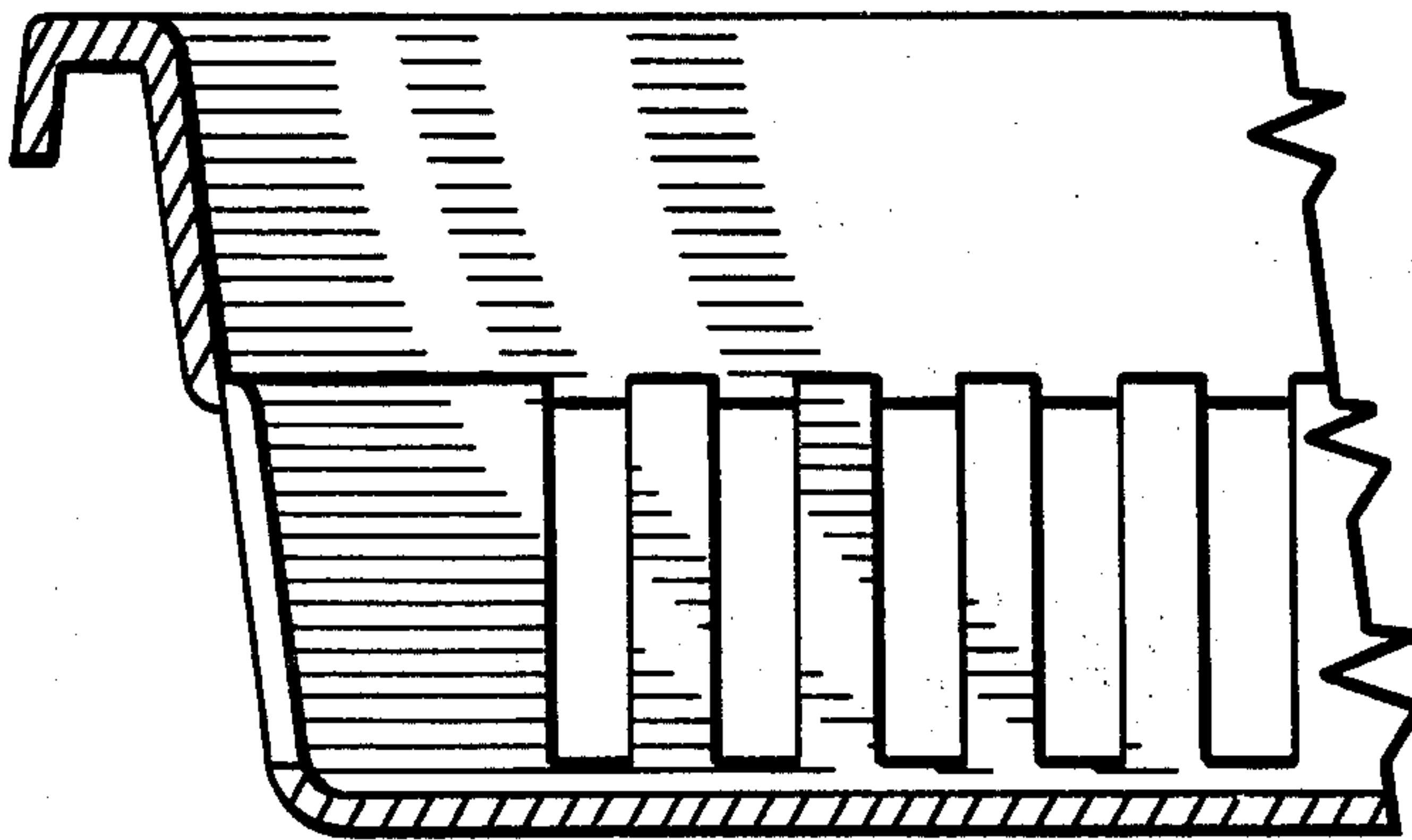


FIG. 6